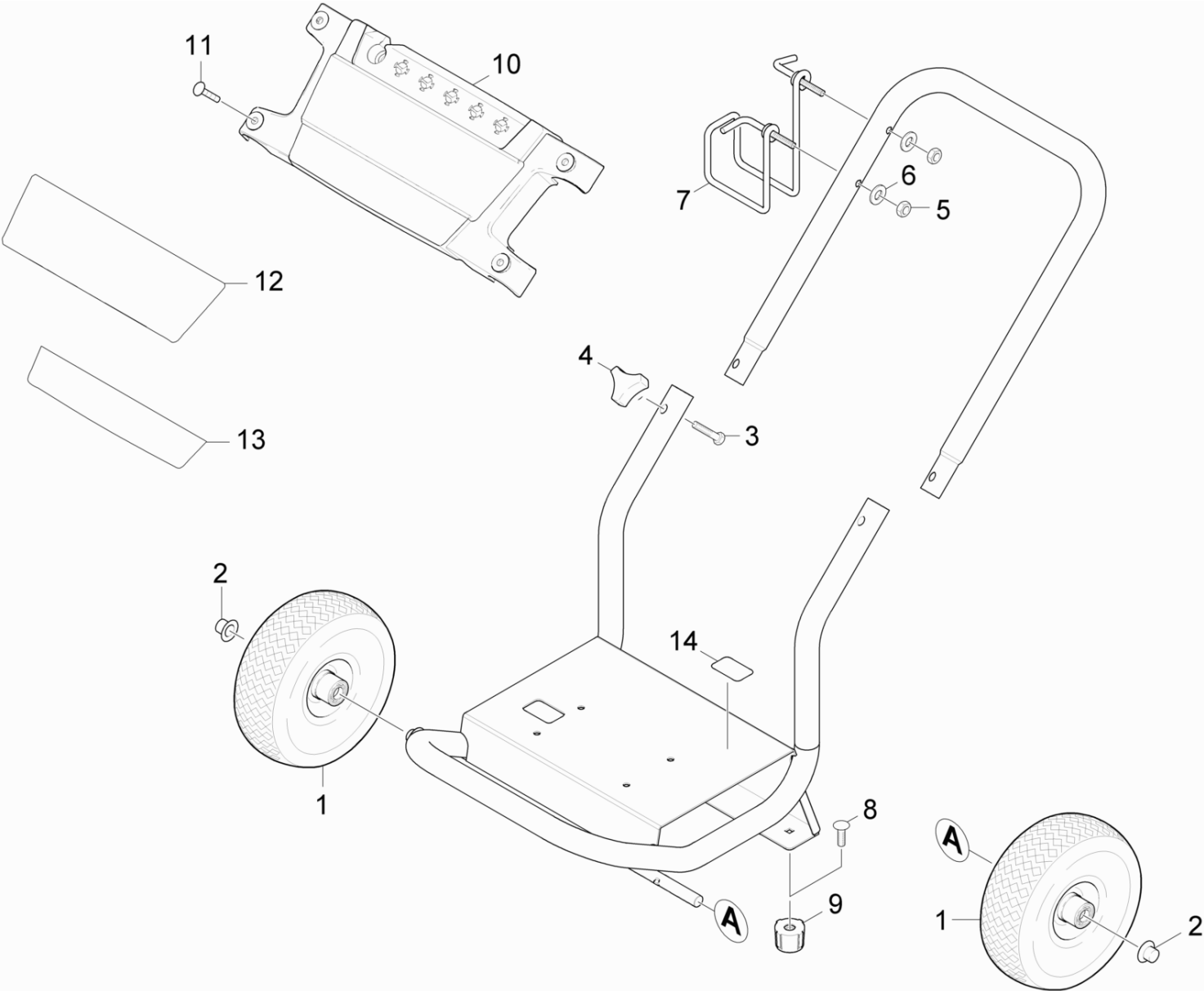


Spare parts list
(9.139-203.0) Spare parts list G 3050

Spare parts list G 3050 (9.139-203.0)	6
10 Frame.....	7
20 Pump set.....	9
21 Cylinder head.....	10
4 Valve (3 Stück) (2.884-916.0).....	12
14 Nozzle insert only for replacement (4.769-034.0).....	14
22 Piston.....	16
23 Cylinder head.....	18
9 Spare part set chemistry (2.883-862.0).....	20
10 Drain plug only for replacement (4.132-007.0).....	21
11 Valve (3 Stück) (2.884-916.0).....	23
24 PISTON (8.921-431.0).....	25
30 Motor.....	27
31 Motor.....	28
32 Transmission.....	30
33 TRANSMISSION.....	32
40 Accessories.....	34

Spare parts list G 3050 (9.139-203.0)

Pos	Name	Qty.	Unit
10	Frame	1.000	ST
20	Pump set	1.000	ST
30	Motor	1.000	ST
40	Accessories	1.000	ST

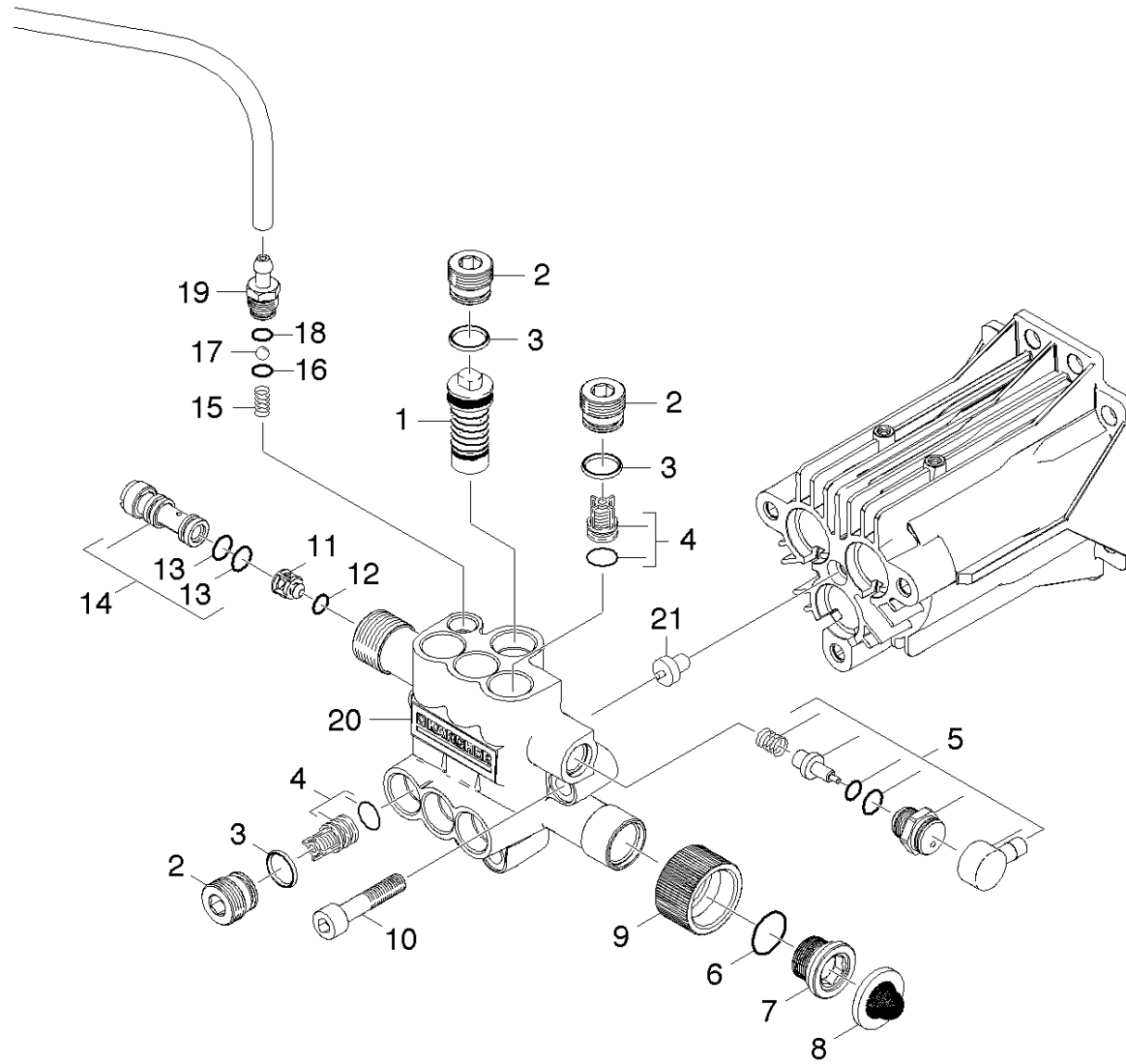


10 Frame

Pos	Material #	Name	Qty.	Unit	from ser.nr.	up to ser.nr.	var. information	Footnote text
1	9.802-270.0	WHEEL & TIRE ASSY, 10" STEEL RIM W/TUBE	2.000	ST	0000000000	0000000000		ARTICLE ONLY AVAILABLE AT KNA
1	9.802-270.0	WHEEL & TIRE ASSY, 10" STEEL RIM W/TUBE	2.000	ST	102721		HD 2.5/30 CS	
1	9.802-270.0	WHEEL & TIRE ASSY, 10" STEEL RIM W/TUBE	2.000	ST	103220		G 3050 OH *KAP	
1	9.802-270.0	WHEEL & TIRE ASSY, 10" STEEL RIM W/TUBE	2.000	ST	104041		G 3050 OH AUS	
2	9.182-506.0	CAP BLACK PLASTIC,5/8"FASTENER	2.000	ST	0000000000	0000000000		ARTICLE ONLY AVAILABLE AT KNA
3	9.196-307.0	1/4-20 x 1-1/2 GR 2 HEX BOLT ZINC	2.000	ST	0000000000	0000000000		ARTICLE ONLY AVAILABLE AT KNA
4	9.182-353.0	KNOB 1/4"-20,3PT. STAR	2.000	ST	0000000000	0000000000		ARTICLE ONLY AVAILABLE AT KNA
5	9.802-786.0	*NUT, 5/16, HEX, NC	2.000	ST	0000000000	0000000000		ARTICLE ONLY AVAILABLE AT KNA
6	9.198-003.0	5/16 INTERNAL L/W .332 ID X .620 OD ZINC	2.000	ST	0000000000	0000000000		ARTICLE ONLY AVAILABLE AT KNA
7	9.142-014.0	HANGER RT SIDE	1.000	ST	0000000000	0000000000		ARTICLE ONLY AVAILABLE AT KNA
8	9.196-052.0	Hex Flange Cap Screw 5/16-18 x 3/4"	2.000	ST	102721		HD 2.5/30 CS	ARTICLE ONLY AVAILABLE AT KNA
8	9.196-052.0	Hex Flange Cap Screw 5/16-18 x 3/4"	1.000	ST	0000000000	0000000000		ARTICLE ONLY AVAILABLE AT KNA
8	9.196-052.0	Hex Flange Cap Screw 5/16-18 x 3/4"	2.000	ST	104041		G 3050 OH AUS	
8	9.196-052.0	Hex Flange Cap Screw 5/16-18 x 3/4"	2.000	ST	103220		G 3050 *KAP	
9	9.183-411.0	Rubber buffer	2.000	ST	104041		G 3050 OH AUS	
9	9.183-411.0	Rubber buffer	2.000	ST	102721		HD 2.5/30 CS	
9	9.183-411.0	Rubber buffer	2.000	ST	103220		G 3050 *KAP	
9	9.183-411.0	Rubber buffer	1.000	ST	0000000000	0000000000		ARTICLE ONLY AVAILABLE AT KNA
10	9.134-022.0	Name plate	1.000	ST				ARTICLE ONLY AVAILABLE AT KNA
11	9.196-049.0	Nylon Rivet	4.000	ST				ARTICLE ONLY AVAILABLE AT KNA
12		TOP PLATE LABEL-5 NOZZLE	1.000	ST			G 3050 OHC Model	ARTICLE ONLY AVAILABLE AT KNA
12	9.138-383.0	Universal Top Plate Label-5 Nozzles	1.000	ST			G 3025 OH & G 3050 OH/AUS/KAP Models	ARTICLE ONLY AVAILABLE AT KNA
13	9.138-398.0	3000 PSI-Universal Plate Label	1.000	ST			G 3025 OH & G 3050 OH/KAP Model	ARTICLE ONLY AVAILABLE AT KNA
13		3000 PSI-UNIVERSAL PLATE LABEL - AUS	1.000	ST			G 3050 OH AUS	
14	5.387-620.0	Warning sticker-Prevent from freezing	1.000	ST			G 3025 OH & G 3050 OH/AUS/KAP Models	ARTICLE ONLY AVAILABLE AT KNA

20 Pump set

Pos	Material #	Name	Qty.	Unit	var. information	Footnote text
21		Cylinder head	1.000	ST	VERSION 1	ARTICLE ONLY AVAILABLE AT KNA
22		Piston	1.000	ST	VERSION 1	ARTICLE ONLY AVAILABLE AT KNA
23		Cylinder head	1.000	ST	VERSION 2	ARTICLE ONLY AVAILABLE AT KNA
24	8.921-431.0	PISTON	1.000	ST	VERSION 2	ARTICLE ONLY AVAILABLE AT KNA

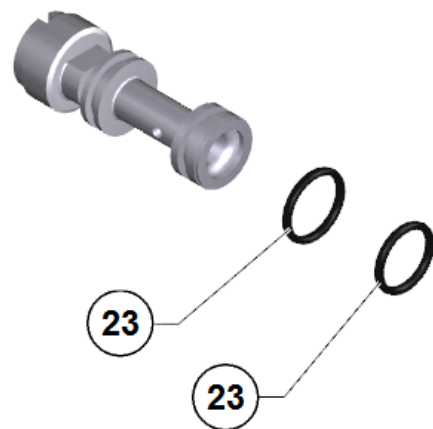


21 Cylinder head

ET/VT (spare/wear parts)	Pos	Material #	Name	Qty.	Unit	Footnote text
	1	9.175-007.0	Unloader Assembly	1.000	ST	
	2	9.154-036.0	M18 PIPE PLUG	7.000	ST	
X-X	3	6.362-480.0	O-Ring seal 12,42x 1,78	9.000	ST	
X-X	4	2.884-916.0	Valve (3 Stück)	2.000	ST	3 QTY.
	5	9.139-194.0	SPARE PARTS LIST-SET2	1.000	ST	
	6	6.362-634.0	O-Ring seal 15,6 x 1,78-NBR 70	1.000	ST	
X-X	7	9.134-019.0	MALE ADAPTER	1.000	ST	
X	8	9.181-005.0	FILTER SEAL-HOSE CONNECTOR-	1.000	ST	
	9	9.155-013.0	FEMALE HOSE CONNECTOR	1.000	ST	
	10	7.306-075.0	Cylinder head screw M 8x 40-8.8-A2E ISO	3.000	ST	
X-X	11	5.584-091.0	Valve pin check valve	1.000	ST	
	12	6.362-851.0	O-Ring seal 4 x 2 NBR 90	1.000	ST	
X-X	13	6.362-384.0	O-Ring seal 9x1,5 - NBR 70	1.000	ST	
X-X	14	4.769-034.0	Nozzle insert only for replacement	1.000	ST	
	15	5.332-258.0	Helical spring	1.000	ST	
X-X	16	6.362-175.0	O-Ring seal 5,28x 1,78	1.000	ST	
	17	7.401-908.0	Sphere 7 G300 -1.4301 DIN 5401	1.000	ST	
	18	6.362-451.0	O-Ring seal 8,0 x 1,0	1.000	ST	
	19	5.443-448.0	Nipple chemistry	1.000	ST	
	20	9.135-004.0	CYLINDER HEAD-MACHINED	1.000	ST	
	21	9.177-305.0	MOLDED RUBBER END CAP	1.000	ST	

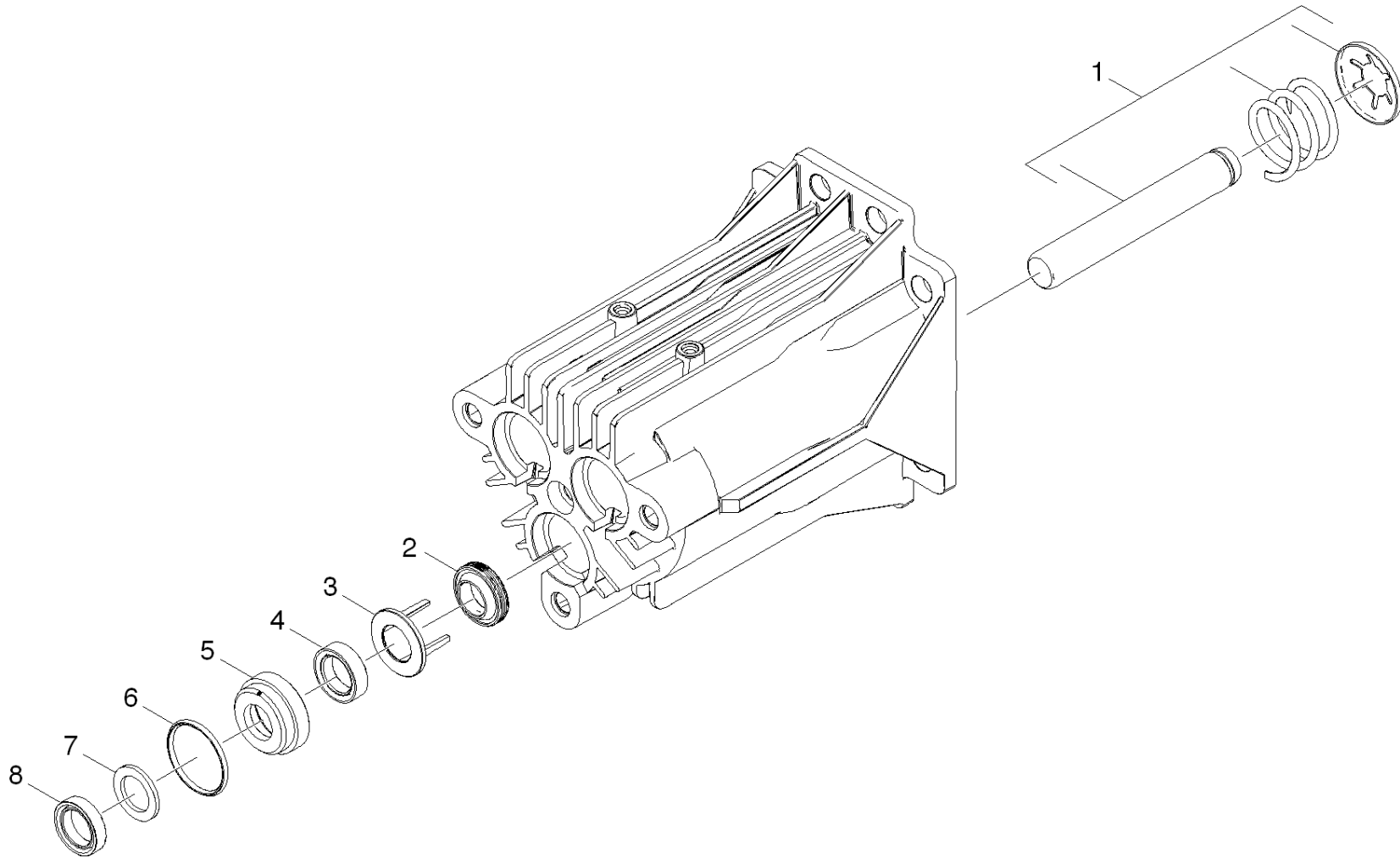
4 Valve (3 Stück) (2.884-916.0)

ET/VT (spare/wear parts)	Pos	Material #	Name	Qty.	Unit
X-X	15	6.362-077.0	O-Ring seal 10 x 2,2 NBR 70	1.000	ST



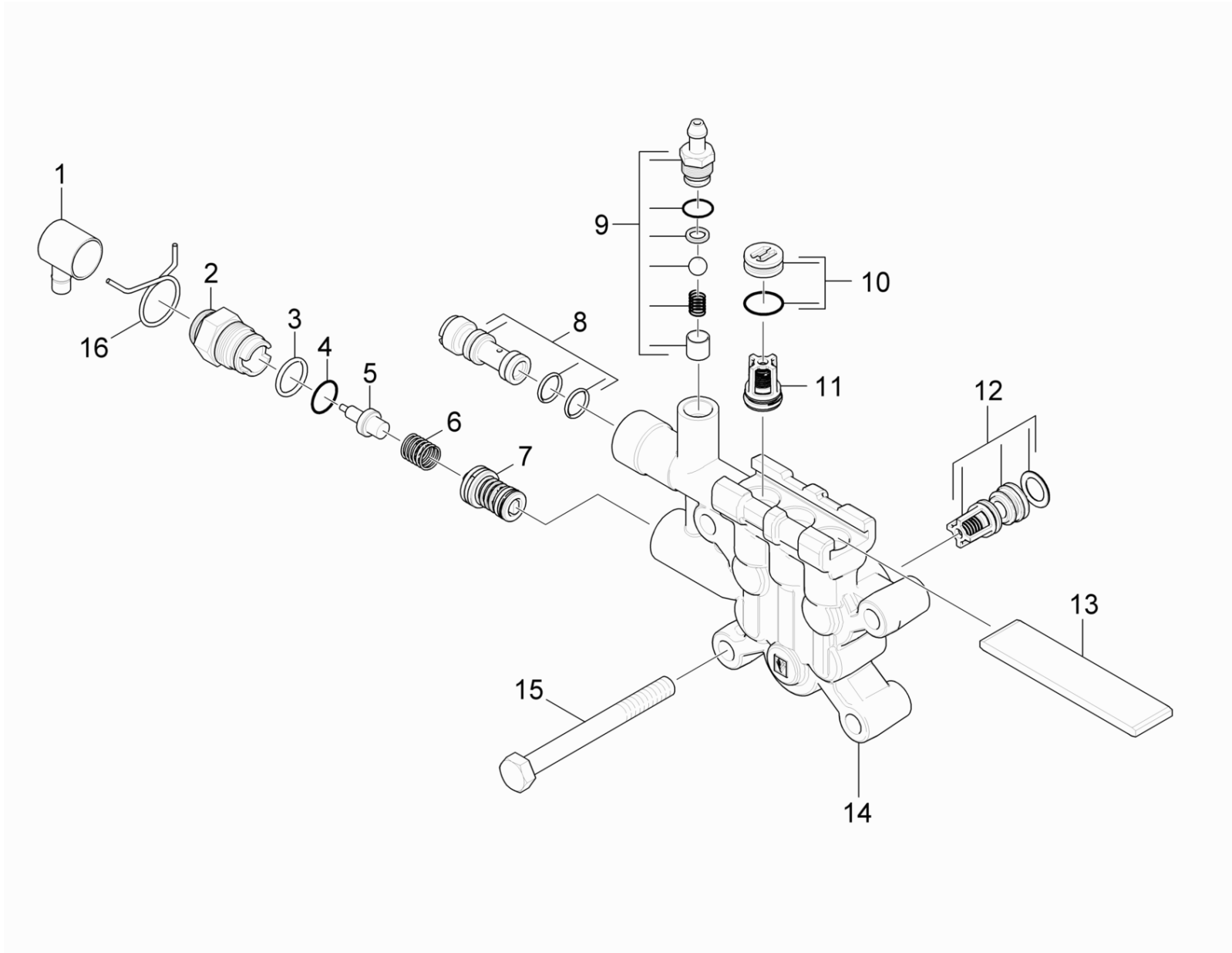
14 Nozzle insert only for replacement (4.769-034.0)

ET/VT (spare/wear parts)	Pos	Material #	Name	Qty.	Unit
X-X	23	6.362-384.0	O-Ring seal 9x1,5 - NBR 70	2.000	ST



22 Piston

ET/VT (spare/wear parts)	Pos	Material #	Name	Qty.	Unit
	1	9.139-193.0	KIT,SPARE PARTS LIST-SET1, PISTON/SPRING	3.000	ST
X-X	2	6.365-393.0	Oil sealing 12x20x4/6	3.000	ST
	3	9.134-016.0	SPACER-OIL SEAL & SEAL HSG.	3.000	ST
X-X	4	6.363-058.0	Grooved ring 12x18x5 (90Shore)	3.000	ST
	5	9.155-011.0	HOUSING-LOW PRESSURE SEAL	3.000	ST
X-X	6	6.362-833.0	O-Ring seal 21,5 x 1,78	3.000	ST
X	7	9.177-310.0	BACK RING-HIGH PRESSURE SEAL-	3.000	ST
X-X	8	9.177-301.0	HIGH PRESSURE SEAL	3.000	ST



23 Cylinder head

ET/VT (spare/wear parts)	Pos	Material #	Name	Qty.	Unit	Footnote text
	1	8.752-076.0	VALVE, THERMAL COVER-LONG	1.000	ST	
	2	9.184-018.0	Valve screw	1.000	ST	
X-X	3	6.362-480.0	O-Ring seal 12,42x 1,78	1.000	ST	
	4	7.362-507.0	O-Ring seal 8x2-NBR 90 DIN 3770	1.000	ST	
	5	6.413-403.0	Therموالve 60°	1.000	ST	
	6	5.332-290.0	Helical spring	1.000	ST	
	7	9.175-005.0	Unloader Assembly	1.000	ST	
	8	9.139-372.0	SPARE PART LIST NOZZLE INS 020/021 PUMP	1.000	ST	
X-X	9	2.883-862.0	Spare part set chemistry	1.000	ST	
X-X	10	4.132-007.0	Drain plug only for replacement	3.000	ST	
X-X	11	2.884-916.0	Valve (3 Stück)	1.000	ST	SET CONSITSTS OF 3X VALVE
X	12	9.139-376.0	Valve 3 St.	1.000	ST	SET CONSITSTS OF 3X VALVE
	13	5.003-062.0	Plate	1.000	ST	
	14	9.135-015.0	Cylinder Head-Machined	1.000	ST	
	15	7.304-098.0	Hexagonal head screw M8x80-8.8-A2E ISO	4.000	ST	
	16	8.752-032.0	CLAMP, TENSION SPRING OD 11/16"	1.000	ST	

9 Spare part set chemistry (2.883-862.0)

ET/VT (spare/wear parts)	Pos	Material #	Name	Qty.	Unit	from ser.nr.	up to ser.nr.
	10	5.110-714.0	Sleeve	1.000	ST	0000000000	0000000000
	20	5.332-258.0	Helical spring	1.000	ST	0000000000	0000000000
	30	5.380-014.0	Label	1.000	ST	0000000000	0000000000
	40	5.443-448.0	Nipple chemistry	1.000	ST	0000000000	0000000000
X-X	50	6.362-175.0	O-Ring seal 5,28x 1,78	1.000	ST	0000000000	0000000000
	60	6.362-451.0	O-Ring seal 8,0 x 1,0	1.000	ST	0000000000	0000000000
	70	7.401-909.0	Sphere 7 G40 -1.4401 DIN 5401	1.000	ST	0000000000	0000000000



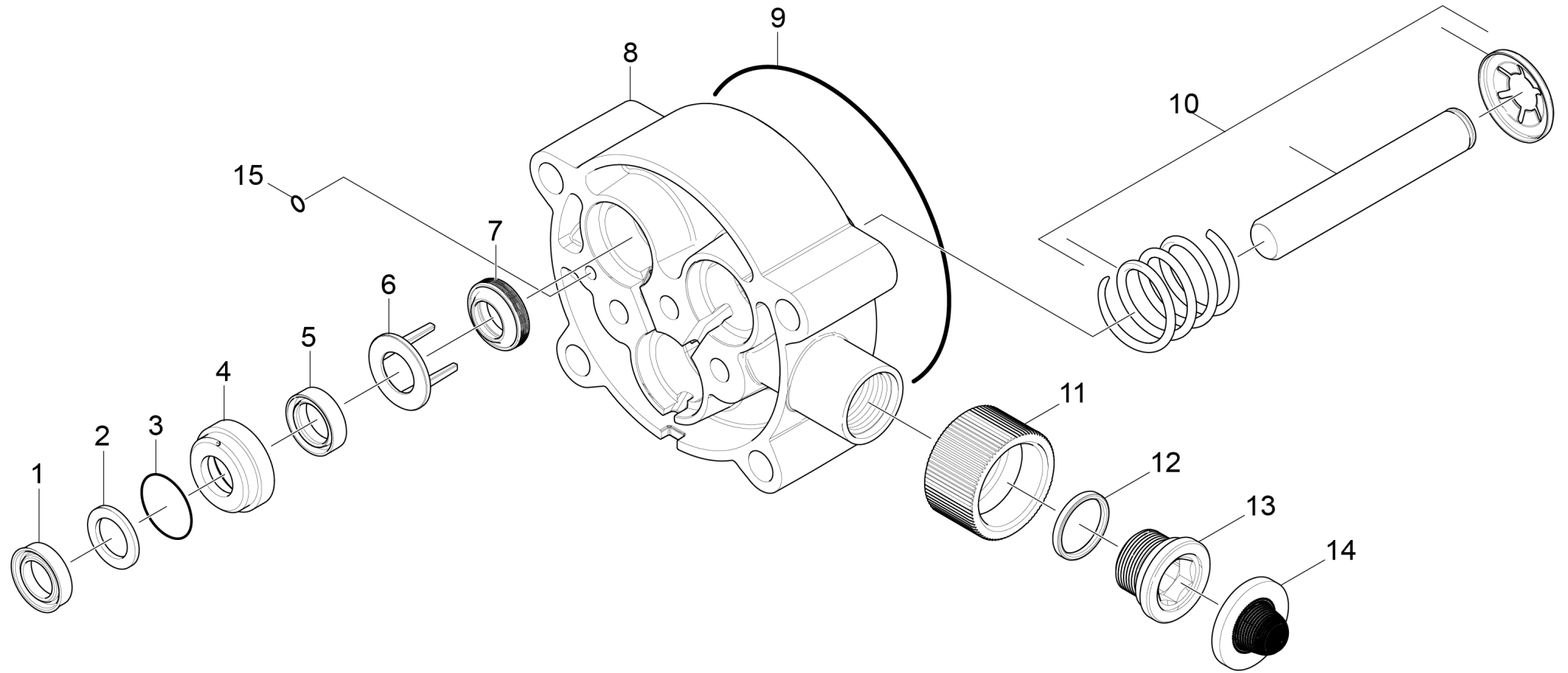
10 Drain plug only for replacement (4.132-007.0)

Pos	Material #	Name	Qty.	Unit
18	6.362-458.0	O-Ring seal 11,0x2,0-NBR 70	1.000	ST



11 Valve (3 Stück) (2.884-916.0)

ET/VT (spare/wear parts)	Pos	Material #	Name	Qty.	Unit
X-X	15	6.362-077.0	O-Ring seal 10 x 2,2 NBR 70	1.000	ST

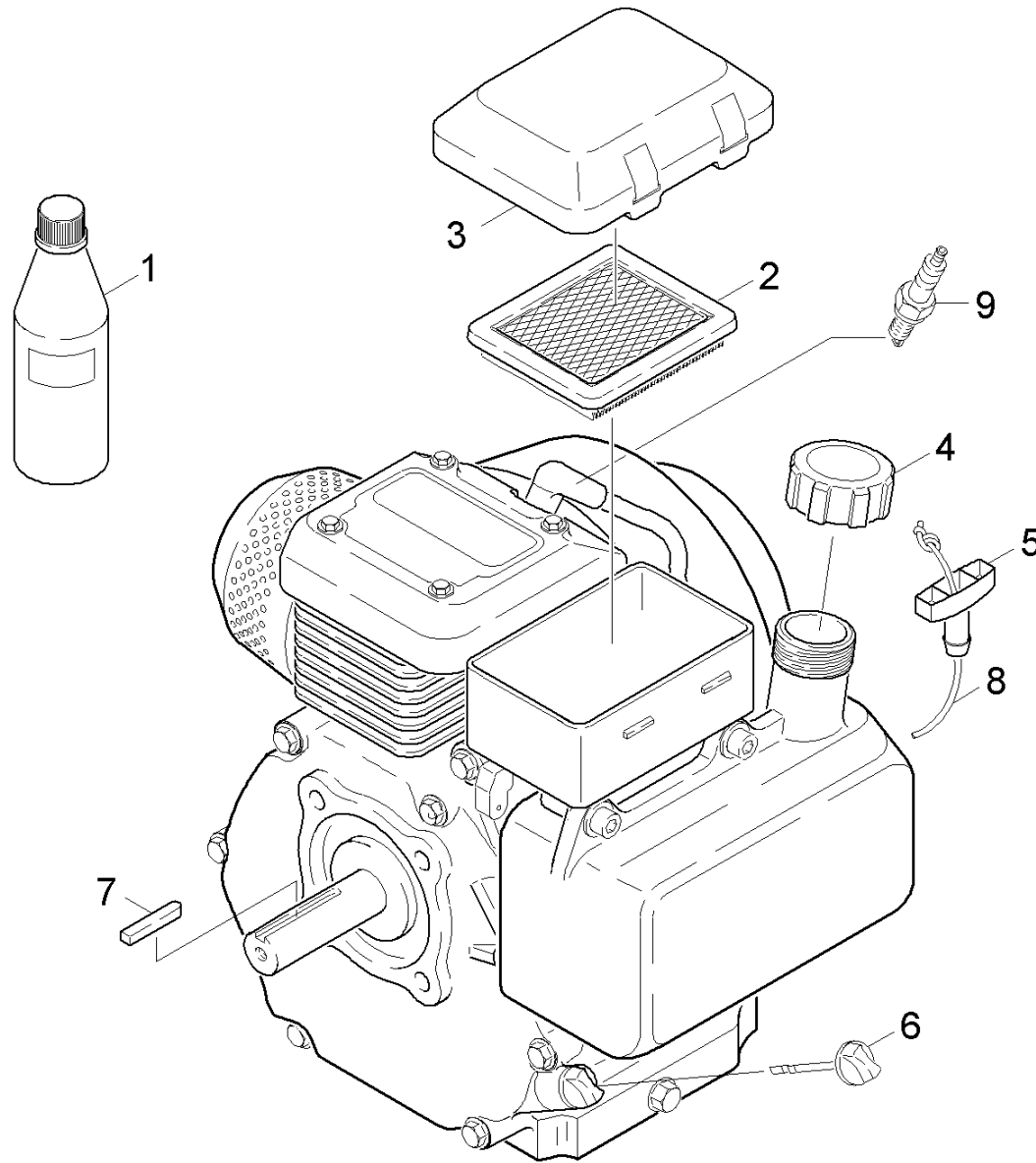


24 PISTON (8.921-431.0)

ET/VT (spare/wear parts)	Pos	Material #	Name	Qty.	Unit	Footnote text
X-X	1	9.177-301.0	HIGH PRESSURE SEAL	3.000	ST	ARTICLE ONLY AVAILABLE AT KNA
X	2	9.177-310.0	BACK RING-HIGH PRESSURE SEAL-	3.000	ST	ARTICLE ONLY AVAILABLE AT KNA
X-X	3	6.362-833.0	O-Ring seal 21,5 x 1,78	3.000	ST	ARTICLE ONLY AVAILABLE AT KNA
	4	9.155-011.0	HOUSING-LOW PRESSURE SEAL	3.000	ST	ARTICLE ONLY AVAILABLE AT KNA
X-X	5	6.363-058.0	Grooved ring 12x18x5 (90Shore)	3.000	ST	ARTICLE ONLY AVAILABLE AT KNA
	6	9.134-016.0	SPACER-OIL SEAL & SEAL HSG.	3.000	ST	ARTICLE ONLY AVAILABLE AT KNA
X-X	7	6.365-393.0	Oil sealing 12x20x4/6	3.000	ST	ARTICLE ONLY AVAILABLE AT KNA
	8	9.133-007.0	Piston Guide-Machined	1.000	ST	ARTICLE ONLY AVAILABLE AT KNA
	9	6.362-471.0	O-Ring seal 80,0 X 3,0 -NBR 70	1.000	ST	ARTICLE ONLY AVAILABLE AT KNA
	10	9.139-370.0	SPARE PART LIST PISTON 020/021 PUMP	3.000	ST	ARTICLE ONLY AVAILABLE AT KNA
	11	9.155-013.0	FEMALE HOSE CONNECTOR	1.000	ST	ARTICLE ONLY AVAILABLE AT KNA
X-X	12	6.362-390.0	O-Ring seal 15,6 X 1,78	1.000	ST	ARTICLE ONLY AVAILABLE AT KNA
X-X	13	9.134-019.0	MALE ADAPTER	1.000	ST	ARTICLE ONLY AVAILABLE AT KNA
X	14	9.181-005.0	FILTER SEAL-HOSE CONNECTOR-	1.000	ST	ARTICLE ONLY AVAILABLE AT KNA
	15	6.363-190.0	O-Ring seal 4,47x1,78-NBR 90	1.000	ST	ARTICLE ONLY AVAILABLE AT KNA

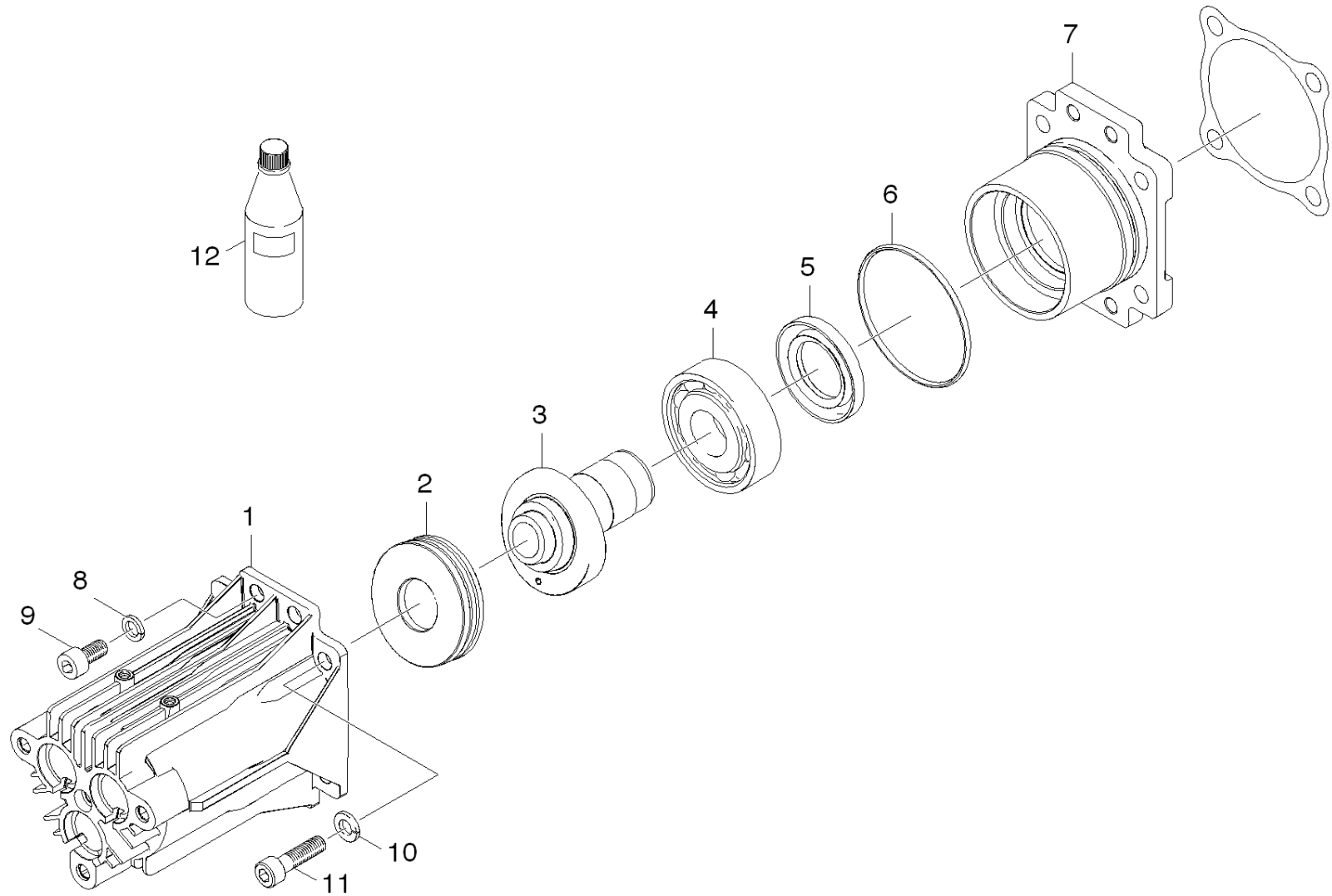
30 Motor

Pos	Name	Qty.	Unit	var. information
31	Motor	1.000	ST	
32	Transmission	1.000	ST	VERSION 1
33	TRANSMISSION	1.000	ST	VERSION 2



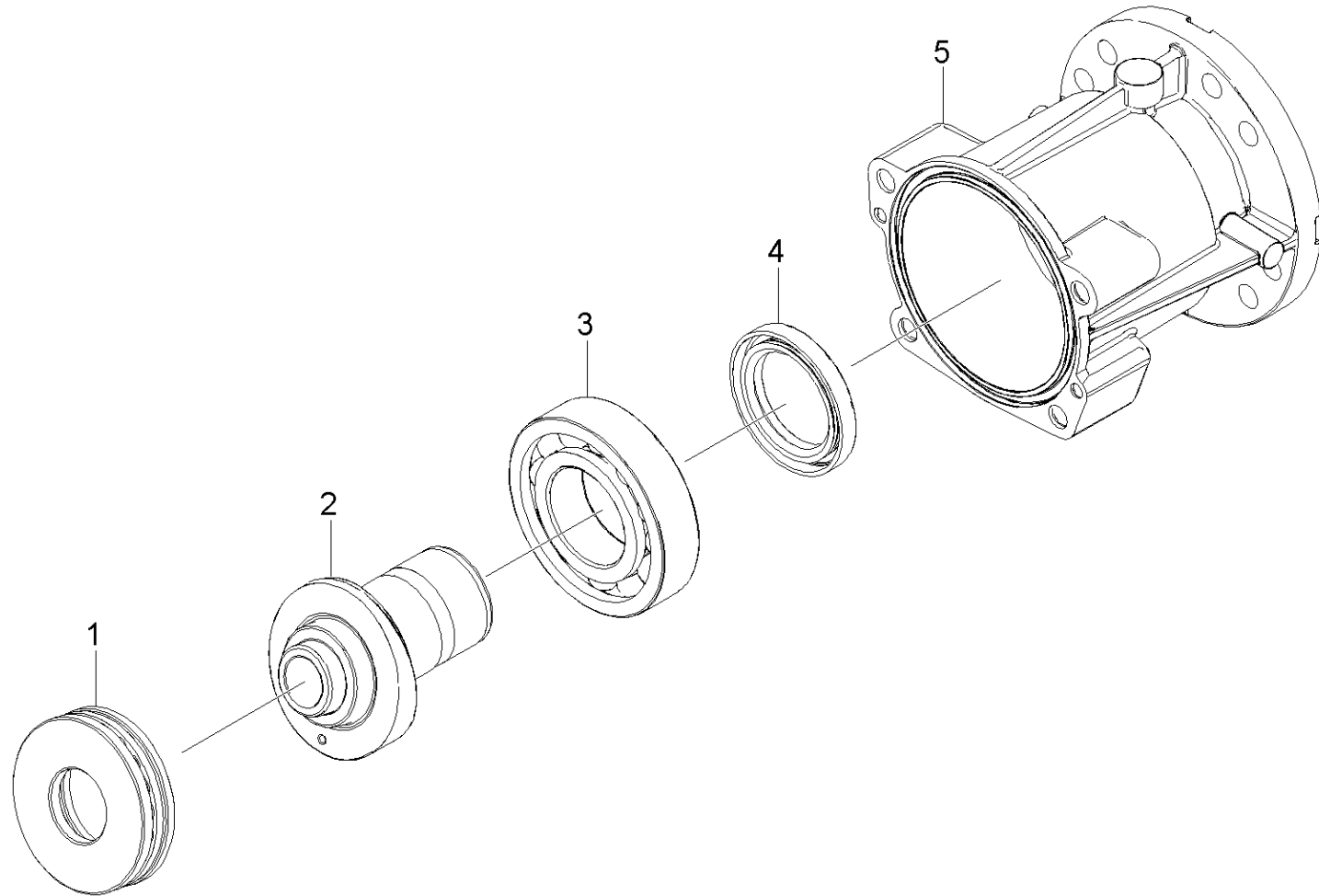
31 Motor

ET/VT (spare/wear parts)	Pos	Material #	Name	Qty.	Unit
X-X	1	6.288-050.0	Engine oil 1L	1.000	ST
	2	6.491-726.0	Air filter insert	1.000	ST
	3	9.194-543.0	Cover	1.000	ST
	4	6.491-723.0	Cap of a tank	1.000	ST
	5	6.491-503.0	Handhold	1.000	ST
	6	9.194-531.0	OIL DIP ROD	1.000	ST
	7	9.194-883.0	Shaft key 3/16"SQx1.5"	1.000	ST
	8	6.491-546.0	Pull cord	1.000	ST
	9	6.491-550.0	Ignition plug BPR6ES	1.000	ST



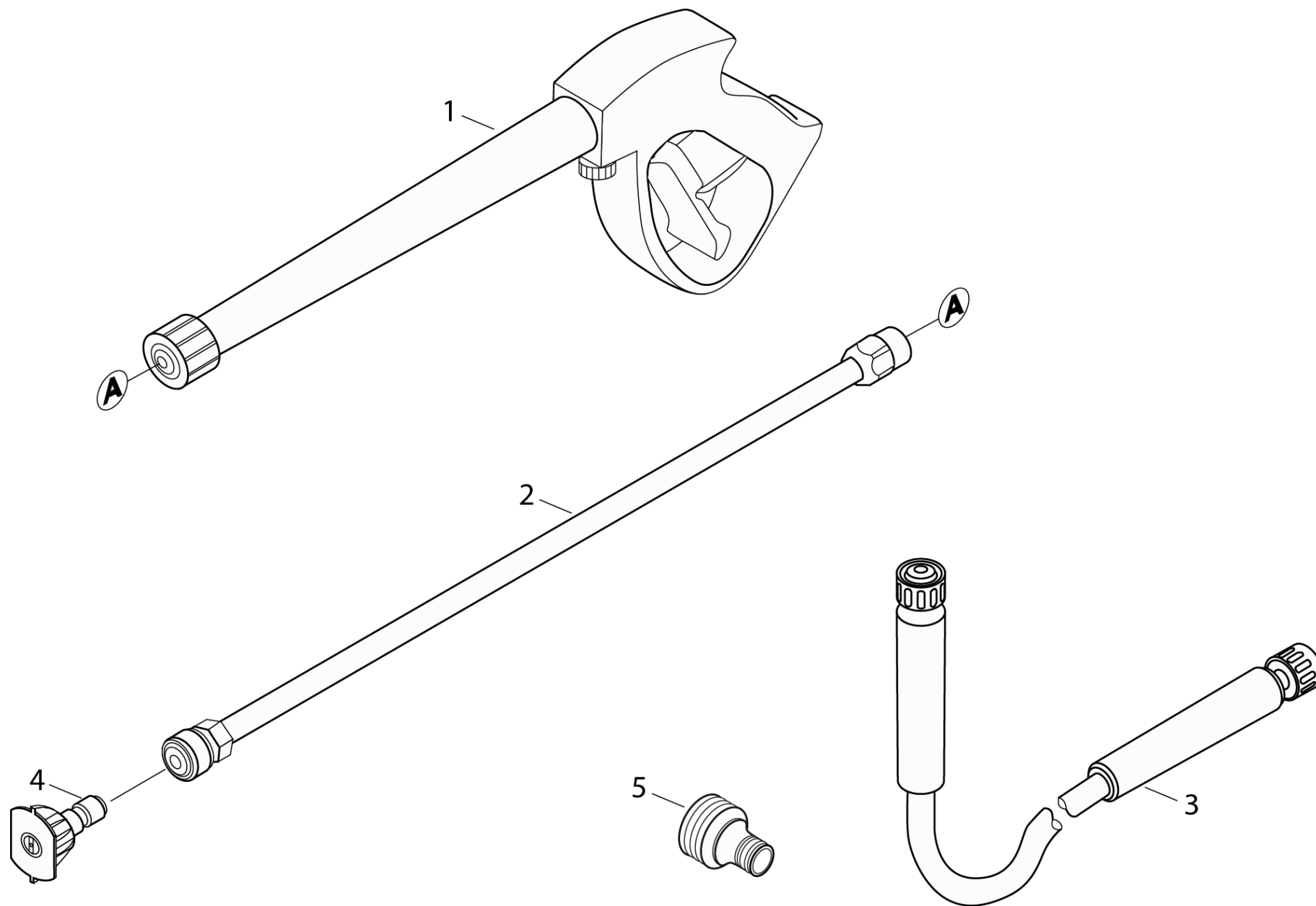
32 Transmission

Pos	Material #	Name	Qty.	Unit
1	9.135-006.0	SHORT OIL HOUSING AND PISTON GUIDE	1.000	ST
2	9.165-355.0	GROOVED BALL BEARING	1.000	ST
3	9.154-037.0	MOLDED SLEEVE-WOBBLE SHAFT-MACHINED-	1.000	ST
4	6.401-260.0	Angular contact ball bearing	1.000	ST
5	9.177-309.0	RADIAL SEAL, 30 x 52 x 7	1.000	ST
6	6.362-537.0	O-Ring seal 63,17x 2,62	1.000	ST
7	9.135-005.0	FLANGE SPACER-MACHINED-	1.000	ST
8	7.313-051.0	Spring washer 8-FST-A3E DIN 7980	4.000	ST
9	7.306-040.0	Cylinder head screw M8x16 -8.8-A2E ISO4	4.000	ST
10	5.115-656.0	Washer	4.000	ST
11	6.965-007.0	5/16-24X1 GR 5 SHCS THRU HARDENED ZC	4.000	ST
12	6.288-112.0	Engine oil 1L	1.000	ST



33 TRANSMISSION

Pos	Material #	Name	Qty.	Unit
1	9.165-355.0	GROOVED BALL BEARING	1.000	ST
2	9.135-018.0	Swash Plate Horizontal-Machined	1.000	ST
3	9.165-356.0	BALL BEARING NO. 6207	1.000	ST
4	9.177-314.0	Radial Seal, 35x52x7	1.000	ST
5	9.135-016.0	Oil Housing Vertical Machined	1.000	ST



40 Accessories

ET/VT (spare/wear parts)	Pos	Material #	Name	Qty.	Unit	var. information	Footnote text
X-X	1	6.391-419.0	High pressure hose K/Parts DN8 max.31,5M	1.000	ST	G 3050 OH AUS Model	ARTICLE ONLY AVAILABLE AT KNA
	1	9.112-017.0	AL5 GUN 4000 PSI	1.000	ST	G 3050 *KAP Model	ARTICLE ONLY AVAILABLE AT KNA
	1	9.112-012.0	AL BIT101 TRIGGER GUN	1.000	ST	G 3025 OH & G 3050 OH/OHC Models	ARTICLE ONLY AVAILABLE AT KNA
	2	9.112-533.0	Lance-AL Quick Connect-Male 3000 psi	1.000	ST		ARTICLE ONLY AVAILABLE AT KNA
	3	9.162-321.0	HP HOSE DN6/25'/3000/KA/BLK/PLSTC	1.000	ST	G 3025 OH & G 3050 OH/OHC Models	ARTICLE ONLY AVAILABLE AT KNA
X-X	3	6.391-419.0	High pressure hose K/Parts DN8 max.31,5M	1.000	ST	G 3050 OH AUS Model	ARTICLE ONLY AVAILABLE AT KNA
	3		HP HOSE 50' RUBBER DN6/210 BAR	1.000	ST	G 3050 OH *KAP Model	ARTICLE ONLY AVAILABLE AT KNA
	4	9.104-024.0	QUICK CONNECT NOZZLE KIT (030)	1.000	ST	G 3050 OH *KAP Model	ARTICLE ONLY AVAILABLE AT KNA
	4	9.104-016.0	QUICK CONNECT NOZZLE KIT (0325)	1.000	ST	G 3025 OH & G 3050 OH/OHC/AUS Models	ARTICLE ONLY AVAILABLE AT KNA
X-X	5	6.645-538.0	Tap adaptor complete US w/m thread	1.000	ST		