

Spare parts list  
(91392030) Spare parts list G 3050 OH

Spare parts list G 3050 OH (91392030).....	6
10 Frame (01033300).....	7
20 Pump set (01033310).....	9
21 Cylinder head (01033320).....	10
22 Piston (01033330).....	12
23 Cylinder head (01091920).....	14
9 Spare part set chemistry (28838620).....	16
24 Piston (01091930).....	17
30 Motor (01033340).....	19
31 Motor (01033350).....	20
32 Transmission (01033360).....	22
33 Transmission (01091940).....	24
40 Accessories (01033370).....	26

Spare parts list G 3050 OH (91392030)

---

pos Article no. Description

---

10 01033300 Frame

---

20 01033310 Pump set

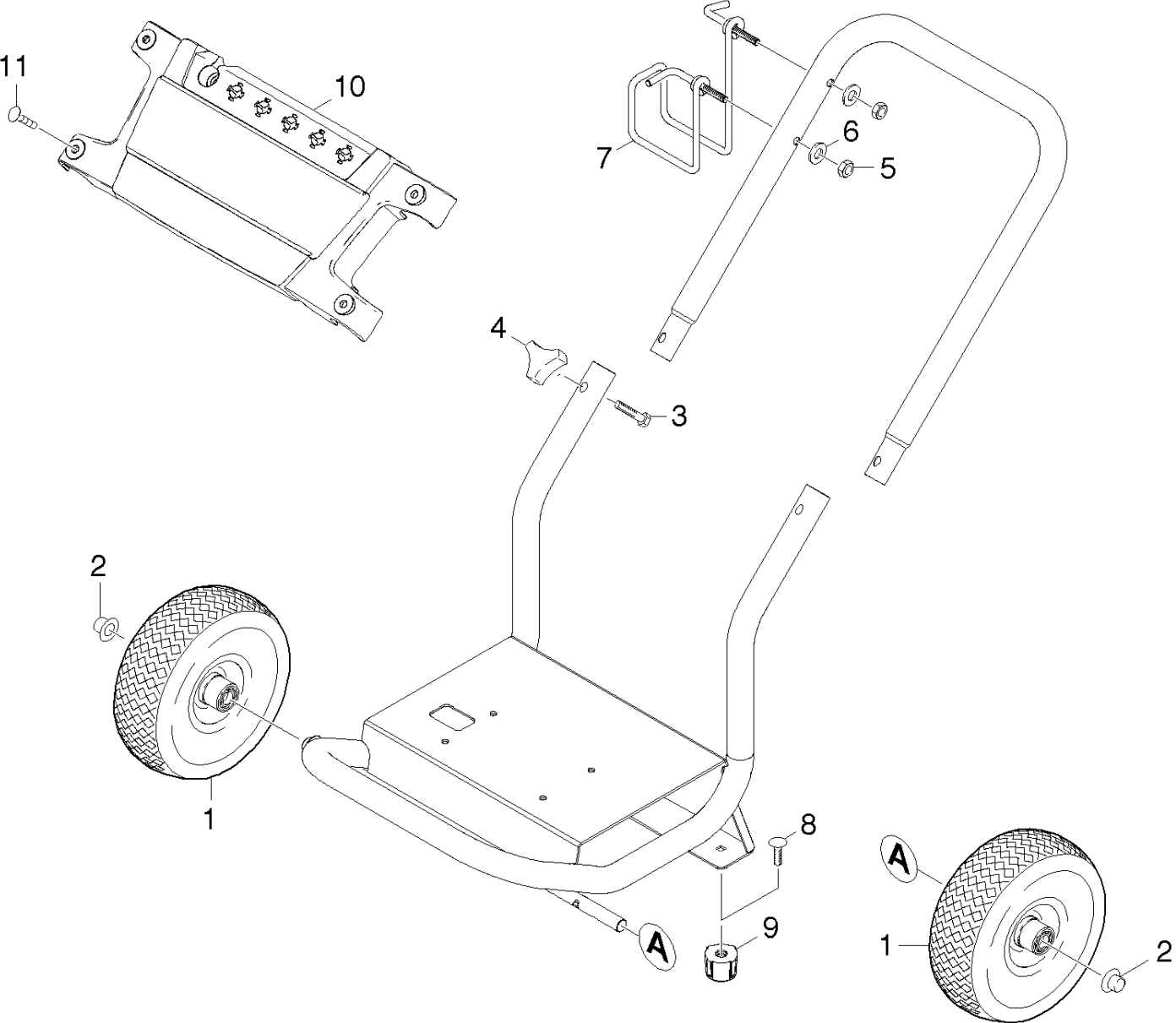
---

30 01033340 Motor

---

40 01033370 Accessories

---



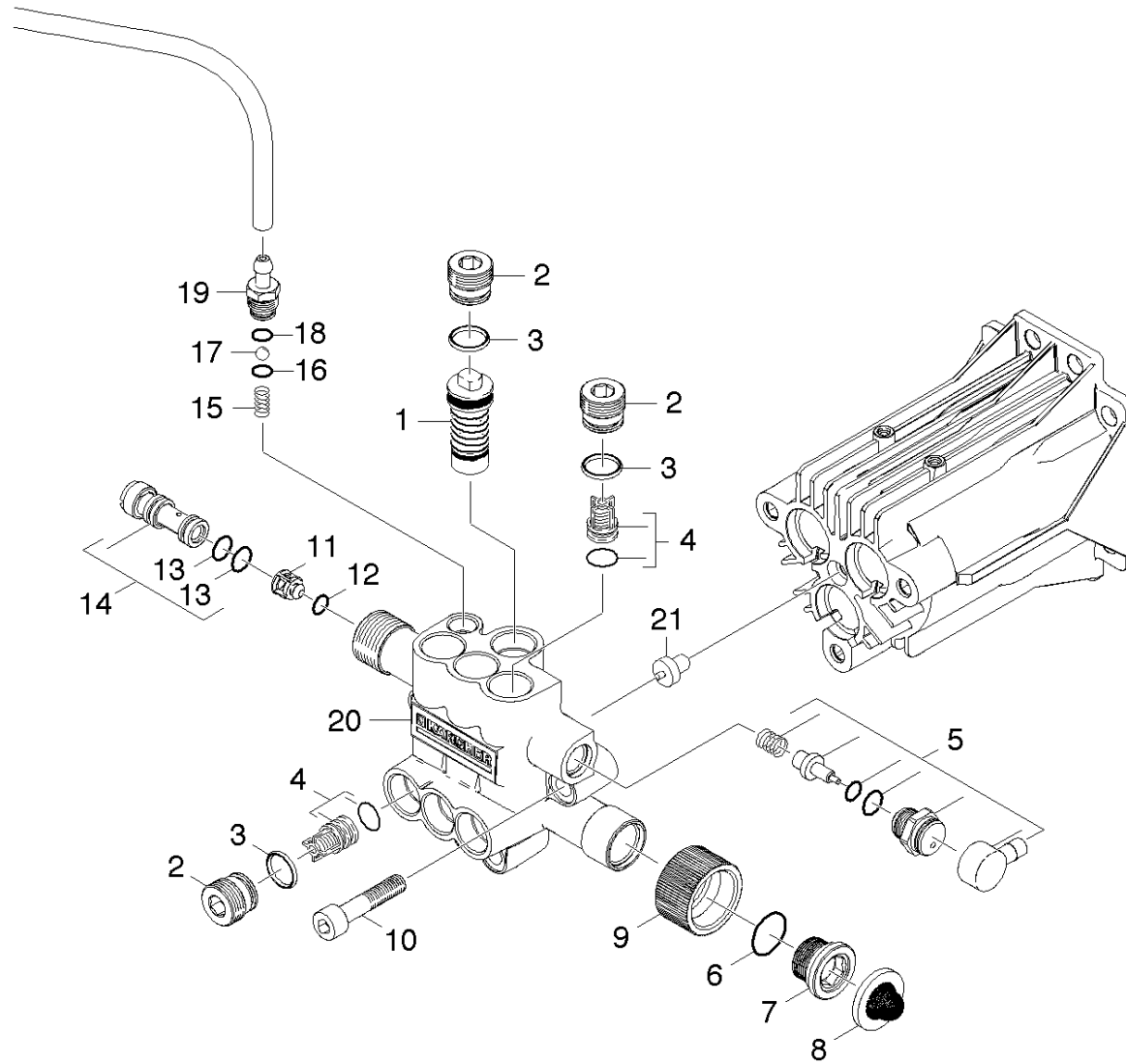
## 10 Frame (01033300)

pos	Article no.	Description	Quantity	Selling Unit	from ser.nr.	up to ser.nr.
1	91890070	WHEEL 10" X 3.50" PNEU	2.000	ST	0000000000	0000000000
2	91820040	Cap	2.000	ST	0000000000	0000000000
3	91963070	1/4-20 x 1-1/2 GR 2 HEX BOLT ZINC	2.000	ST	0000000000	0000000000
4	91823530	KNOB 1/4"-20,3PT. STAR	2.000	ST	0000000000	0000000000
5	53101050	5/16"-18 FINISHED HEX NUT ZINC	2.000	ST	0000000000	0000000000
6	91980030	5/16 INTERNAL L/W .332 ID X .620 OD ZINC	2.000	ST	0000000000	0000000000
7	91420140	HANGER RT SIDE	1.000	ST	0000000000	0000000000
8	91963080	5/16-18 X 1/2 CARRIAGE BOLT A307 BLK	1.000	ST	0000000000	0000000000
9	91834050	RUBBER DAMPENER 5/16"-18FEMALE 2001	1.000	ST	0000000000	0000000000
10	91340220	Name plate	1.000	ST		
11	91960490	Nylon Rivet	4.000	ST		

20 Pump set (01033310)

---

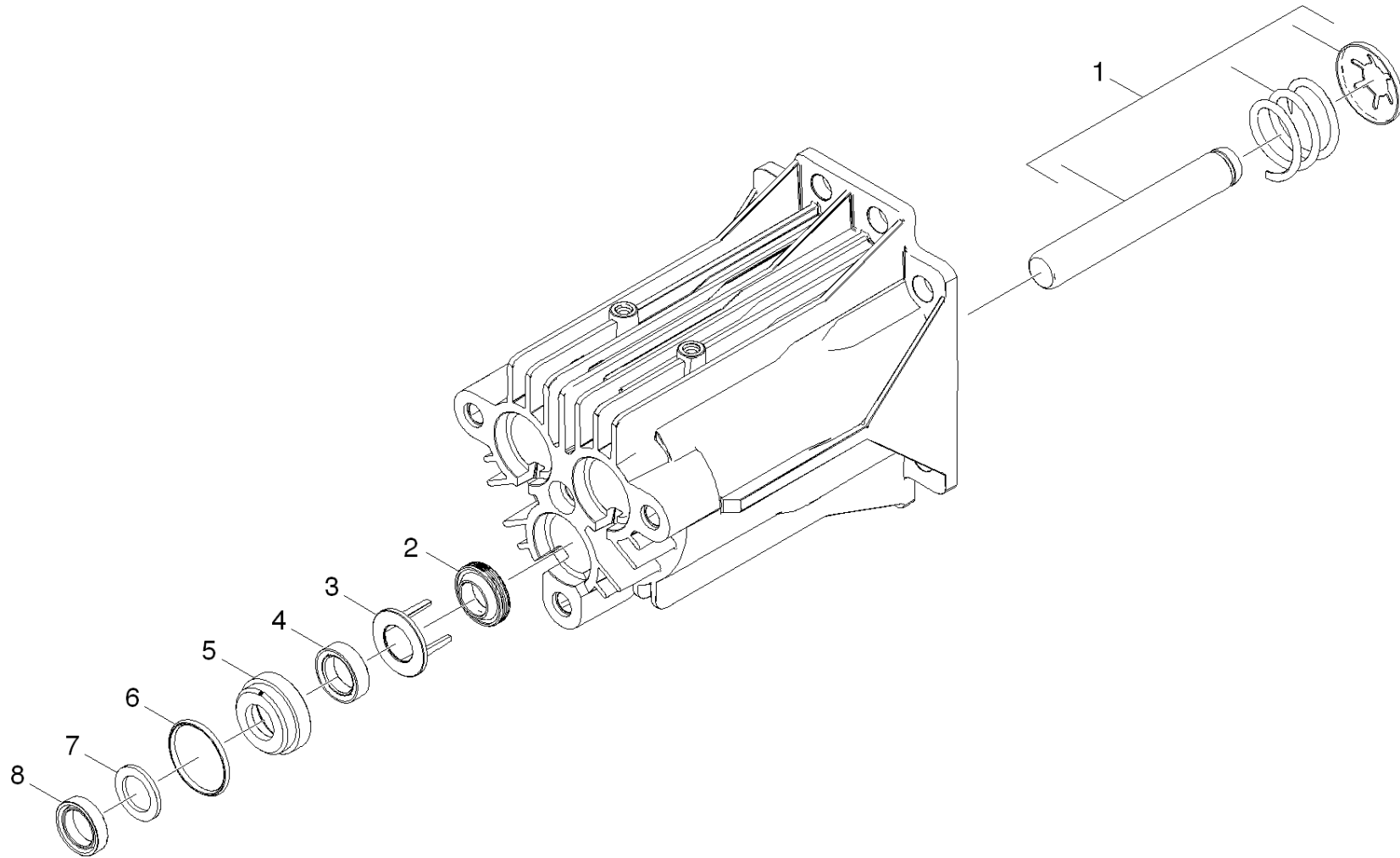
pos	Article no.	Description	var. information
21	01033320	Cylinder head	VERSION 1
22	01033330	Piston	VERSION 1
23	01091920	Cylinder head	VERSION 2
24	01091930	Piston	VERSION 2



21 Cylinder head (01033320)

ET/VT	pos	Article no.	Description	Quantity	Selling Unit	Fußnotentext
	1	91750070	Unloader Assembly	1.000	ST	
	2	91540360	M18 PIPE PLUG	7.000	ST	
	3	63624800	O-Ring seal 12,42x 1,78	9.000	ST	
X-X	4	28849160	Valve (3 Stück)	2.000	ST	3 QTY.
	5	91391940	SPARE PARTS LIST-SET2	1.000	ST	
	6	63626340	O-Ring seal 15,6 x 1,78-NBR 70	1.000	ST	
	7	91340190	MALE ADAPTER	1.000	ST	
	8	91810050	FILTER SEAL-HOSE CONNECTOR-	1.000	ST	
	9	91550130	FEMALE HOSE CONNECTOR	1.000	ST	
	10	73060750	Cylinder head screw M 8x 40-8.8-A2E ISO	3.000	ST	
	11	55840910	Valve pin check valve	1.000	ST	
	12	63628510	O-Ring seal 4 x 2 NBR 90	1.000	ST	
	13	63623840	O-Ring seal 9,0 x 1,5	1.000	ST	
	14	47690340	Nozzle insert only for replacement	1.000	ST	
	15	53322580	Helical spring	1.000	ST	
	16	63621750	O-Ring seal 5,28x 1,78	1.000	ST	
	17	74019090	Sphere 7 G40 -1.4401 DIN 5401	1.000	ST	
	18	63624510	O-Ring seal 8,0 x 1,0	1.000	ST	
	19	54434480	Nipple chemistry	1.000	ST	
	20	91350040	CYLINDER HEAD-MACHINED	1.000	ST	
	21	91773050	MOLDED RUBBER END CAP	1.000	ST	





22 Piston (01033330)

---

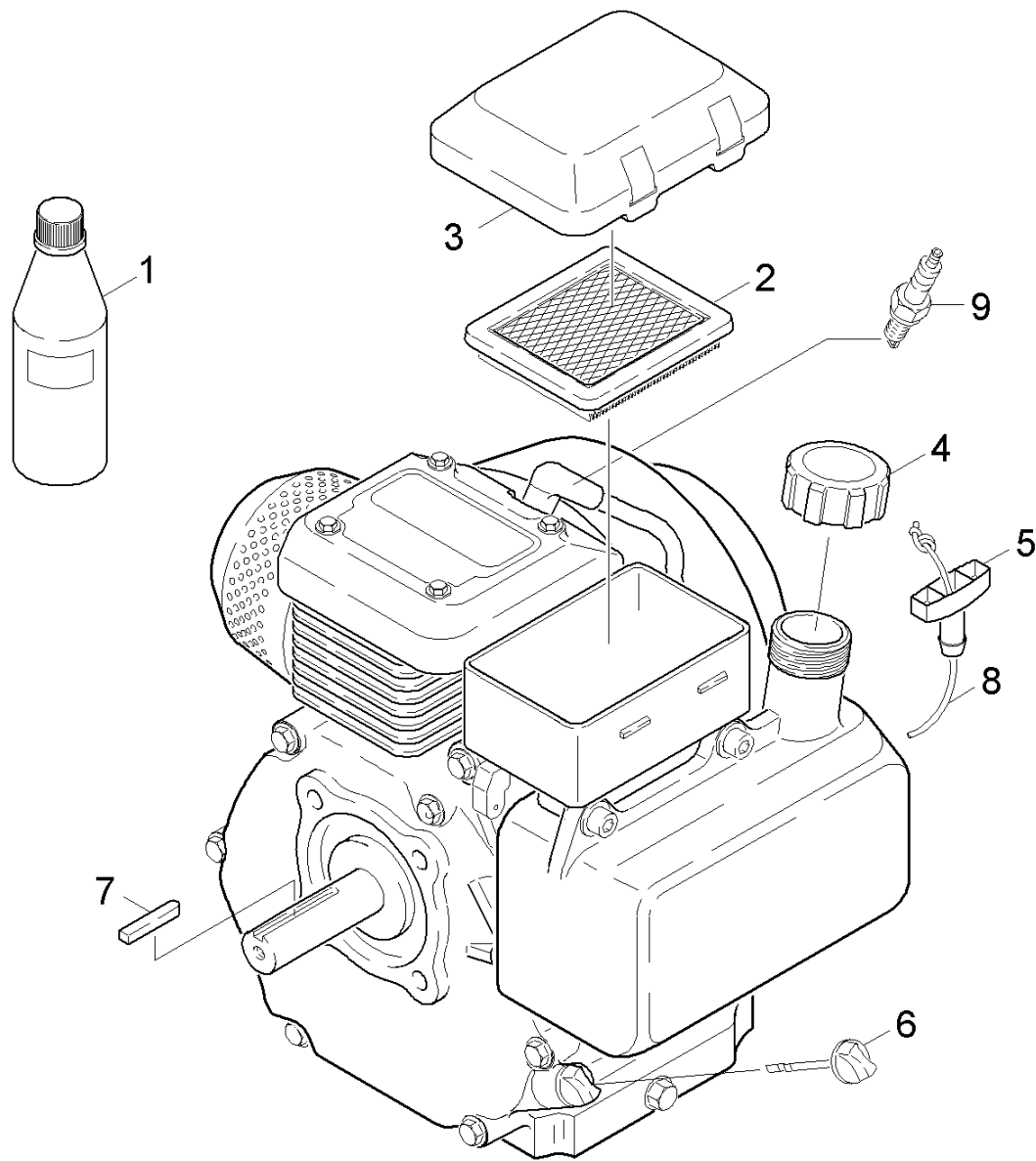
pos	Article no.	Description	Quantity	Selling Unit
1	91391930	KIT,SPARE PARTS LIST-SET1, PISTON/SPRING	3.000	ST
2	63653930	Oil sealing 12x20x4/6	3.000	ST
3	91340160	SPACER-OIL SEAL & SEAL HSG.	3.000	ST
4	63630580	Grooved ring	3.000	ST
5	91550110	HOUSING-LOW PRESSURE SEAL	3.000	ST
6	63628330	O-Ring seal 21,5 x 1,78	3.000	ST
7	91773100	BACK RING-HIGH PRESSURE SEAL-	3.000	ST
8	91773010	HIGH PRESSURE SEAL	3.000	ST

30 Motor (01033340)

---

pos	Article no.	Description	var. information
31	01033350	Motor	
32	01033360	Transmission	VERSION 1
33	01091940	Transmission	VERSION 2

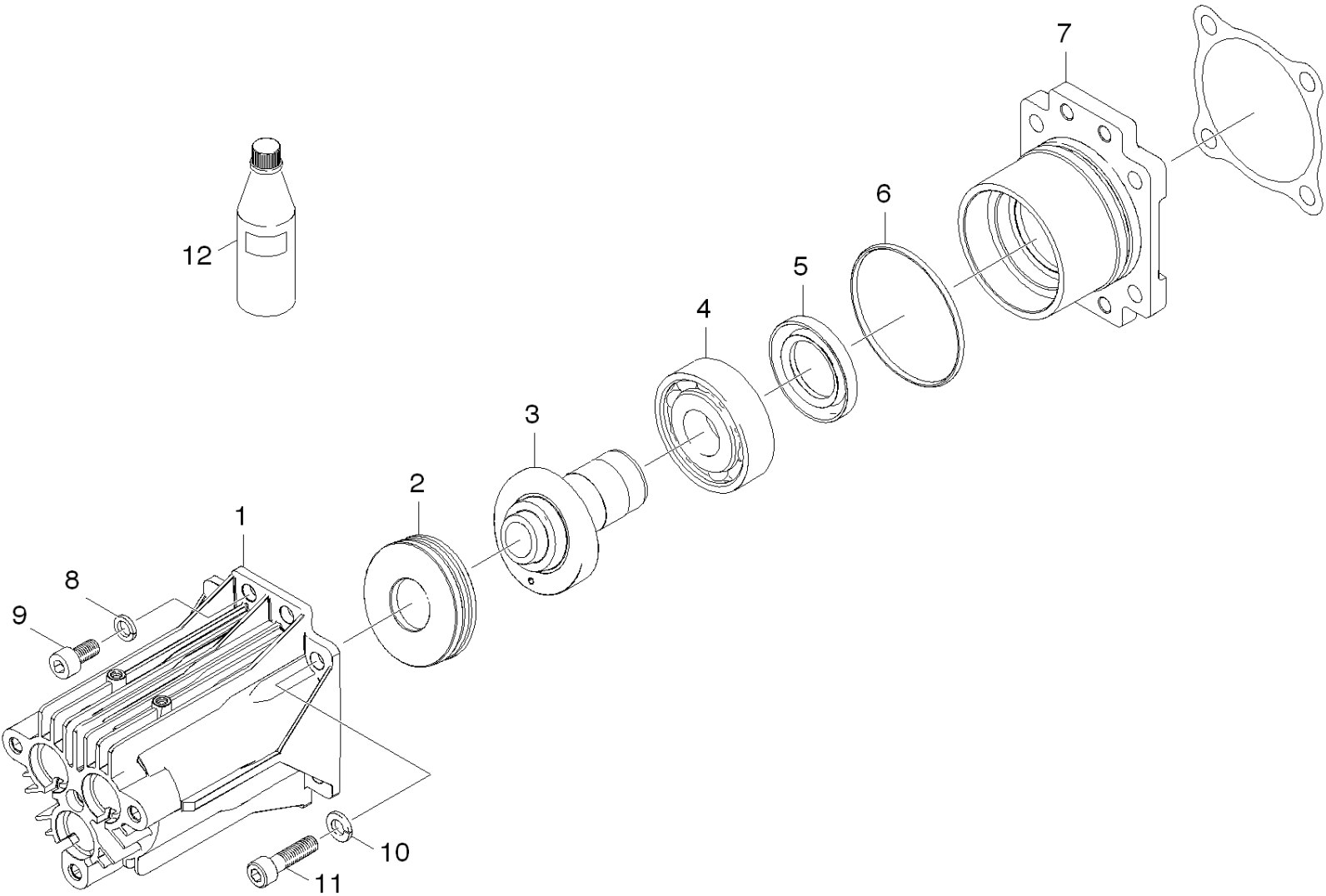
---



31 Motor (01033350)

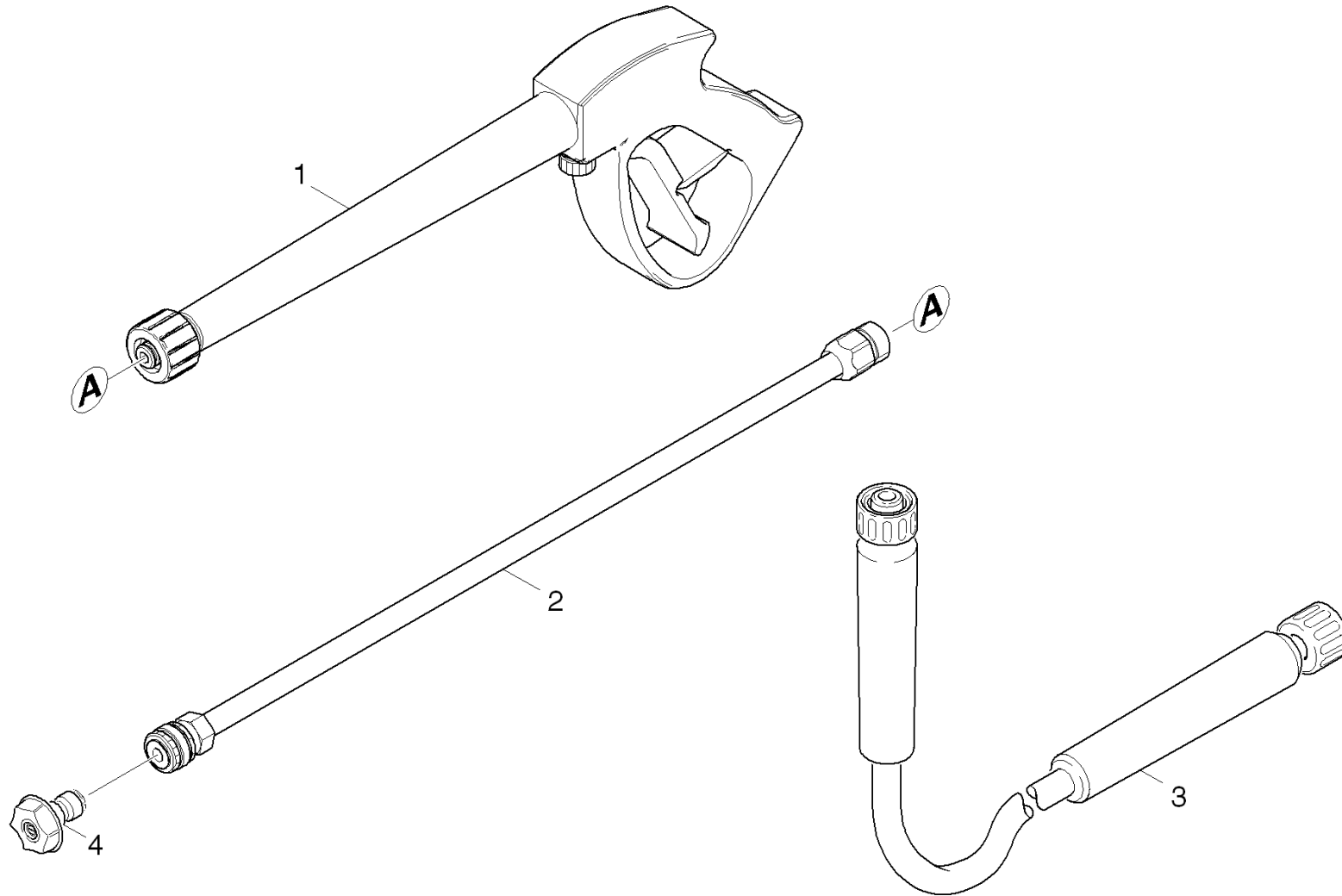
---

pos	Article no.	Description	Quantity	Selling Unit
1	62880500	Engine oil 1L	1.000	ST
2	64917260	Air filter insert	1.000	ST
3	91945430	Cover	1.000	ST
4	64917230	Cap of a tank	1.000	ST
5	64915030	Handhold	1.000	ST
6	91945310	OIL DIP ROD	1.000	ST
7	91945460	SHAFT KEY 3/16" SQ X 1.5"	1.000	ST
8	64915460	Pull cord	1.000	ST
9	64915500	Ignition plug BPR6ES	1.000	ST



## 32 Transmission (01033360)

pos	Article no.	Description	Quantity	Selling Unit
1	91350060	SHORT OIL HOUSING AND PISTON GUIDE	1.000	ST
2	91653550	GROOVED BALL BEARING	1.000	ST
3	91540370	MOLDED SLEEVE-WOBBLE SHAFT-MACHINED-	1.000	ST
4	64012600	Angular contact ball bearing	1.000	ST
5	91773090	RADIAL SEAL, 30 x 52 x 7	1.000	ST
6	63625370	O-Ring seal 63,17x 2,62	1.000	ST
7	91350050	FLANGE SPACER-MACHINED-	1.000	ST
8	73130510	Spring washer 8-FST-A3E DIN 7980	4.000	ST
9	73060400	Cylinder head screw M8x16 -8.8-A2E ISO4	4.000	ST
10	51156560	Washer	4.000	ST
11	69650070	5/16-24X1 GR 5 SHCS THRU HARDENED ZC	4.000	ST
12	62881120	Engine oil 1L	1.000	ST





40 Accessories (01033370)

---

pos	Article no.	Description	Quantity	Selling Unit	var. information
1	91120200	3200psi MV GUN KAERCHER	1.000	ST	
2	91125260	LANCE- AL QUICK CONNECT MALE 3000 PSI	1.000	ST	
3	91623210	HP HOSE DN6/25'/3000/KA/BLK/PLSTC	1.000	ST	
4	91040240	QUICK CONNECT NOZZLE KIT (030)	1.000	ST	0305
4	91040160	QUICK CONNECT NOZZLE KIT (0325)	1.000	ST	0325