



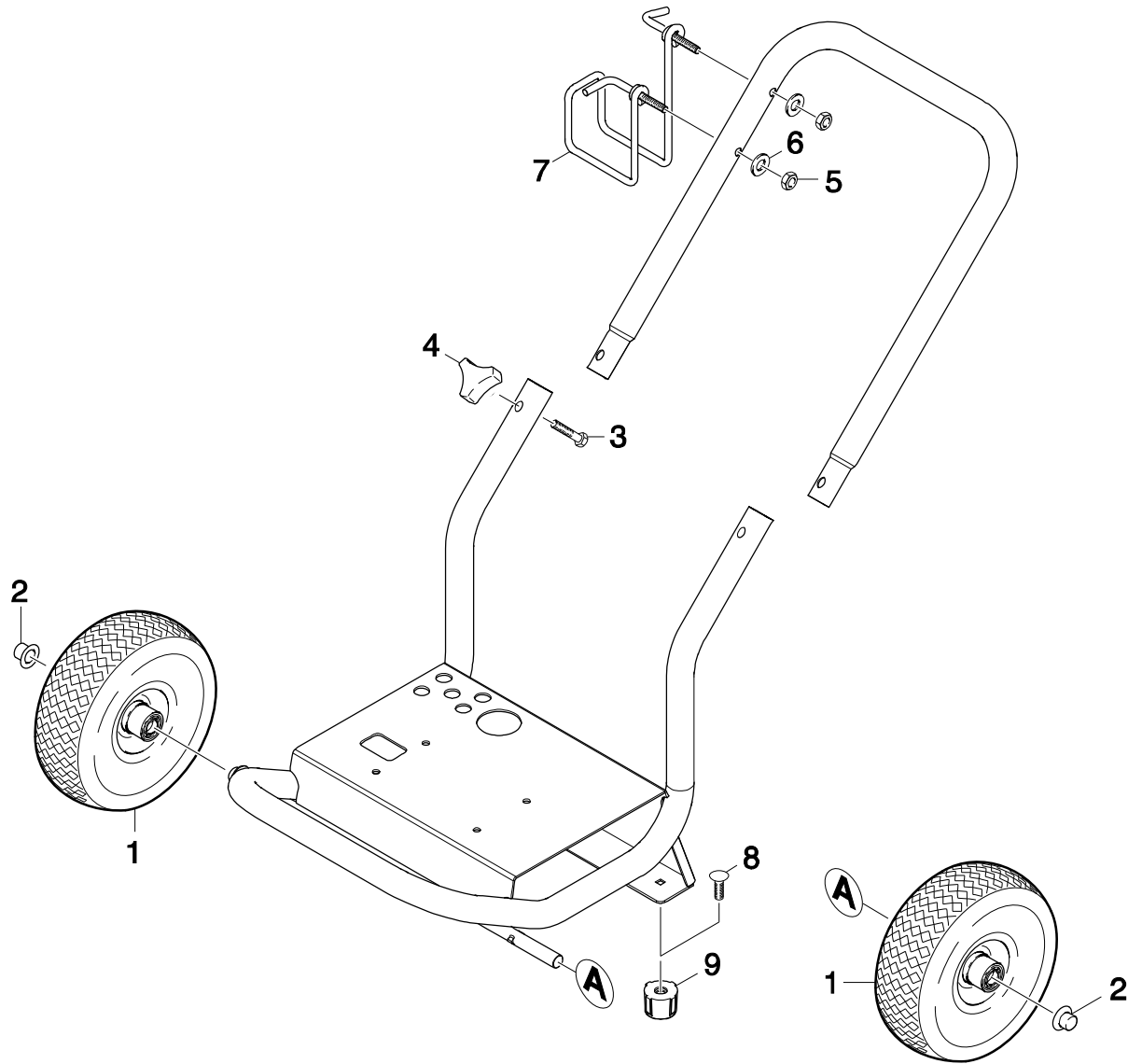
**Ersatzteilliste**  
**Spare Parts List**  
**Liste des pieces de rechange**

1.194-509.0 G 3000 OH  
1.194-510.0 G 2800 OH

FRAME



FRAME



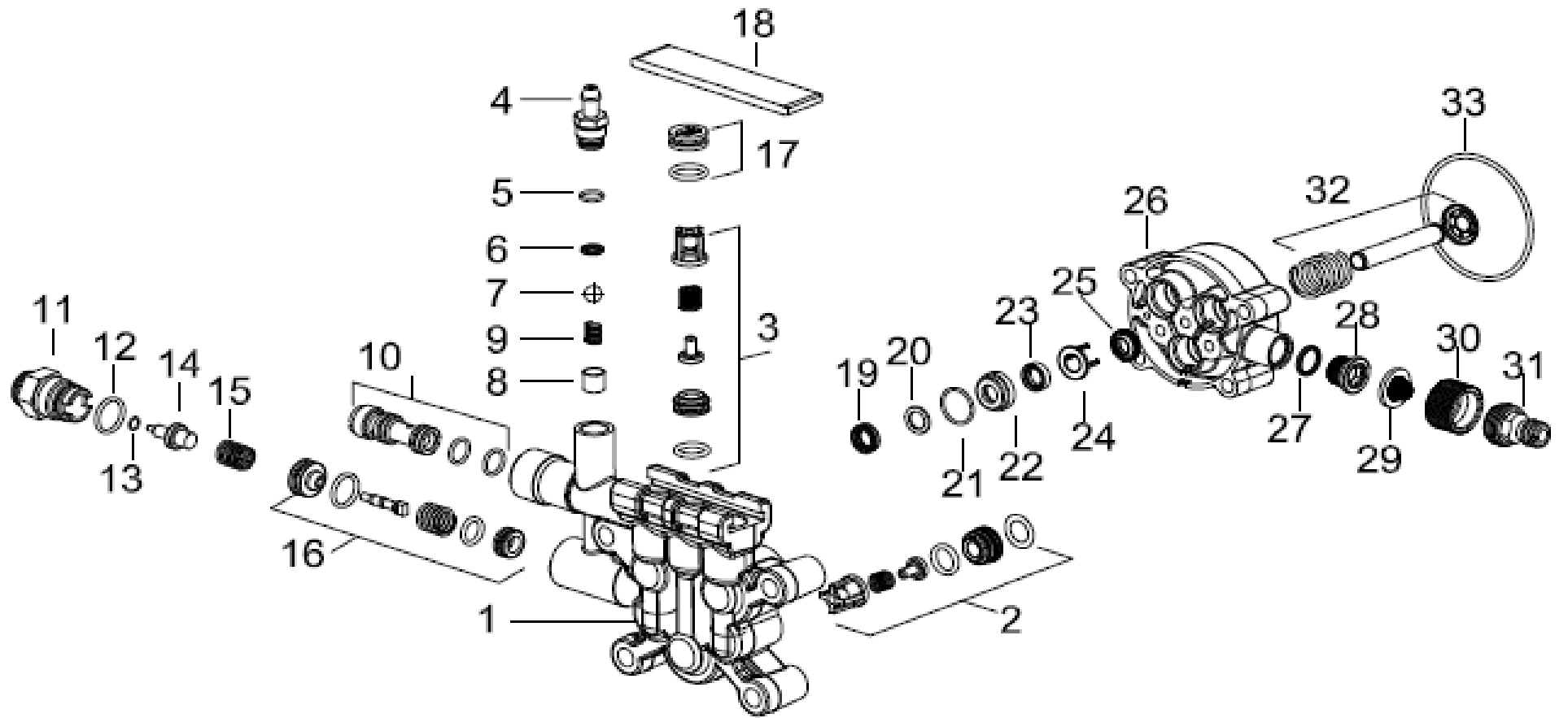
**FRAME**

POS ITM. POS.	BENENNUNG DESCRIPTION DESIGNATION	TEILE-NR PART-NO NO. PIECE	STCK QTY. NBR	AB WERK-NR FROM SERIAL-NO TO SERIAL-NO	BIS WERK-NR
---------------------	---	----------------------------------	---------------------	---	-------------

0001	WHEEL	9.189-007.0	2,000		
0002	CAP FASTENER	9.182-004.0	2,000		
0003	BOLT	9.196-307.0	2,000		
0004	KNOB	9.182-353.0	2,000		
0005	NUT	5.310-105.0	2,000		
0006	WASHER	9.198-003.0	2,000		
0007	HANGER RT SIDE	9.142-014.0	1,000		
0008	BOLT	9.196-308.0	2,000		
0009	RUBBER DAMPENER	9.183-405.0	2,000		

PUMP-SET





**PUMP SET**

updated 25 Mar 2010

POS ITM. POS.	BENENNUNG DESCRIPTION DESIGNATION	TEILE-NR PART-NO NO. PIECE	STCK QTY. NBR	AB WERK-NR FROM SERIAL-NO TO SERIAL-NO	BIS WERK-NR
---------------------	---	----------------------------------	---------------------	---	-------------

0000	COMPLETE PUMP ASSEMBLY	8.920-004.0	1,000		
0001	CYLINDER HEAD	8.762-010.0	1,000		
0002	VALVE	9.175-004.0	3,000		
0003	VALVE (3 PACK)	9.139-371.0	1,000		
0004	CHEMICAL INLET ASSEMBLY	5.443-448.0	1,000		
0005	O-RING SEAL 8.0x1.0	6.362-451.0	1,000		
0006	O-RING SEAL 5.28x1.78	6.362-175.0	1,000		
0007	SPHERE 7 G40-1.4401	7.401-909.0	1,000		
0008	SLEEVE	5.110-714.0	1,000		
0009	HELICAL SPRING	5.332-258.0	1,000		
0010	NOZZLE INSERT (with O-RINGS)	9.139-372.0	1,000		
0011	THERMAL VALVE OUTLET	9.184-018.0	1,000		
0012	O-RING SEAL 12.42x1.78	6.362-480.0	1,000		
0013	O-RING SEAL 8.0x2.0	7.362-507.0	1,000		
0014	THERMAL VALVE - TIN COATED	6.413-403.0	1,000		
0015	HELICAL SPRING	5.332-290.0	1,000		
0016	UNLOADER VALVE	9.175-005.0	1,000		
0017	DRAIN PLUG with O-RINGS	4.132-007.0	3,000		
0017A	O-RING SEAL 11.0x2.0	6.362-458.0	3,000		
0018	BRASS PLATE	5.003-062.0	1,000		
0019	GROOVED RING (WATER SEAL)	9.177-301.0	3,000		
0020	BACK RING	9.177-310.0	3,000		
0021	O-RING SEAL 12.5x1.73	6.362-833.0	3,000		
0022	BRASH BUSHING	9.155-011.0	3,000		
0023	GROOVED RING (COMPACT SEAL)	6.363-058.0	3,000		
0024	SPACER	9.134-016.0	3,000		
0025	GROOVED RING 12.20x4/6 (OIL SEAL)	6.365-393.0	3,000		
0026	PISTON GUIDANCE	9.133-007.0	1,000		
0027	O-RING SEAL 15.6x1.8	6.362-390.0	1,000		
0028	MALE ADAPTER	9.134-019.0	1,000		
0029	FILTER SEAL	9.181-005.0	1,000		
0030	HOSE CONNECTOR	9.155-013.0	1,000		

**PUMP SET**

updated 25 Mar 2010

POS ITM. POS.	BENENNUNG DESCRIPTION DESIGNATION	TEILE-NR PART-NO NO. PIECE	STCK QTY. NBR	AB WERK-NR FROM SERIAL-NO TO SERIAL-NO	BIS WERK-NR
---------------------	---	----------------------------------	---------------------	---	-------------

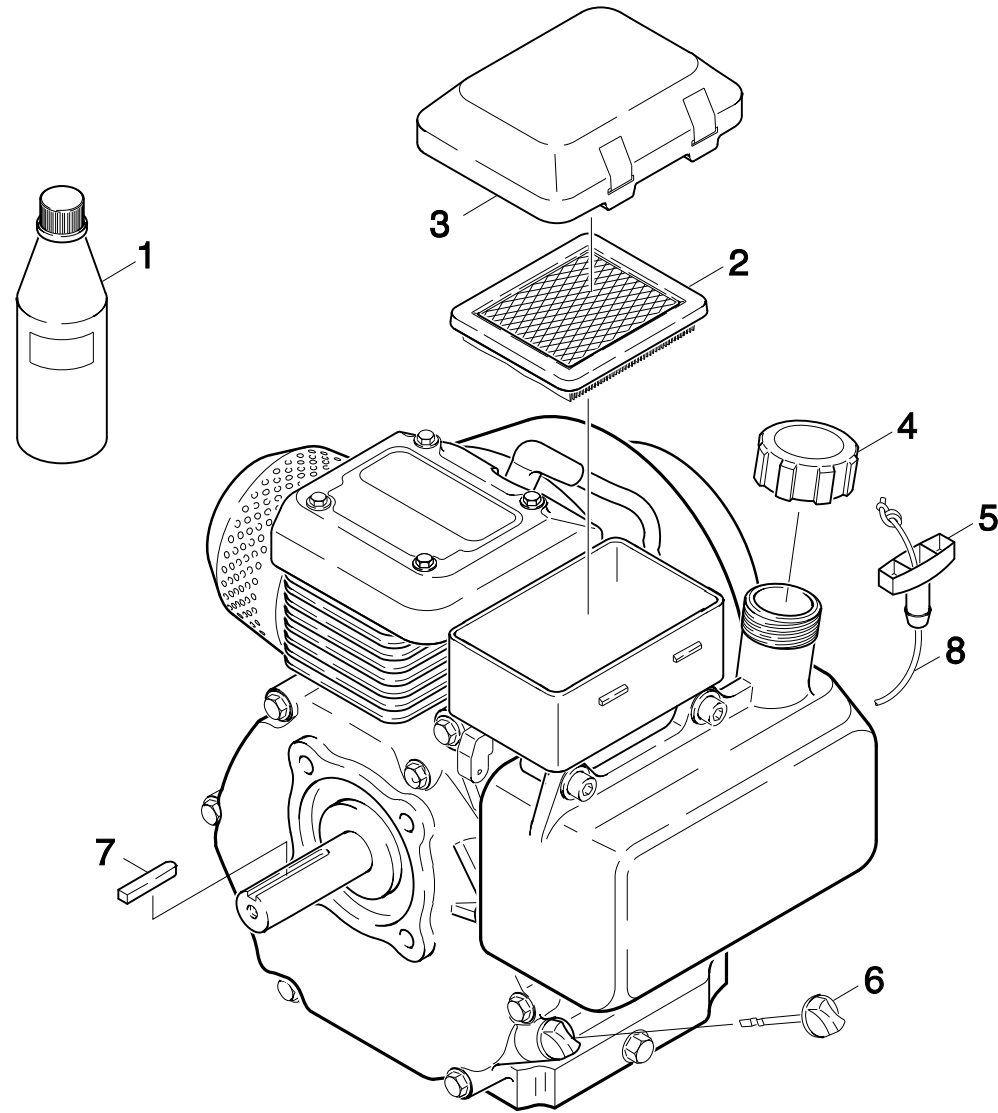
0031	QUICK CONNECTOR - MALE <b>OPTIONAL</b>	6.389-870M	1,000		
0031A	QUICK CONNECTOR - FEMALE <b>NOT SHOWN - OPTIONAL</b>	9.083-003.0	1,000		
0032	PISTON COMPLETE	9.139-370.0	3,000		
0033	O-RING SEAL 80.0x3.0	6.362-471.0	1,000		



MOTOR



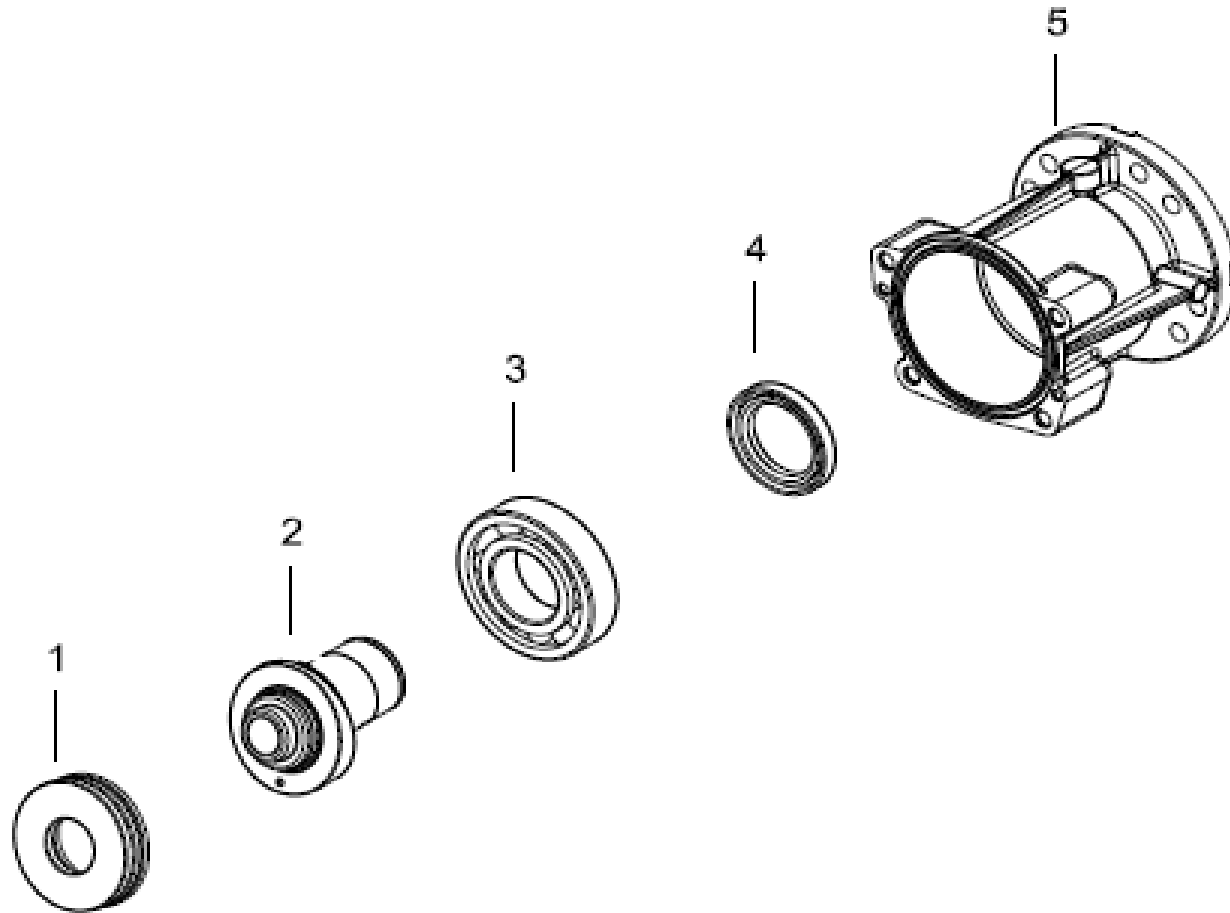
MOTOR



**MOTOR**

POS ITM. POS.	BENENNUNG DESCRIPTION DESIGNATION	TEILE-NR PART-NO NO. PIECE	STCK QTY. NBR	AB WERK-NR FROM SERIAL-NO TO SERIAL-NO	BIS WERK-NR
---------------------	---	----------------------------------	---------------------	---	-------------

0001	OIL 1 LITRE	6.288-050.0	1,000		
0002	AIR FILTER ELEMENT	6.491-726.0	1,000		
0003	COVER	9.194-543.0	1,000		
0004	CAP OF TANK	9.194-548.0	1,000		
0005	HANDLE	6.491-503.0	1,000		
0006	OIL DIP ROD	9.194-531.0	1,000		
0007	SHAFT KEY	9.194-546.0	1,000		
0008	STARTER ROPE	6.491-546.0	1,000		



**TRANSMISSION**

updated 25 Mar 2010

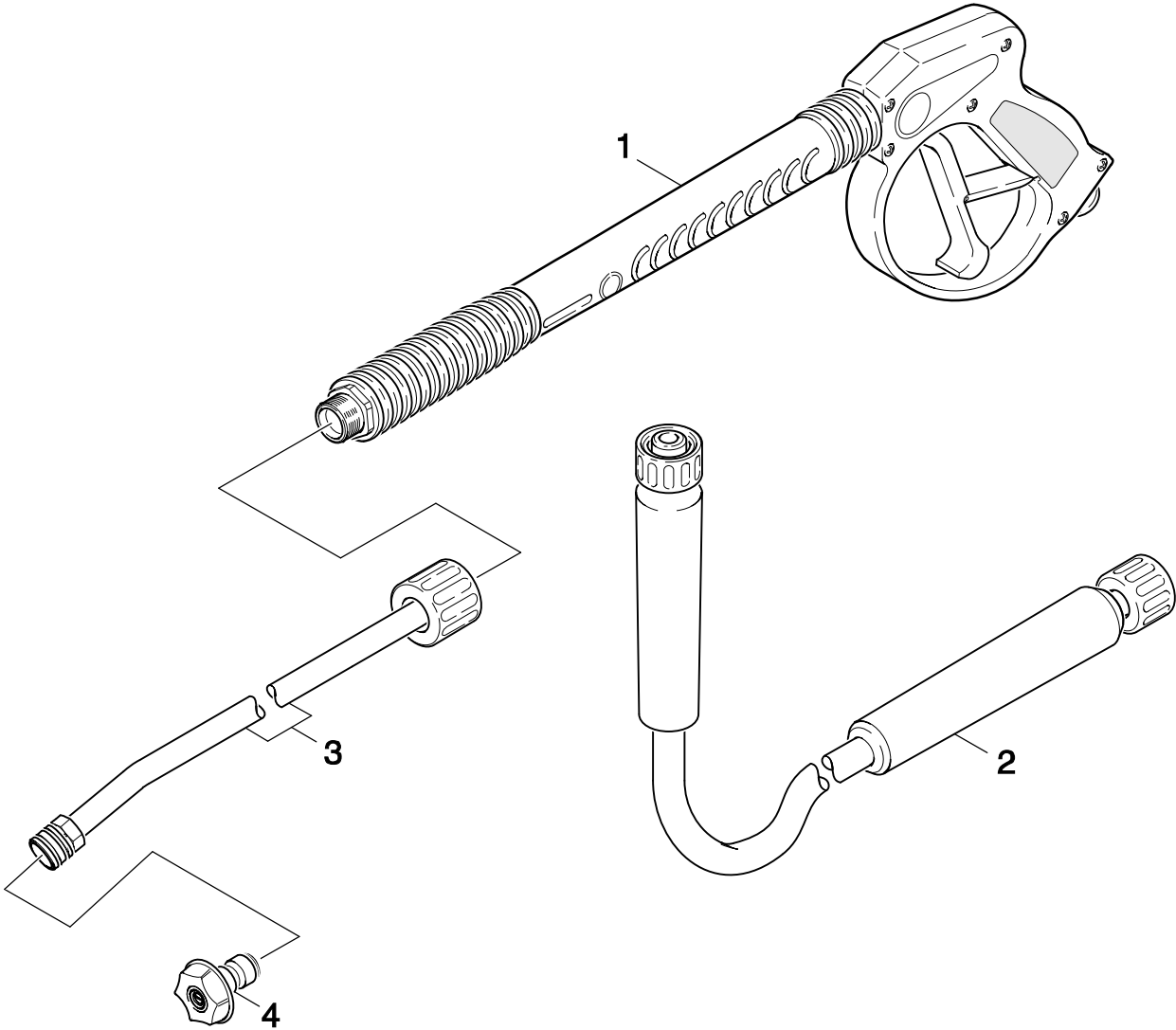
POS ITM. POS.	BENENNUNG DESCRIPTION DESIGNATION	TEILE-NR PART-NO NO. PIECE	STCK QTY. NBR	AB WERK-NR FROM SERIAL-NO TO SERIAL-NO	BIS WERK-NR
---------------------	---	----------------------------------	---------------------	---	-------------

0000	COMPLETE PUMP ASSEMBLY	8.920-004.0	1,000		
0001	GROOVE BALL BEARING	9.166-016.0	1,000		
0002	SWASH PLATE HORIZONTAL	9.135-018.0	1,000		
0003	AXIAL BALL BEARING RING	9.165-356.0	1,000		
0004	RADIAL SEAL 35.0x52.0x7.0	9.177-314.0	1,000		
0005	OIL HOUSING	9.135-016.0	1,000		
	PUMP OIL 1L	6.288-050.0	1,000		
	<b>NOT SHOWN</b>				

**ACCESSORIES**



TRIGGER GUN



**TRIGGER GUN**

POS ITM. POS.	BENENNUNG DESCRIPTION DESIGNATION	TEILE-NR PART-NO NO. PIECE	STCK QTY. NBR	AB WERK-NR FROM SERIAL-NO TO SERIAL-NO	BIS WERK-NR
---------------------	---	----------------------------------	---------------------	---	-------------

0001	TRIGGER GUN	9.112-009.0	1,000		
0002	HP HOSE	9.162-314.0	1,000		
0003	LANCE	9.112-508.0	1,000		
0004	QUICK CONNECT NOZZLE KIT	9.104-016.0	1,000		