



**Ersatzteilliste**  
**Spare Parts List**  
**Liste des pieces de rechange**

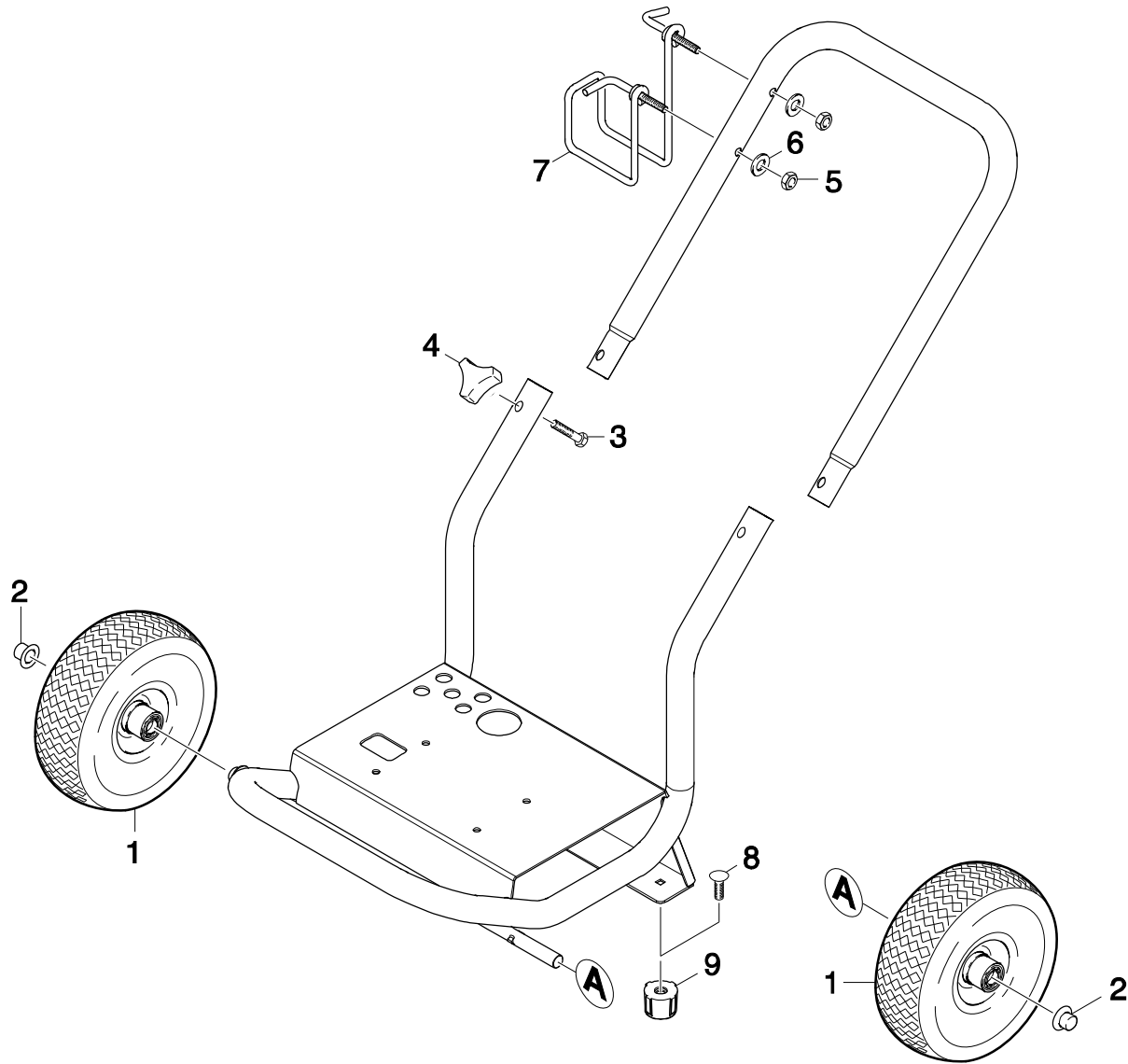
**1.194-509.0 G 3000 OH**

**1.194-510.0 G 2800 OH**

FRAME



FRAME



**FRAME**

POS ITM. POS.	BENENNUNG DESCRIPTION DESIGNATION	TEILE-NR PART-NO NO. PIECE	STCK QTY. NBR	AB WERK-NR FROM SERIAL-NO TO SERIAL-NO	BIS WERK-NR
---------------------	---	----------------------------------	---------------------	---	-------------

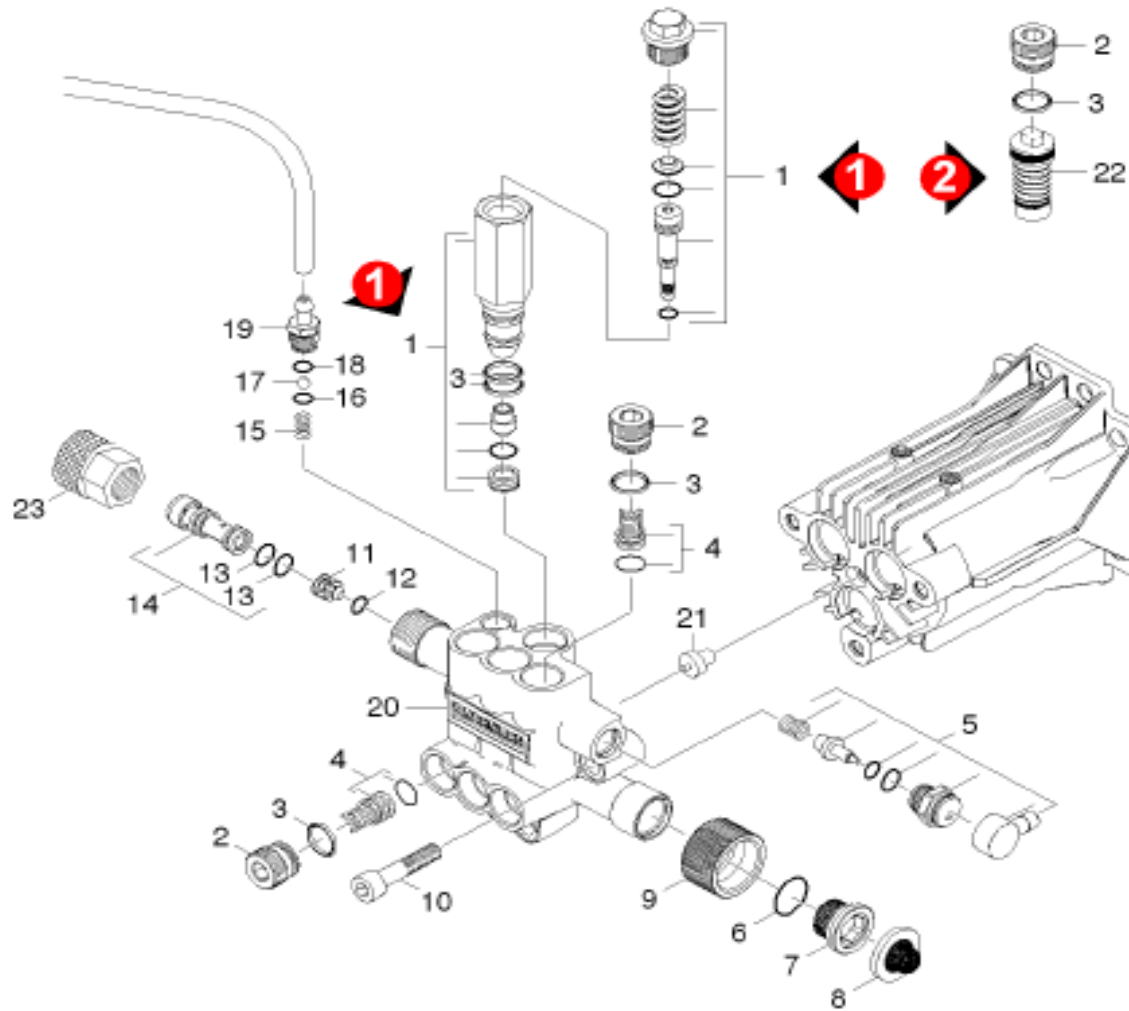
0001	WHEEL	9.189-007.0	2,000		
0002	CAP FASTENER	9.182-004.0	2,000		
0003	BOLT	9.196-307.0	2,000		
0004	KNOB	9.182-353.0	2,000		
0005	NUT	5.310-105.0	2,000		
0006	WASHER	9.198-003.0	2,000		
0007	HANGER RT SIDE	9.142-014.0	1,000		
0008	BOLT	9.196-308.0	2,000		
0009	RUBBER DAMPENER	9.183-405.0	2,000		

PUMP-SET



## 2.1 CYLINDER HEAD

updated 25 Mar 2010



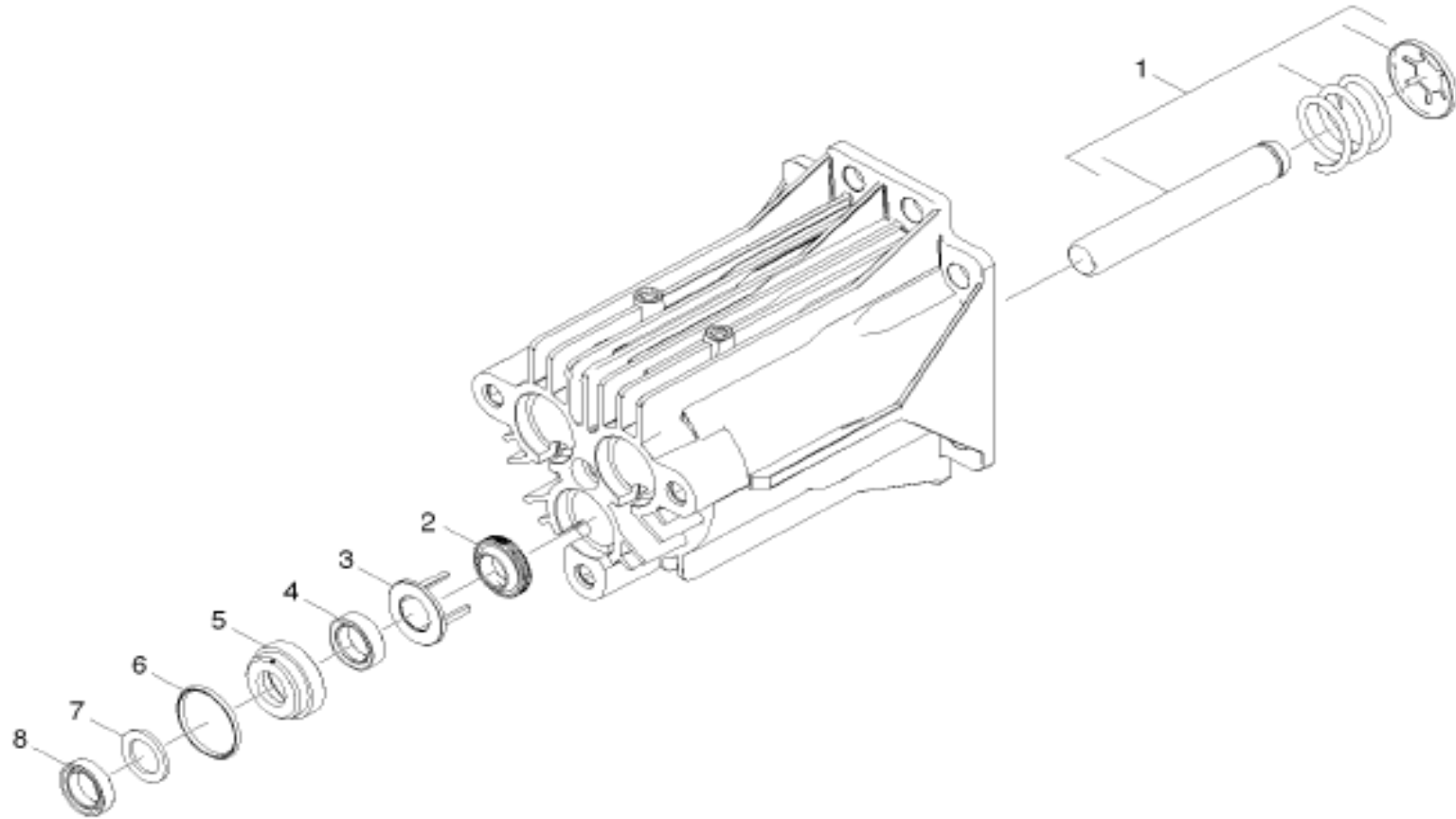
**2.1 CYLINDER HEAD**

updated 25 Mar 2010

POS ITM. POS.	BENENNUNG DESCRIPTION DESIGNATION	TEILE-NR PART-NO NO. PIECE	STCK QTY. NBR	AB WERK-NR FROM SERIAL-NO TO SERIAL-NO	BIS WERK-NR
0001	Unloader Valve Assembly <b>Version 1</b>	9.139-195.0	1,000		
0002	M18 Pipe Plug <b>Version 1</b> <b>Version 2</b>	9.154-036.0	6,000 7,000		
0003	O-Ring Seal 12.42x1.78 <b>Version 1</b> <b>Version 2</b>	6.362-480.0	8,000 7,000		
0004	Valve (3 Pack)	2.884-916.0	2,000		
0005	Thermal Relief Valve	9.139-194.0	1,000		
0006	O-Ring Seal 15.6x1.78	6.362-634.0	1,000		
0007	Male Adapter	9.134-019.0	1,000		
0008	Filter Seal	9.181-005.0	1,000		
0009	Female Hose Connector	9.155-013.0	1,000		
0010	Cylinder Head Screw M8x40-8.8	7.306-075.0	3,000		
0011	Valve Pin Check Valve	5.584-091.0	1,000		
0012	O-Ring Seal 4.0x2.0	6.362-851.0	1,000		
0013	O-Ring Seal 9.0x1.5	6.362-384.0	1,000		
0014	Nozzle Insert	4.769-034.0	1,000		
0015	Helical Spring	5.332-258.0	1,000		
0016	O-Ring Seal 5.28x1.78	6.362-175.0	1,000		
0017	Sphere 7 G40-1.4401	7.401-909.0	1,000		
0018	O-Ring Seal 8.0x1.0	6.362-451.0	1,000		
0019	Chemical Inlet Nipple	5.443-448.0	1,000		
0020	Cylinder Head (Machined)	9.135-004.0	1,000		
0021	Molded Rubber End Cap	9.177-305.0	1,000		
0022	Unloader Valve <b>Version 1</b>	9.175-007.0	1,000		
0023	Quick Connect	9.154-045.0	1,000		

## 2.2 PISTON

updated 25 Mar 2010





**2.2 PISTON**

updated 25 Mar 2010

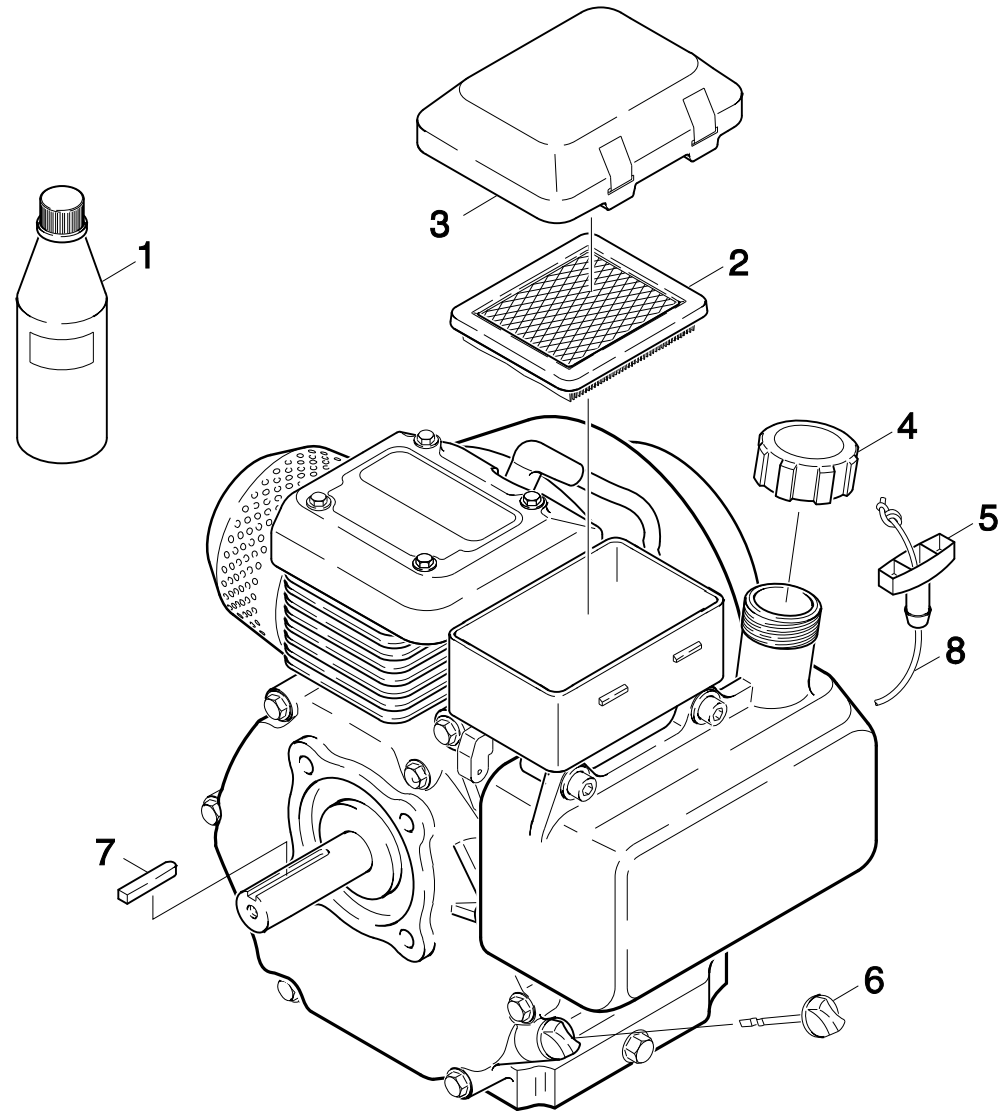
POS ITM. POS.	BENENNUNG DESCRIPTION DESIGNATION	TEILE-NR PART-NO NO. PIECE	STCK QTY. NBR	AB WERK-NR FROM SERIAL-NO TO SERIAL-NO	BIS WERK-NR
---------------------	---	----------------------------------	---------------------	---	-------------

0001	Piston Complete (Spring, Lock Washer & Rod)	9.139-193.0	3,000		
0002	Grooved Ring (Oil Seal) 12x20x4/6	6.365-393.0	3,000		
0003	Spacer	9.134-016.0	3,000		
0004	Grooved Ring (Compact Seal)	6.363-058.0	3,000		
0005	Brass Bushing	9.155-011.0	3,000		
0006	O-Ring Seal 21.5x1.78	6.362-833.0	3,000		
0007	Back Ring Seal	9.177-310.0	3,000		
0008	Grooved Ring (Water Seal)	9.177-301.0	3,000		

MOTOR



MOTOR



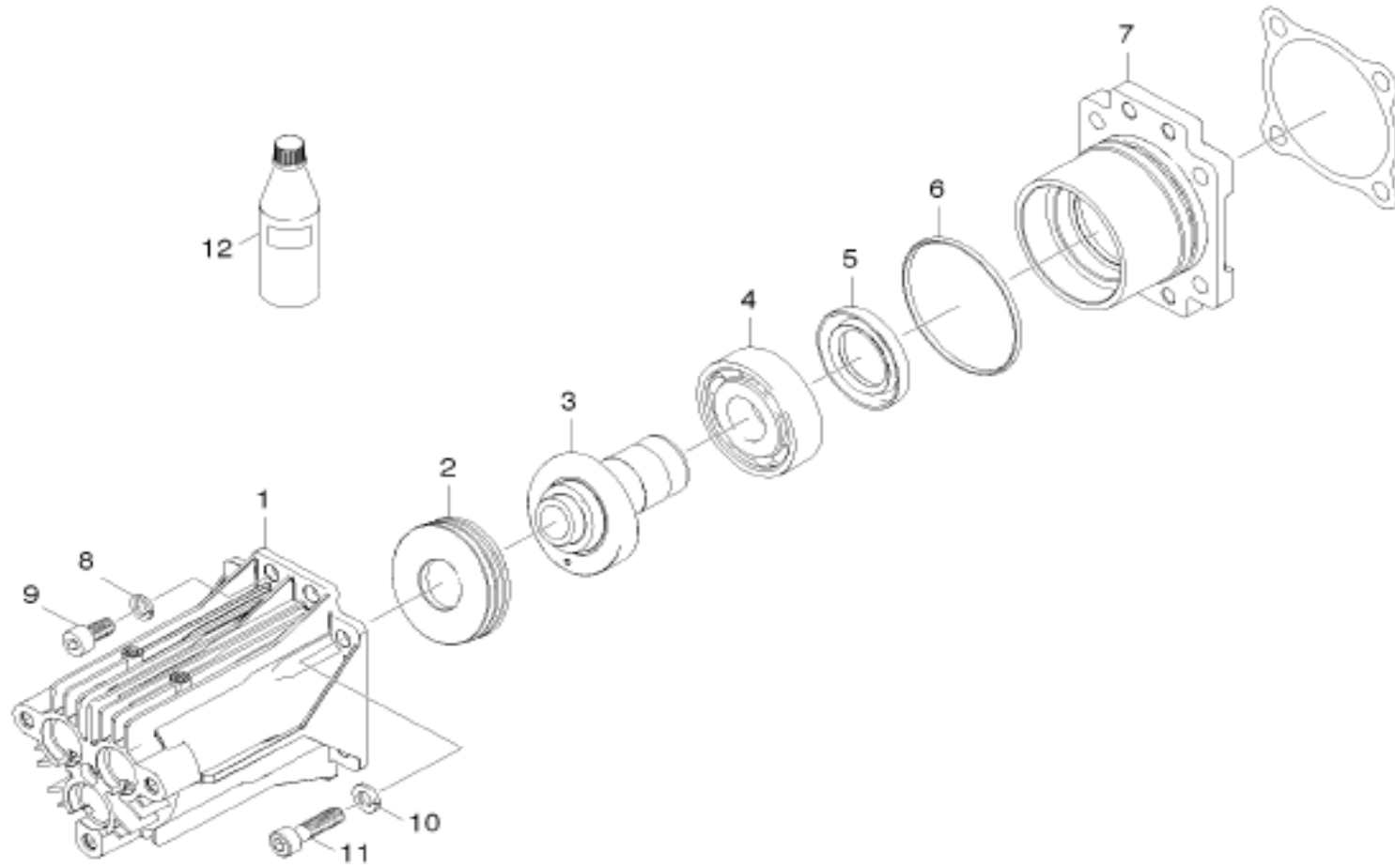
**MOTOR**

POS ITM. POS.	BENENNUNG DESCRIPTION DESIGNATION	TEILE-NR PART-NO NO. PIECE	STCK QTY. NBR	AB WERK-NR FROM SERIAL-NO TO SERIAL-NO	BIS WERK-NR
---------------------	---	----------------------------------	---------------------	---	-------------

0001	OIL 1 LITRE	6.288-050.0	1,000		
0002	AIR FILTER ELEMENT	6.491-726.0	1,000		
0003	COVER	9.194-543.0	1,000		
0004	CAP OF TANK	9.194-548.0	1,000		
0005	HANDLE	6.491-503.0	1,000		
0006	OIL DIP ROD	9.194-531.0	1,000		
0007	SHAFT KEY	9.194-546.0	1,000		
0008	STARTER ROPE	6.491-546.0	1,000		

### 3.2 TRANSMISSION

updated 25 Mar 2010



**3.2 TRANSMISSION**

updated 25 Mar 2010

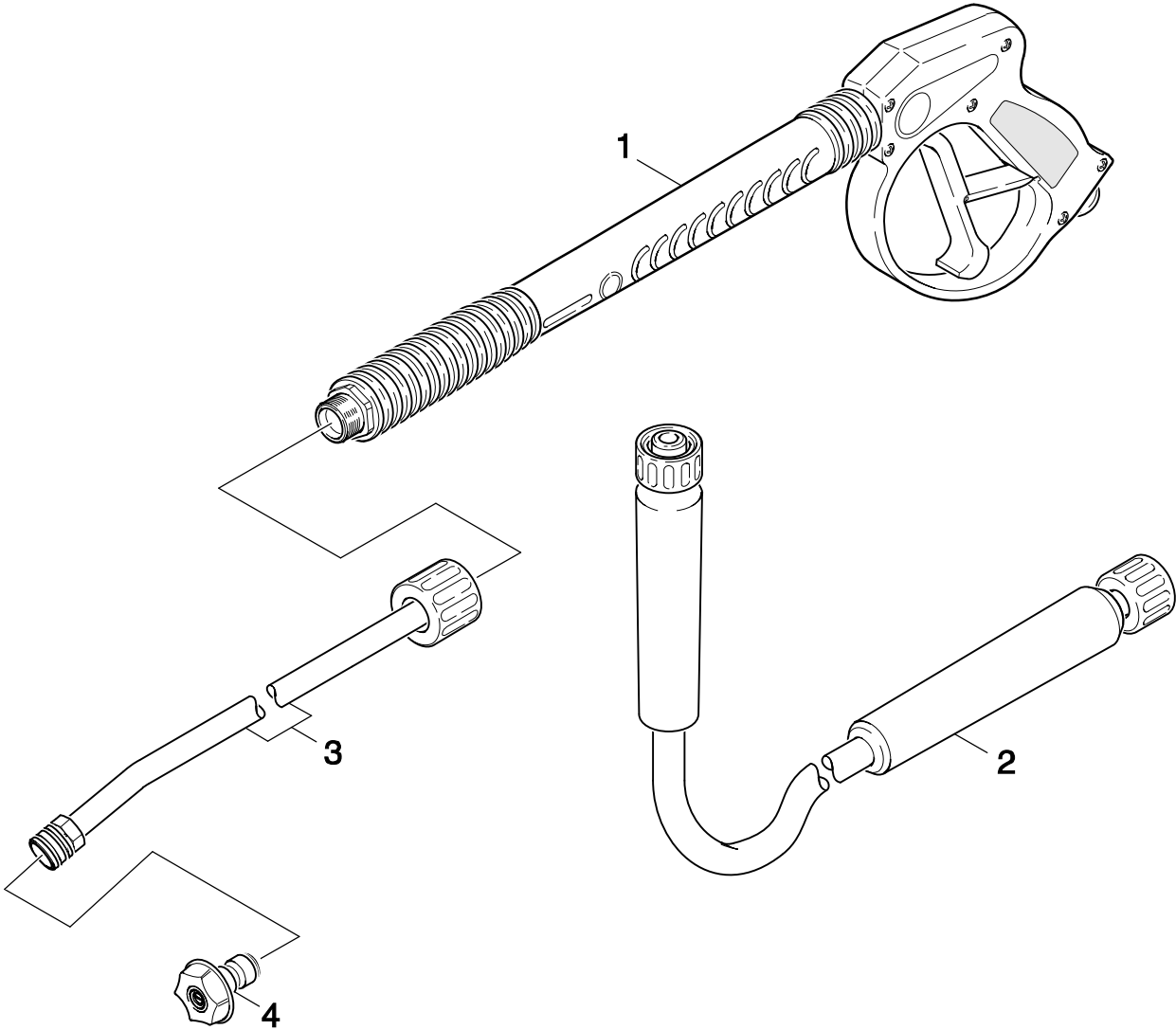
POS ITM. POS.	BENENNUNG DESCRIPTION DESIGNATION	TEILE-NR PART-NO NO. PIECE	STCK QTY. NBR	AB WERK-NR FROM SERIAL-NO TO SERIAL-NO	BIS WERK-NR
---------------------	---	----------------------------------	---------------------	---	-------------

0001	Short Oil Housing & Piston Guide	9.135-006.0	1,000		
0002	Grooved Ball Bearing	9.165-355.0	1,000		
0003	Molded Sleeve - Wobble Shaft (Machined)	9.154-037.0	1,000		
0004	Angular Contact Ball Bearing	6.401-260.0	1,000		
0005	Radial Seal 30.0x52.0x7.0	9.177-309.0	1,000		
0006	O-Ring Seal 63.17x2.62	6.362-537.0	1,000		
0007	Flanged Spacer (Machined)	9.135-005.0	1,000		
0008	Spring Washer	7.313-051.0	4,000		
0009	Cylinder Head Screw M8-16-8.8	7.306-040.0	4,000		
0010	5/16" Split Lock Washer	5.115-656.0	4,000		
0011	5/16"-24x1 GR5 Bolt	6.965-007.0	4,000		
0012	Pump Oil 1L 15w-40	6.288-112.0	1,000		

**ACCESSORIES**



TRIGGER GUN





**TRIGGER GUN**

POS ITM. POS.	BENENNUNG DESCRIPTION DESIGNATION	TEILE-NR PART-NO NO. PIECE	STCK QTY. NBR	AB WERK-NR FROM SERIAL-NO TO SERIAL-NO	BIS WERK-NR
---------------------	---	----------------------------------	---------------------	---	-------------

0001	TRIGGER GUN	9.112-009.0	1,000		
0002	HP HOSE	9.162-314.0	1,000		
0003	LANCE	9.112-508.0	1,000		
0004	QUICK CONNECT NOZZLE KIT	9.104-016.0	1,000		