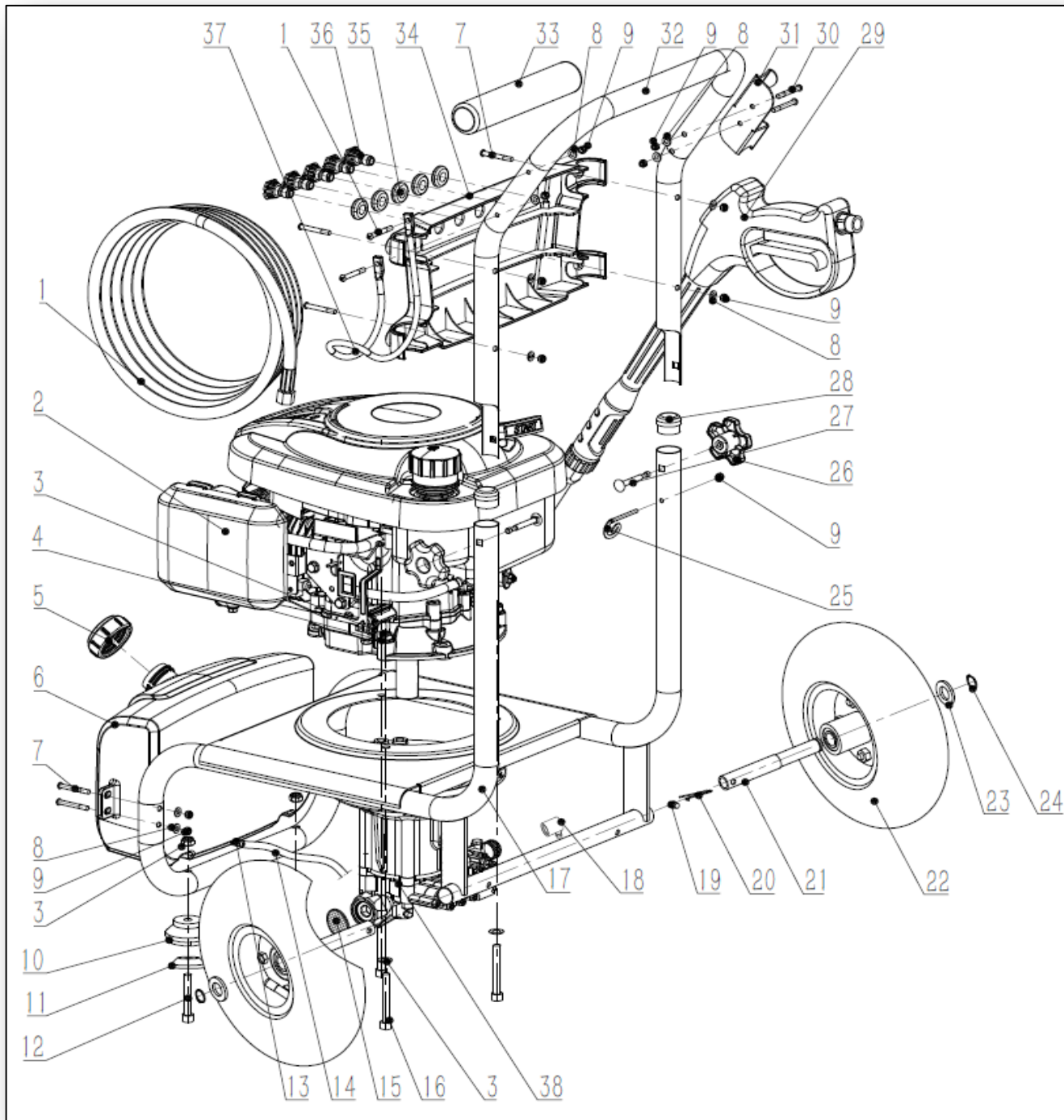

G 2700 GAS PRESSURE WASHER (1.107-266.0)	1
MODEL OVERVIEW	2-3
10 SPARE PART LIST, G2700	4
10 FRAME	5
20 SPARE PART LIST, G2700	6
20 PUMP	7
30 SPARE PART LIST, G2700	8
30 MOTOR	9
40 SPARE PART LIST, G2700	10
41 SPARE PART LIST, G2700 ACCESSORIES - TRIGGER GUN	11
41 ACCESSORIES - TRIGGER GUN	12
42 SPARE PART LIST, G2700 ACCESSORIES - HIGH PRESSURE HOSE	13
42 ACCESSORIES - HIGH PRESSURE HOSE	14
43 SPARE PART LIST, G2700 ACCESSORIES - SPRAY WAND / LANCE	15
43 ACCESSORIES - SPRAY WAND / LANCE	16
44 SPARE PART LIST, G2700 ACCESSORIES - NOZZLES	17
44 ACCESSORIES - NOZZLES	18

Model: G2700 Kärcher P/N: 1.107-266.0, Overview



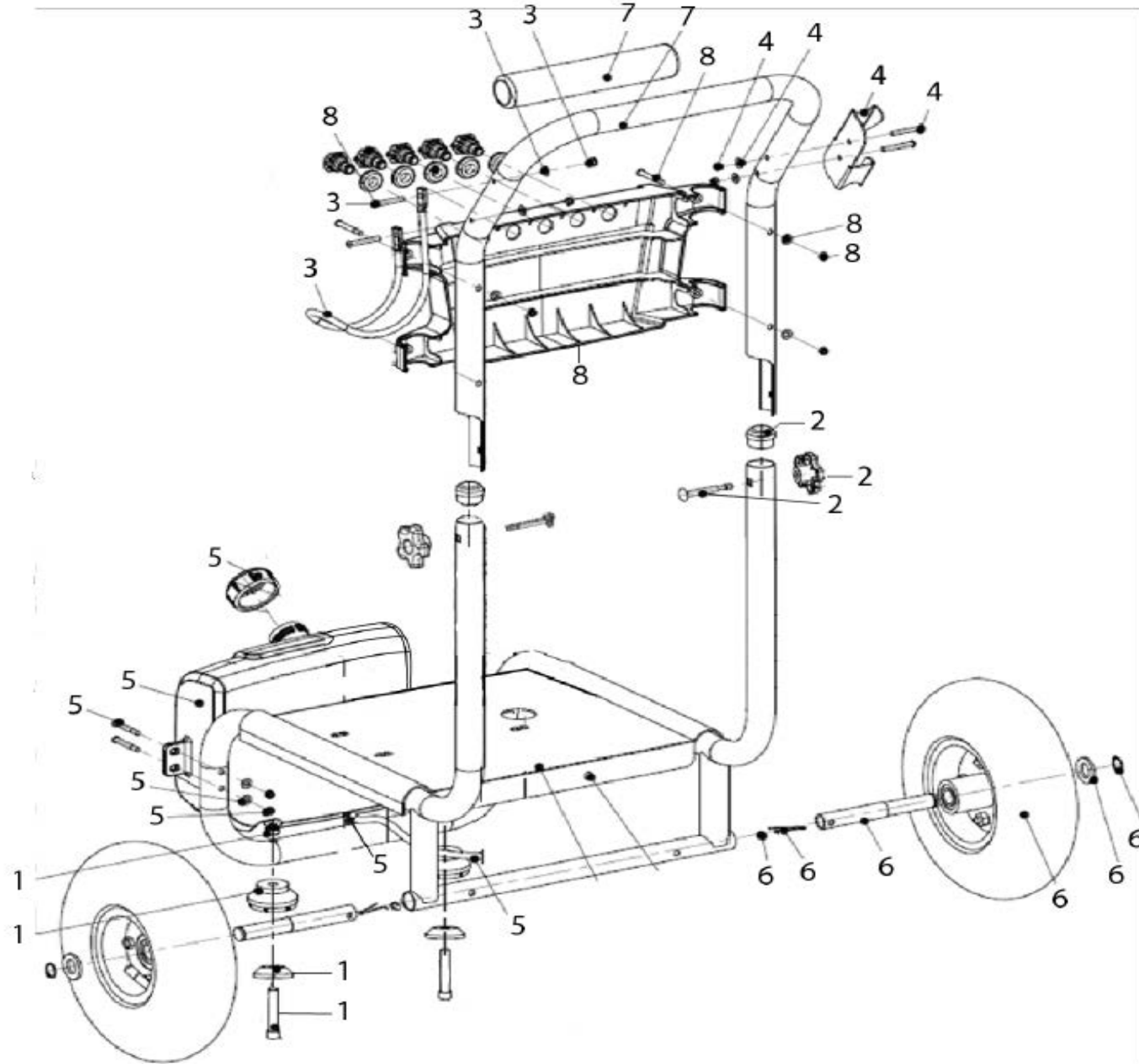
Model: G2700 Kärcher P/N: 1.107-266.0, Overview

1	High Pressure Hose
2	Engine
3	Locknut
4	Plain Washer
5	Detergent Bottle Cap
6	Detergent Bottle
7	Cross Pan Head Screw
8	Plain Washer
9	Locknut
10	Rubber Footpad
11	Bracket
12	Inner Hexagon Bolt
13	Injection Hose Circlip
14	Injection Hose
15	Inlet Filter
16	Inner Hexagon Bolt
17	Lower Frame Assembly
18	Thermal Valve
19	Clips
20	Spring Wire
21	Wheel Axle
22	Wheel
23	Plain Washer
24	Circlip
25	Hook
26	Fixed Nut Component

27	Square Neck Bolt
28	Plug
29	High Pressure Gun
30	Cross Pan Head Screw
31	Gun Hooker
32	Upper Frame
33	Handrail Foam
34	Panel
35	Nozzle Pad
36	Nozzle
37	Hose Hooker
38	Pump - Vertical Mount
39	Name Plate Label
40	Engine Cover Label <input type="checkbox"/>
41	Oil Filling Label <input type="checkbox"/>
42	Warning Label
43	Carb Label
44	Oil Hang Tag
45	O-Ring label
46	Serial No. Tag
47	Manual
48	Box
49	Oil Bottle 20 OZ.
50	Label Oil Bottle Front
51	Label Oil Bottle Back

POS Description

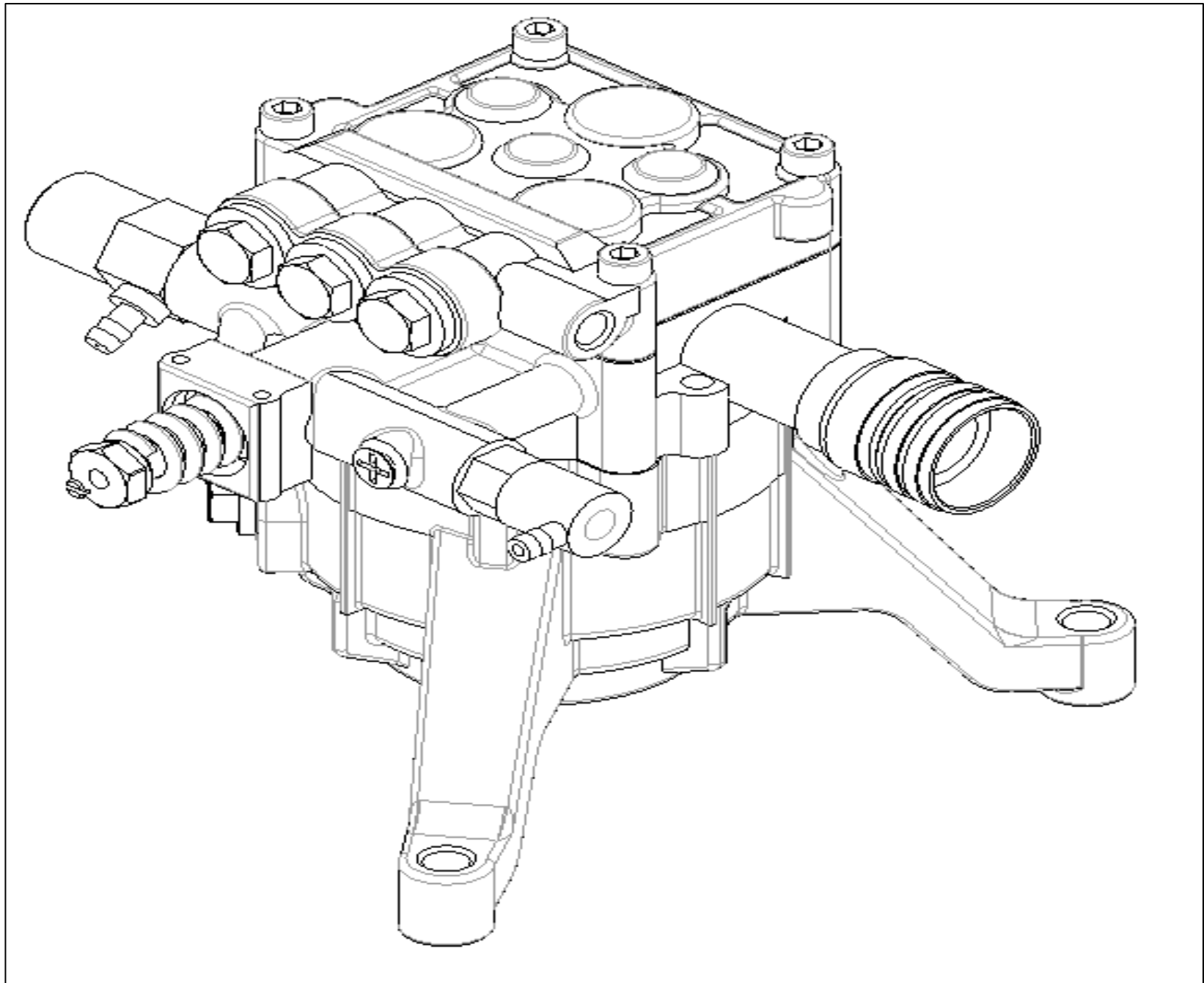
10 FRAME



POS	Article no.	Description	Quantity	Unit	Foot note text
1	8.755-629.0	SERVICE KIT 1 RUBBER PAD	1.000	ST	ARTICLE ONLY AVAILABLE AT KNA
2	8.755-630.0	SERVICE KIT 2 HANDLE KNOB	1.000	ST	ARTICLE ONLY AVAILABLE AT KNA
3	8.755-631.0	SERVICE KIT 3 HOOK	1.000	ST	ARTICLE ONLY AVAILABLE AT KNA
4	8.755-633.0	SERVICE KIT 5 BRACKET GUN G2700/G3000	1.000	ST	ARTICLE ONLY AVAILABLE AT KNA
5	8.755-635.0	SERVICE KIT 7 DETERGENT TANK G2700/G3000	1.000	ST	ARTICLE ONLY AVAILABLE AT KNA
6	8.755-637.0	SERVICE KIT 9 WHEEL G2700/G3000	1.000	ST	ARTICLE ONLY AVAILABLE AT KNA
7	8.755-639.0	SERVICE KIT 11 FRAME HANDLE UPR G2700/G3000	1.000	ST	ARTICLE ONLY AVAILABLE AT KNA
8	8.755-641.0	SERVICE KIT 13 NOZZLE G2700/G3000	1.000	ST	ARTICLE ONLY AVAILABLE AT KNA

POS Description

20 PUMP



POS	Article no.	Description	Quantity	Unit	Foot note text
1	8.755-744.0	G2700 PUMP KIT 23	1.000	ST	ARTICLE ONLY AVAILABLE AT KNA

POS	Description
-----	-------------

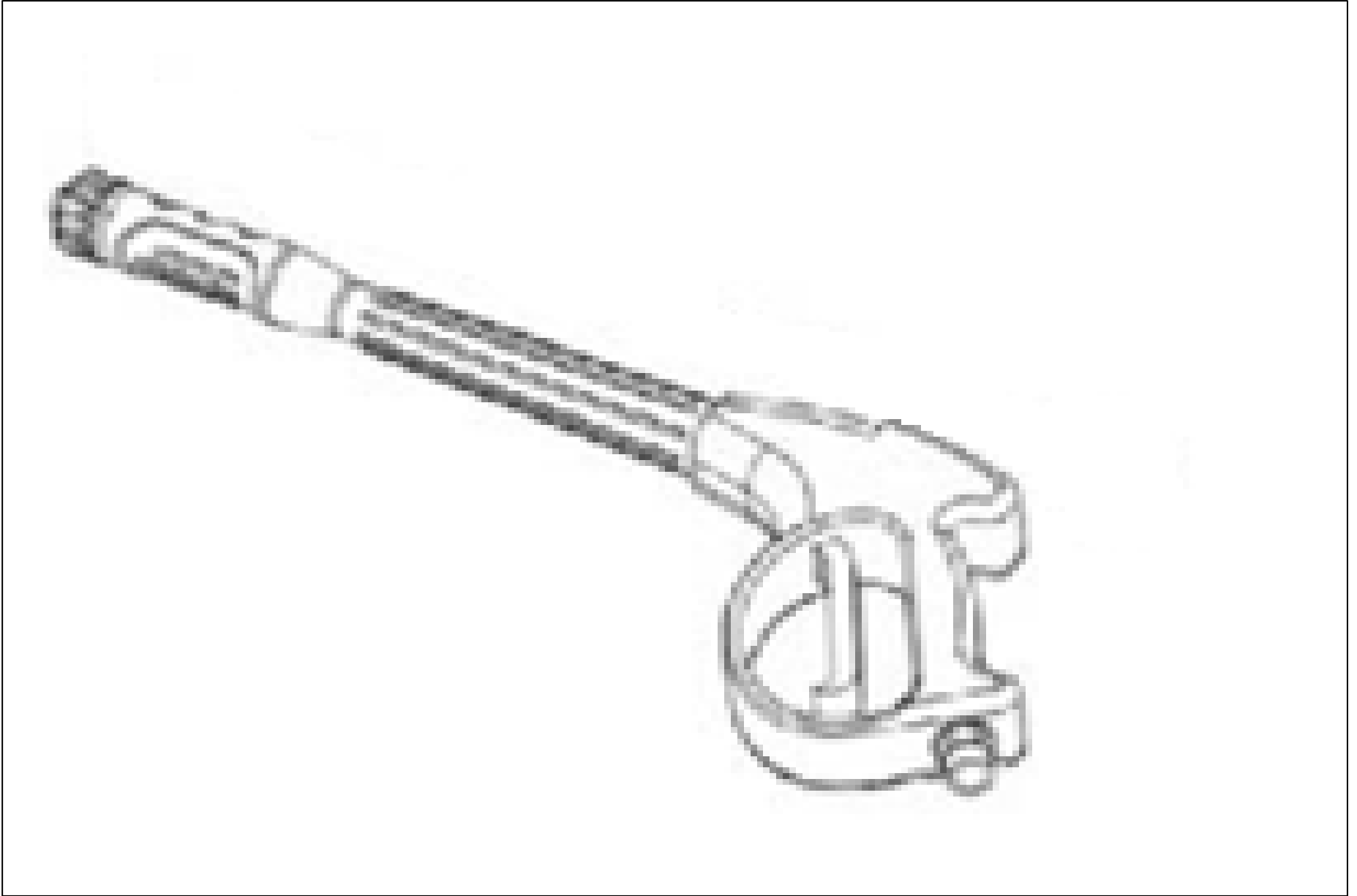
30	MOTOR
----	-------

POS	Article no.	Description	Quantity	Unit	Foot note text
-----	-------------	-------------	----------	------	----------------

POS	Description
40	ACCESSORIES -
41	TRIGGER GUN
42	HIGH PRESSURE HOSE
43	SPRAY WAND / LANCE
44	NOZZLES

POS Description

41 ACCESSORIES - TRIGGER GUN

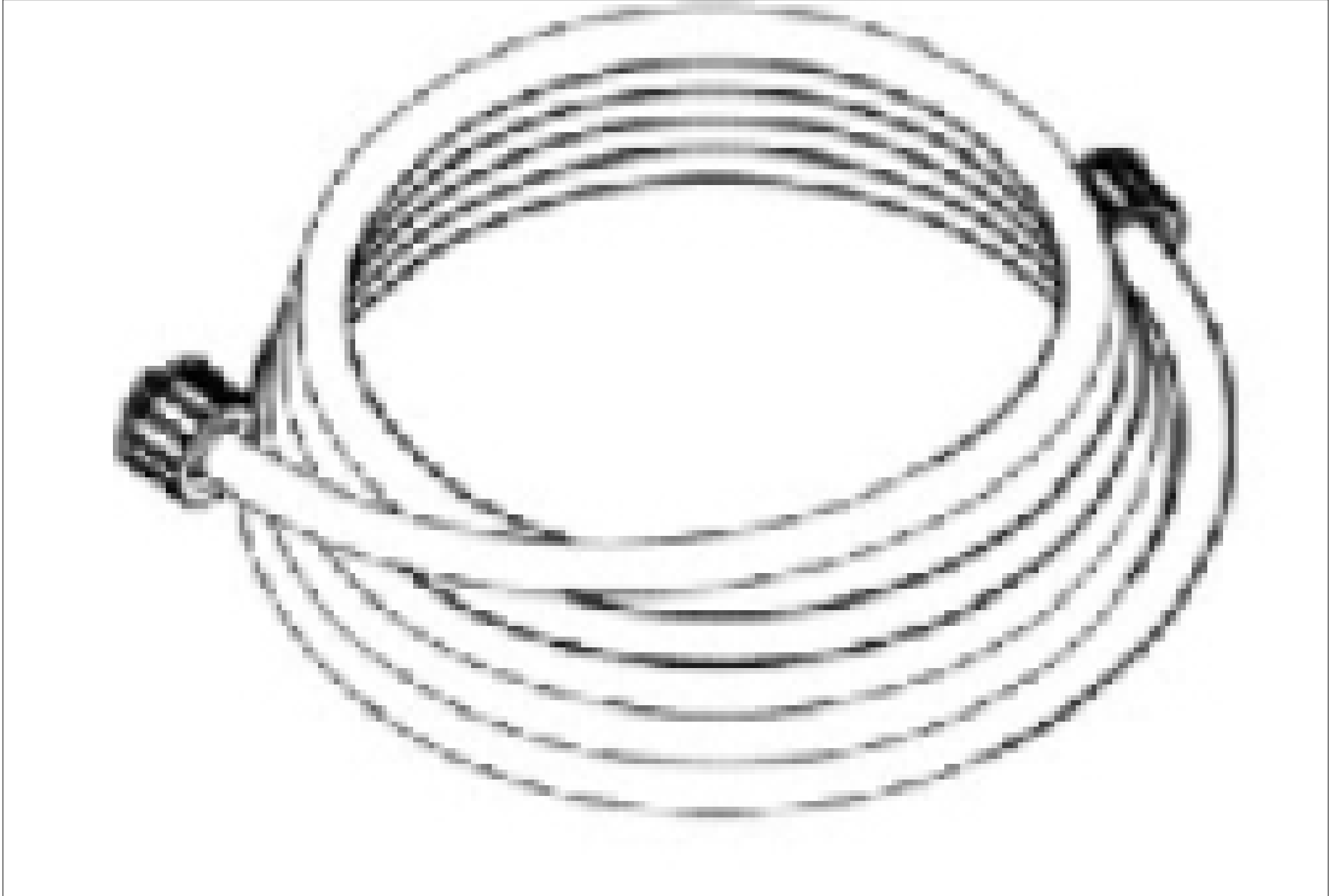


41 ACCESSORIES - TRIGGER GUN

POS	Article no.	Description	Quantity	Unit	Foot note text
1	8.750-825.0	TRIGGER GUN	1.000	ST	ARTICLE ONLY AVAILABLE AT KNA
	2.880-990.0	O-RING 10.0x2.0 (5-PACK)	1.000	ST	ARTICLE ONLY AVAILABLE AT KNA

POS Description

42 ACCESSORIES - HIGH PRESSURE HOSE

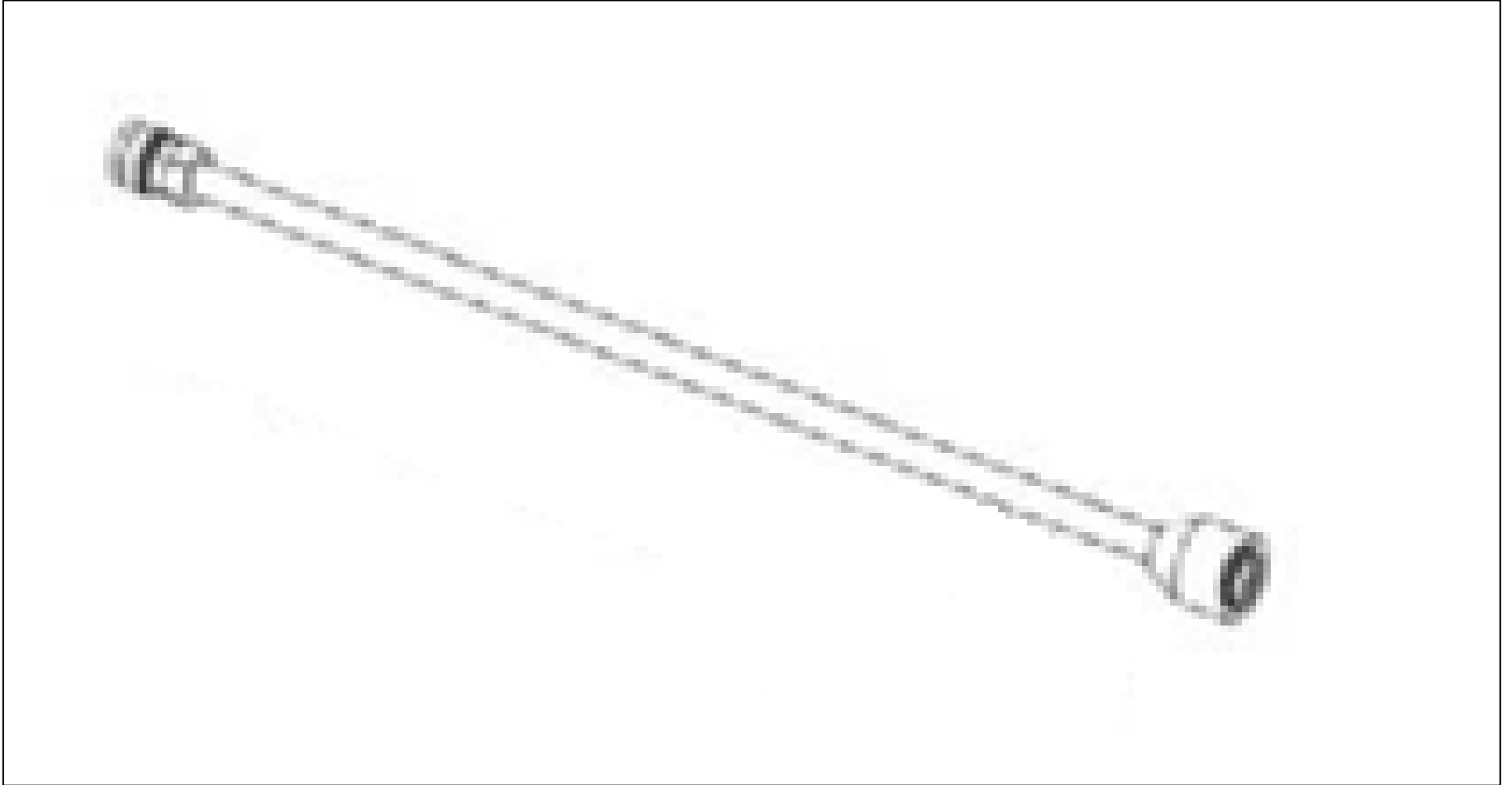


42 ACCESSORIES - HIGH PRESSURE HOSE

POS	Article no.	Description	Quantity	Unit	Foot note text
1	9.162-302.0	HIGH PRESSURE HOSE 25'	1.000	ST	ARTICLE ONLY AVAILABLE AT KNA
	2.880-990.0	O-RING 10.0x2.0 (5-PACK)	1.000	ST	ARTICLE ONLY AVAILABLE AT KNA

POS Description

43 ACCESSORIES - SPRAY WAND / LANCE

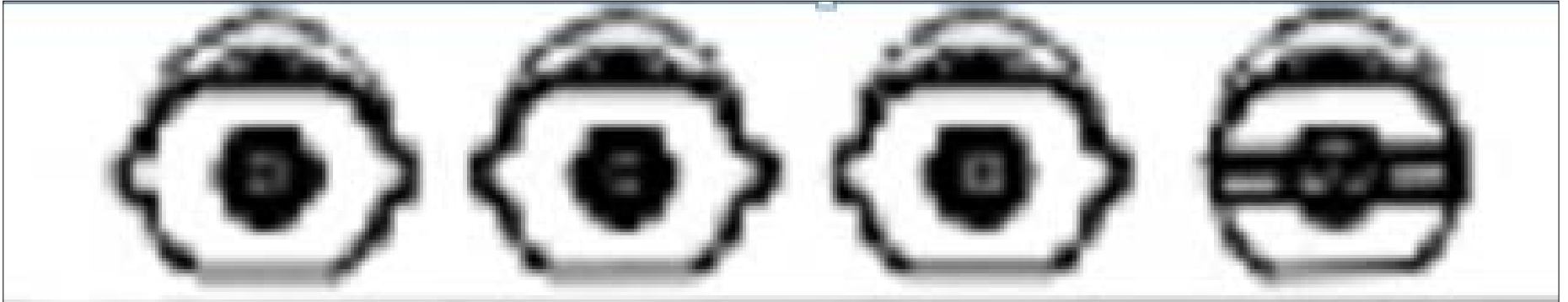


43 ACCESSORIES - SPRAY WAND / LANCE

POS	Article no.	Description	Quantity	Unit	Foot note text
1	9.112-533.0	SPRAY WAND / LANCE 22"	1.000	ST	ARTICLE ONLY AVAILABLE AT KNA
2		O-RING FOR QUICK CONNECT	1.000	ST	ARTICLE ONLY AVAILABLE AT KNA

POS Description

44 ACCESSORIES - NOZZLES



POS	Article no.	Description	Quantity	Unit	Foot note text
1	8.726-117.0	QUICK CONNECT NOZZLES 030 4-PACK	1.000	ST	
	8.723-576.0	QUICK CONNECT NOZZLE RED 00030	1.000	ST	PURCHASE INDIVIDUALLY
	8.902-482.0	QUICK CONNECT NOZZLE YELLOW 15030	1.000	ST	NOT SHOWN PURCHASE INDIVIDUALLY
	8.902-484.0	QUICK CONNECT NOZZLE GREEN 25030	1.000	ST	PURCHASE INDIVIDUALLY
	8.902-485.0	QUICK CONNECT NOZZLE WHITE 40030	1.000	ST	PURCHASE INDIVIDUALLY
	8.723-636.0	QUICK CONNECT NOZZLE SOAP	1.000	ST	PURCHASE INDIVIDUALLY