



Spare parts list

(11945130) G 2650 OH

2006 02

91391870

www.kaercher.com

EN

CONTENT LIST

1.0 Frame

2.0 Pump set

2.1 Cylinder head

2.2 Piston

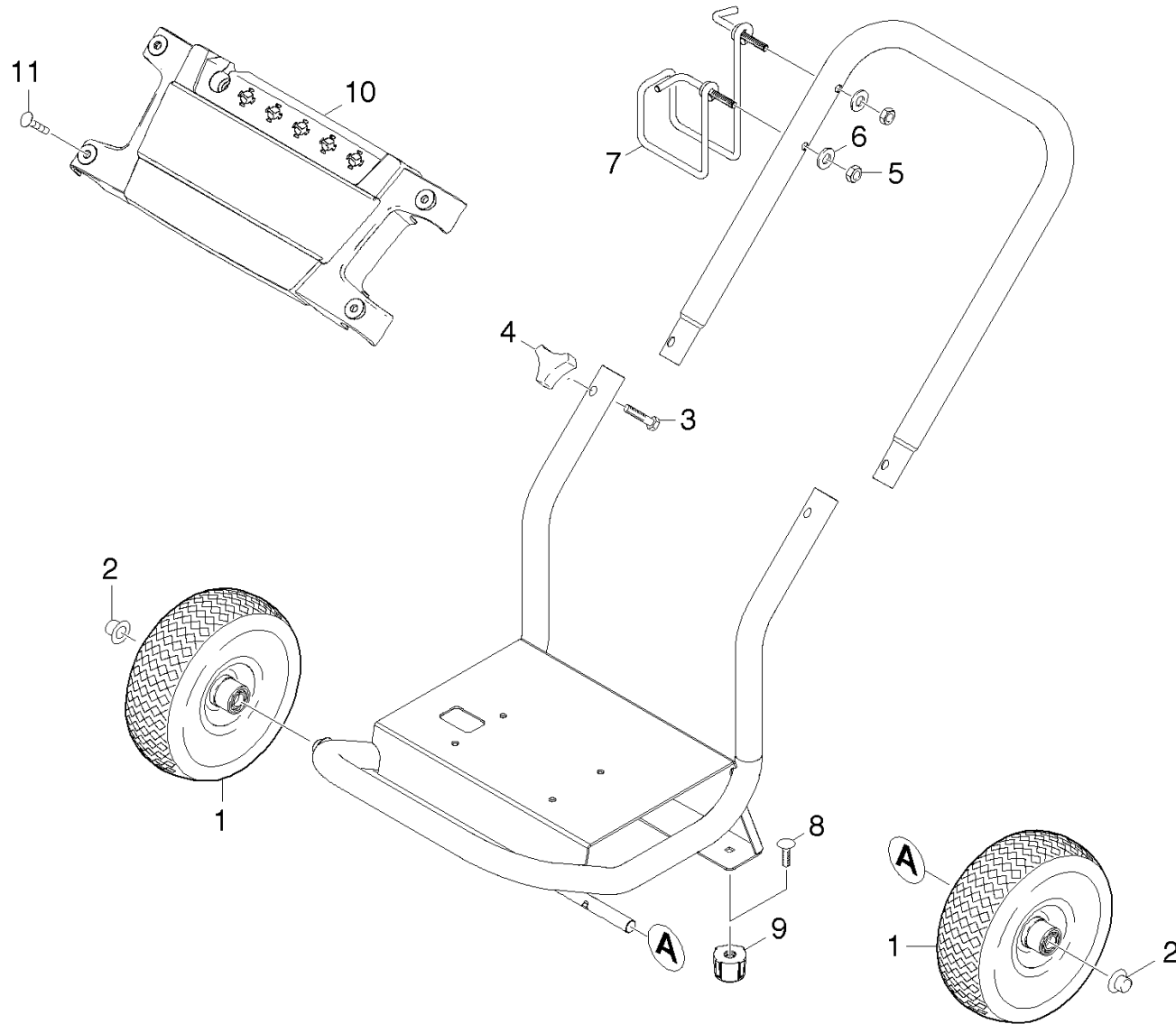
3.0 Motor

3.1 Motor

3.2 Transmission

4.0 Accessories

1.0 Frame



1.0 Frame

POS	DESCRIPTION ADDITIONAL INFORMATIONS	PART NO	QTY.	FROM SER.NR.	UP TO SER. NR.
1	WHEEL 10" X 3.50" PNEU	91890070	2		
2	CAP FASTENER 5/8" STL GALV	91820040	2		
3	1/4-20 x 1-1/2 GR 2 HEX BOLT ZINC	91963070	2		
4	KNOB 1/4"-20,3PT. STAR	91823530	2		
5	5/16"-18 FINISHED HEX NUT ZINC	53101050	2		
6	5/16 INTERNAL L/W .332 ID X .620 OD ZINC	91980030	2		
7	HANGER RT SIDE	91420140	1		
8	5/16-18 X 1/2 CARRIAGE BOLT A307 BLK	91963080	1		
9	RUBBER DAMPENER 5/16"-18FEMALE 2001	91834050	1		
10	Name plate	91340220	1		
11	Nylon Rivet	91960490	4		

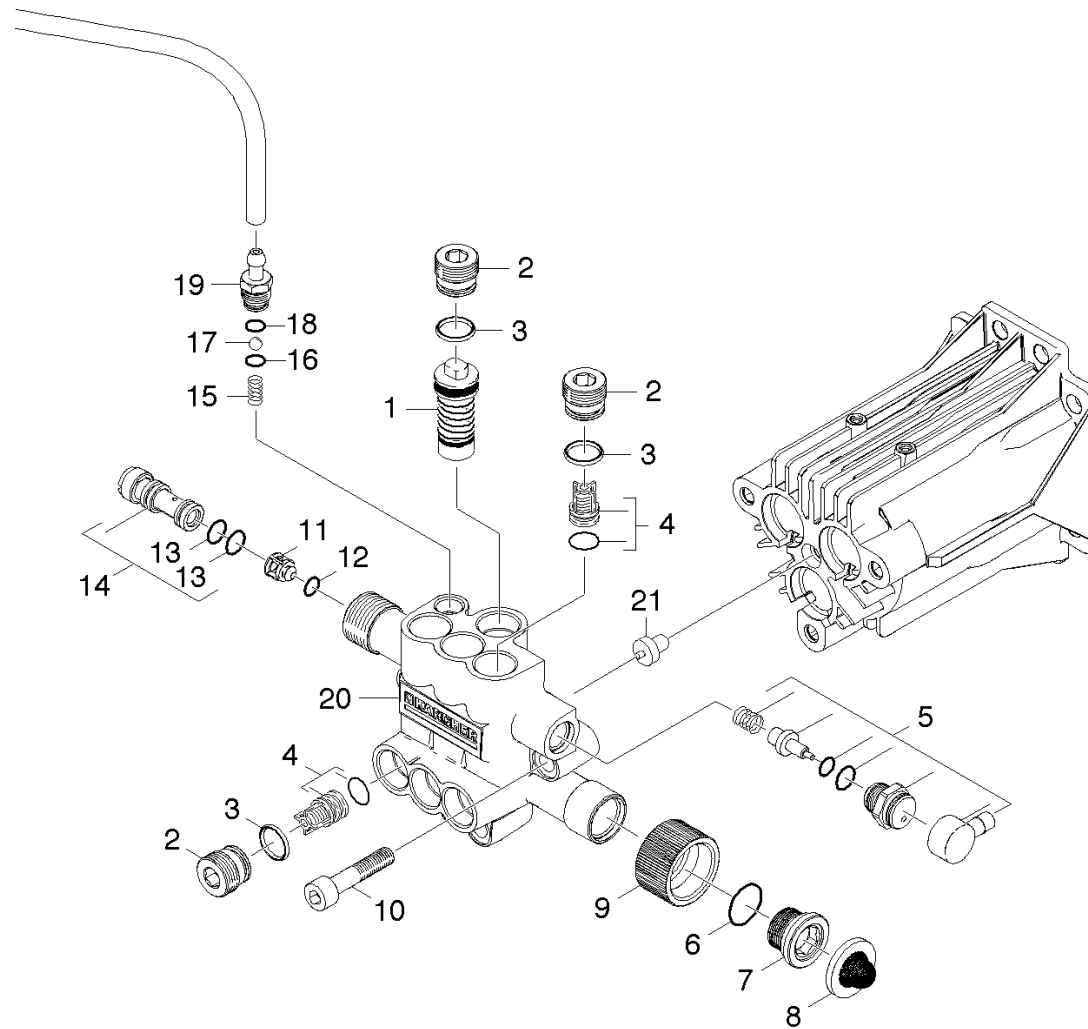
2.0 Pump set

2.1 Cylinder head

2.2 Piston



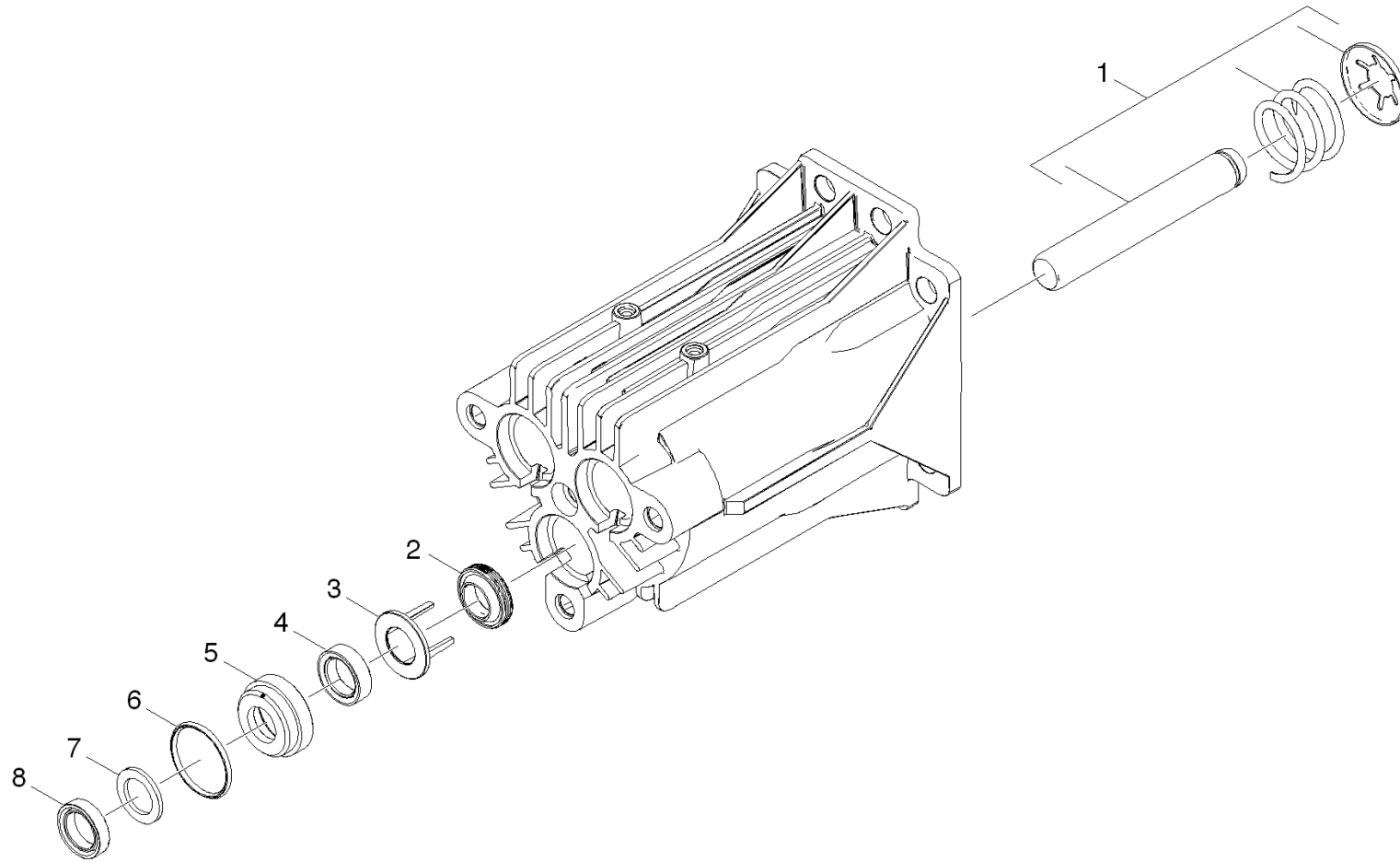
2.1 Cylinder head



2.1 Cylinder head

POS	DESCRIPTION ADDITIONAL INFORMATIONS	PART NO	QTY.	FROM SER.NR.	UP TO SER. NR.
1	Unloader Assembly	91750070	1		
2	M18 PIPE PLUG	91540360	7		
3	O-Ring seal 12,42x 1,78	63624800	9		
4	Valve complete	45803710	6		
5	SPARE PARTS LIST-SET2	91391940	1		
6	O-Ring seal 15,6 x 1,78-NBR 70	63626340	1		
7	MALE ADAPTER	91340190	1		
8	FILTER SEAL-HOSE CONNECTOR-	91810050	1		
9	FEMALE HOSE CONNECTOR	91550130	1		
10	Cylinder head screw M 8x 40-8.8-A2E ISO	73060750	3		
11	Valve pin check valve	55840910	1		
12	O-Ring d. 4 x 2 NBR 90	63628510	1		
13	O-Ring seal 9,0 x 1,5	63623840	1		
14	Nozzle insert only for replacement	47690340	1		
15	Helical spring	53322580	1		
16	O-Ring seal 5,28x 1,78	63621750	1		
17	Sphere 7 G40 -1.4401 DIN 5401	74019090	1		
18	O-Ring seal 8,0 x 1,0	63624510	1		
19	Nipple chemistry	54434480	1		
20	CYLINDER HEAD-MACHINED	91350040	1		
21	MOLDED RUBBER END CAP	91773050	1		

2.2 Piston



2.2 Piston

POS	DESCRIPTION ADDITIONAL INFORMATIONS	PART NO	QTY.	FROM SER.NR.	UP TO SER. NR.
1	SPARE PARTS LIST-SET1	91391930	3		
2	Oil sealing 12x20x4/6	63653930	3		
3	SPACER-OIL SEAL & SEAL HSG.	91340160	3		
4	Grooved ring	63630580	3		
5	HOUSING-LOW PRESSURE SEAL	91550110	3		
6	O-Ring seal 21,5 x 1,78	63628330	3		
7	BACK RING-HIGH PRESSURE SEAL-	91773100	3		
8	HIGH PRESSURE SEAL	91773010	3		

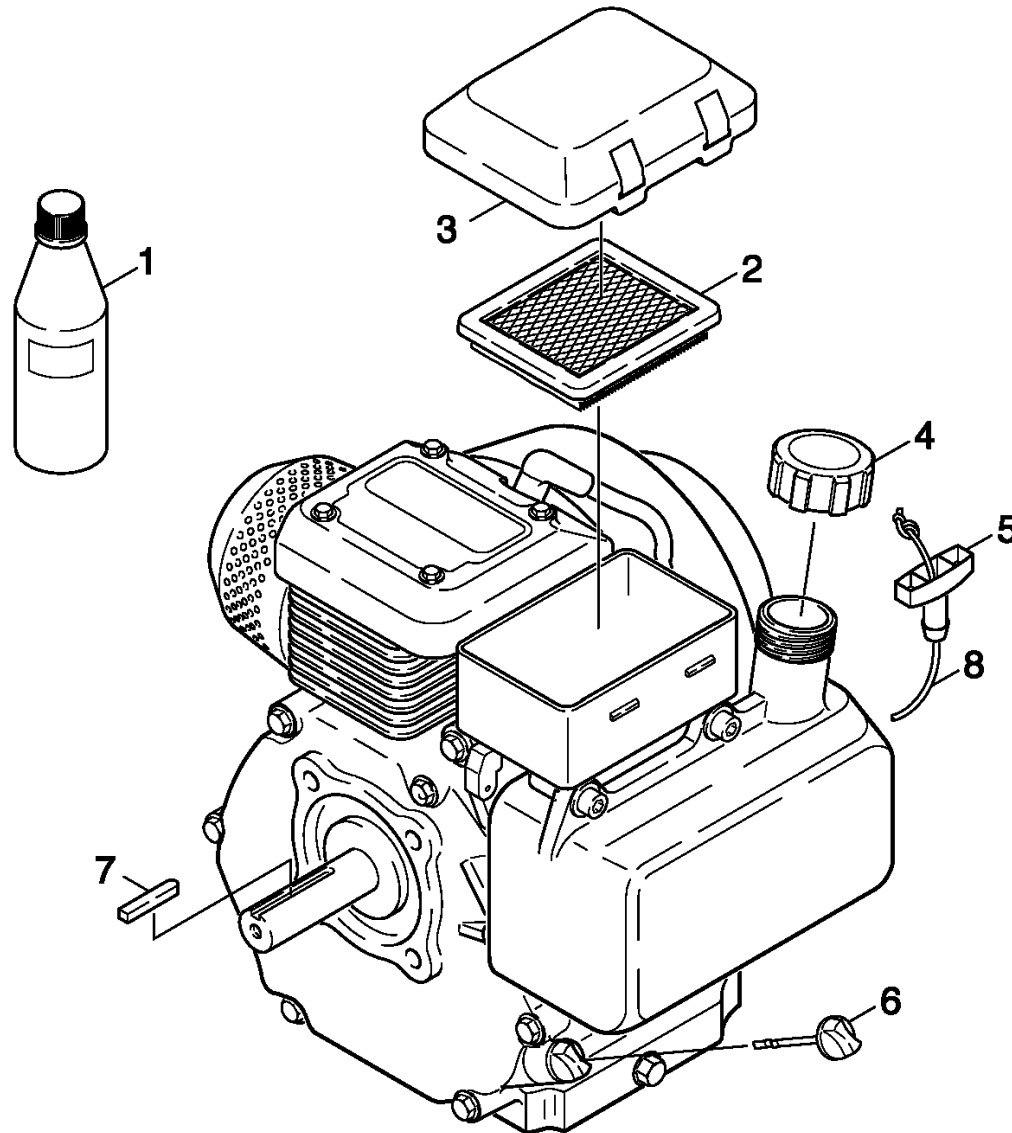
3.0 Motor

3.1 Motor

3.2 Transmission



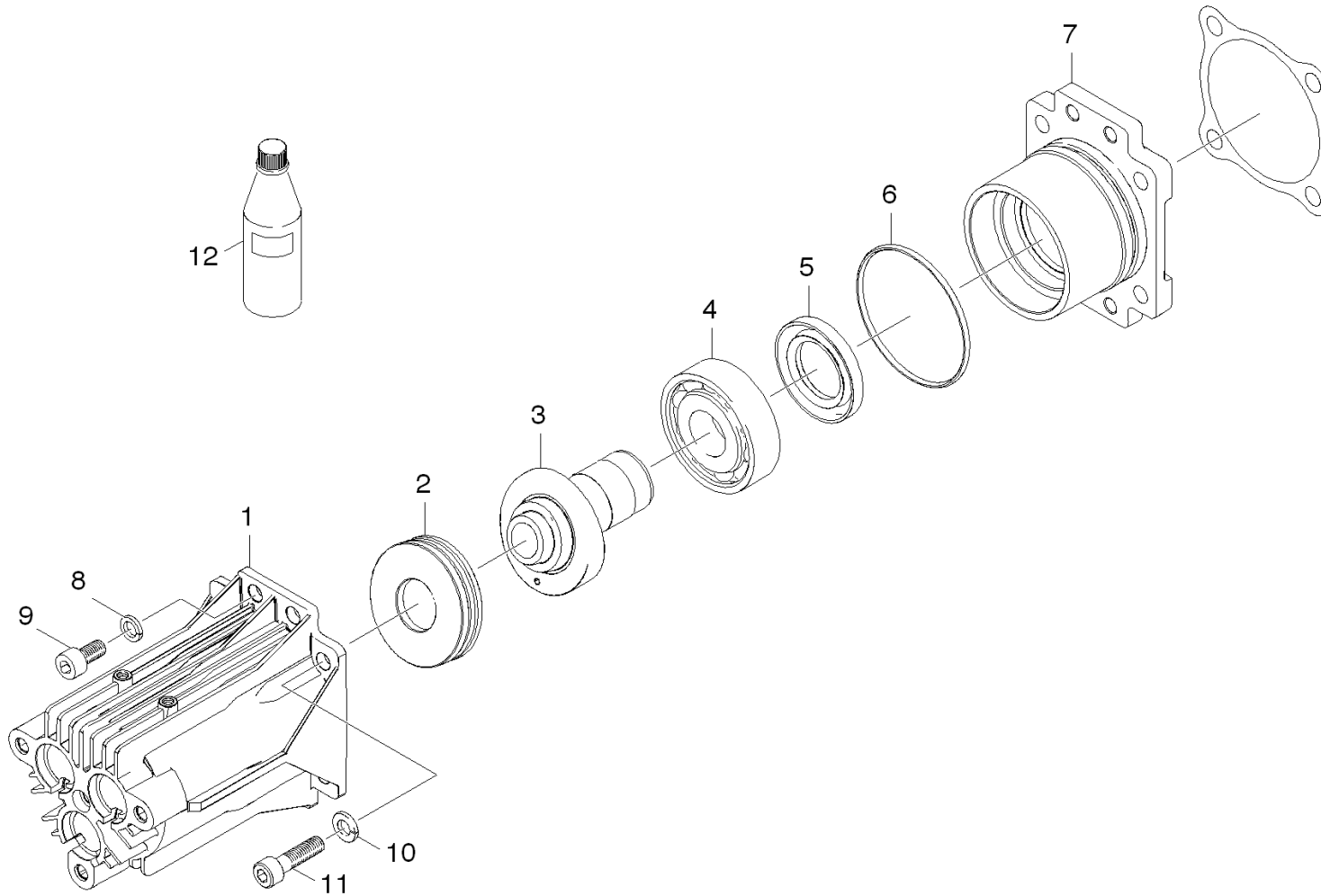
3.1 Motor



3.1 Motor

POS	DESCRIPTION ADDITIONAL INFORMATIONS	PART NO	QTY.	FROM SER.NR.	UP TO SER. NR.
1	OIL 1 LITRE	62880500	1		
2	AIR FILTER ELEMENT	64917260	1		
3	COVER	91945430	1		
4	GC 160 GAS CAP	91945480	1		
5	HANDLE	64915030	1		
6	OIL DIP ROD	91945310	1		
7	SHAFT KEY 3/16" SQ X 1.5"	91945460	1		
8	STARTER ROPE	64915460	1		

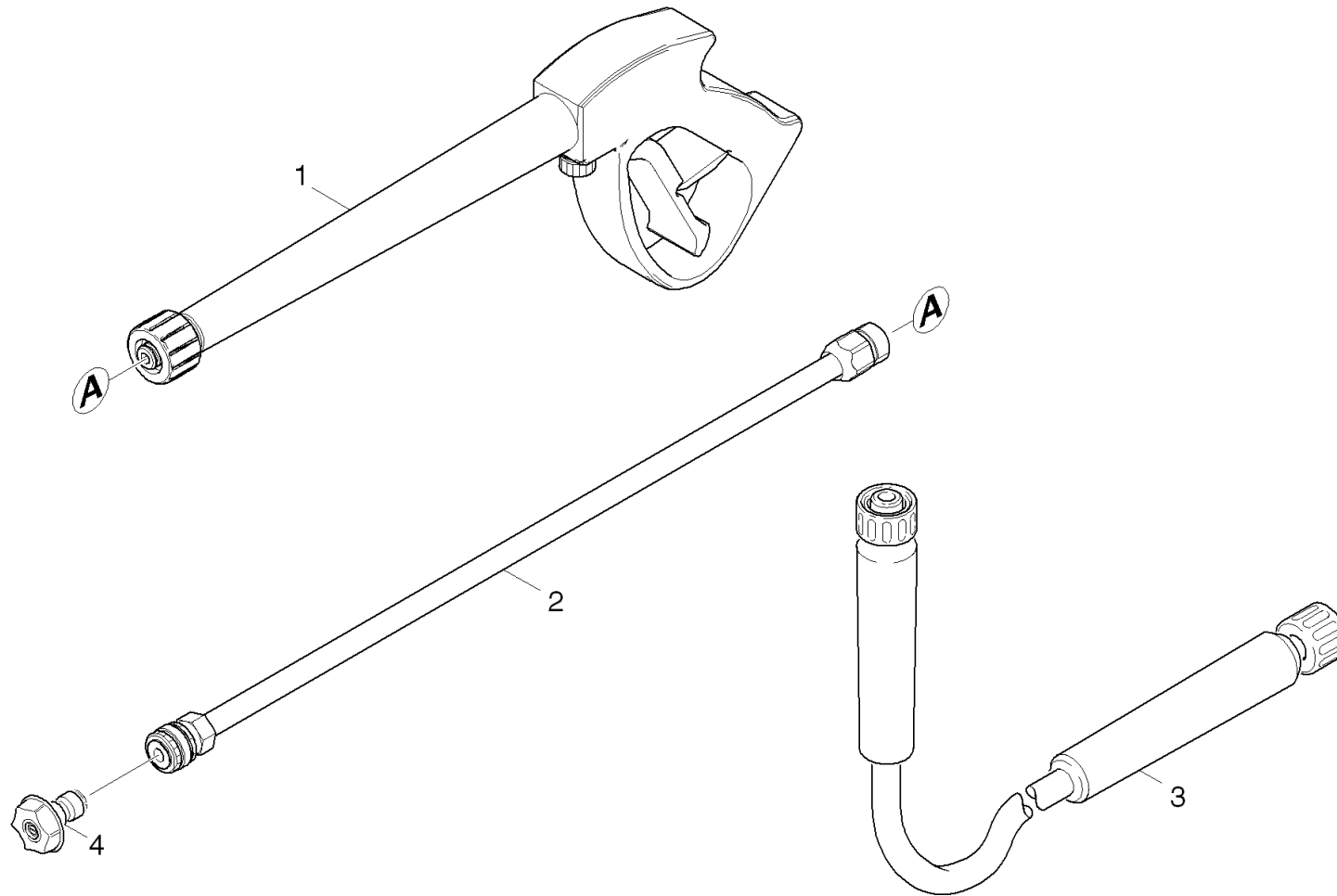
3.2 Transmission



3.2 Transmission

POS	DESCRIPTION ADDITIONAL INFORMATIONS	PART NO	QTY.	FROM SER.NR.	UP TO SER. NR.
1	SHORT OIL HOUSING AND PISTON GUIDE	91350060	1		
2	GROOVED BALL BEARING	91653550	1		
3	MOLDED SLEEVE-WOBBLE SHAFT-MACHINED-	91540370	1		
4	Angular contact ball bearing	64012600	1		
5	RADIAL SEAL, 30 x 52 x 7	91773090	1		
6	O-Ring seal 63,17x 2,62	63625370	1		
7	FLANGE SPACER-MACHINED-	91350050	1		
8	Spring washer 8-FST-A3E DIN 7980	73130510	4		
9	Cylinder head screw M8x16 -8.8-A2E ISO4	73060400	4		
10	5/16" SPLIT LOCK WASHER ZINC	51156560	4		
11	5/16-24X1 GR 5 SHCS THRU HARDENED ZC	69650070	4		
12	Engine oil 1L	62881120	1		

4.0 Accessories



4.0 Accessories

POS	DESCRIPTION ADDITIONAL INFORMATIONS	PART NO	QTY.	FROM SER.NR.	UP TO SER. NR.
1	AL BIT101 TRIGGER GUN	91120120	1		
2	LANCE- AL QUICK CONNECT MALE 3000 PSI	91125260	1		
3	HP HOSE DN6/25'/3000/KA/BLK/PLSTC	91623210	1		
4	QUICK CONNECT NOZZLE KIT (0325)	91040160	1		