



Spare parts list

(11944040) G 2600 VH

2007 02

91391980

www.kaercher.com

EN

CONTENT LIST

1.0 Frame

2.0 Pump set

2.1 Cylinder head

2.2 Piston

2.3 Cylinder head

2.4 Piston

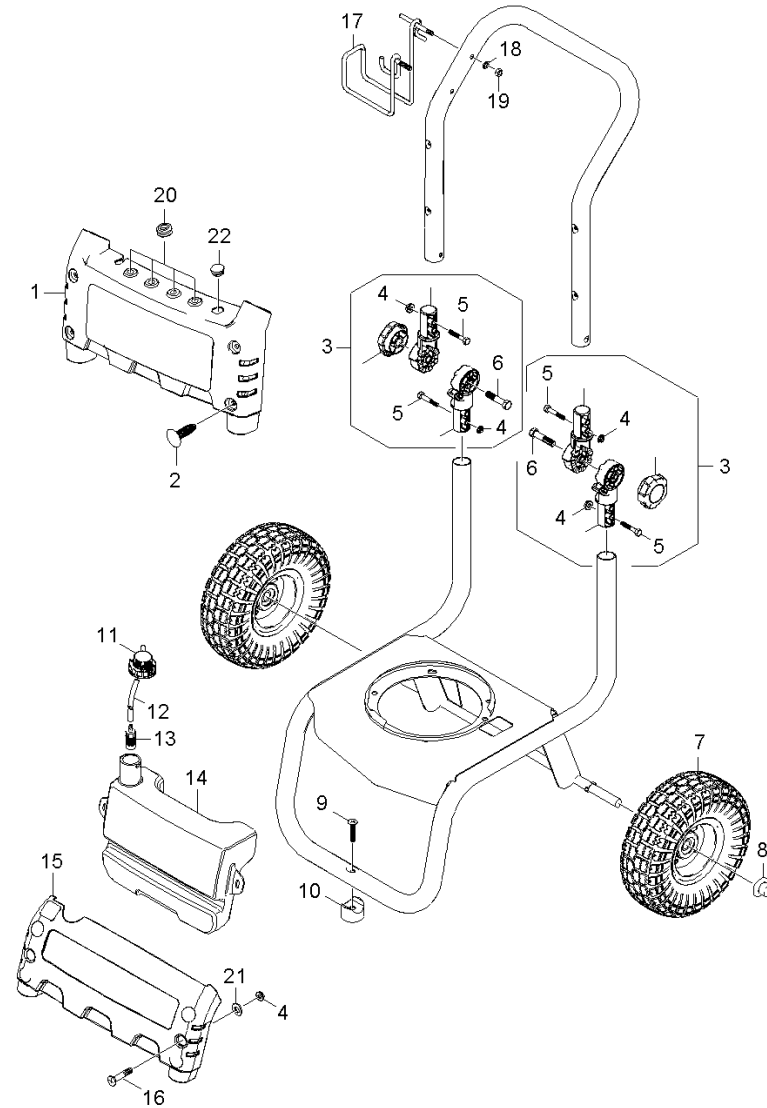
3.0 Motor

3.1 Motor

3.2 Transmission

4.0 Accessories

1.0 Frame



1.0 Frame

POS	DESCRIPTION ADDITIONAL INFORMATIONS	PART NO	QTY.	FROM SER.NR.	UP TO SER. NR.
1	Name Plate, V1	91340230	1		
2	Nylon Rivet	91960490	4		
3	ROTARY JOINT ASSEMBLY	91170010	2		
4	1/4-20" Nylon Insert Lock Nut with Flang	91970100	4		
5	HEX HEAD BOLT 3/8-16 X 1-3/4	91960410	4		
6	1/4-20 x 1-1/2 GR 2 HEX BOLT ZINC	91963070	2		
7	WHEEL 10" X 3.50" PNEU	91890070	2		
8	CAP BLACK PLASTIC,5/8"FASTENER	91825060	2		
9	FLAT HEAD M/S 5/16-18X1-3/4"	91960460	1		
10	RUBBER DAMPENER	91834080	1		
11	Cover tank cleaning agents	40638070	1		
12	Hose DN 5	63882160	1		
	TO ORDER AS CUT GOODS				
13	Filter with weight	57316090	1		
14	Tank V1	91320060	1		
15	COVER-V1	91340240	1		
16	Large Head Machine Screw 1/4"x2.25"	91960500	2		
17	HANGER WELD ASSY 45DEG RIGHT (SOLO)	91420090	1		
18	5/16 INTERNAL L/W .332 ID X .620 OD ZINC	91980030	2		
19	5/16"-18 FINISHED HEX NUT ZINC	53101050	2		
20	GROMMET	91772040	5		
21	Washer 1/4"	91980150	2		
22	PLUG, TO COVER HOLE XTRA HOLE-NOZZLE	91830020	1		

2.0 Pump set

2.1 Cylinder head

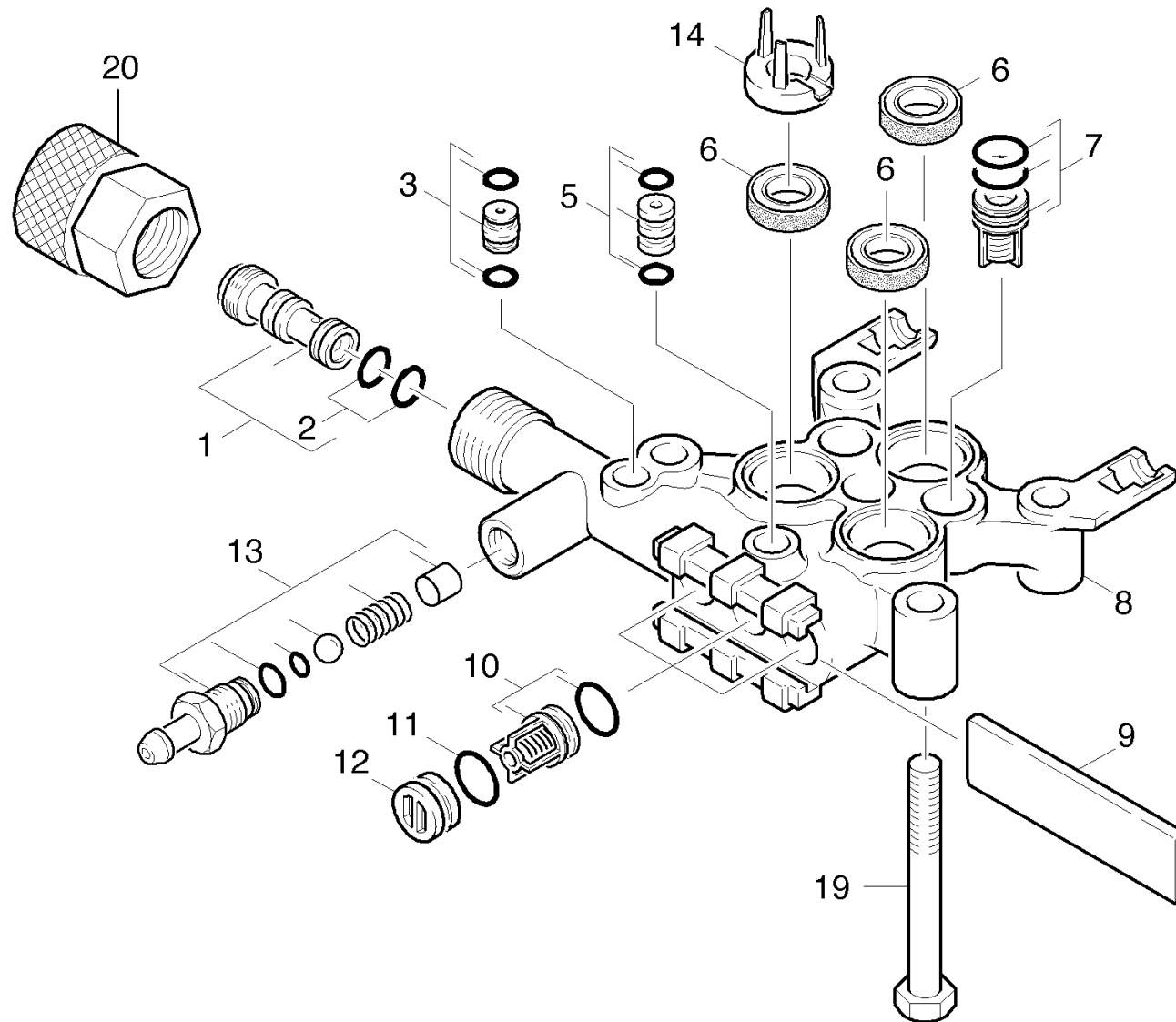
2.2 Piston

2.3 Cylinder head

2.4 Piston



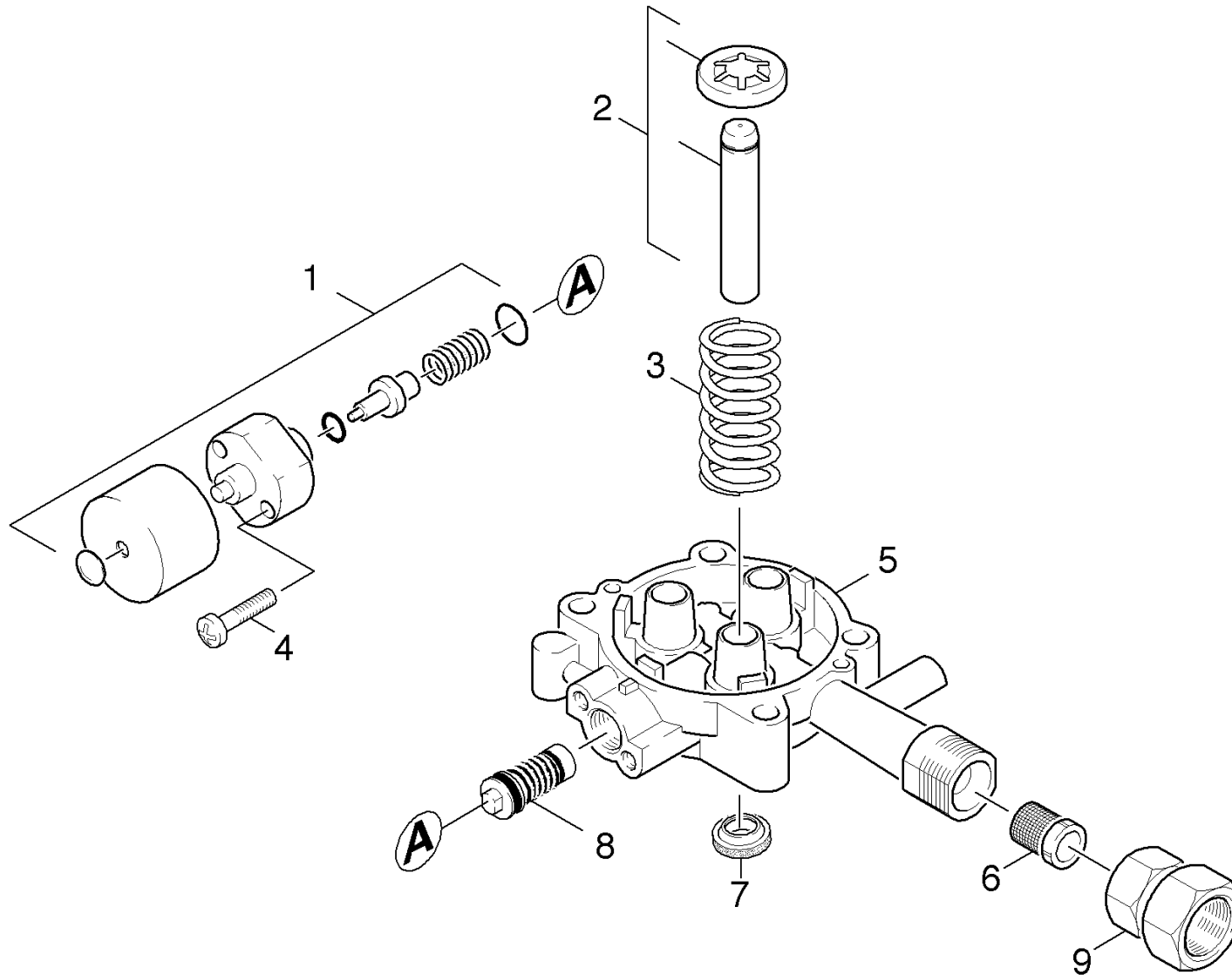
2.1 Cylinder head



2.1 Cylinder head

POS	DESCRIPTION ADDITIONAL INFORMATIONS	PART NO	QTY.	FROM SER.NR.	UP TO SER. NR.
1	Nozzle insert	47690350	1		
2	O-Ring seal 9,0 x 1,5	63623840	2		
3	Throttle complete	40301090	1		
5	JOINING PIECE	40301250	1		
6	GROOVED RING 12X20X5.3/2.8	63653940	3		
7	VALVE	45803300	3		
8	CYLINDER HEAD	55502940	1		
9	Plate	50030620	1		
10	Valve (3 Stueck)	28848720	1		
11	O-Ring seal 11,0 x 2,0	63632730	3		
12	DRAIN PLUG	41320070	3		
13	Spare part set chemistry	28838620	1		
14	WASHER	51159030	3		
19	Hexagonal head screw M 8x75-8.8-A2E ISO	73044030	4		
20	Quick Connect	91540450	1		

2.2 Piston



2.2 Piston

POS	DESCRIPTION ADDITIONAL INFORMATIONS	PART NO	QTY.	FROM SER.NR.	UP TO SER. NR.
1	VALVE 60 GRD	45803600	1		
2	PISTON KPL.	45532150	3		
3	Pressure spring	53323910	3		
4	Screw M6x30 -St-R3R (In6Rd)	73030660	2		
5	PISTON GUIDANCE	50608380	1		
6	FILTER	64142520	1		
7	Oil sealing 12x20x4/6	63653930	3		
8	SPILL VALVE	45910400	1		
9	SWIVEL ADAPTOR G-3/4 W/2-WASHERS	91540090	1		

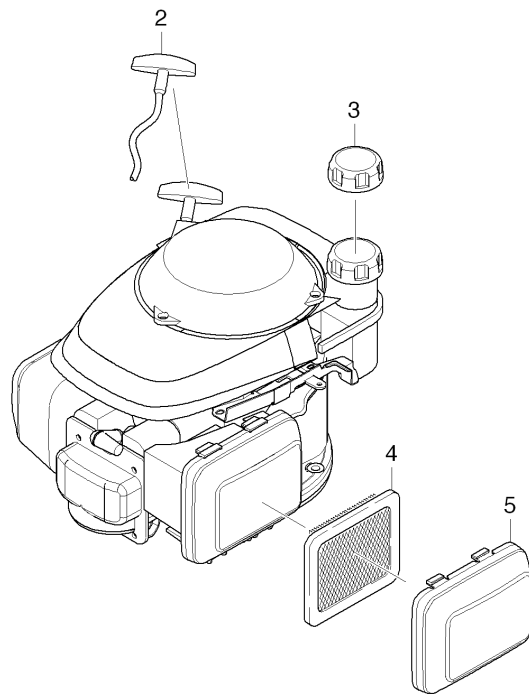
3.0 Motor

3.1 Motor

3.2 Transmission

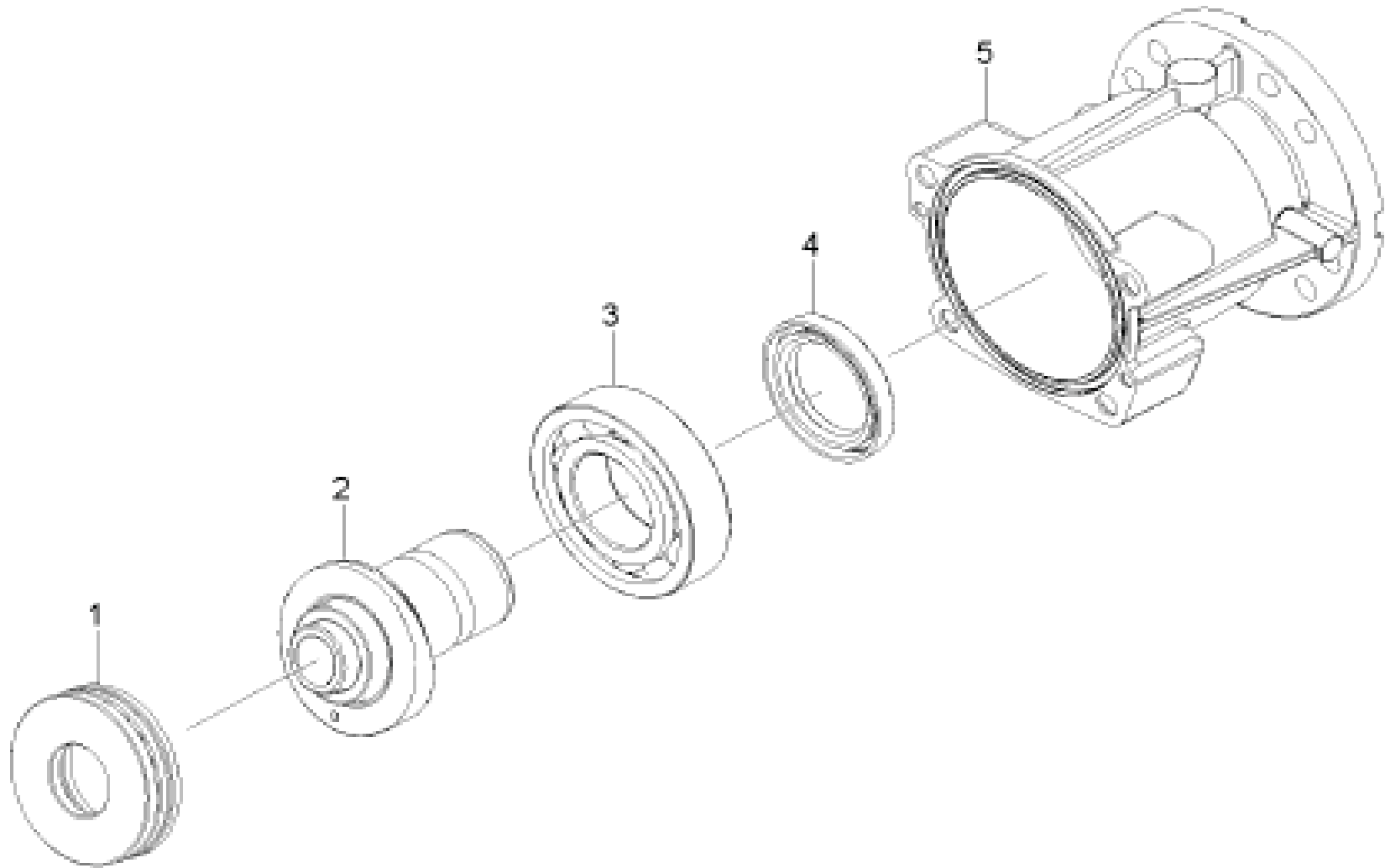


3.1 Motor



3.1 Motor

POS	DESCRIPTION ADDITIONAL INFORMATIONS	PART NO	QTY.	FROM SER.NR.	UP TO SER. NR.
2	HANDLE	64915030	1		
3	GC 160 GAS CAP	91945480	1		
4	AIR FILTER ELEMENT	64917260	1		
5	COVER	91945430	1		

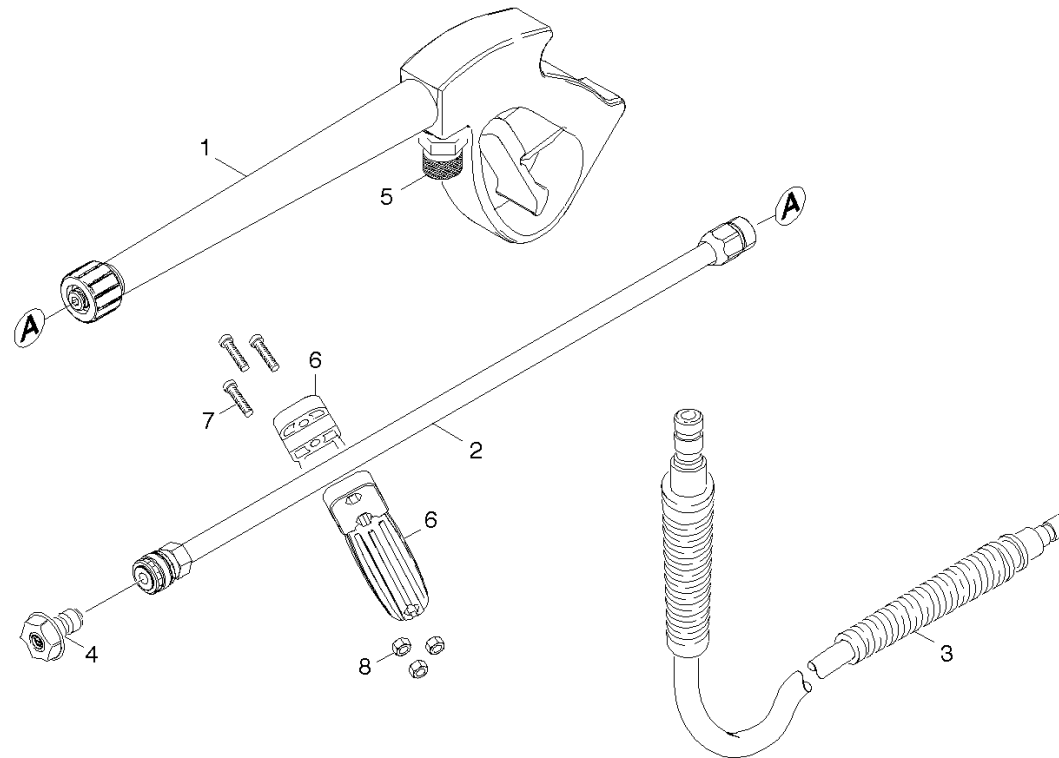


3.2 Transmission

updated 21 Jul 2010

POS	DESCRIPTION ADDITIONAL INFORMATION	PART NO	QTY.	FROM SER. NR.	UP TO SER. NR.
1	GROOVED BALL BEARING	91653550	1		
2	SWASH PLATE - VERTICAL 7/8" SHAFT - MACHINED	91350170	1		
3	AXIAL BALL BEARING	91653560	1		
4	SHAFT SEAL 35x52x7	91773140	1		
5	OIL HOUSING - VERTICAL - MACHINED	91350160	1		
not shown	O-RING SEAL 80.0x3.0 seals piston guidance to oil housing	63624710	1		
not shown	SHAFT KEY 3/16" SQ x 1.25"	91945920	1		
not shown	PUMP OIL 1 LITRE (15w-40)	62880500	1		

4.0 Accessories



4.0 Accessories

POS	DESCRIPTION	PART NO	QTY.	FROM SER.NR.	UP TO SER. NR.
	ADDITIONAL INFORMATIONS				
1	AL BIT101 TRIGGER GUN	91120120	1		
2	LANCE- AL QUICK CONNECT MALE 3000 PSI	91125260	1		
3	HP HOSE DN6 25FT 3000PSI	91623280	1		
4	QUICK CONNECT NOZZLE KIT (0325)	91040160	1		
5	Quick Connect	91540450	1		
6	Handle	91340250	2		
7	Cheese Head Machine Screw M5x16mm	91960510	3		
8	M5 Nut	91970110	3		