



Spare parts list

(11944040) G 2600 VH

2007 02

91391980

www.kaercher.com

EN

CONTENT LIST

1.0 Frame

2.0 Pump set

2.1 Cylinder head

2.2 Piston

2.3 Cylinder head

2.4 Piston

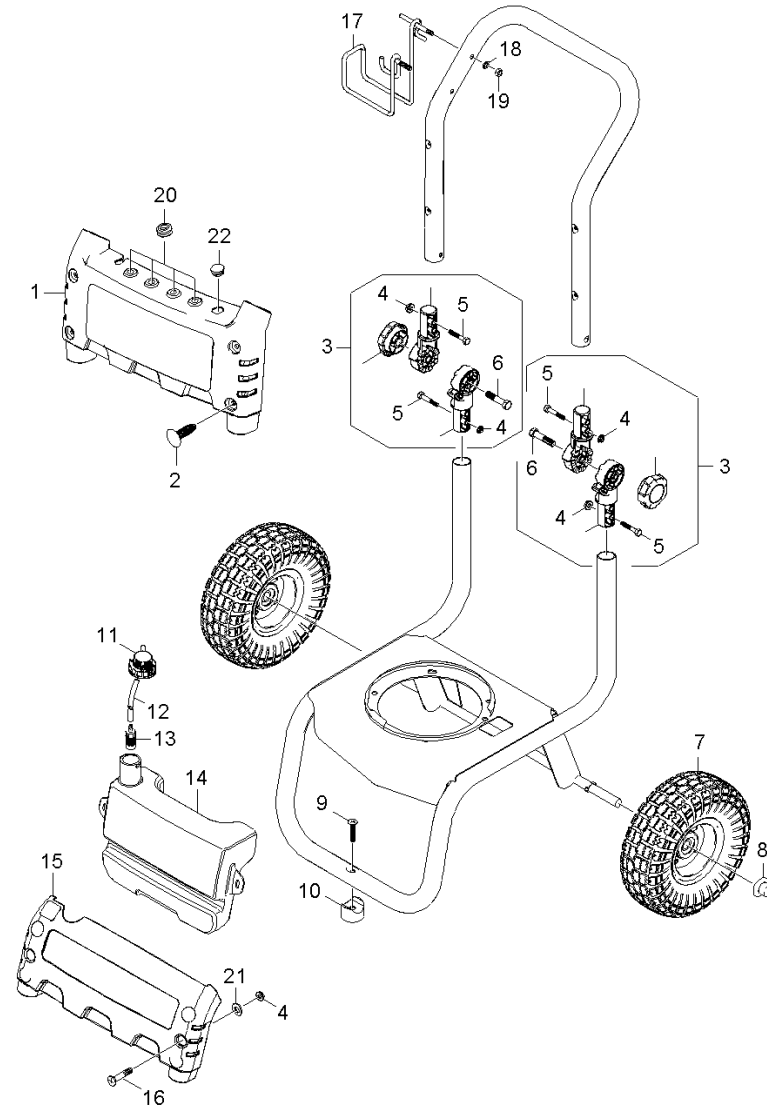
3.0 Motor

3.1 Motor

3.2 Transmission

4.0 Accessories

1.0 Frame



1.0 Frame

POS	DESCRIPTION ADDITIONAL INFORMATIONS	PART NO	QTY.	FROM SER.NR.	UP TO SER. NR.
1	Name Plate, V1	91340230	1		
2	Nylon Rivet	91960490	4		
3	ROTARY JOINT ASSEMBLY	91170010	2		
4	1/4-20" Nylon Insert Lock Nut with Flang	91970100	4		
5	HEX HEAD BOLT 3/8-16 X 1-3/4	91960410	4		
6	1/4-20 x 1-1/2 GR 2 HEX BOLT ZINC	91963070	2		
7	WHEEL 10" X 3.50" PNEU	91890070	2		
8	CAP BLACK PLASTIC,5/8"FASTENER	91825060	2		
9	FLAT HEAD M/S 5/16-18X1-3/4"	91960460	1		
10	RUBBER DAMPENER	91834080	1		
11	Cover tank cleaning agents	40638070	1		
12	Hose DN 5 TO ORDER AS CUT GOODS	63882160	1		
13	Filter with weight	57316090	1		
14	Tank V1	91320060	1		
15	COVER-V1	91340240	1		
16	Large Head Machine Screw 1/4"x2.25"	91960500	2		
17	HANGER WELD ASSY 45DEG RIGHT (SOLO)	91420090	1		
18	5/16 INTERNAL L/W .332 ID X .620 OD ZINC	91980030	2		
19	5/16"-18 FINISHED HEX NUT ZINC	53101050	2		
20	GROMMET	91772040	5		
21	Washer 1/4"	91980150	2		
22	PLUG, TO COVER HOLE XTRA HOLE-NOZZLE	91830020	1		

2.0 Pump set

2.1 Cylinder head

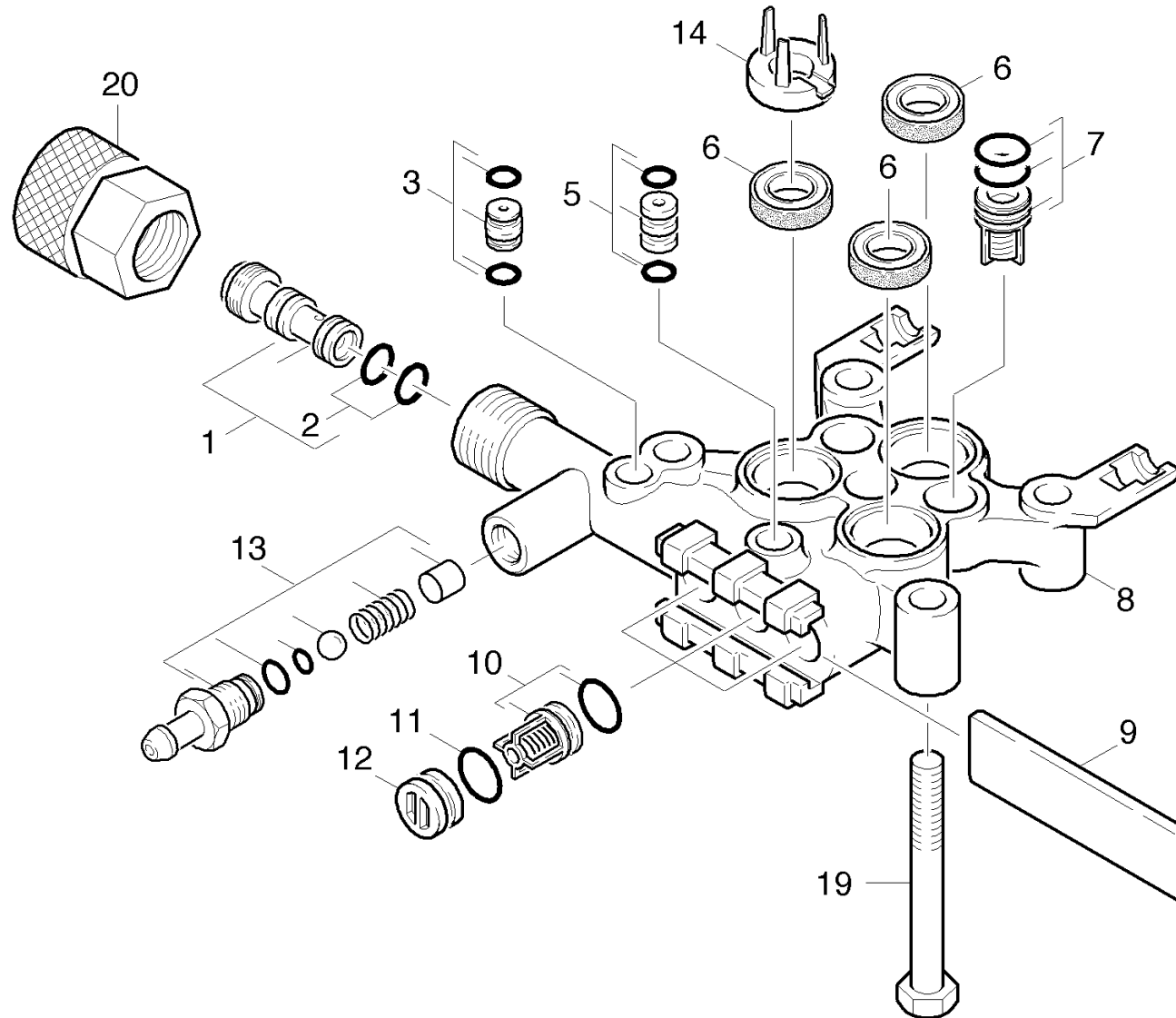
2.2 Piston

2.3 Cylinder head

2.4 Piston



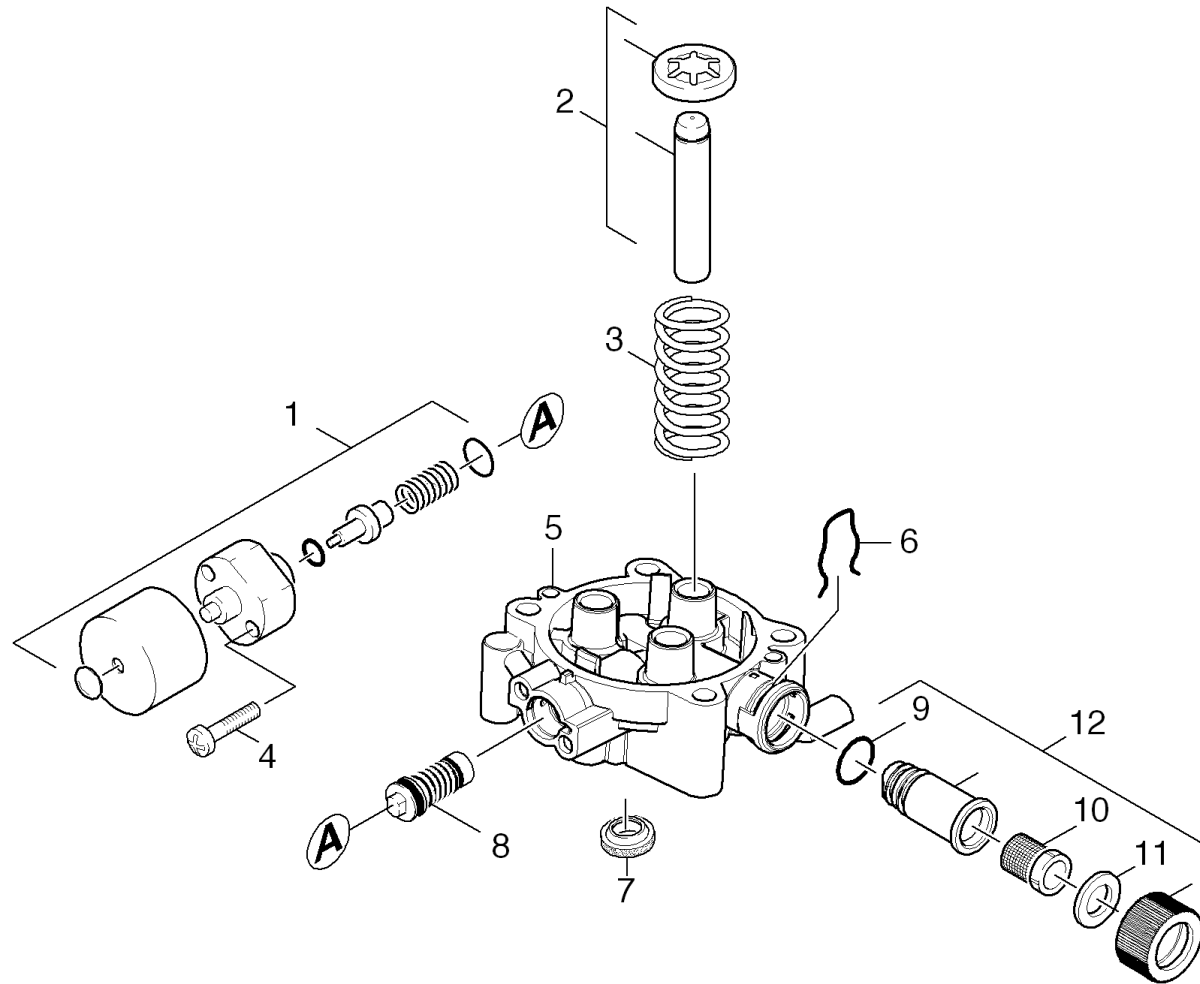
2.3 Cylinder head



2.3 Cylinder head

POS	DESCRIPTION ADDITIONAL INFORMATIONS	PART NO	QTY.	FROM SER.NR.	UP TO SER. NR.
1	Nozzle insert	47690350	1		
2	O-Ring seal 9,0 x 1,5	63623840	1		
3	Throttle complete	40301090	1		
5	JOINING PIECE	40301250	1		
6	GROOVED RING 12X20X5.3/2.8	63653940	3		
7	VALVE	45803300	3		
8	CYLINDER HEAD	55502940	1		
9	Plate	50030620	1		
10	Valve (3 Stueck)	28848720	1		
11	O-Ring seal 11,0 x 2,0	63632730	3		
12	DRAIN PLUG	41320070	3		
13	Spare part set chemistry	28838620	1		
14	WASHER	51160620	3		
19	Hexagonal head screw M8x80-8.8-A2E ISO	73040980	4		
20	Quick Connect	91540450	1		

2.4 Piston



2.4 Piston

POS	DESCRIPTION ADDITIONAL INFORMATIONS	PART NO	QTY.	FROM SER.NR.	UP TO SER. NR.
1	VALVE 60 GRD	45803600	1		
2	PISTON KPL.	45532280	3		
3	Pressure spring	53323910	3		
4	Screw M6x30 -St-R3R (In6Rd)	73030660	2		
5	Piston guidance anodized	50612870	1		
6	CLAMP	50489150	1		
7	Oil sealing 12x20x4/6	63653930	3		
8	SPILL VALVE	45910400	1		
9	GASKET	63630380	1		
10	FILTER	64142520	1		
11	Flat gasket	53641290	1		
12	SPARE PART KIT WATER INLET PUMP-016	91723160	1		

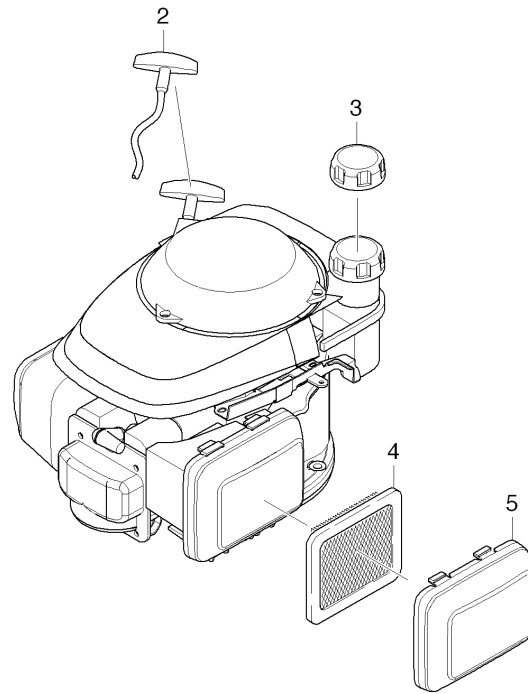
3.0 Motor

3.1 Motor

3.2 Transmission



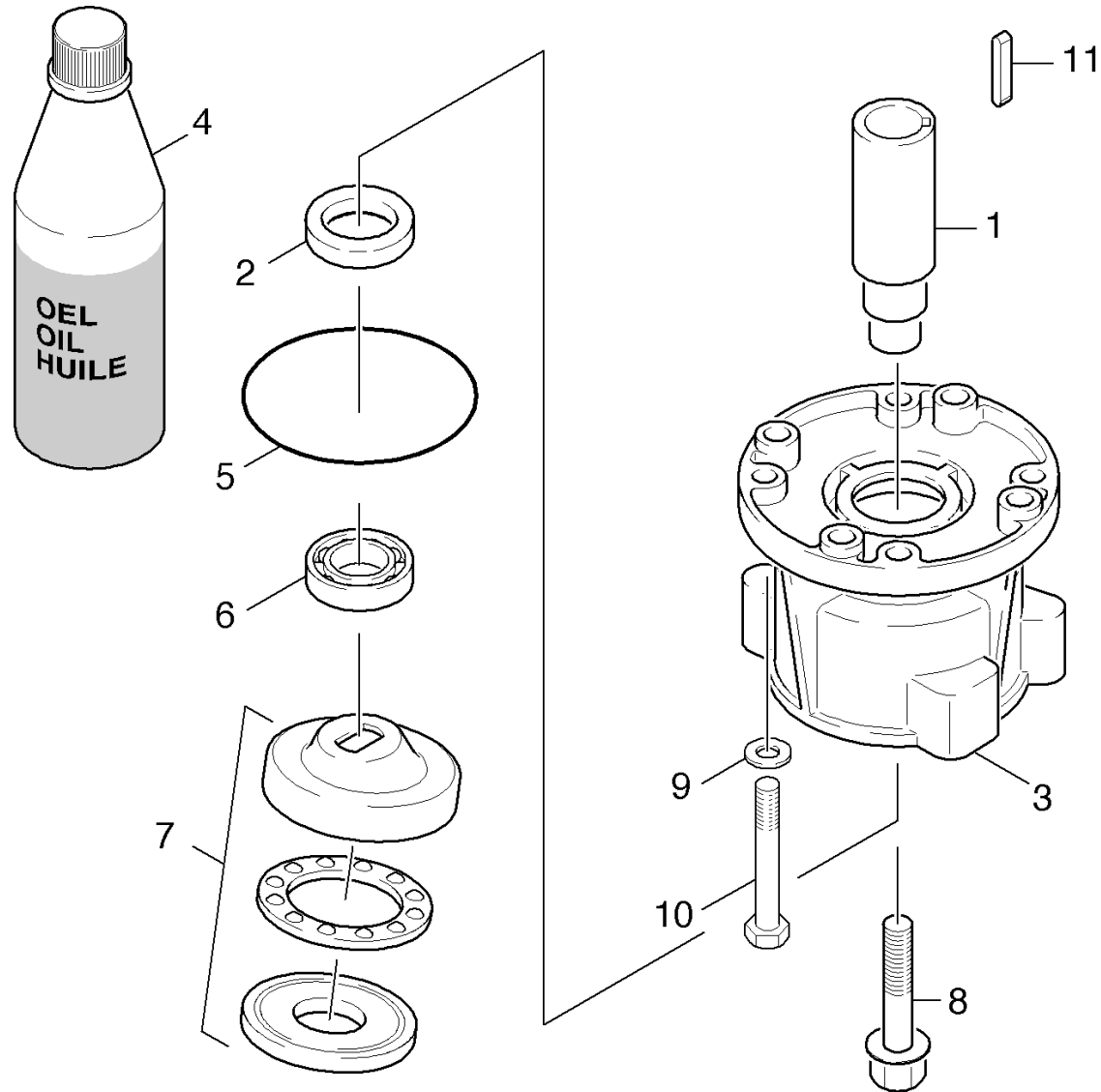
3.1 Motor



3.1 Motor

POS	DESCRIPTION ADDITIONAL INFORMATIONS	PART NO	QTY.	FROM SER.NR.	UP TO SER. NR.
2	HANDLE	64915030	1		
3	GC 160 GAS CAP	91945480	1		
4	AIR FILTER ELEMENT	64917260	1		
5	COVER	91945430	1		

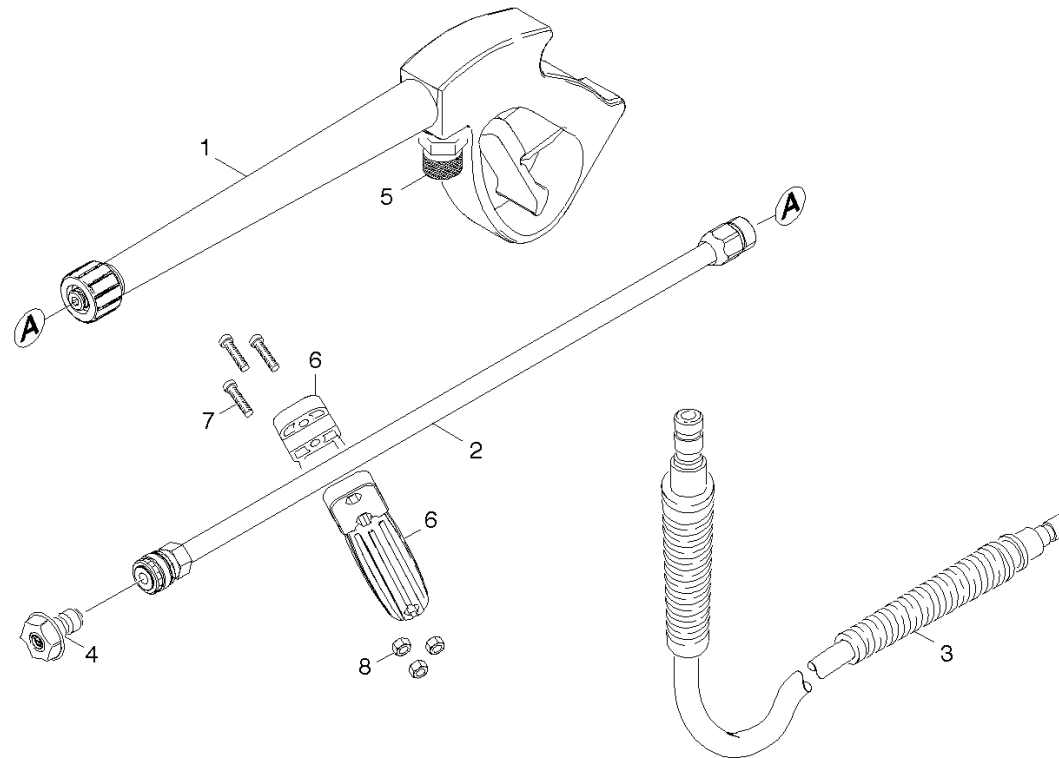
3.2 Transmission



3.2 Transmission

POS	DESCRIPTION ADDITIONAL INFORMATIONS	PART NO	QTY.	FROM SER.NR.	UP TO SER. NR.
1	PUMP SHAFT (VERT.)	91540310	1		
2	Radial shaft seal ring A26x37x7 -NBR DI	73670180	1		
3	HOUSING-VERTICAL	91350010	1		
4	OIL 1 LITRE	62880500	1		
5	O RING 80 X 3	63624710	1		
6	AXIAL BALL BEARING	90870100	1		
7	SWASH PLATE	64012890	1		
8	M6 X 19 TORX DRIVE W/WASHER SEMS CLASS	63040480	1		
9	5/16" SPLIT LOCK WASHER ZINC	51156560	4		
10	5/16-24UNF X 1.75 SOCKET HEAD CAP SCREW	91960330	4		
11	SHAFT KEY	91945920	1		

4.0 Accessories



4.0 Accessories

POS	DESCRIPTION ADDITIONAL INFORMATIONS	PART NO	QTY.	FROM SER.NR.	UP TO SER. NR.
1	AL BIT101 TRIGGER GUN	91120120	1		
2	LANCE- AL QUICK CONNECT MALE 3000 PSI	91125260	1		
3	HP HOSE DN6 25FT 3000PSI	91623280	1		
4	QUICK CONNECT NOZZLE KIT (0325)	91040160	1		
5	Quick Connect	91540450	1		
6	Handle	91340250	2		
7	Cheese Head Machine Screw M5x16mm	91960510	3		
8	M5 Nut	91970110	3		