



ETL

G 2500 PH (11944010)

02 2005

59704750

www.kaercher.com

EN

CONTENT LIST

1.0 Frame

2.0 Pump set

2.1 Cylinder head

VERSION 1

2.2 Piston

VERSION 1

2.3 Cylinder head

VERSION 2

2.4 Piston

VERSION 2

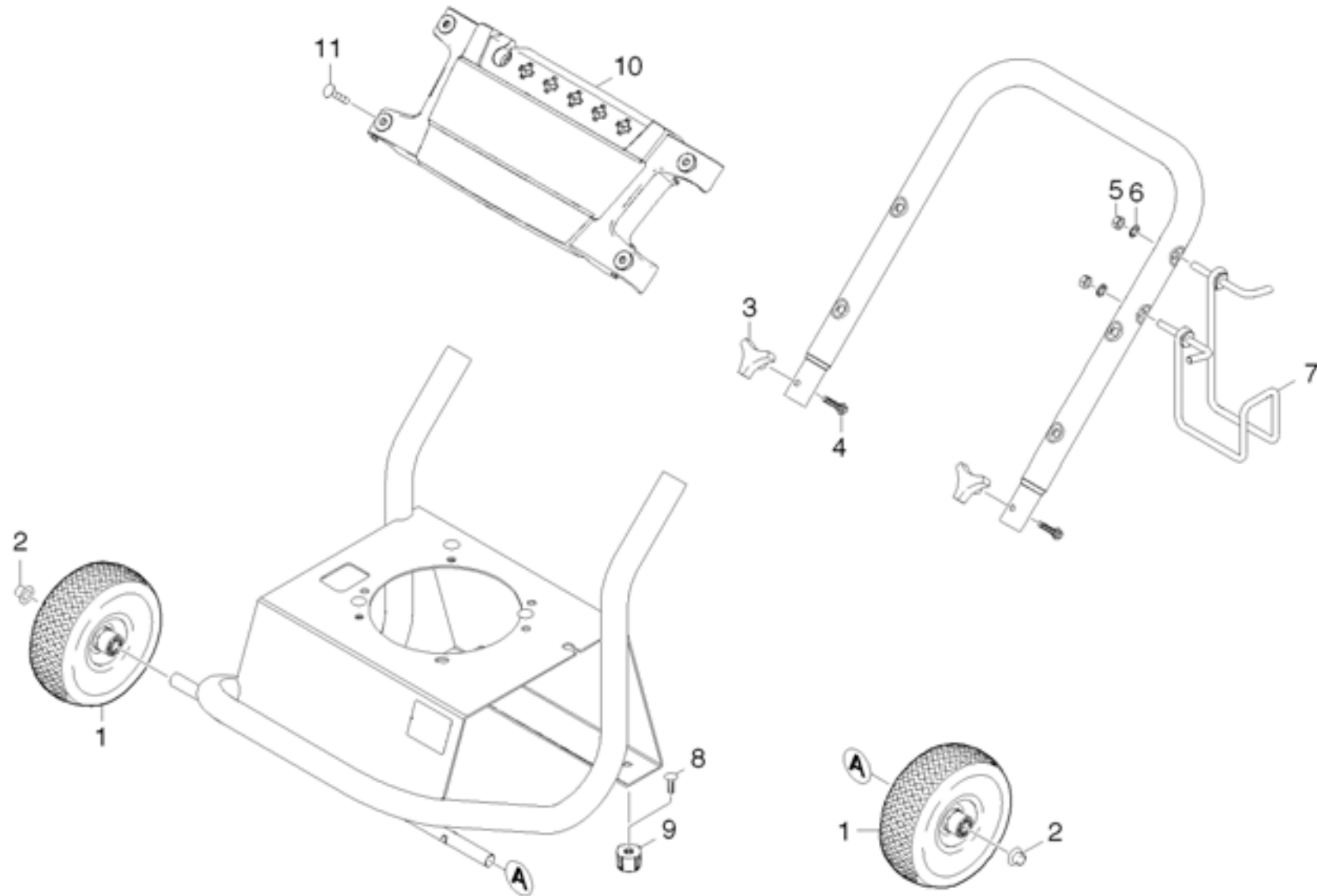
3.0 Motor

3.1 Motor

3.2 Transmission

4.0 Accessories

1.0 Frame



1.0 Frame

POS	DESCRIPTION ADDITIONAL INFORMATIONS	PART NO	QTY.	FROM SER.NR.	UP TO SER. NR.
1	WHEEL YELLOW RIM 10" X 3.50" PNEUMATIC	91890130	2		
2	CAP BLACK PLASTIC,5/8"FASTENER	91825060	2		
3	KNOB 1/4"-20,3PT. STAR	91823530	2		
4	1/4-20 x 1-1/2 GR 2 HEX BOLT ZINC	91963070	2		
5	5/16"-18 FINISHED HEX NUT ZINC	53101050	2		
6	5/16 INTERNAL L/W .332 ID X .620 OD ZINC	91980030	2		
7	HANGER LT SIDE	91420150	1		
8	5/16-18 X 1/2 CARRIAGE BOLT A307 BLK	91963080	2		
9	RUBBER DAMPENER 5/16"-18FEMALE 2001	91834050	2		
10	Name plate	91340220	1		
11	Nylon Rivet	91960490	4		

2.0 Pump set

2.1 Cylinder head

VERSION 1

2.2 Piston

VERSION 1

2.3 Cylinder head

VERSION 2

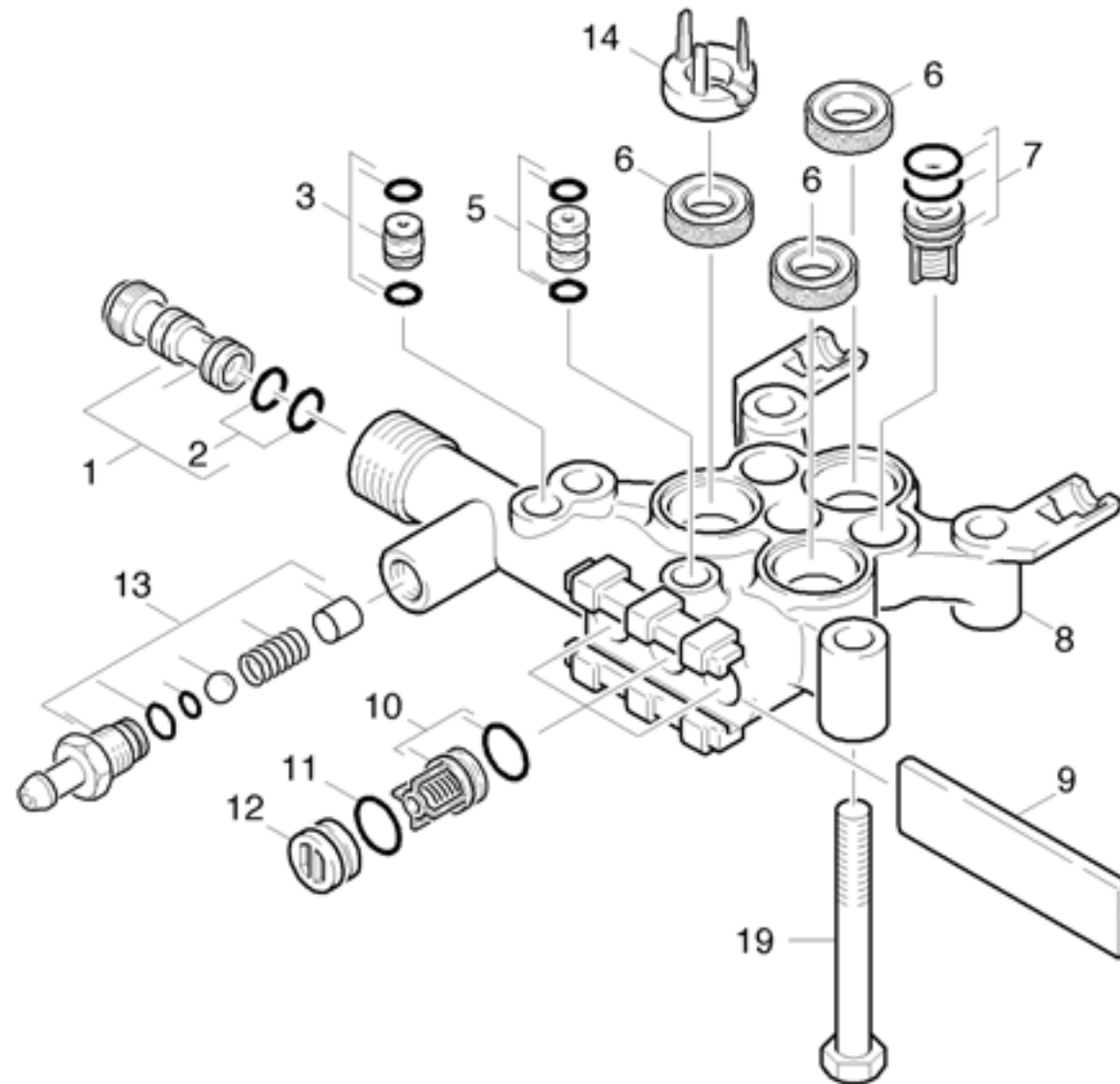
2.4 Piston

VERSION 2



2.1 Cylinder head

VERSION 1



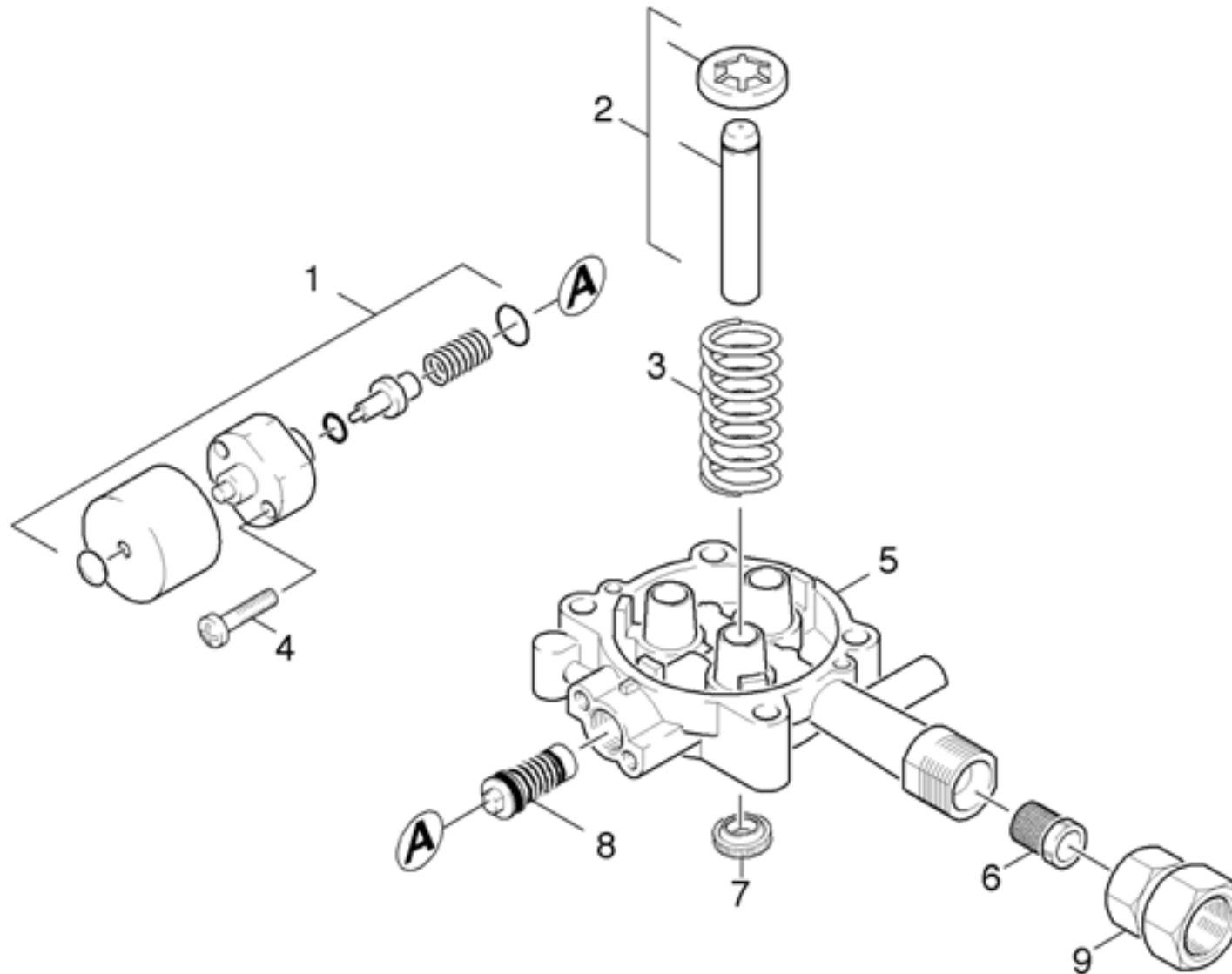
2.1 Cylinder head

VERSION 1

POS	DESCRIPTION ADDITIONAL INFORMATIONS	PART NO	QTY.	FROM SER.NR.	UP TO SER. NR.
1	Nozzle insert	47690350	1		
2	O-Ring seal 9,0 x 1,5	63623840	2		
3	Throttle complete	40301090	1		
5	JOINING PIECE	40300450	1		
6	GROOVED RING 12X20X5.3/2.8	63653940	3		
7	VALVE	45803300	3		
8	CYLINDER HEAD	55502940	1		
9	Plate	50030620	1		
10	Valve (3 Stueck)	28848720	1		
11	O-Ring seal 11,0 x 2,0	63632730	3		
12	DRAIN PLUG	41320070	3		
13	Spare part set chemistry	28838620	1		
14	WASHER	51159030	3		
19	Hexagonal head screw M 8x75-8.8-A2E ISO	73044030	4		

2.2 Piston

VERSION 1



2.2 Piston

VERSION 1

POS	DESCRIPTION ADDITIONAL INFORMATIONS	PART NO	QTY.	FROM SER.NR.	UP TO SER. NR.
1	VALVE 60 GRD	45803600	1		
2	PISTON KPL.	45532150	3		
3	Pressure spring	53323910	3		
4	Screw M6x30 -St-R3R (In6Rd)	73030660	2		
5	PISTON GUIDANCE	50608380	1		
6	FILTER	64142520	1		
7	Oil sealing 12x20x4/6	63653930	3		
8	SPILL VALVE	45910400	1		
9	SWIVEL ADAPTOR G-3/4 W/2-WASHERS	91540090	1		

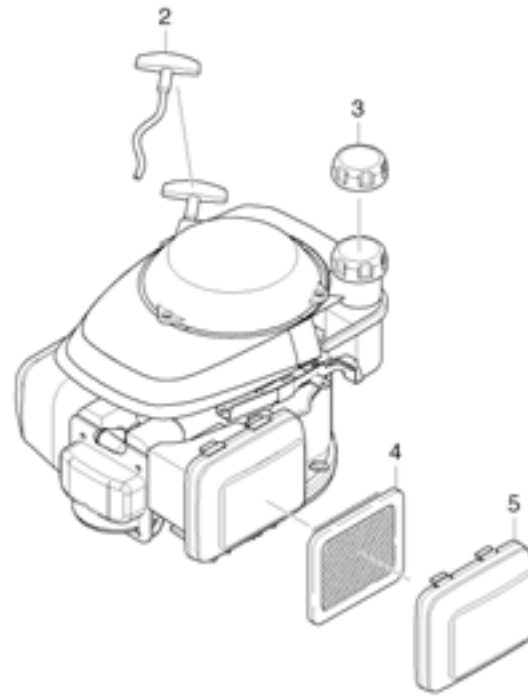
3.0 Motor

3.1 Motor

3.2 Transmission

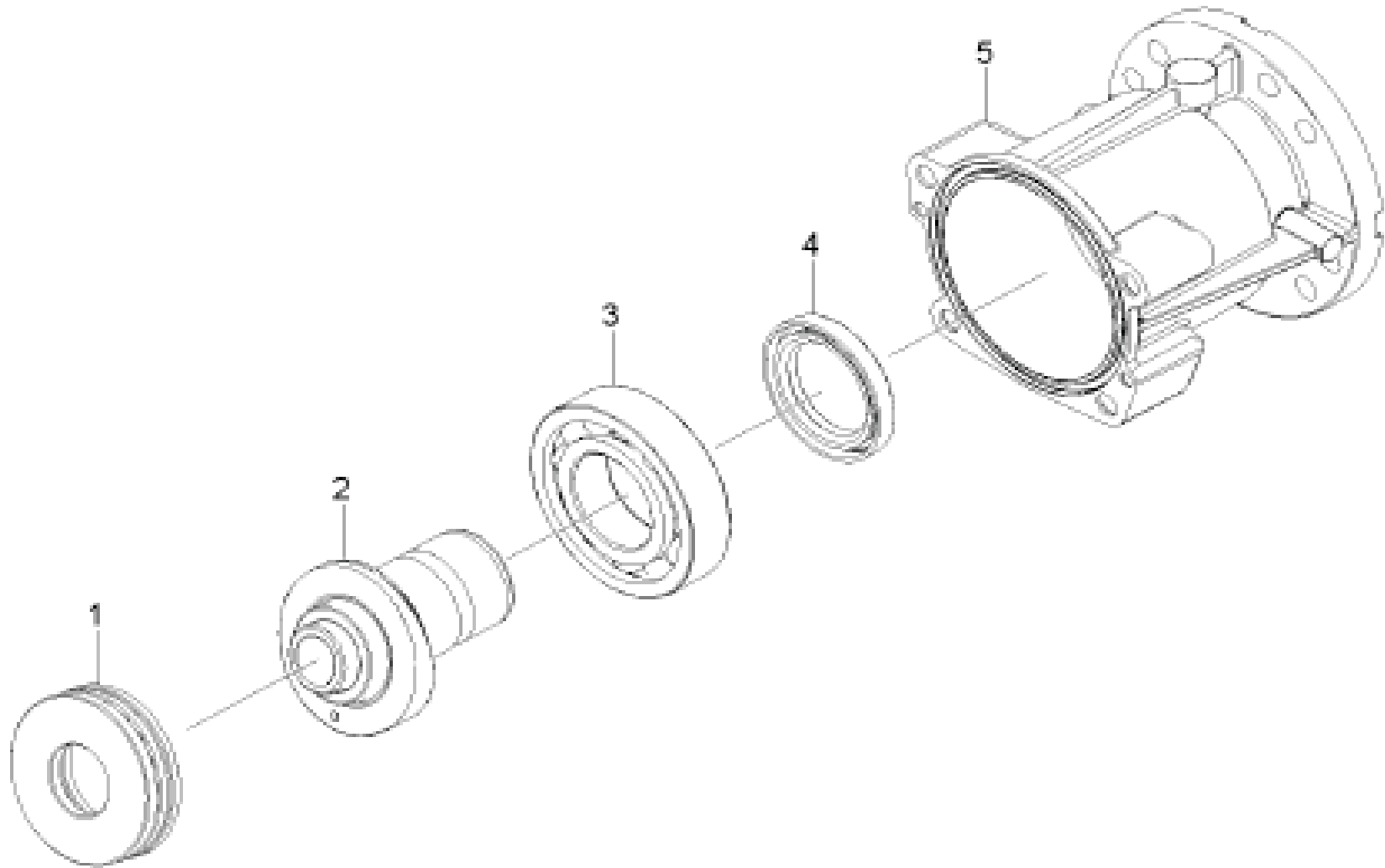


3.1 Motor



3.1 Motor

POS	DESCRIPTION ADDITIONAL INFORMATIONS	PART NO	QTY.	FROM SER.NR.	UP TO SER. NR.
2	HANDLE	64915030	1		
3	GC 160 GAS CAP	91945480	1		
4	AIR FILTER ELEMENT	64917260	1		
5	COVER	91945430	1		

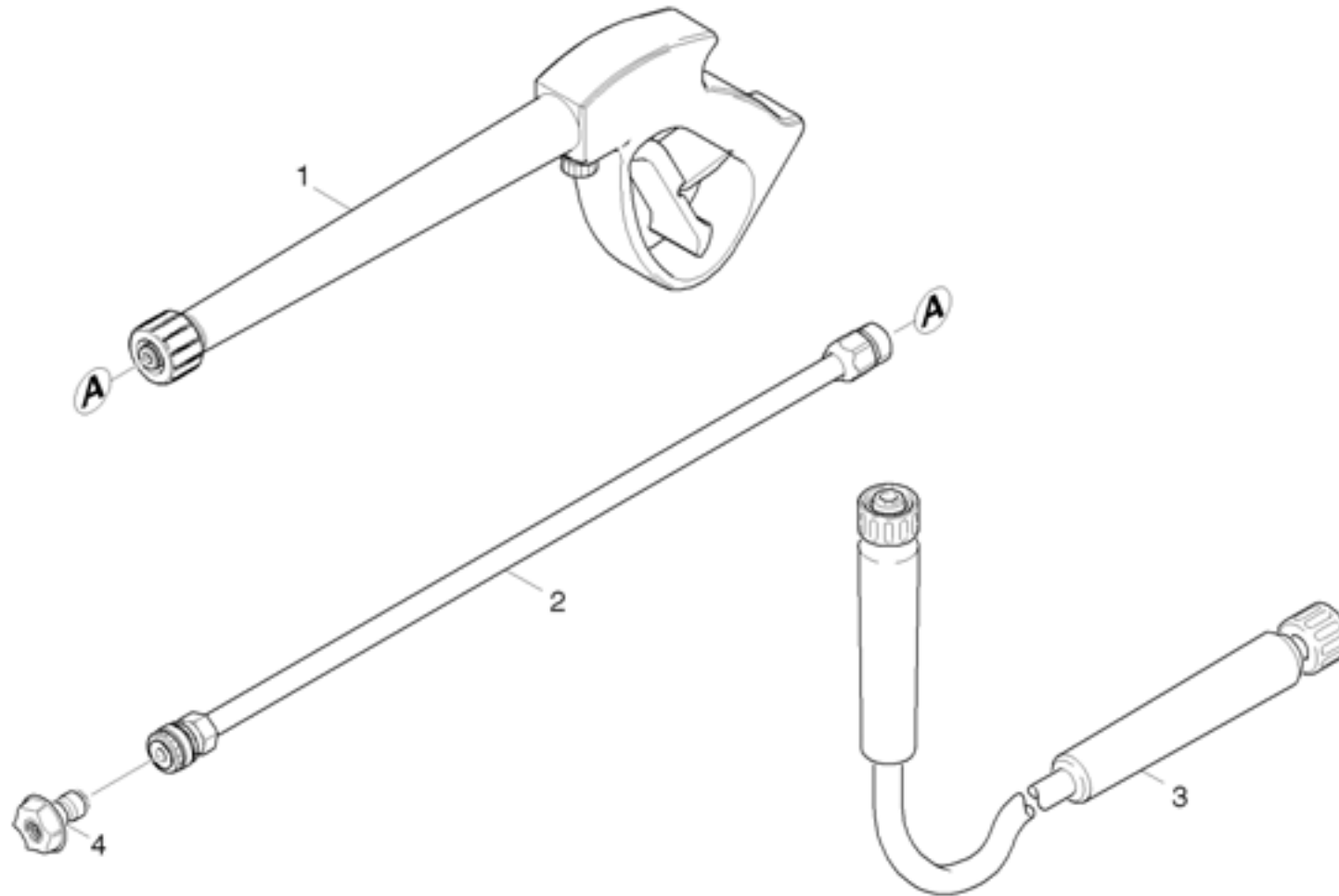


3.2 Transmission

updated 21 Jul 2010

POS	DESCRIPTION ADDITIONAL INFORMATION	PART NO	QTY.	FROM SER. NR.	UP TO SER. NR.
1	GROOVED BALL BEARING	91653550	1		
2	SWASH PLATE - VERTICAL 7/8" SHAFT - MACHINED	91350170	1		
3	AXIAL BALL BEARING	91653560	1		
4	SHAFT SEAL 35x52x7	91773140	1		
5	OIL HOUSING - VERTICAL - MACHINED	91350160	1		
not shown	O-RING SEAL 80.0x3.0 seals piston guidance to oil housing	63624710	1		
not shown	SHAFT KEY 3/16" SQ x 1.25"	91945920	1		
not shown	PUMP OIL 1 LITRE (15w-40)	62880500	1		

4.0 Accessories



4.0 Accessories

POS	DESCRIPTION ADDITIONAL INFORMATIONS	PART NO	QTY.	FROM SER.NR.	UP TO SER. NR.
1	AL BIT101 TRIGGER GUN	91120120	1		
2	LANCE- AL QUICK CONNECT MALE 3000 PSI	91125260	1		
3	HP HOSE DN6/25'/3000/KA/BLK/PLSTC	91623210	1		
4	QUICK CONNECT NOZZLE KIT (0325)	91040160	1		