



ETL

G 2500 PH (11944010)

02 2005

59704750

www.kaercher.com

EN

CONTENT LIST

1.0 Frame

2.0 Pump set

2.1 Cylinder head

VERSION 1

2.2 Piston

VERSION 1

2.3 Cylinder head

VERSION 2

2.4 Piston

VERSION 2

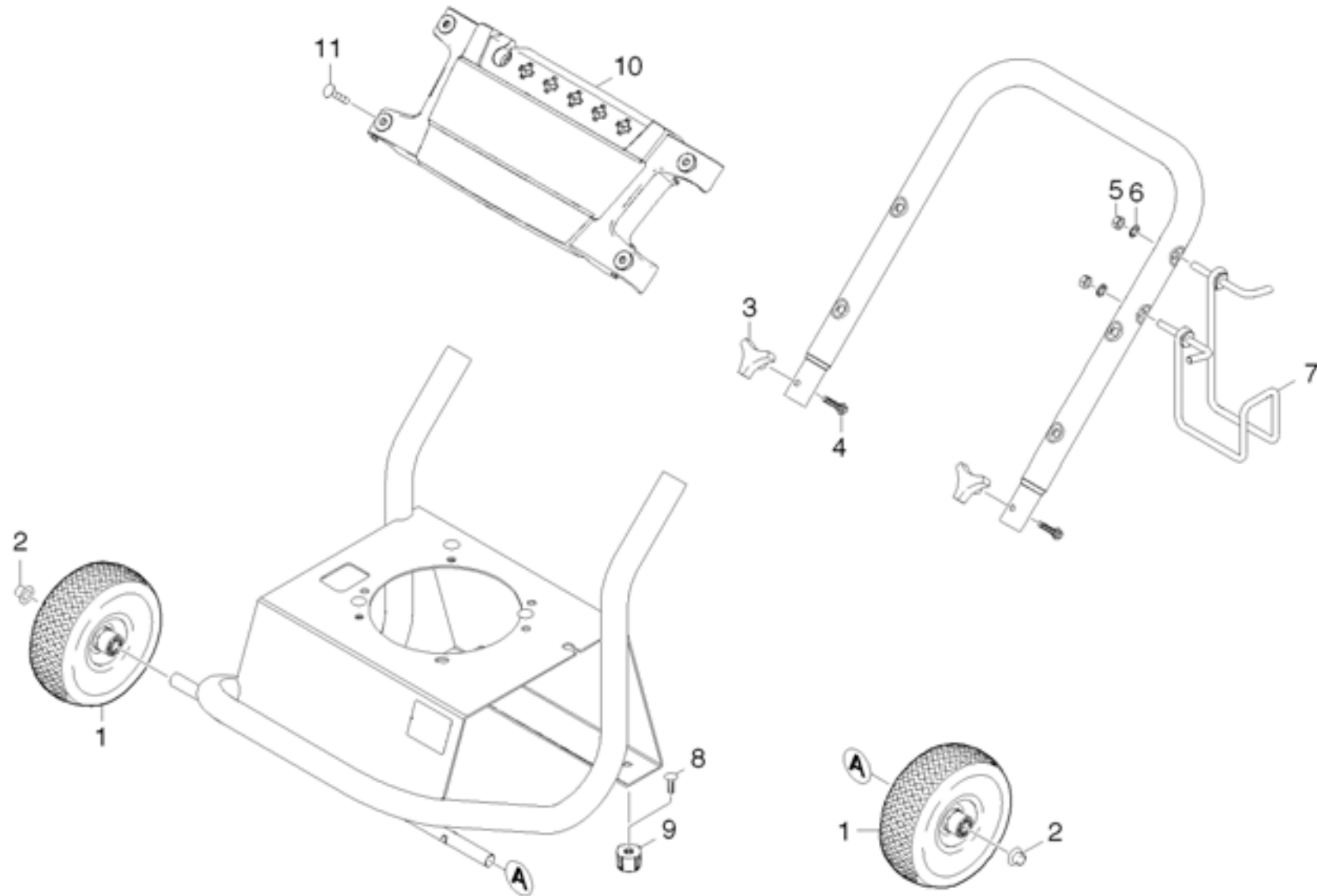
3.0 Motor

3.1 Motor

3.2 Transmission

4.0 Accessories

1.0 Frame



1.0 Frame

POS	DESCRIPTION ADDITIONAL INFORMATIONS	PART NO	QTY.	FROM SER.NR.	UP TO SER. NR.
1	WHEEL YELLOW RIM 10" X 3.50" PNEUMATIC	91890130	2		
2	CAP BLACK PLASTIC,5/8"FASTENER	91825060	2		
3	KNOB 1/4"-20,3PT. STAR	91823530	2		
4	1/4-20 x 1-1/2 GR 2 HEX BOLT ZINC	91963070	2		
5	5/16"-18 FINISHED HEX NUT ZINC	53101050	2		
6	5/16 INTERNAL L/W .332 ID X .620 OD ZINC	91980030	2		
7	HANGER LT SIDE	91420150	1		
8	5/16-18 X 1/2 CARRIAGE BOLT A307 BLK	91963080	2		
9	RUBBER DAMPENER 5/16"-18FEMALE 2001	91834050	2		
10	Name plate	91340220	1		
11	Nylon Rivet	91960490	4		

2.0 Pump set

2.1 Cylinder head

VERSION 1

2.2 Piston

VERSION 1

2.3 Cylinder head

VERSION 2

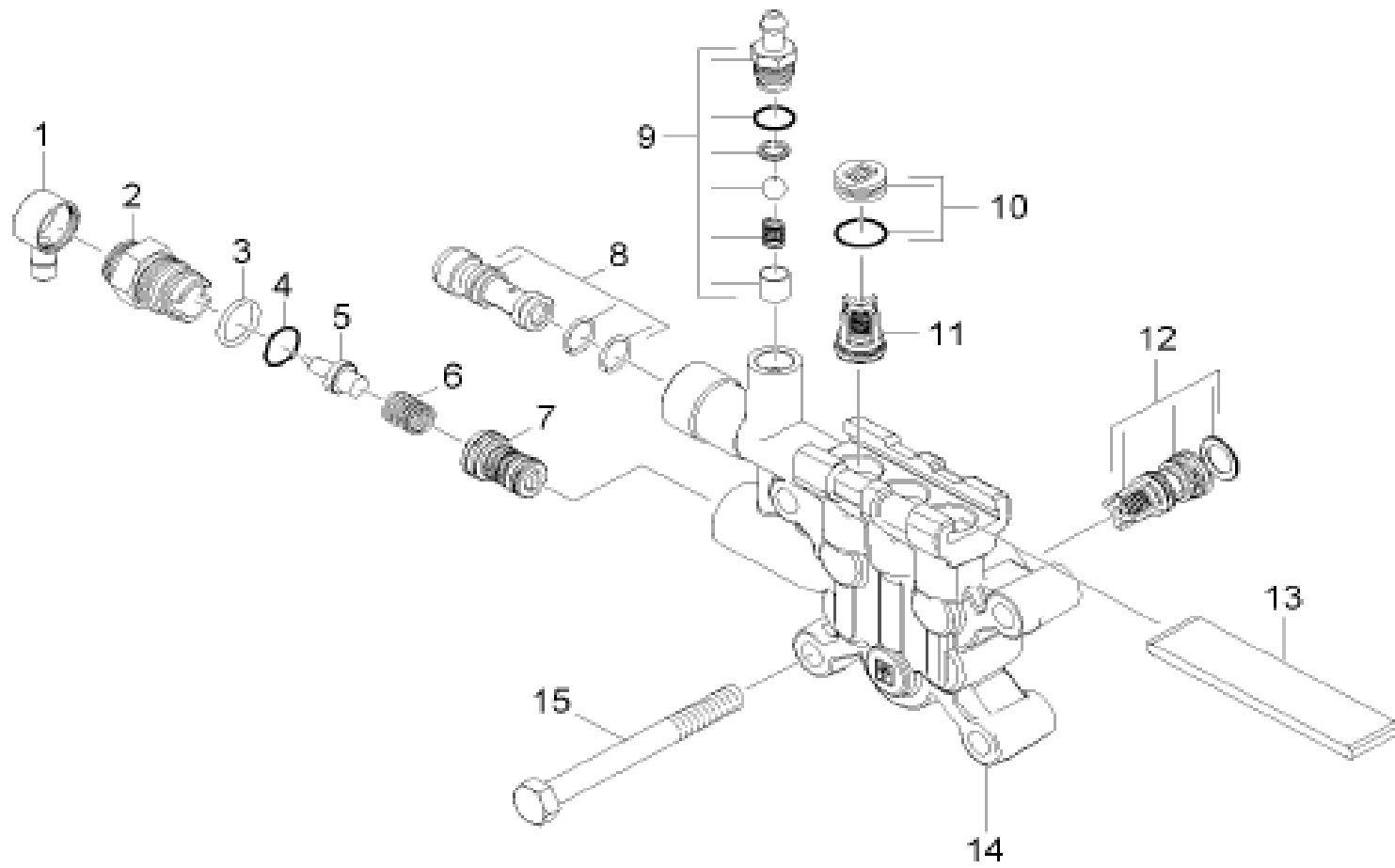
2.4 Piston

VERSION 2



2.1 Cylinder Head
VERSION 3

updated 21 Jul 2010



2.1 Cylinder Head

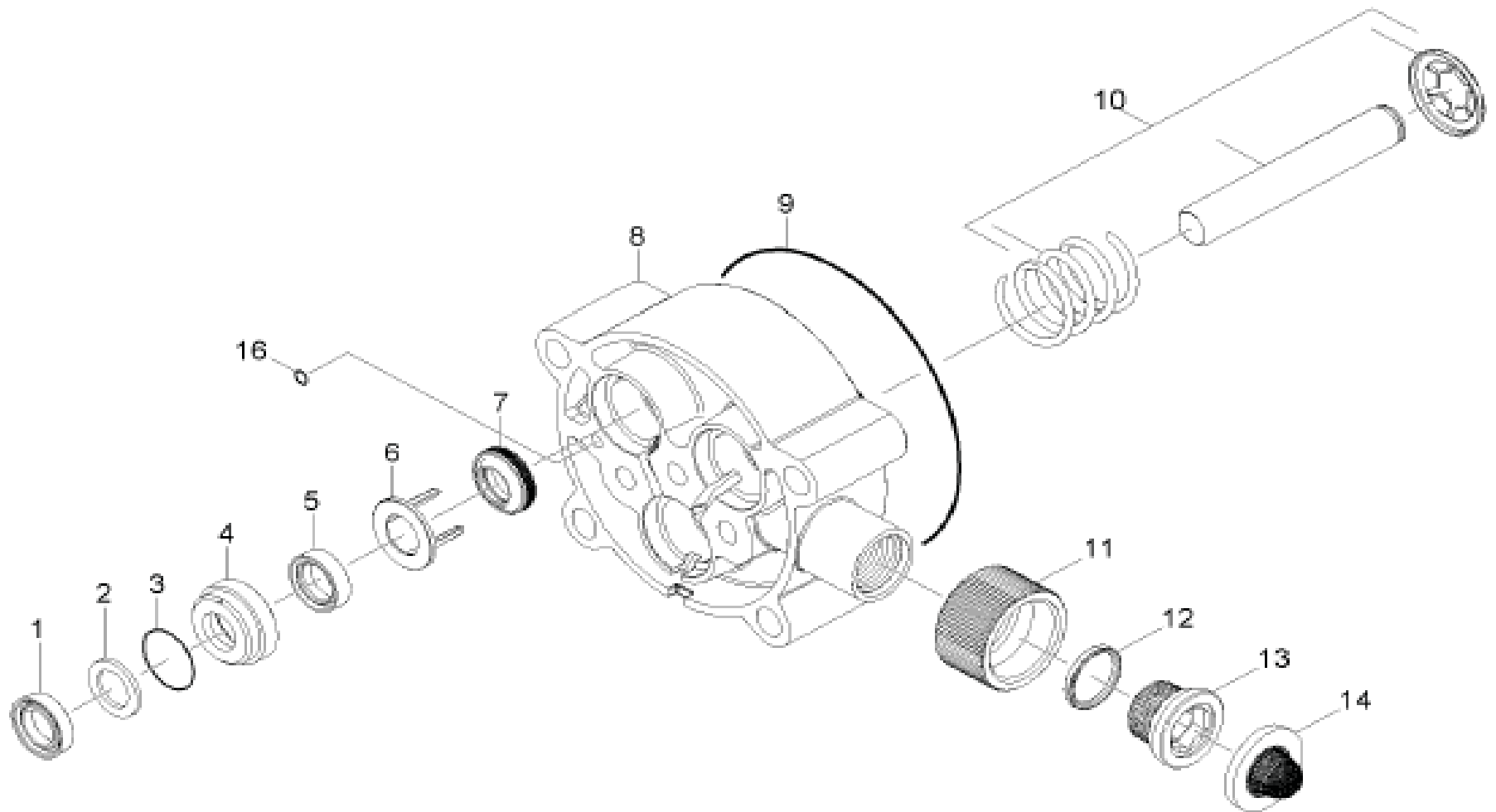
updated 21 Jul 2010

VERSION 3

POS	DESCRIPTION ADDITIONAL INFORMATIONS	PART NO	QTY.	FROM SER. NR.	UP TO SER. NR.
0	COMPLETE REPLACEMENT PUMP 7/8" VERTICAL SHAFT	91200200	1		
1	THERMAL VALVE COVER - SHORT	91340210	1		
2	VALVE SCREW	91840180	1		
3	O-RING SEAL 12.42x1.78	63624800	1		
4	O-RING SEAL 8.0x2.0	73625070	1		
5	THERMAL VALVE TIN COATED	64134030	1		
6	HELICAL SPRING	53322900	1		
7	UNLOADER VALVE ASSEMBLY	91750050	1		
8	NOZZLE INSERT WITH 2 O-RINGS	91393720	1		
9	DETERGENT INLET ASSEMBLY	28838620	1		
10	DRAIN PLUG WITH O-RING	41320070	3		
11	VALVE (3 PACK)	28849160	1		
12	VALVE (3 PACK)	91393710	1		
13	PLATE	50030620	1		
14	CYLINDER HEAD - MACHINED	91350150	1		
15	HEXAGONAL HEAD SCREW M8x80-8.8	73040980	4		

2.2 Piston
VERSION 3

updated 21 Jul 2010



2.2 Piston
VERSION 3

updated 21 Jul 2010

POS	DESCRIPTION ADDITIONAL INFORMATIONS	PART NO	QTY.	FROM SER. NR.	UP TO SER. NR.
0	COMPLETE REPLACEMENT PUMP 7/8" VERTICAL SHAFT	91200200	1		
1	GROOVED RING / WATER SEAL	91773010	3		
2	BACK RING HP SEAL	91773100	3		
3	O-RING SEAL 21.5x1.78	63628330	3		
4	BRASS BUSHING	91550110	3		
5	GROOVED RING / COMPACT SEAL	63630580	3		
6	SPACER	91340160	3		
7	GROOVED RING / OIL SEAL 12x20x476	63653930	3		
8	PISTON GUIDANCE - MACHINED	91330070	1		
9	O-RING SEAL 80.0x3.0	63624710	1		
10	PISTON COMPLETE	91393700	3		
11	FEMALE HOSE CONNECT	91550130	1		
12	O-RING SEAL 15.6x1.78	63623900	1		
13	MALE ADAPTER	91340190	1		
14	FILTER SEAL-HOSE CONNECTOR	91800050	1		
16	GASKET 4.47x1.78	63631900	1		

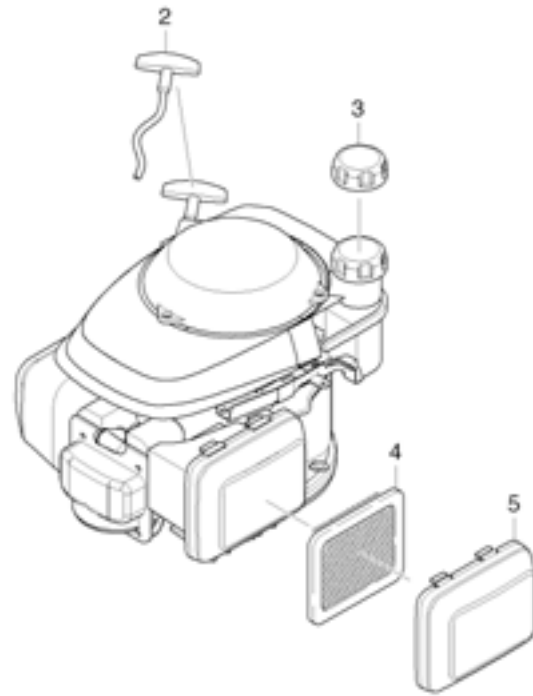
3.0 Motor

3.1 Motor

3.2 Transmission

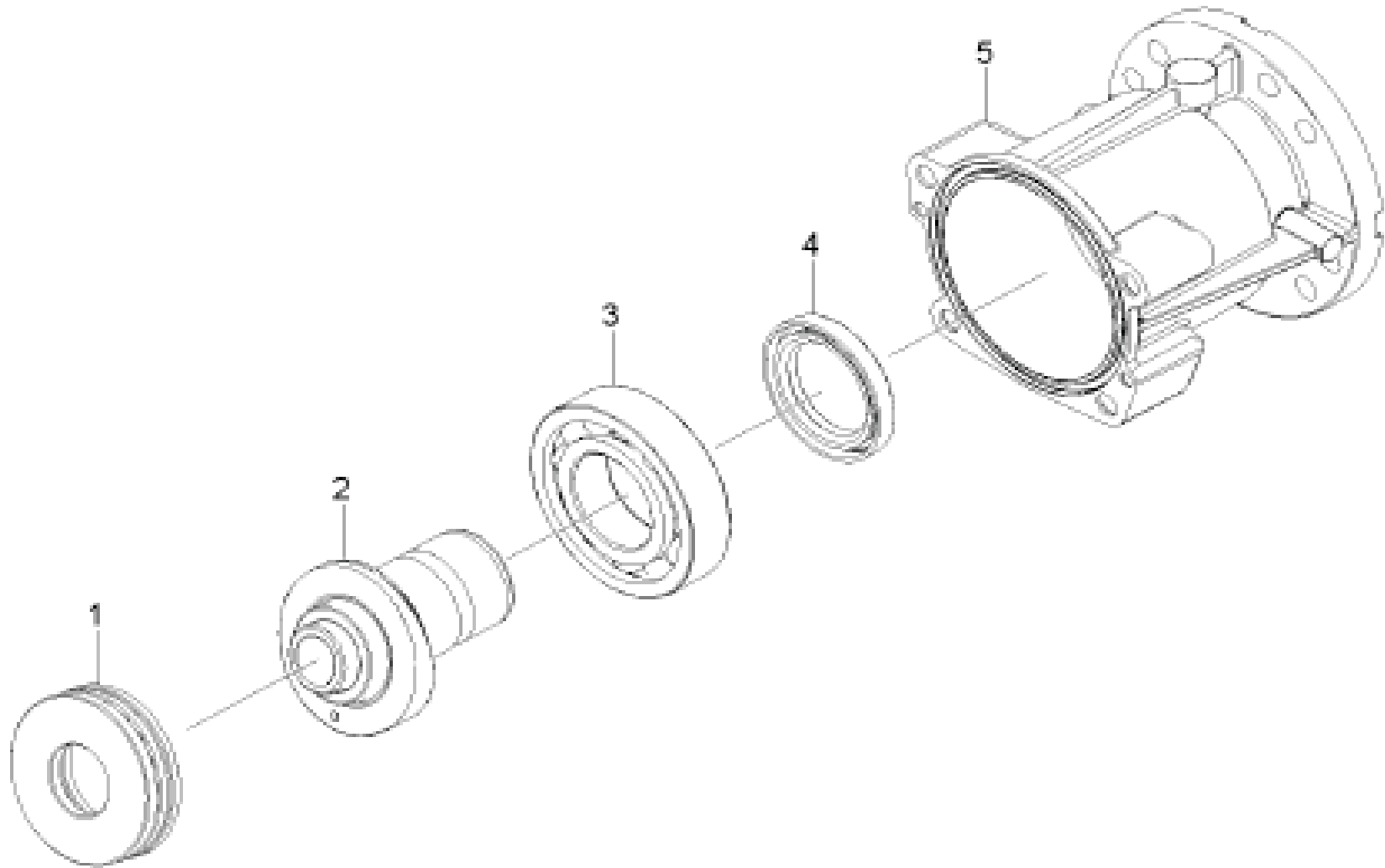


3.1 Motor



3.1 Motor

POS	DESCRIPTION ADDITIONAL INFORMATIONS	PART NO	QTY.	FROM SER.NR.	UP TO SER. NR.
2	HANDLE	64915030	1		
3	GC 160 GAS CAP	91945480	1		
4	AIR FILTER ELEMENT	64917260	1		
5	COVER	91945430	1		

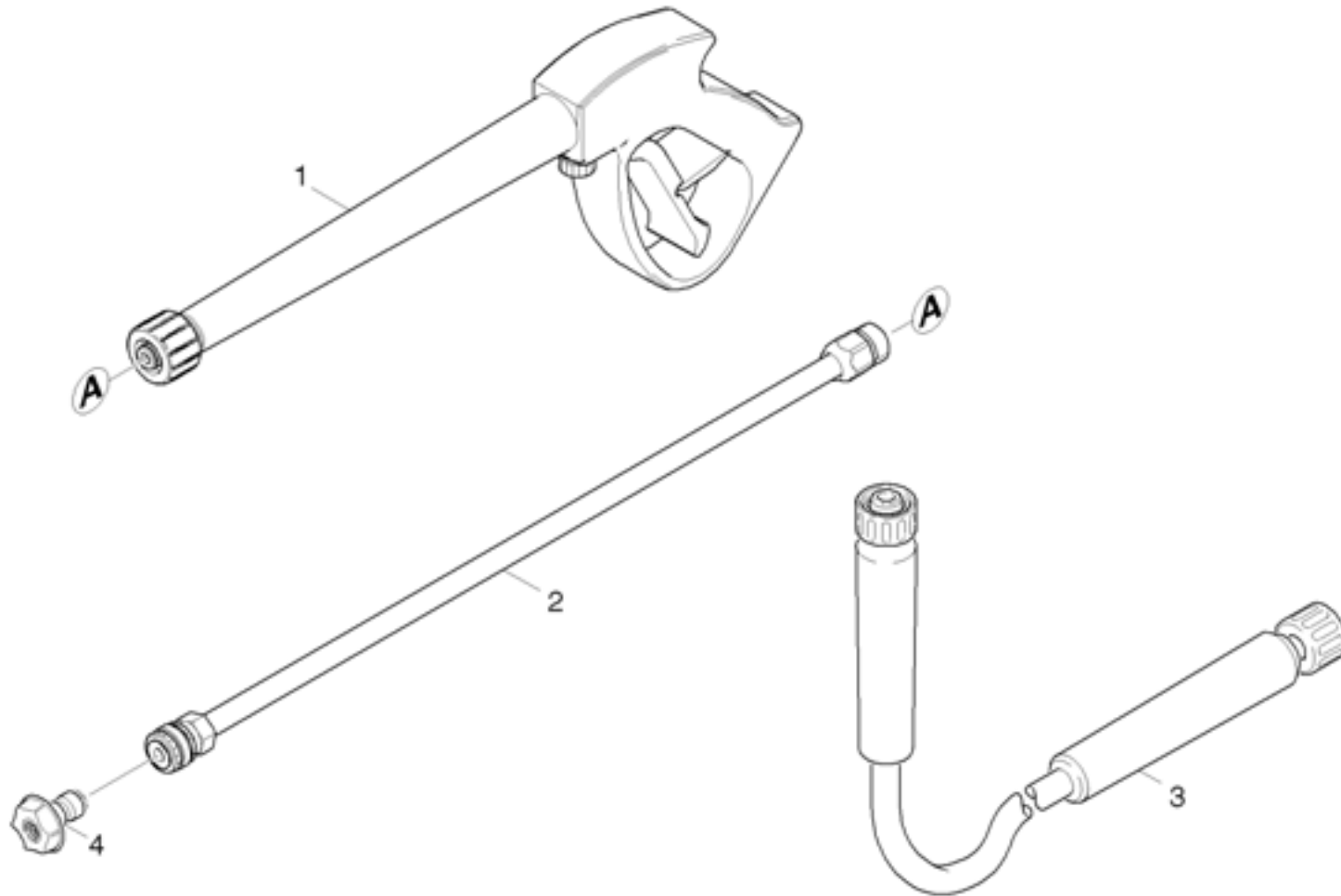


3.2 Transmission

updated 21 Jul 2010

POS	DESCRIPTION ADDITIONAL INFORMATIONS	PART NO	QTY.	FROM SER. NR.	UP TO SER. NR.
1	GROOVED BALL BEARING	91653550	1		
2	SWASH PLATE - VERTICAL 7/8" SHAFT - MACHINED	91350170	1		
3	AXIAL BALL BEARING	91653560	1		
4	SHAFT SEAL 35x52x7	91773140	1		
5	OIL HOUSING - VERTICAL - MACHINED	91350160	1		
not shown	SHAFT KEY 3/16" SQ x 1.25"	91945920	1		
not shown	PUMP OIL 1 LITRE (15w-40)	62880500	1		

4.0 Accessories



4.0 Accessories

POS	DESCRIPTION ADDITIONAL INFORMATIONS	PART NO	QTY.	FROM SER.NR.	UP TO SER. NR.
1	AL BIT101 TRIGGER GUN	91120120	1		
2	LANCE- AL QUICK CONNECT MALE 3000 PSI	91125260	1		
3	HP HOSE DN6/25'/3000/KA/BLK/PLSTC	91623210	1		
4	QUICK CONNECT NOZZLE KIT (0325)	91040160	1		