



# Spare parts list

(11944030) G 2500 LH

2006 01

91391840

[www.kaercher.com](http://www.kaercher.com)

**EN**

# CONTENT LIST

## 1.0 Frame

## 2.0 Pump set

### 2.1 Cylinder head

VERSION 1

### 2.2 Piston

VERSION 1

### 2.3 Cylinder head

VERSION 2

### 2.4 Piston

VERSION 2

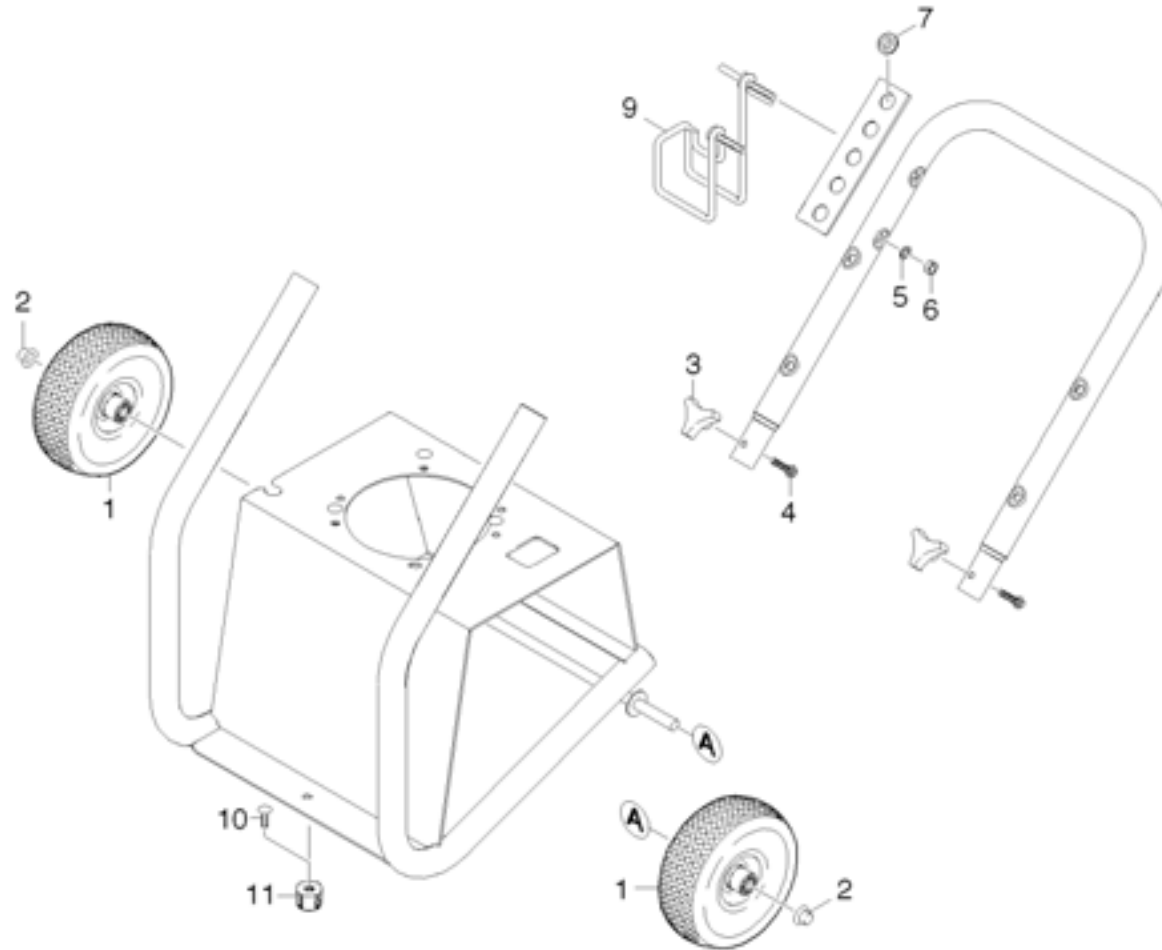
## 3.0 Motor

### 3.1 Motor

### 3.2 Transmission

## 4.0 Accessories

## 1.0 Frame



## 1.0 Frame

POS	DESCRIPTION <a href="#">ADDITIONAL INFORMATIONS</a>	PART NO	QTY.	FROM SER.NR.	UP TO SER. NR.
1	WHEEL, 8"X2.5"	91890090	2		
2	1/2" RETAINING CAP	91825050	2		
3	KNOB 1/4"-20,3PT. STAR	91823530	2		
4	1/4-20 x 1-1/2 GR 2 HEX BOLT ZINC	91963070	2		
5	5/16"-18 FINISHED HEX NUT ZINC	53101050	2		
6	5/16 INTERNAL L/W .332 ID X .620 OD ZINC	91980030	2		
7	GROMMET	91772040	4		
9	HANGER WELD ASSY 45DEG RIGHT (SOLO)	91420090	1		
10	5/16-18 X 1/2 CARRIAGE BOLT A307 BLK	91963080	2		
11	RUBBER DAMPENER 5/16"-18FEMALE 2001	91834050	2		

## 2.0 Pump set

2.1 Cylinder head

VERSION 1

2.2 Piston

VERSION 1

2.3 Cylinder head

VERSION 2

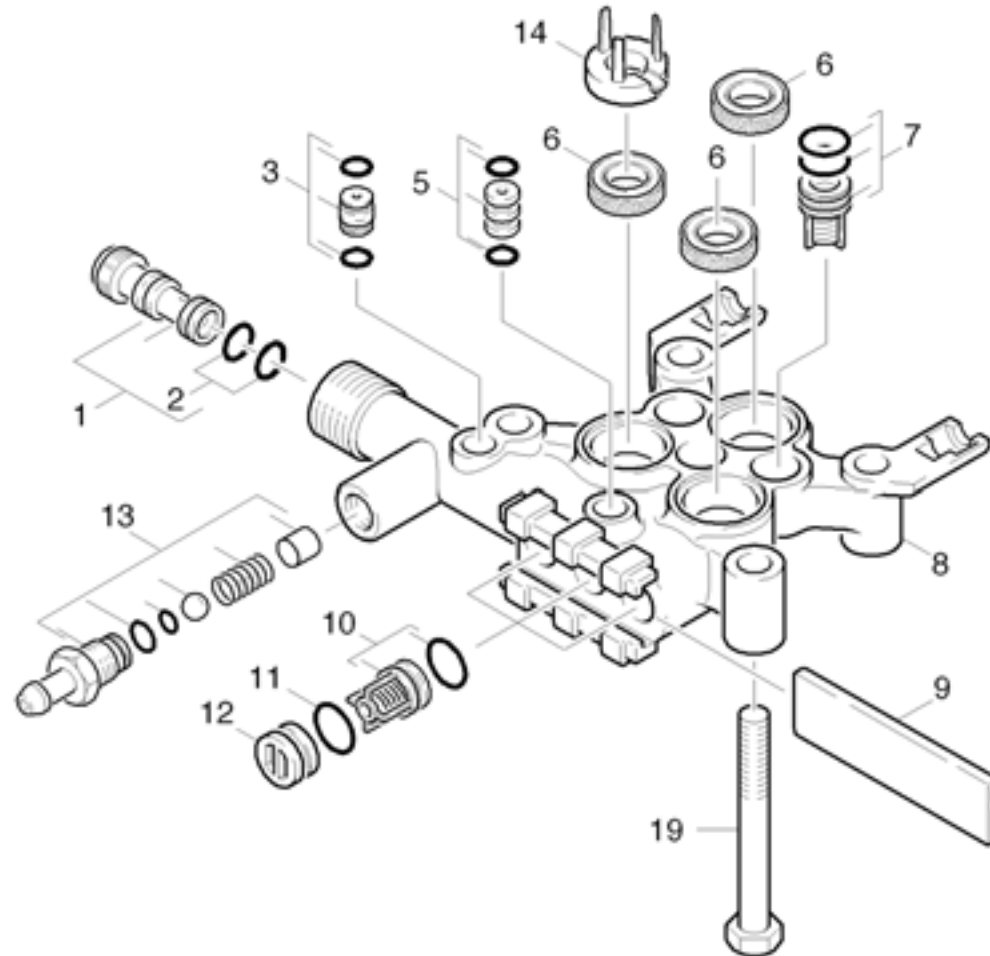
2.4 Piston

VERSION 2



## 2.3 Cylinder head

### VERSION 2



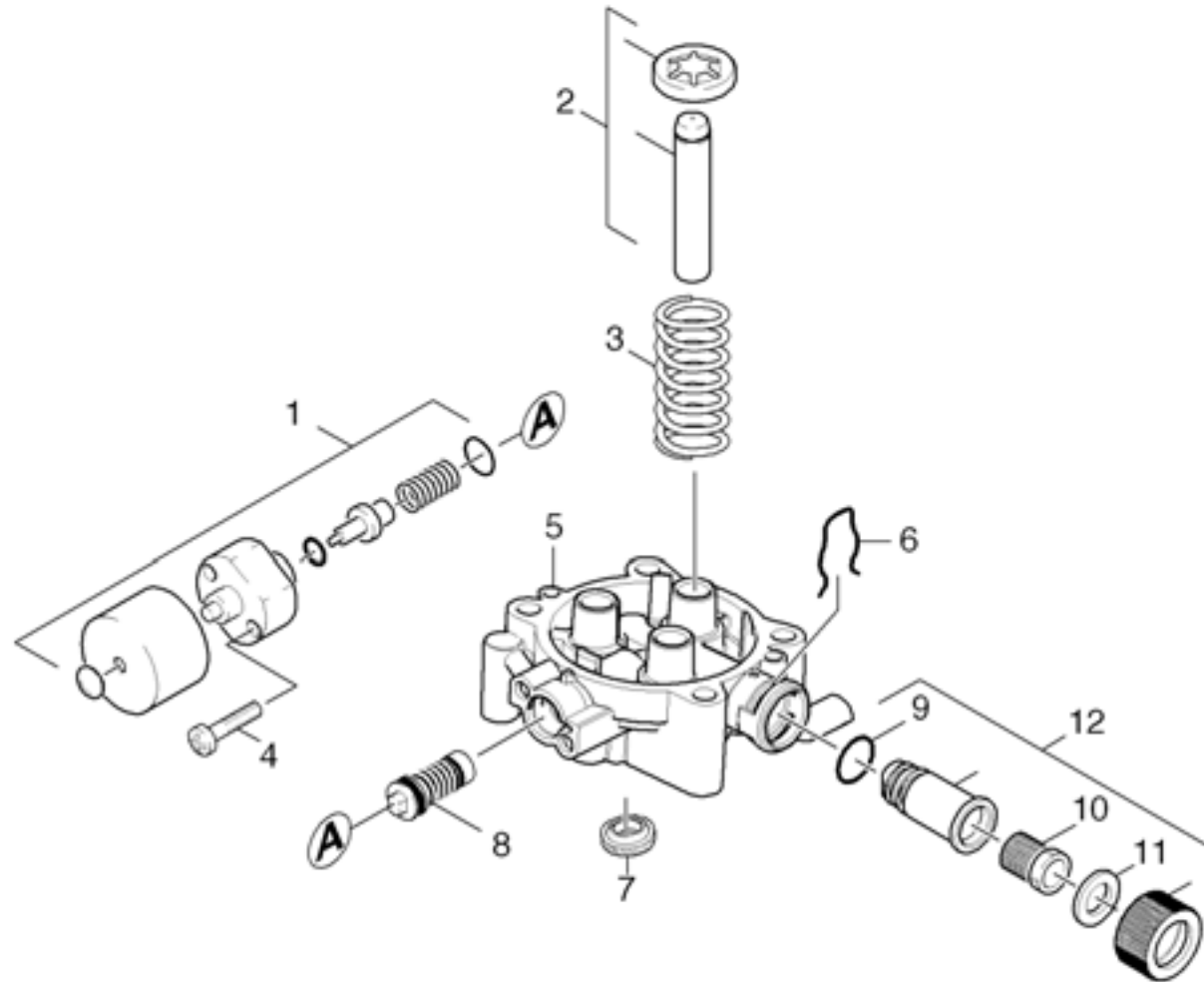
## 2.3 Cylinder head

### VERSION 2

POS	DESCRIPTION ADDITIONAL INFORMATIONS	PART NO	QTY.	FROM SER.NR.	UP TO SER. NR.
1	NOZZLE INSERT	47690350	1		
2	O-RING 9,0 X 1,5	63623840	1		
3	Throttle complete	40301090	1		
5	JOINING PIECE	40301250	1		
6	GROOVED RING 12X20X5.3/2.8	63653940	3		
7	VALVE	45803300	3		
8	CYLINDER HEAD	55502940	1		
9	PLATE	50030620	1		
10	VALVE	45803310	3		
11	GASKET 11 X 2	63632730	3		
12	DRAIN PLUG	41320070	3		
13	SPARE PARTS KIT	28838620	1		
14	WASHER	51160620	3		
19	Hexagonal head screw M8x80 -8.8-A2E ISO	73040980	4		

## 2.4 Piston

### VERSION 2



## 2.4 Piston

updated 8 Jul 2010

### VERSION 2

POS	DESCRIPTION ADDITIONAL INFORMATIONS	PART NO	QTY.	FROM SER. NR.	UP TO SER. NR.
1	THERMAL RELIEF VALVE 60 GRD	45803600	1		
2	PISTON COMPLETE	45532280	3		
3	PRESSURE SPRING	53323910	3		
4	SCREW M6x30 -St-R3R (In6Rd)	73030660	2		
5	PISTON GUIDANCE	50612870	1		
6	CLAMP	50489150	1		
7	GROOVED RING (OIL SEAL) 12x20x4/6	63653930	3		
8	SPILL VALVE	45910400	1		
9	GASKET 13.0x3.0	63630380	1		
10	FILTER	64142520	1		
11	SEAL	53641290	1		
12	WATER INLET ASSEMBLY (SPARE PART KIT)	91723160	1		

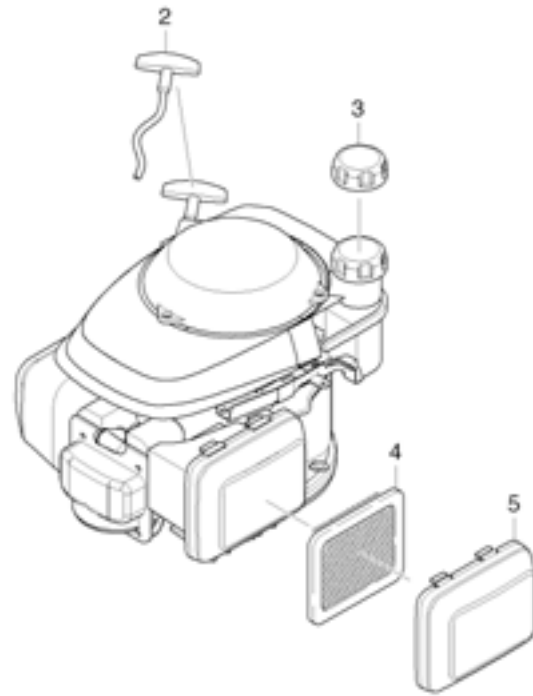
## 3.0 Motor

3.1 Motor

3.2 Transmission



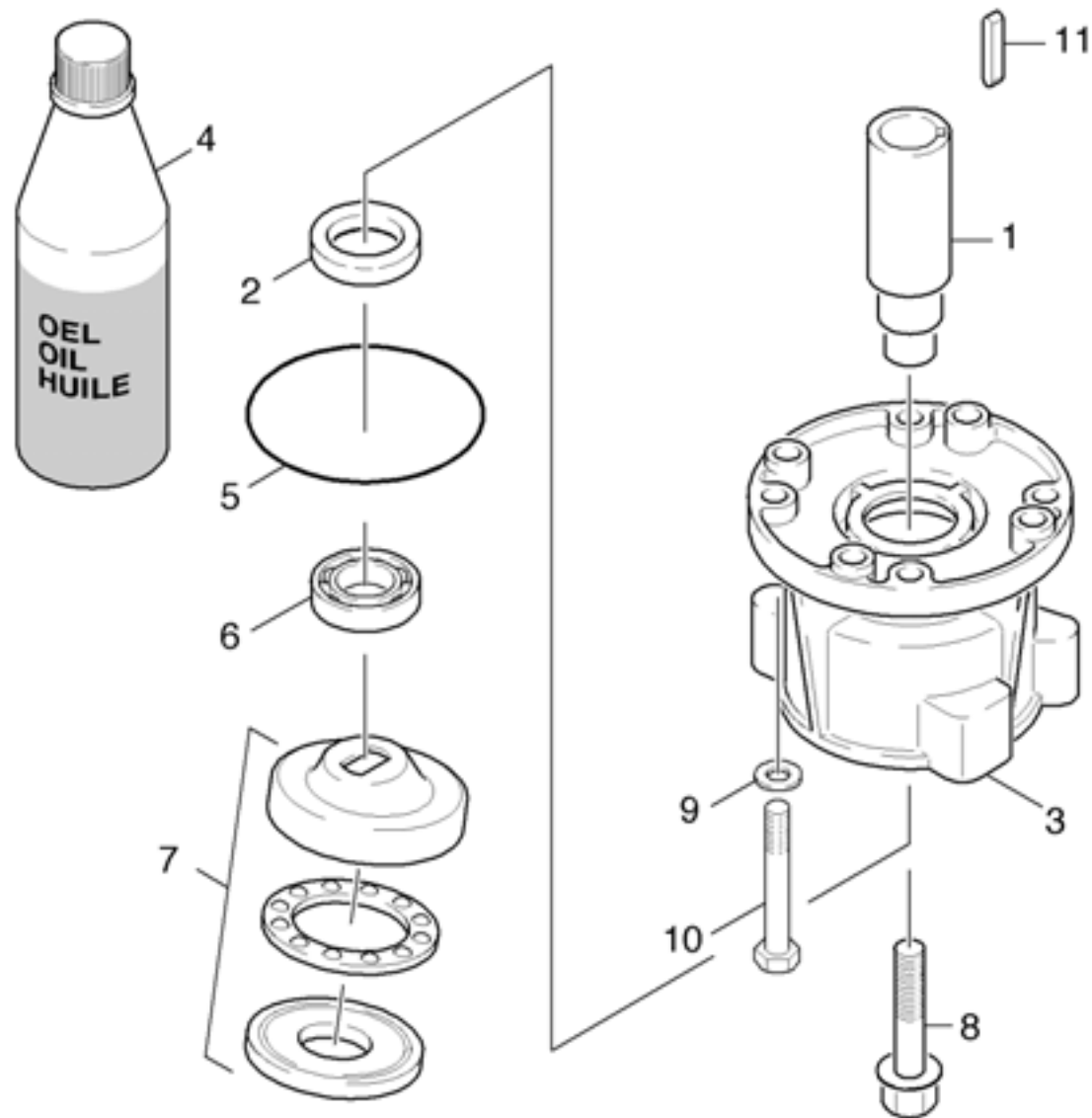
### 3.1 Motor



### 3.1 Motor

POS	DESCRIPTION <a href="#">ADDITIONAL INFORMATIONS</a>	PART NO	QTY.	FROM SER.NR.	UP TO SER. NR.
2	HANDLE	64915030	1		
3	GC 160 GAS CAP	91945480	1		
4	AIR FILTER ELEMENT	64917260	1		
5	COVER	91945430	1		

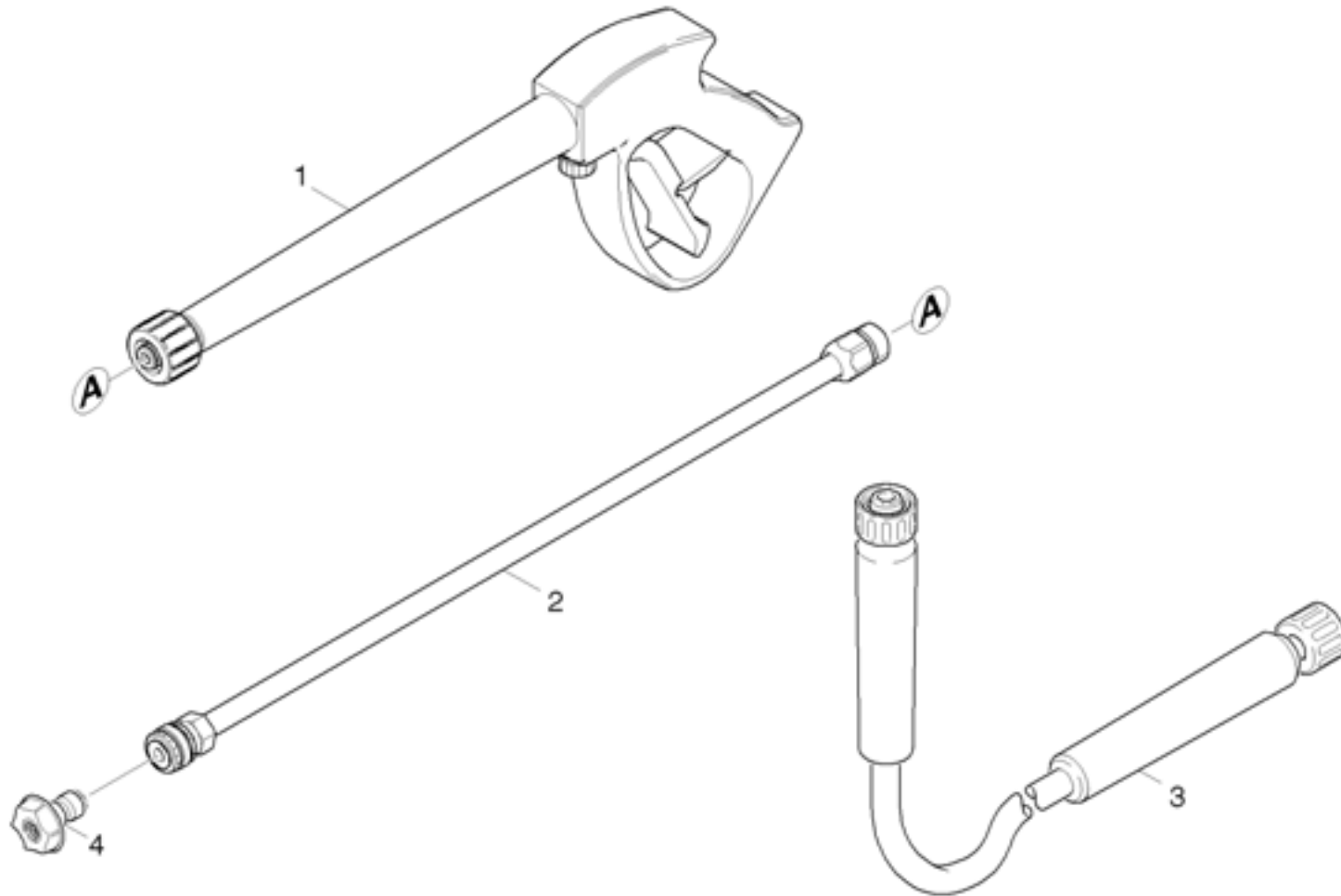
## 3.2 Transmission



## 3.2 Transmission

POS	DESCRIPTION ADDITIONAL INFORMATIONS	PART NO	QTY.	FROM SER.NR.	UP TO SER. NR.
1	PUMP SHAFT (VERT.)	91540310	1		
2	SEAL RING	73670180	1		
3	HOUSING-VERTICAL	91350010	1		
4	OIL 1 LITRE	62880500	1		
5	O RING 80 X 3	63624710	1		
6	AXIAL BALL BEARING	90870100	1		
7	SWASH PLATE	64012890	1		
8	M6 X 19 TORX DRIVE W/WASHER SEMS CLASS	63040480	1		
9	5/16" SPLIT LOCK WASHER ZINC	51156560	4		
10	5/16-24UNF X 1.75 SOCKET HEAD CAP SCREW	91960330	4		
11	SHAFT KEY	91945920	1		

## 4.0 Accessories



## 4.0 Accessories

POS	DESCRIPTION <a href="#">ADDITIONAL INFORMATIONS</a>	PART NO	QTY.	FROM SER.NR.	UP TO SER. NR.
1	AL BIT101 TRIGGER GUN	91120120	1		
2	LANCE- AL QUICK CONNECT MALE 3000 PSI	91125260	1		
3	HP HOSE DN6/25'/2900/KA/BLK/PLSTC	91623210	1		
4	QUICK CONNECT NOZZLE KIT (0325)	91040160	1		