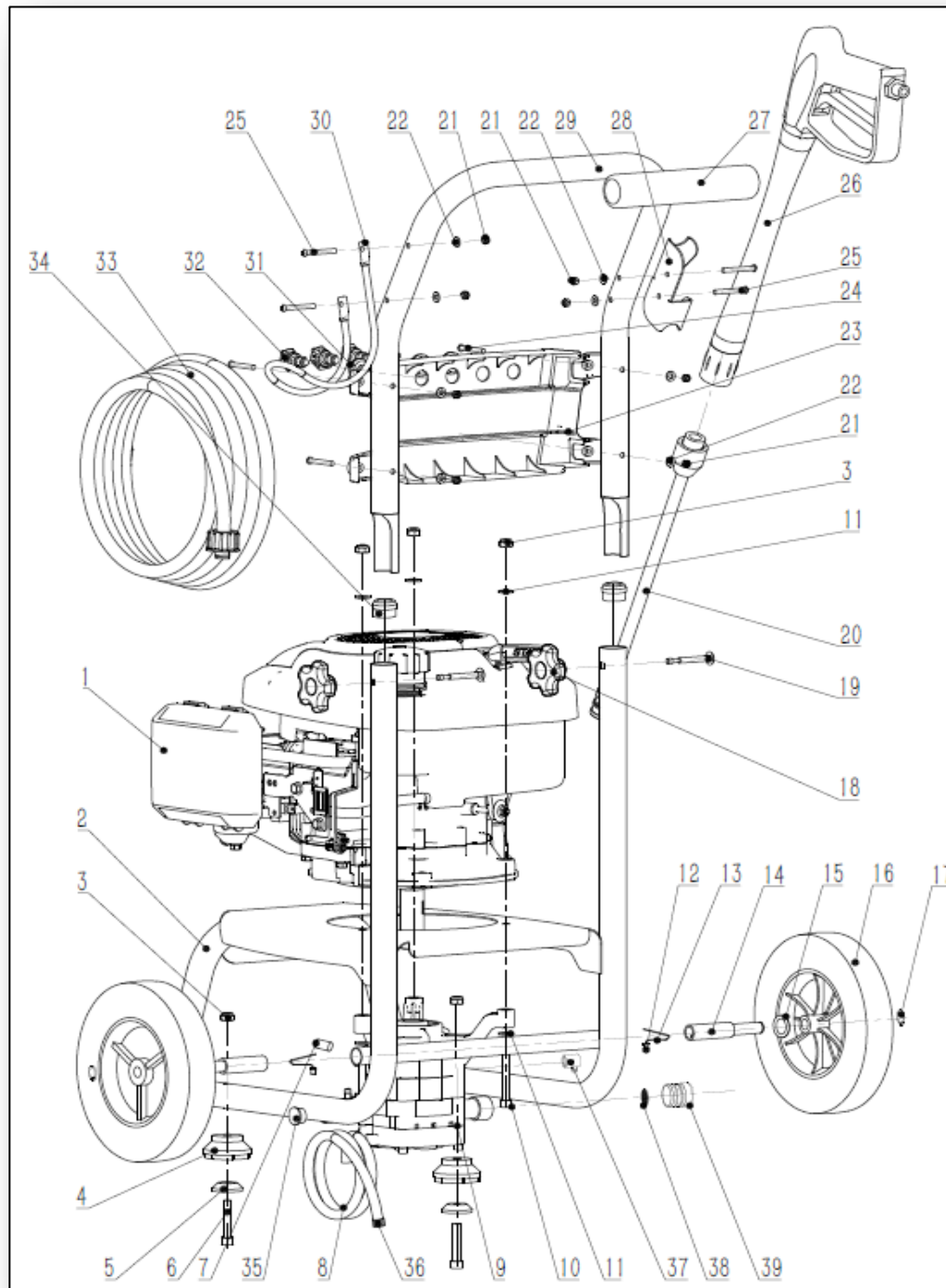


---

G 2200 GAS PRESSURE WASHER (1.107-279.0)	1
MODEL OVERVIEW	2-3
10 SPARE PART LIST, G2200	4
10 FRAME	5
20 SPARE PART LIST, G2200	6
20 PUMP	7
30 SPARE PART LIST, G2200	8
30 MOTOR	9
40 SPARE PART LIST, G2200	10
41 SPARE PART LIST, G2200 ACCESSORIES - TRIGGER GUN	11
41 ACCESSORIES - TRIGGER GUN	12
42 SPARE PART LIST, G2200 ACCESSORIES - HIGH PRESSURE HOSE	13
42 ACCESSORIES - HIGH PRESSURE HOSE	14
43 SPARE PART LIST, G2200 ACCESSORIES - SPRAY WAND / LANCE	15
43 ACCESSORIES - SPRAY WAND / LANCE	16
44 SPARE PART LIST, G2200 ACCESSORIES - NOZZLES	17
44 ACCESSORIES - NOZZLES	18



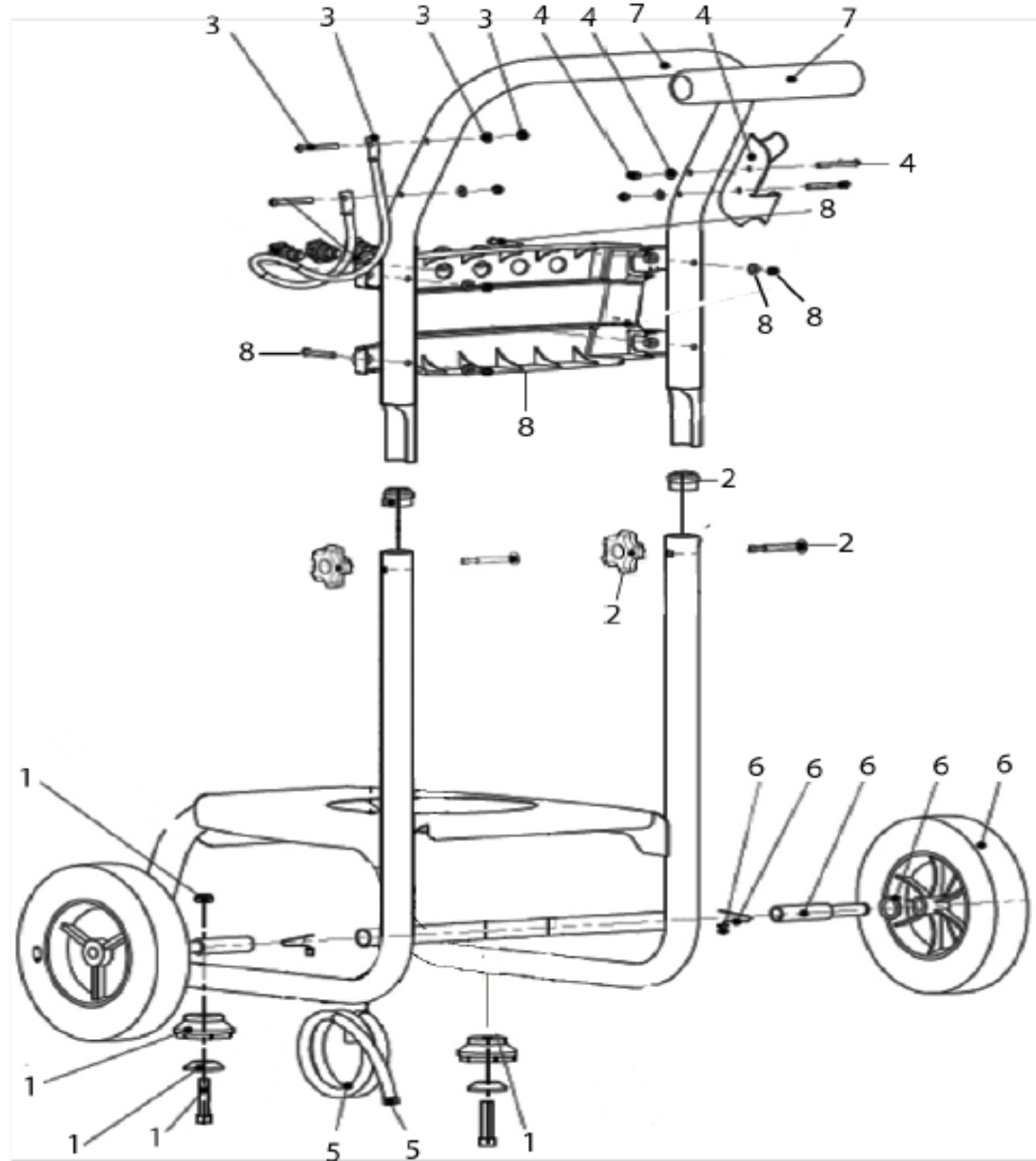
## Model: G2200 Kärcher P/N: 1.107-279.0, Overview

1	Engine
2	Lower Frame Assembly
3	Locknut
4	Rubber Footpad
5	Bracket
6	Inner Hexagon Bolt
7	Overflow Valve Cap
8	Detergent Tube
9	Pump - Vertical Mount
10	Inner Hexagon Bolt
11	Plain Washer
12	Clips
13	Spring
14	Wheel Axle
15	Plain Washer
16	Wheel
17	Circlip
18	Fixed Nut Component
19	Square Neck Bolt
20	High Pressure Lance
21	Locknut
22	Plain Washer
23	Panel
24	Cross Pan Head Screw
25	Cross Pan Head Screw
26	High Pressure Gun

27	Handrail Foam
28	Gun Hooker
29	Upper Frame
30	Hose Hooker
31	Nozzle Pad
32	Nozzle
33	High Pressure Hose
34	Plug
35	Small Anti-Dust Cap
36	Detergent Filter
37	Thermal Valve
38	Filter
39	Inlet Quick Connector
40	Name Plate Label
41	Engine Cover Label <input type="checkbox"/>
42	Oil Filling Label <input type="checkbox"/>
43	Warning Label
44	Carb Label
45	Oil Hang Tag
46	O-Ring label
47	Serial No. Tag
48	Manual
49	Box
50	Oil Bottle 20 OZ.
51	Label Oil Bottle Front
52	Label Oil Bottle Back

POS Description

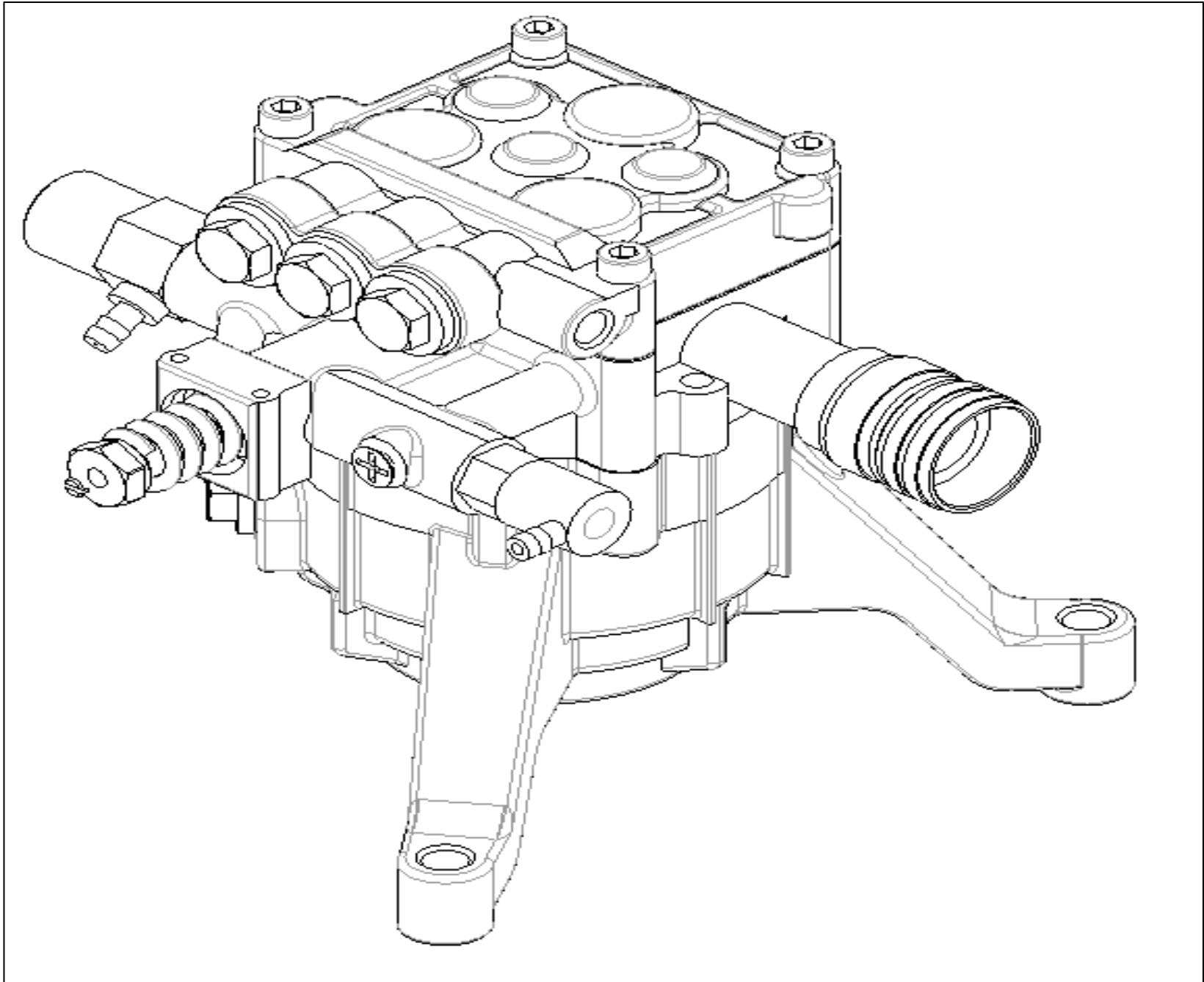
10 FRAME



POS	Article no.	Description	Quantity	Unit	Foot note text
1	8.755-629.0	SERVICE KIT 1 RUBBER PAD	1.000	ST	ARTICLE ONLY AVAILABLE AT KNA
2	8.755-630.0	SERVICE KIT 2 HANDLE KNOB	1.000	ST	ARTICLE ONLY AVAILABLE AT KNA
3	8.755-631.0	SERVICE KIT 3 HOOK	1.000	ST	ARTICLE ONLY AVAILABLE AT KNA
4	8.755-632.0	SERVICE KIT 4 BRACKET GUN G2200	1.000	ST	ARTICLE ONLY AVAILABLE AT KNA
5	8.755-634.0	SERVICE KIT 6 HOSE G2200	1.000	ST	ARTICLE ONLY AVAILABLE AT KNA
6	8.755-636.0	SERVICE KIT 8 WHEEL G2200	1.000	ST	ARTICLE ONLY AVAILABLE AT KNA
7	8.755-638.0	SERVICE KIT 10 FRAME HANDLE UPR G2200	1.000	ST	ARTICLE ONLY AVAILABLE AT KNA
8	8.755-640.0	SERVICE KIT 12 NOZZLE G2200	1.000	ST	ARTICLE ONLY AVAILABLE AT KNA

POS Description

20 PUMP



POS	Article no.	Description	Quantity	Unit	Foot note text
1	8.755-743.0	G2200 PUMP KIT 22	1.000	ST	ARTICLE ONLY AVAILABLE AT KNA

---

POS	Description
-----	-------------

30	MOTOR
----	-------

---



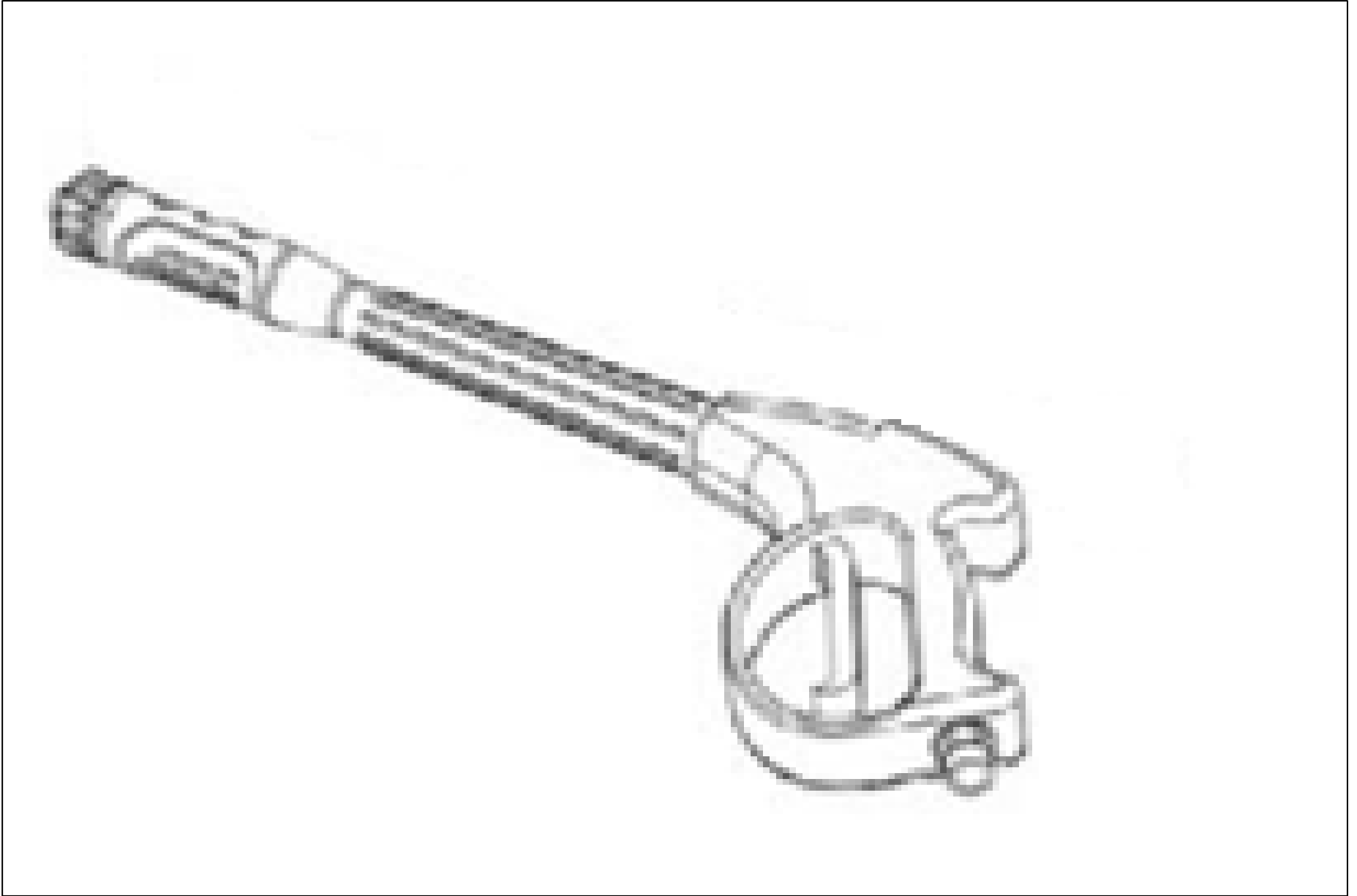
POS	Article no.	Description	Quantity	Unit	Foot note text
-----	-------------	-------------	----------	------	----------------

---

POS	Description
40	ACCESSORIES -
41	TRIGGER GUN
42	HIGH PRESSURE HOSE
43	SPRAY WAND / LANCE
44	NOZZLES

**POS Description**

41 ACCESSORIES - TRIGGER GUN



41 ACCESSORIES - TRIGGER GUN

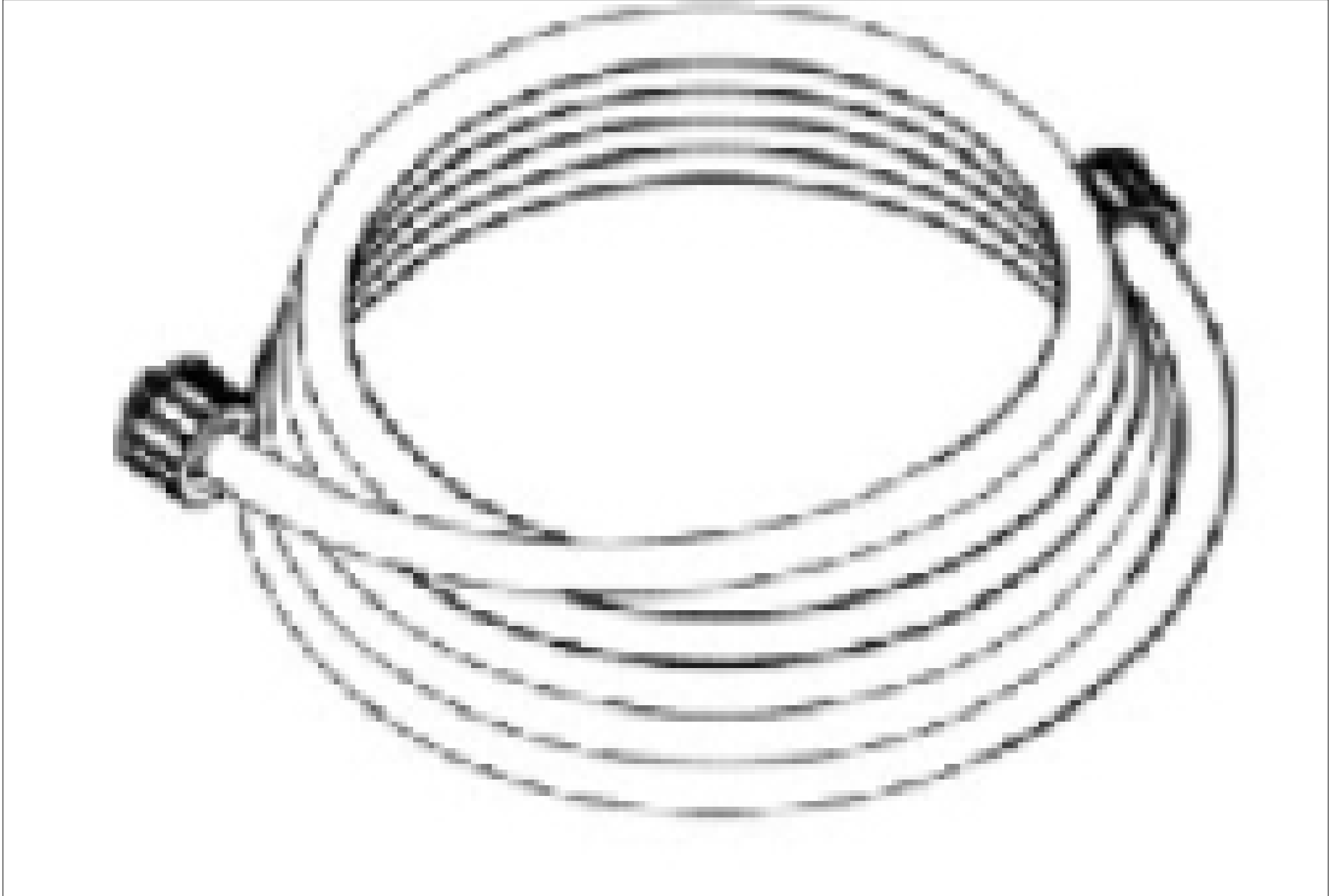
---

POS	Article no.	Description	Quantity	Unit	Foot note text
1	8.750-825.0	TRIGGER GUN	1.000	ST	ARTICLE ONLY AVAILABLE AT KNA
	2.880-990.0	O-RING 10.0x2.0 (5-PACK)	1.000	ST	ARTICLE ONLY AVAILABLE AT KNA

---

**POS Description**

42 ACCESSORIES - HIGH PRESSURE HOSE



42 ACCESSORIES - HIGH PRESSURE HOSE

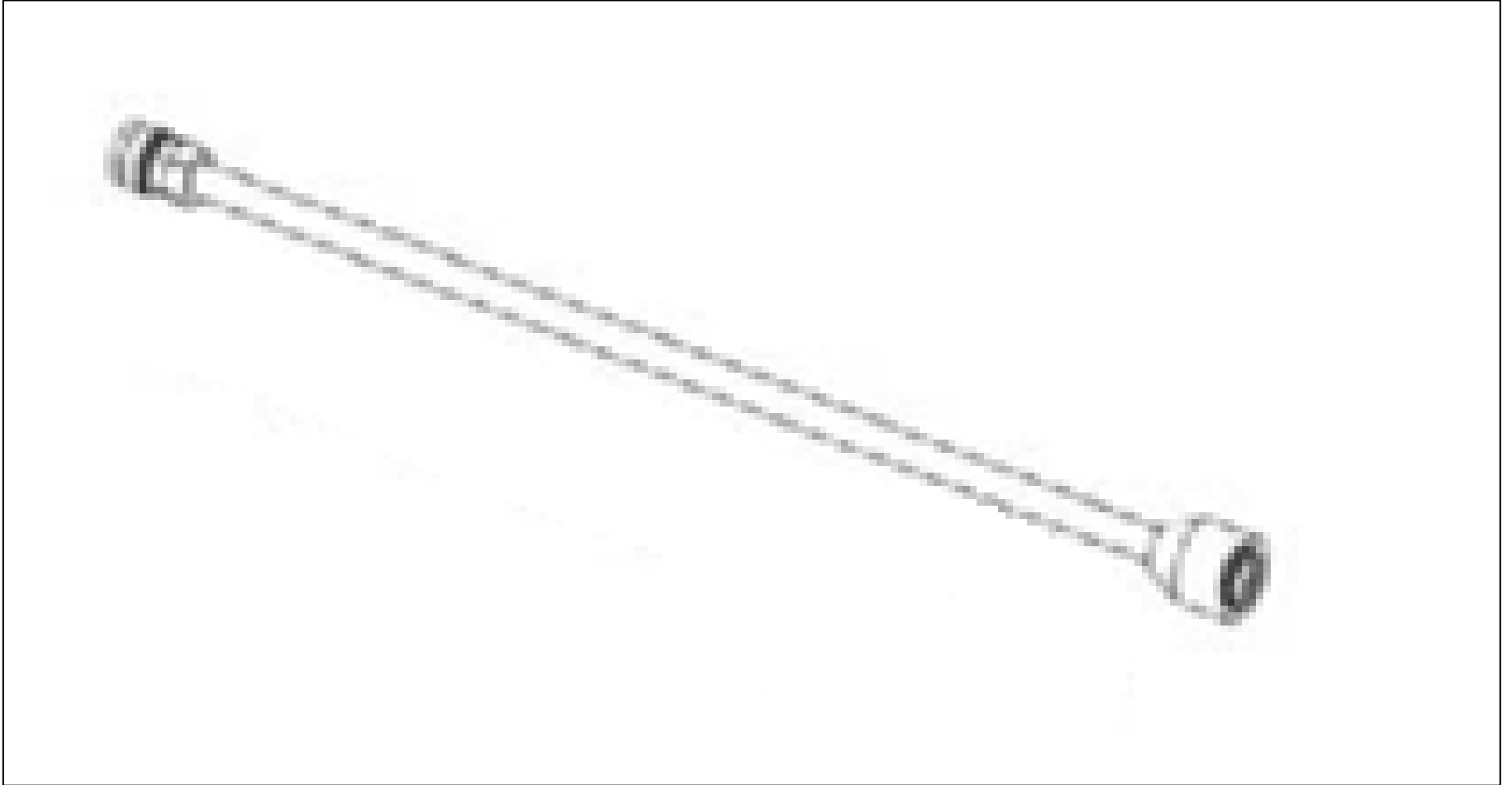
---

POS	Article no.	Description	Quantity	Unit	Foot note text
1	9.162-302.0	HIGH PRESSURE HOSE 25'	1.000	ST	ARTICLE ONLY AVAILABLE AT KNA
	2.880-990.0	O-RING 10.0x2.0 (5-PACK)	1.000	ST	ARTICLE ONLY AVAILABLE AT KNA

---

**POS Description**

43 ACCESSORIES - SPRAY WAND / LANCE



43 ACCESSORIES - SPRAY WAND / LANCE

---

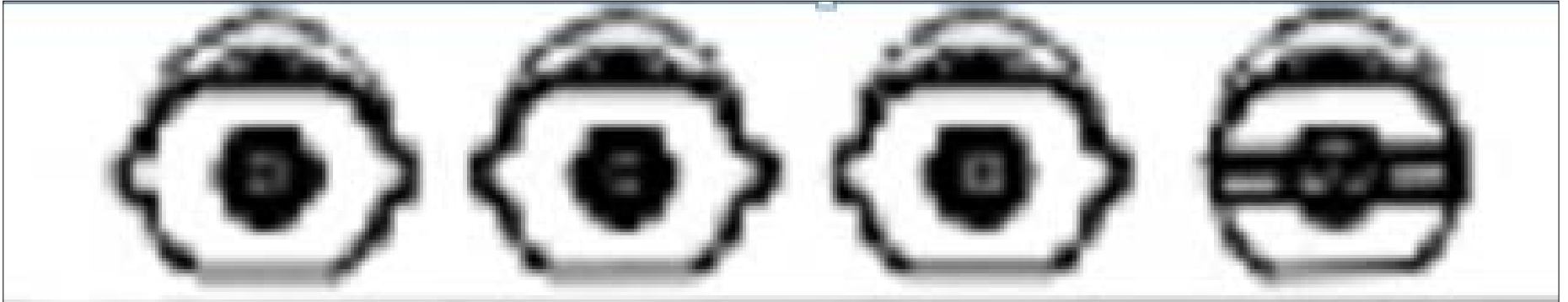
POS	Article no.	Description	Quantity	Unit	Foot note text
1	9.112-533.0	SPRAY WAND / LANCE 22"	1.000	ST	ARTICLE ONLY AVAILABLE AT KNA
2		O-RING FOR QUICK CONNECT	1.000	ST	ARTICLE ONLY AVAILABLE AT KNA

---



**POS Description**

44 ACCESSORIES - NOZZLES



POS	Article no.	Description	Quantity	Unit	Foot note text
1	8.726-117.0	QUICK CONNECT NOZZLES 030 4-PACK	1.000	ST	
	8.723-576.0	QUICK CONNECT NOZZLE RED 00030	1.000	ST	PURCHASE INDIVIDUALLY
	8.902-482.0	QUICK CONNECT NOZZLE YELLOW 15030	1.000	ST	NOT SHOWN PURCHASE INDIVIDUALLY
	8.902-484.0	QUICK CONNECT NOZZLE GREEN 25030	1.000	ST	PURCHASE INDIVIDUALLY
	8.902-485.0	QUICK CONNECT NOZZLE WHITE 40030	1.000	ST	PURCHASE INDIVIDUALLY
	8.723-636.0	QUICK CONNECT NOZZLE SOAP	1.000	ST	PURCHASE INDIVIDUALLY