



Spare parts list

(11336200) G 2000 ET

2006 04

91393540

www.kaercher.com

EN

CONTENT LIST

1.0 Frame

2.0 PUMP SET

2.1 CYLINDER HEAD

2.2 PISTON

3.0 MOTOR

3.1 MOTOR

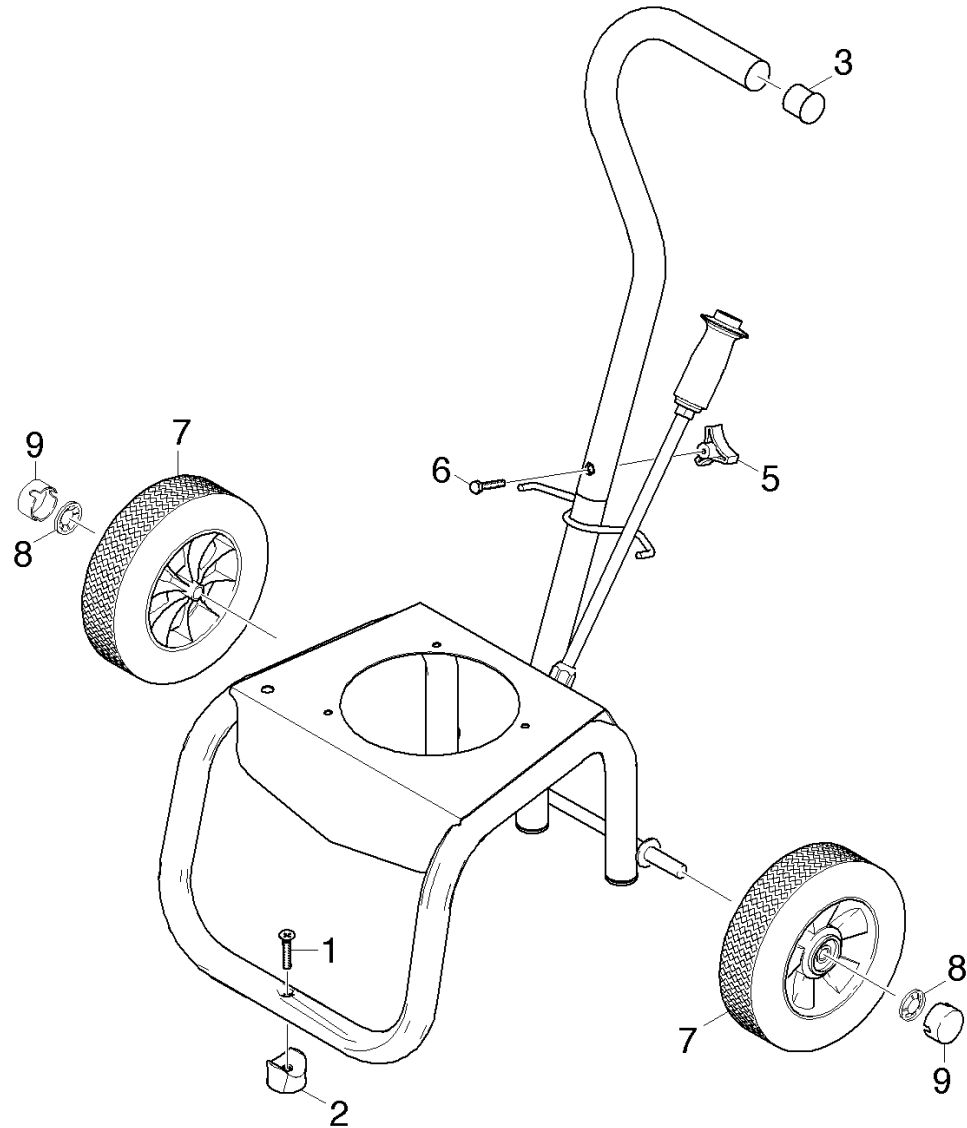
3.2 ACTUATION

4.0 ACCESSORIES

4.1 TRIGGER GUN

4.2 JET PIPE

1.0 Frame



1.0 Frame

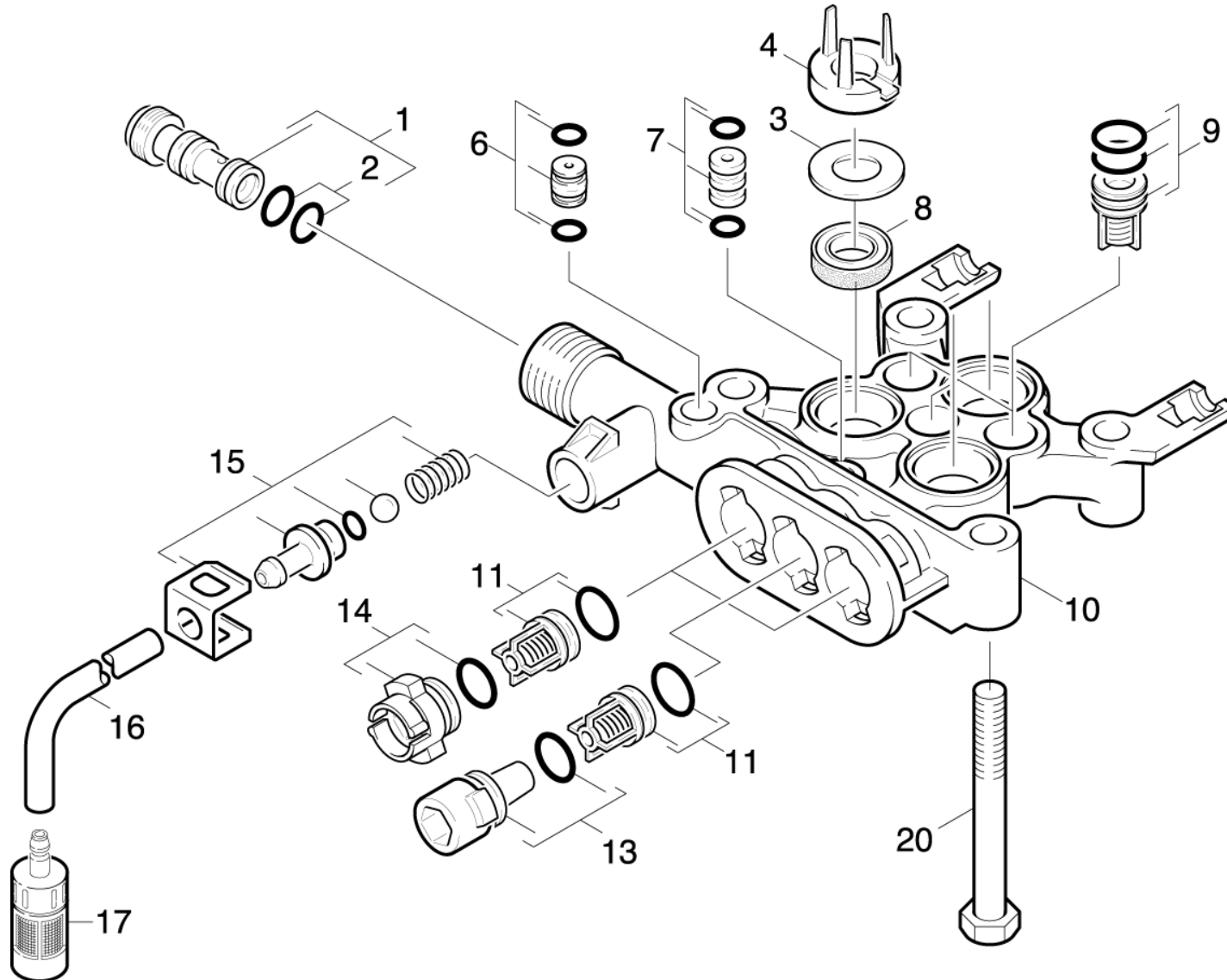
| POS | DESCRIPTION | PART NO | QTY. | FROM SER.NR. | UP TO SER. NR. |
|-----|-----------------------------------|----------|------|--------------|----------------|
| | ADDITIONAL INFORMATIONS | | | | |
| 1 | FLAT HEAD M/S 5/16-18X1-1/2" | 91960300 | 2 | | |
| 2 | RUBBER DAMPENER | 91834080 | 1 | | |
| 3 | BLACK,PLUG PLASTIC | 91830010 | 2 | | |
| 5 | KNOB 1/4"-20,3PT. STAR | 91823530 | 2 | | |
| 6 | 1/4-20 x 1-1/2 GR 2 HEX BOLT ZINC | 91963070 | 2 | | |
| 7 | WHEEL 8"x 1,75" | 91890040 | 2 | | |
| 8 | C1060-C070 QUICK WASHER THRU | 63431810 | 2 | | |
| 9 | WHEEL CAB | 64352210 | 2 | | |

2.0 PUMP SET

2.1 CYLINDER HEAD
2.2 PISTON



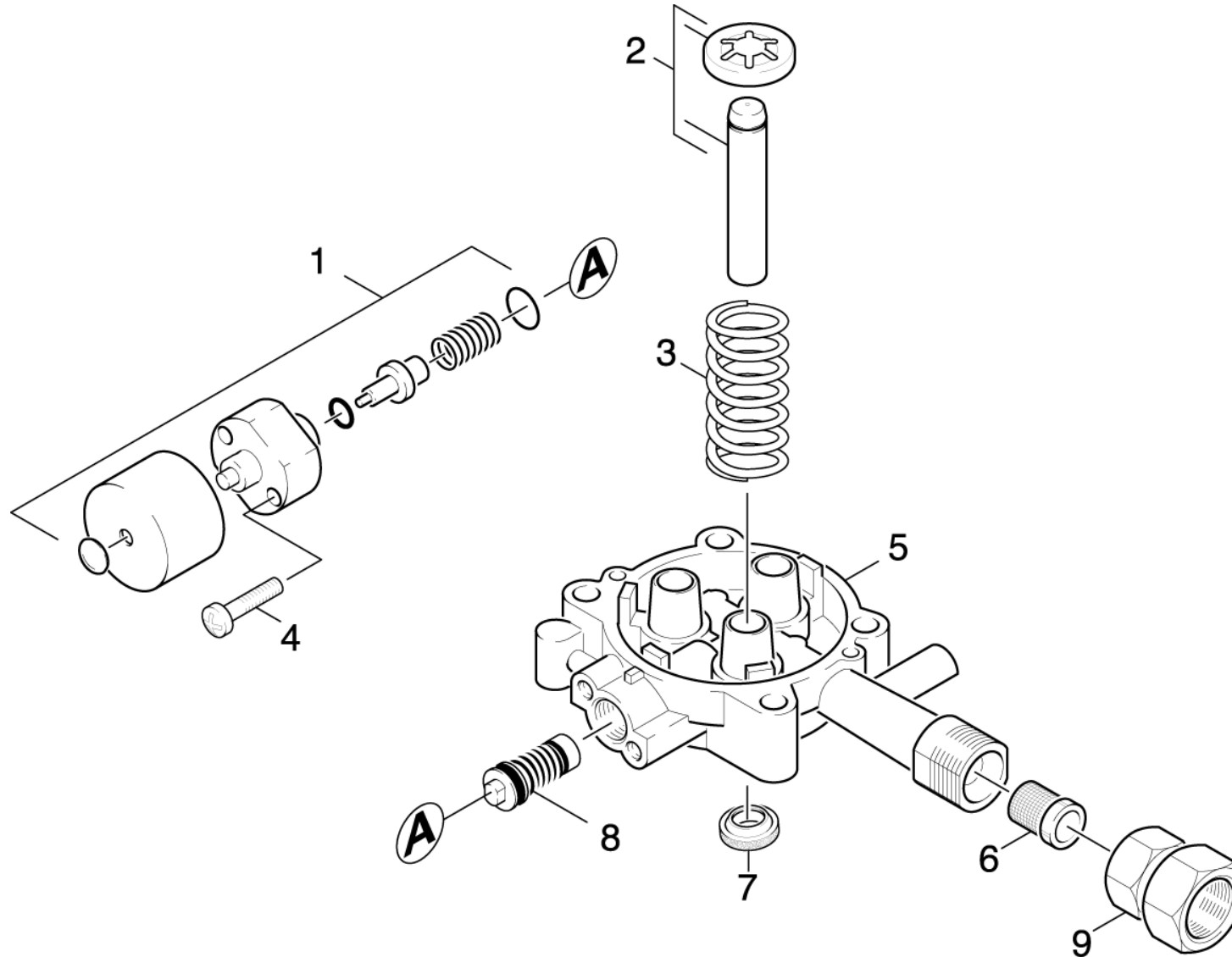
2.1 CYLINDER HEAD



2.1 CYLINDER HEAD

| POS | DESCRIPTION ADDITIONAL INFORMATIONS | PART NO | QTY. | FROM SER.NR. | UP TO SER. NR. |
|-----|---|----------|------|--------------|----------------|
| 1 | Nozzle insert only for replacement | 47690340 | 1 | | |
| 2 | O-Ring seal 9,0 x 1,5 | 63623840 | 2 | | |
| 3 | WASHER | 51157210 | 3 | | |
| 4 | WASHER | 51159030 | 3 | | |
| 6 | Throttle complete | 40301090 | 1 | | |
| 7 | JOINING PIECE | 40300450 | 1 | | |
| 8 | GROOVED RING 12X20X5.3/2.8 | 63653940 | 3 | | |
| 9 | VALVE | 45803300 | 3 | | |
| 10 | Cylinder head | 55502600 | 1 | | |
| 11 | Valve (3 Stueck) | 28848730 | 3 | | |
| 13 | PLUG KPL | 41320110 | 1 | | |
| 14 | PLUG | 41320100 | 1 | | |
| 15 | Spare part set | 28831580 | 1 | | |
| 16 | Hose DN 5 | 63882160 | 1 | | |
| | TO ORDER AS CUT GOODS | | | | |
| 17 | Filter chemistry regulation | 48620320 | 1 | | |
| 20 | Hexagonal head screw M 8X 75-8.8-A2E IS | 73044030 | 4 | | |
| 100 | Spare part set pump set -777 | 28842050 | 1 | | |

2.2 PISTON



2.2 PISTON

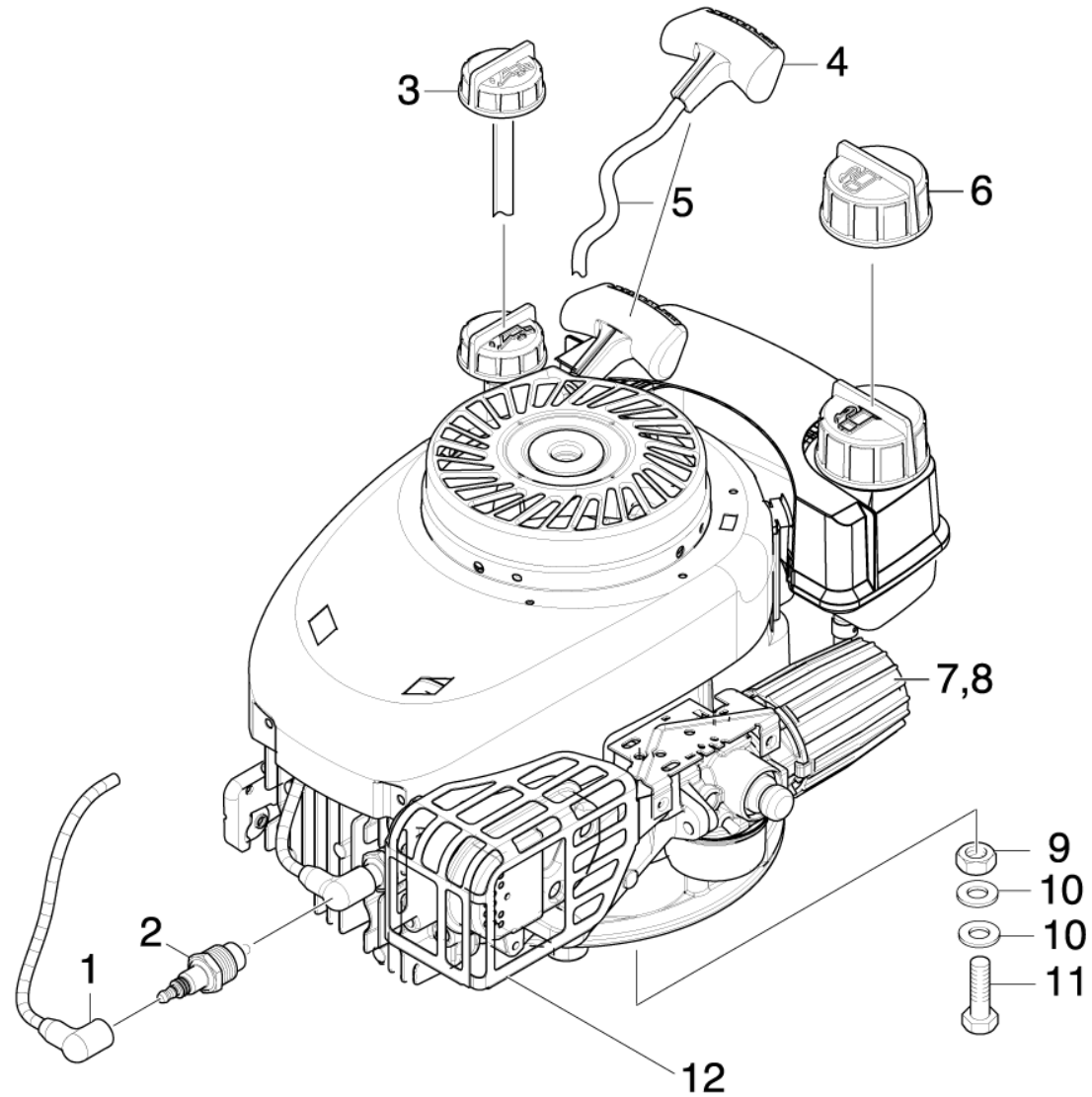
| POS | DESCRIPTION ADDITIONAL INFORMATIONS | PART NO | QTY. | FROM SER.NR. | UP TO SER. NR. |
|-----|--|----------|------|--------------|----------------|
| 1 | VALVE 60 GRD | 45803600 | 1 | | |
| 2 | PISTON KPL. | 45532150 | 3 | | |
| 3 | Pressure spring | 53323910 | 3 | | |
| 4 | Screw M6x30 -St-R3R (In6Rd) | 73030660 | 2 | | |
| 5 | PISTON GUIDANCE | 50608380 | 1 | | |
| 6 | FILTER | 64142520 | 1 | | |
| 7 | Grooved ring 12x20x4/6 | 63653930 | 3 | | |
| 8 | SPILL VALVE | 45910400 | 1 | | |
| 9 | SWIVEL ADAPTOR G-3/4 W/2-WASHERS | 91540090 | 1 | | |

3.0 MOTOR

3.1 MOTOR
3.2 ACTUATION



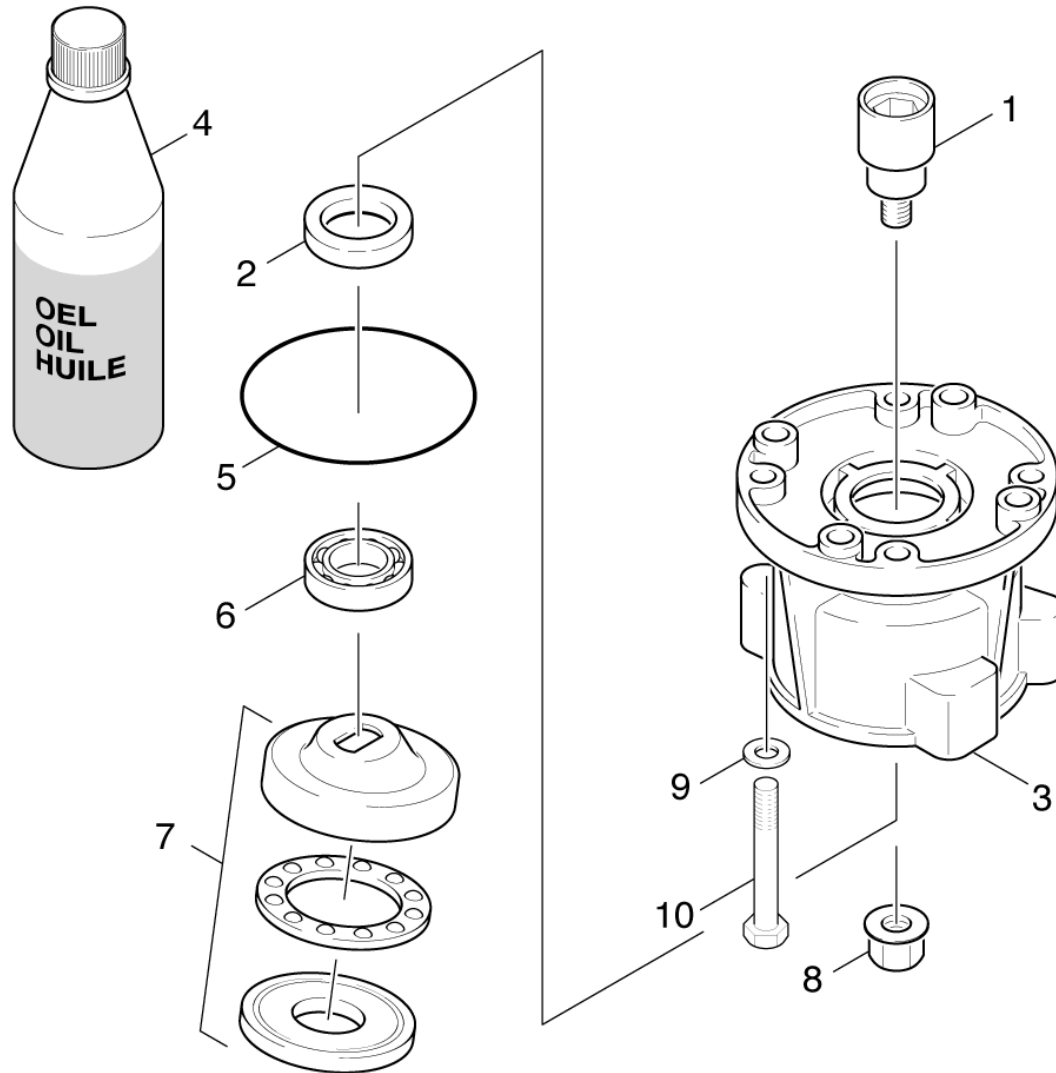
3.1 MOTOR



3.1 MOTOR

| POS | DESCRIPTION ADDITIONAL INFORMATIONS | PART NO | QTY. | FROM SER.NR. | UP TO SER. NR. |
|-----|--|----------|------|--------------|----------------|
| 1 | Spark plug wire assembly | 91948880 | 1 | | |
| 2 | Spark plug | 91948960 | 1 | | |
| 3 | Oil fill plug with dipstick | 91948970 | 1 | | |
| 4 | Pull cord handle | 91948900 | 1 | | |
| 5 | Pull cord assembly | 91948980 | 1 | | |
| 6 | Fuel fill cap | 91948990 | 1 | | |
| 7 | Air filter cover | 91949000 | 1 | | |
| 8 | Air filter | 91949010 | 1 | | |
| 9 | 5/16-18 NE NYLON INSERT L/N ZC 5UM | 91970020 | 3 | | |
| 10 | Stockpiling discontinued | 77779990 | 6 | | |
| 11 | 5/16-18 X 1-1/2 GR 5 HHCS ZINC | 91860100 | 3 | | |
| 12 | Muffler Guard | 91949020 | 1 | | |

3.2 ACTUATION



3.2 ACTUATION

| POS | DESCRIPTION ADDITIONAL INFORMATIONS | PART NO | QTY. | FROM SER.NR. | UP TO SER. NR. |
|-----|--|----------|------|--------------|----------------|
| 1 | DRIVE BOLT 7/16" -20UNF-2B | 91522520 | 1 | | |
| 2 | Radial shaft seal ring A26x37x7 -NBR DI | 73670180 | 1 | | |
| 3 | HOUSING VERTIKAL | 50931990 | 1 | | |
| 4 | OIL 1 LITRE | 62880500 | 1 | | |
| 5 | O RING 80 X 3 | 63624710 | 1 | | |
| 6 | AXIAL BALL BEARING | 90870100 | 1 | | |
| 7 | SWASH PLATE | 64012910 | 1 | | |
| 8 | NUT | 90863030 | 1 | | |
| 10 | SOCKET HEAD SCREW,5/16"-24 x1.25" | 91960210 | 4 | | |

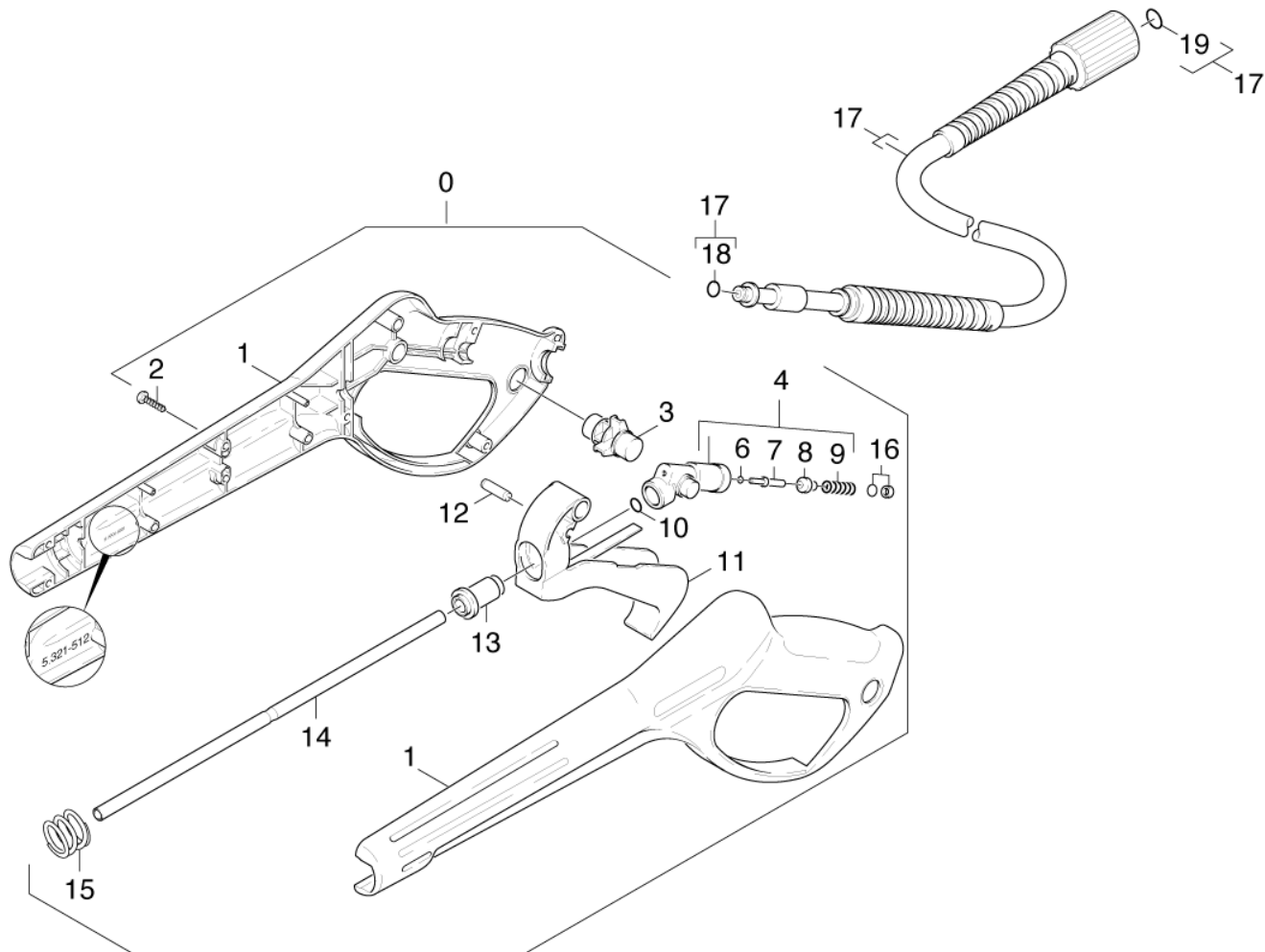
4.0 ACCESSORIES

4.1 TRIGGER GUN

4.2 JET PIPE



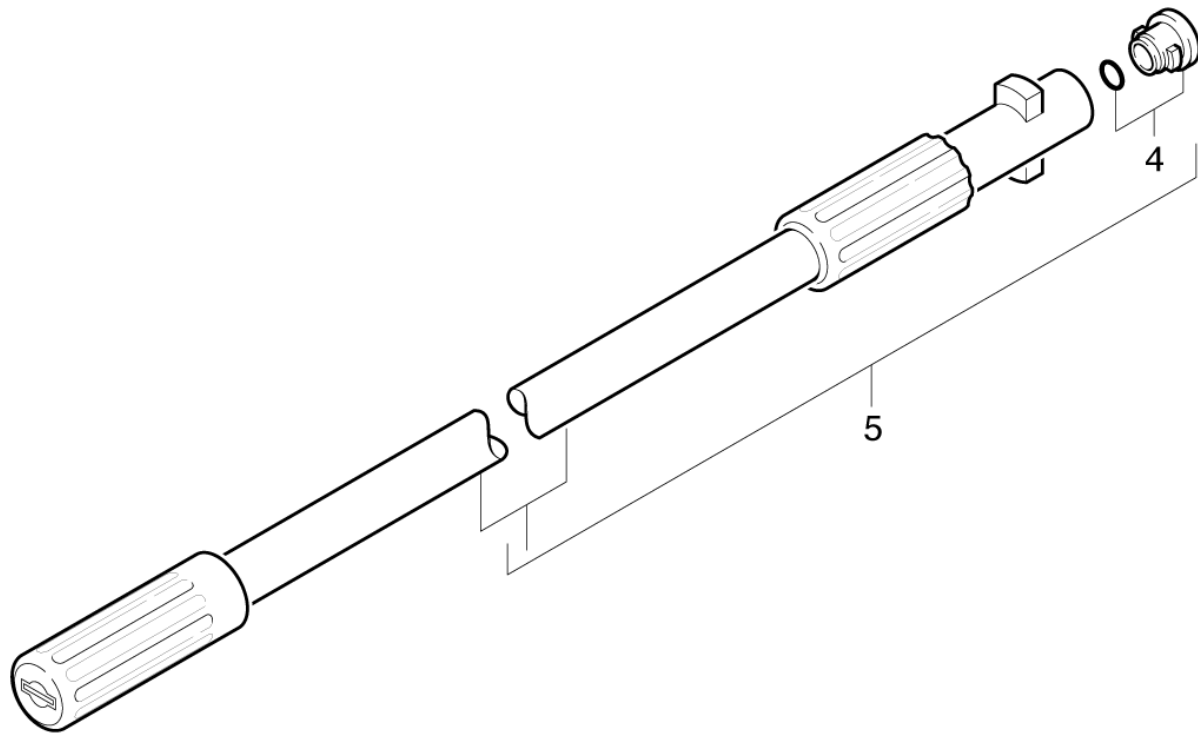
4.1 TRIGGER GUN



4.1 TRIGGER GUN

| POS | DESCRIPTION ADDITIONAL INFORMATIONS | PART NO | QTY. | FROM SER.NR. | UP TO SER. NR. |
|-----|---|----------|------|--------------|----------------|
| 0 | TRIGGER GUN | 47752640 | 1 | | |
| 1 | HANDLES | 53215120 | 1 | | |
| 2 | M4 .2X13 DIN 7981 TORX T15 PAN HD HI/LO | 63031220 | 9 | | |
| 3 | LEVER | 54811890 | 1 | | |
| 4 | MANIFOLDS | 44271780 | 1 | | |
| 6 | O RING | 73625020 | 1 | | |
| 7 | BAR | 51071470 | 1 | | |
| 8 | VALVE PLATE | 55820580 | 1 | | |
| 9 | COIL SPRING | 53321570 | 1 | | |
| 10 | O-RING 7,59X2,62 | 63624790 | 1 | | |
| 11 | LEVER | 44811050 | 1 | | |
| 12 | PIN | 53140820 | 1 | | |
| 13 | SLEEVE | 51105390 | 1 | | |
| 14 | PIPE | 50289050 | 1 | | |
| 15 | Pressure spring | 53323490 | 1 | | |
| 16 | GASKET | 63631980 | 1 | | |
| 17 | High pressure hose 9m/16MPa, Kaer., 60G | 44406070 | 1 | | |
| 18 | GASKET | 63631150 | 1 | | |
| 19 | O RING SET HD 555 | 28801540 | 1 | | |

4.2 JET PIPE

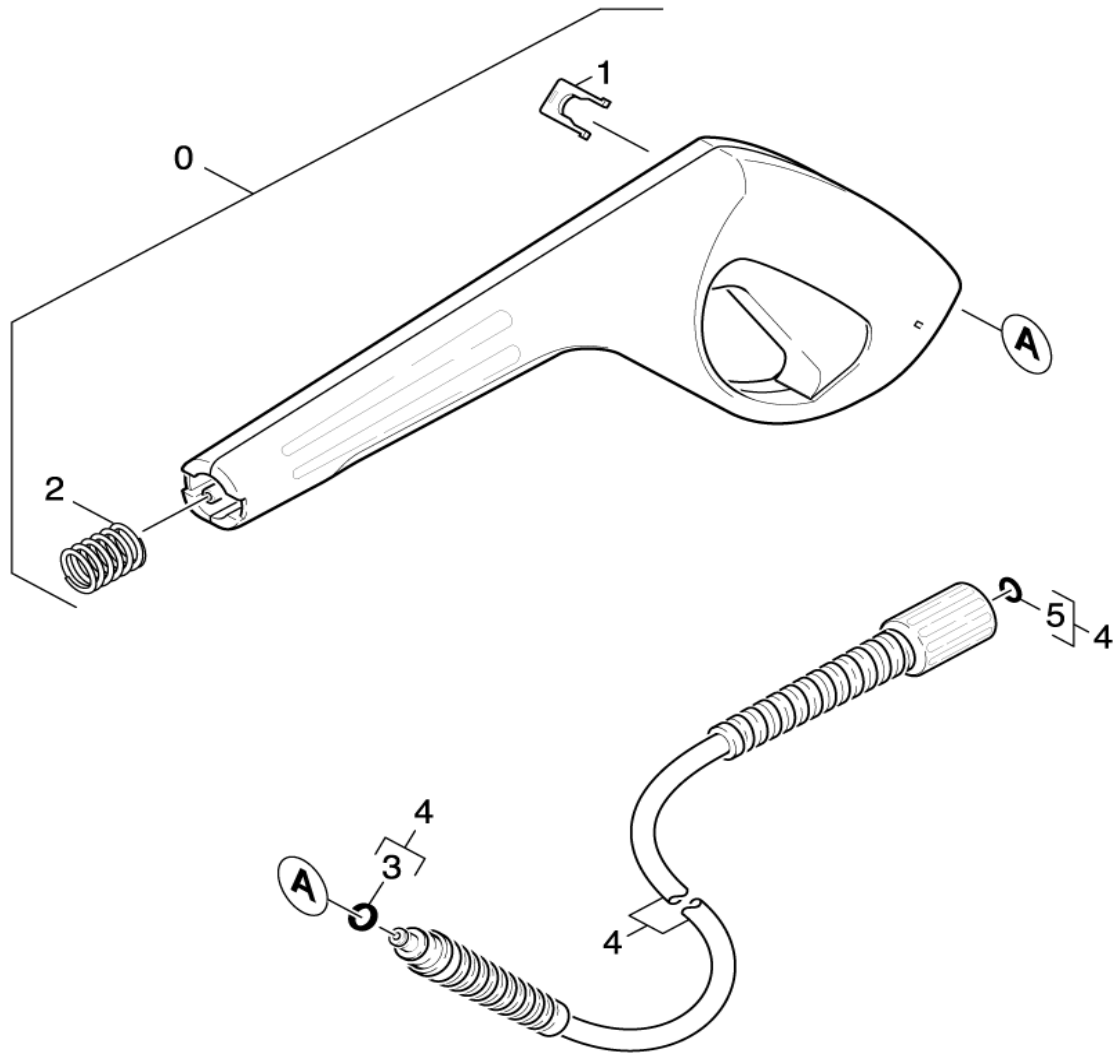


4.2 JET PIPE

| POS | DESCRIPTION ADDITIONAL INFORMATIONS | PART NO | QTY. | FROM SER.NR. | UP TO SER. NR. |
|-----|--|----------|------|--------------|----------------|
| 4 | O-Ring seal set | 26407290 | 1 | | |
| 5 | JET PIPE | 47602410 | 1 | | |

4.3 Trigger Gun

updated 1 October 2009



4.3 Trigger Gun

updated 1 October 2009

| POS | DESCRIPTION ADDITIONAL INFORMATION | PART NO | QTY. | FROM SER. NR. | UP TO SER. NR. |
|-----|---|-------------|------|---------------|----------------|
| 0 | Trigger Gun | 2.641-202.0 | 1 | | |
| 1 | Clip | 5.037-464.0 | 1 | | |
| 2 | Pressure Spring | 5.322-464.0 | 1 | | |
| 3 | O-Ring Seal (red) 6.0x2.0 | 6.363-198.0 | 1 | | |
| 4 | High Pressure Hose | 6.390-871.0 | 1 | | |
| 5 | O-Ring Kit (5-Pack) | 2.880-296.0 | 1 | | |