

**Spare parts list**  
**(5.972-318.0) Spare parts list FRV 30 ME**

Table of contents

---

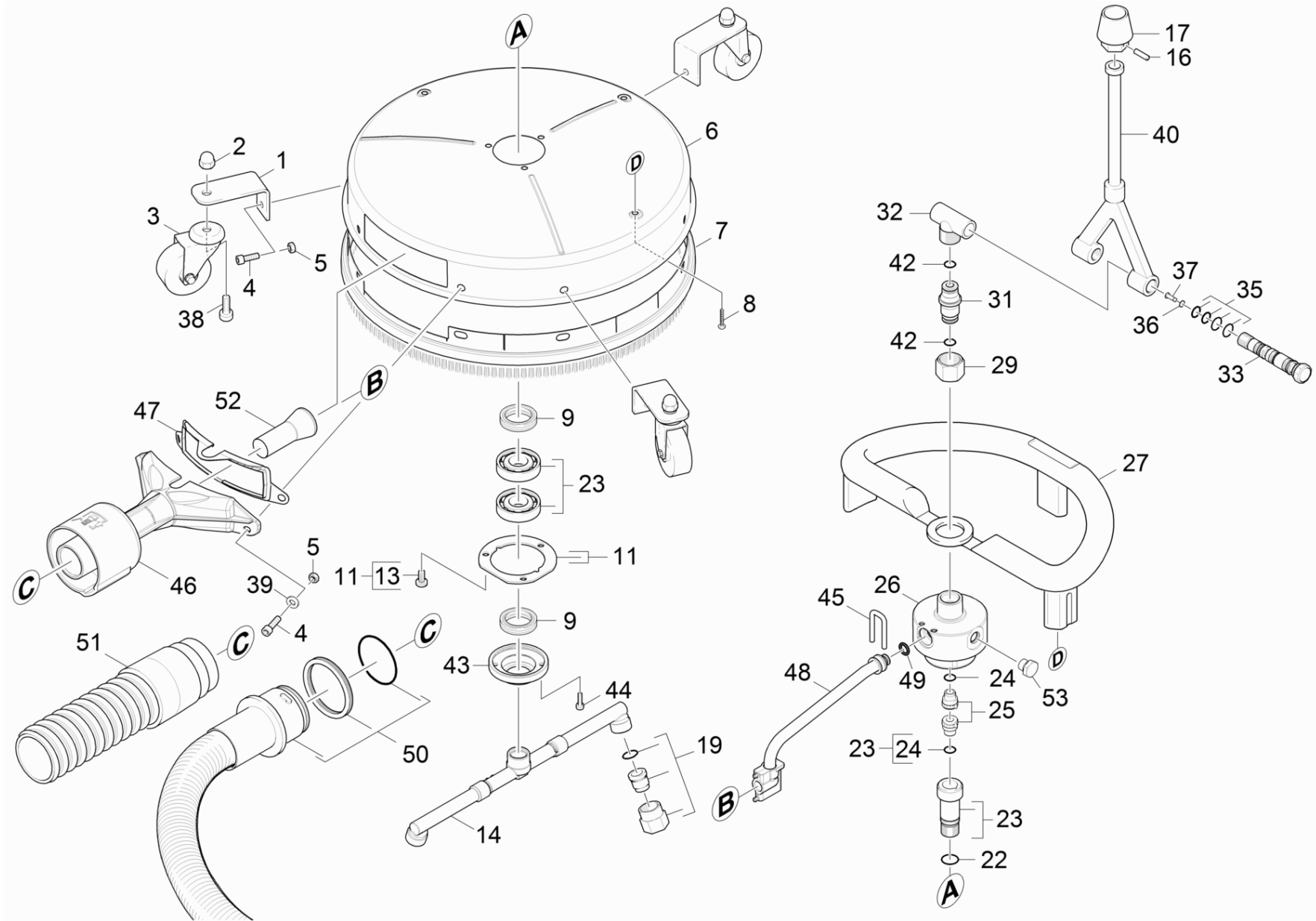
<b>Spare parts list FRV 30 ME (5.972-318.0)</b> .....	6
10 Surface cleaner.....	7

Spare parts list FRV 30 ME (5.972-318.0)

---

Pos	Name	Qty.	Unit
10	Surface cleaner	1.000	ST

---



10 Surface cleaner

ET/VT (spare/wear parts)	Pos	Material #	Name	Qty.	Unit	from ser.nr.	up to ser.nr.
X	1	5.058-584.0	Holder	3.000	ST	0000000000	0000000000
	2	7.311-402.0	Cap nut M10-A1-50 DIN 1587	3.000	ST	0000000000	0000000000
	3	6.435-694.0	Castor	3.000	ST	0000000000	0000000000
X-X	4	7.306-192.0	Screw M 6x 12-A2-70 (In6Rd)	7.000	ST	0000000000	0000000000
X-X	5	7.311-422.0	Hexagon nut M 6-1.4305 ISO 10511	7.000	ST	0000000000	0000000000
	6	5.033-872.0	Cover ME	1.000	ST	0000000000	0000000000
X	7	6.371-293.0	Brush-corona FRV 30 Me	1.000	ST	0000000000	0000000000
X	8	7.303-117.0	Screw 4x20 -A2-70 (In6Rd)	3.000	ST	0000000000	0000000000
X-X	9	7.367-000.0	Radial shaft seal ring A20x30x7-NBR DIN	2.000	ST	0000000000	0000000000
X-X	10	6.362-475.0	O-Ring seal 44,17X 1,78-NBR 70	1.000	ST		
	11		Spare part set flange	1.000	ST	0000000000	0000000000
	13	7.306-180.0	Screw M5x10-A2-70 (In6Rd)	3.000	ST	0000000000	0000000000
	14	4.764-273.0	Nozzle holder	1.000	ST	0000000000	0000000000
	16	6.343-150.0	Pin 03	1.000	ST	0000000000	0000000000
	17	5.394-530.0	Protection part complete	1.000	ST	0000000000	0000000000
	19	2.642-433.0	Nozzle pack 050	1.000	ST	0000000000	0000000000
	19	2.642-430.0	Nozzle pack 035	1.000	ST	0000000000	0000000000
	19	2.642-431.0	Nozzle pack 040	1.000	ST	0000000000	0000000000
	19	2.642-432.0	Nozzle pack 045	1.000	ST	0000000000	0000000000
	19	2.642-982.0	Nozzle pack 080	1.000	ST	0000000000	0000000000
X-X	22	6.363-492.0	O-Ring seal 8,0x1,5	1.000	ST	0000000000	0000000000
X-X	23	4.250-078.0	Bearing complete	1.000	ST	0000000000	0000000000
X-X	24	6.362-658.0	O-Ring seal 7 X 1,5-NBR 90	2.000	ST	0000000000	0000000000
X-X	25	5.111-322.0	Sleeve	2.000	ST	0000000000	0000000000
	26	5.108-306.0	Turned part	1.000	ST	0000000000	0000000000

10 Surface cleaner

ET/VT (spare/wear parts)	Pos	Material #	Name	Qty.	Unit	from ser.nr.	up to ser.nr.
	27	5.321-716.0	Handhold	1.000	ST	0000000000	0000000000
	29	7.383-004.0	Union nut B1 LL15 -Ms DIN3870	1.000	ST	0000000000	0000000000
	31	5.424-161.0	Sealing cone	1.000	ST	0000000000	0000000000
	32	5.427-314.0	T-Piece	1.000	ST	0000000000	0000000000
	33	5.100-428.0	Shaft	1.000	ST	0000000000	0000000000
	35	2.883-982.0	Spare part set O-Ring seal	1.000	ST	0000000000	0000000000
	36	6.362-360.0	O-Ring seal 4,0 X 1,0-EPDM 77	1.000	ST		
	37	5.317-098.0	Bolt	1.000	ST	0000000000	0000000000
X-X	38	7.306-234.0	Cylinder head screw M10x20-A4-70 ISO 47	3.000	ST	0000000000	0000000000
X-X	39	7.312-026.0	Washer 6 -A2 ISO 7090	7.000	ST	0000000000	0000000000
	40	4.481-207.0	Joint	1.000	ST	0000000000	0000000000
X-X	42	2.880-154.0	O-Ring kit	1.000	ST	0000000000	0000000000
	43	5.122-443.0	Flange	1.000	ST	0000000000	0000000000
	44	7.306-204.0	Screw M 3X 10-A2-70 (IN6RD)	4.000	ST	0000000000	0000000000
	45	5.037-109.0	HOOK	1.000	ST		
	46	5.033-873.0	Moulded part diffusor	1.000	ST		
	47		Seal	1.000	ST		
	48	4.427-358.0	Manifold complete	1.000	ST		
X-X	49	6.362-383.0	O-Ring seal 6,0 X 2,0	1.000	ST		
	50	4.441-019.0	Suction hose FRV 30 me	1.000	ST		
	51	4.441-040.0	Suction hose FRV 30 me	1.000	ST		
	52	5.111-376.0	Sleeve FRV	1.000	ST		
X-X	53	5.411-070.0	Screw plug	1.000	ST		