

Deutsch	3
English	8
Français	13
Italiano	18
Nederlands	23
Español	28
Português	33
Dansk	38
Norsk	43
Svenska	48
Suomi	53
Ελληνικά	58
Türkçe	63
Русский	68
Magyar	73
Čeština	78
Slovenščina	83
Polski	88
Românește	93
Slovenčina	98
Hrvatski	103
Srpski	108
Български	113
Eesti	118
Latviešu	123
Lietuviškai	128
Українська	133

Register and win!  
[www.kärcher.com](http://www.kärcher.com)





Please read and comply with these original instructions prior to the initial operation of your appliance and store them for later use or subsequent owners.

## Contents

Safety instructions . . . . .	EN . . . 1
Use as intended . . . . .	EN . . . 2
Environmental protection . .	EN . . . 2
Nozzles packet . . . . .	EN . . . 2
Floor cleaning . . . . .	EN . . . 3
Wall cleaning . . . . .	EN . . . 4
Shutting down . . . . .	EN . . . 4
Care . . . . .	EN . . . 4
Accessories . . . . .	EN . . . 5
Troubleshooting . . . . .	EN . . . 5
Technical specifications . . .	EN . . . 5

## Safety instructions

### **⚠ Danger!**

*Risk of injury due to defective appliance. Check the faultless condition of the appliance before using it. The appliance is not fit for use if it is not in a faultless condition. The appliance may not be modified.*

### **⚠ Danger**

*High pressure jets can be dangerous if improperly used. The jet must not be directed at persons, animals, live electrical equipment or at the appliance itself.*

*Health hazard. Wear appropriate protective clothing when cleaning surfaces contaminated with hazardous substances.*

### **⚠ Warning**

*Risk of injury due to high-pressure water jet.*

*When working with hot water: Risk of burns due to hot surfaces and risk of scalding! Wear protective gloves and safety goggles when working with the surface cleaner.*

*Risk of hearing impairment while working on noise-making parts! If so, wear ear plugs.*

*Risk of slipping due to residual water. Wear slip-resistant shoes. Remove residual water when cleaning is completed.*

*Please observe the safety instructions of your high pressure cleaner.*

### **⚠ Danger**





*Long hours of using the appliance can cause circulation problems in the hands on account of vibrations.*

It is not possible to specify a generally valid operation time, since this depends on several factors:

- Proneness to blood circulation deficiencies (cold, numb fingers).
- Low ambient temperature. Wear warm gloves to protect hands.
- A firm grip impedes blood circulation.
- Continuous operation is worse than an operation interrupted by pauses.

In case of regular, long-term operation of the device and in case of repeated occurrence of the symptoms (e.g. cold, numb fingers) please consult a physician.

## Symbols on the machine

 	<p><b>⚠ Warning</b>  <i>Risk of injury due to rotation arm. Never reach underneath the appliance while the high-pressure cleaner is running.</i>  <i>The rotation arm continues to rotate for a while after the high-pressure cleaner has been switched off. Wait for the rotation arm to stop before starting any work on the appliance.</i></p>
	<p>For operation with hot water:  <b>⚠ Warning</b>  <i>Risk of burns!</i>  <i>Do not touch hot surfaces!</i></p>
	<p>Before first use of the patio and wall cleaner read these instructions and act in accordance with them.</p>

## Use as intended

The floor cleaner, in combination with a high pressure cleaner, is suitable for cleaning floors and walls.

Maximum water pressure 25 MPa (250 bar).

Maximum water temperature 85 °C.

The wastewater is drained off via a hose.

## Environmental protection



The packaging material can be recycled. Please do not place the packaging into the ordinary refuse for disposal, but arrange for the proper recycling.



Old appliances contain valuable materials that can be recycled. Please arrange for the proper recycling of old appliances. Please dispose your old appliances using appropriate collection systems.

### Notes about the ingredients (REACH)

You will find current information about the ingredients at:

[www.kaercher.com/REACH](http://www.kaercher.com/REACH)

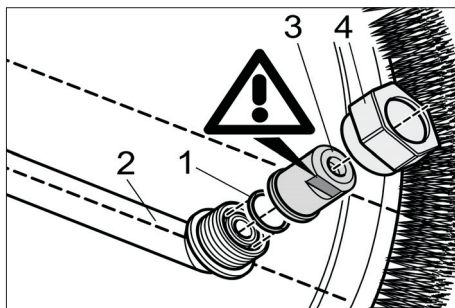
## Nozzles packet

### Note

The required packets of nozzles have been adjusted to suit the corresponding high pressure cleaners and must therefore be ordered separately.

Nozzle size of the high-pressure cleaner:	Nozzle packet
034...035	2.642-430.0
036...040	2.642-431.0
041...045	2.642-432.0
046...050	2.642-433.0
051...080	2.642-982.0

## Assemble nozzle packet

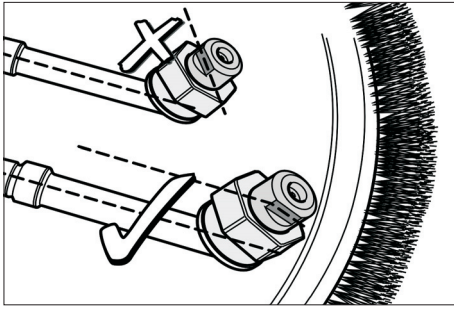


- 1 O ring
- 2 Rotation arm
- 3 Nozzle
- 4 Union joint

- ➔ Insert the O ring in the nut of the rotation arm.
- ➔ Place the nozzle on it.
- ➔ Slightly fasten the nozzle with the Union joint.

### Note

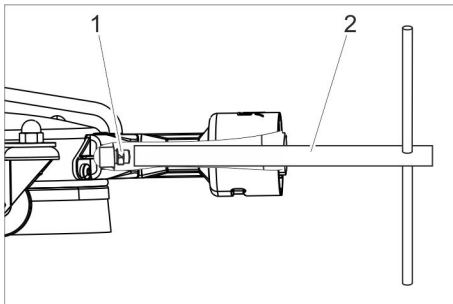
The exit jet must be directed parallel to the rotation arm.



- Adjust the wrench area of the nozzle (width 10) so that it is parallel to the rotation arm.
- Tighten the Union joint (width 22) using a wrench.
- Repeat the process on the second rotation arm.

**Note:**

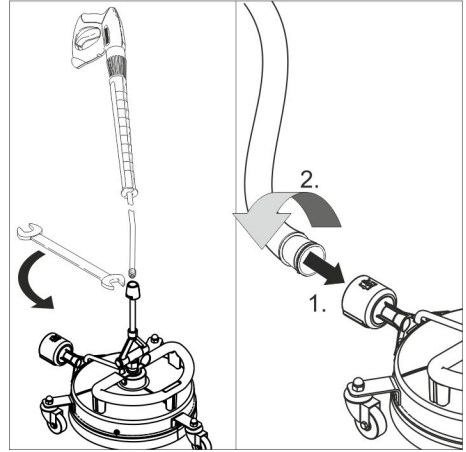
Do not attach the nozzles for the surface cleaner to the spray lance of the high-pressure cleaner.



- 1 Injector nozzle
- 2 Wrench

- Screw the injector nozzle into the injector using the wrench and tighten it finger-tight (8 Nm).  
The wrench is included with the nozzle set.

## Floor cleaning



- Connect the steel pipe of the high pressure cleaner to the surface cleaner and tighten it with a wrench (opening width 24).

**Caution**

*A strong wastewater jet will emerge from the hose connection. Do not use the surface cleaner without a hose.*

- Grease the O-ring at the end of the hose using the accompanying grease prior to installation.
- Insert the accompanying hose at the hose connection of the surface cleaner and secure it by turning.
- Route the other end of the hose to a drain and secure it by means of the accompanying hook-and-loop tape.

**Note:**

If possible, lay hose without any slopes.

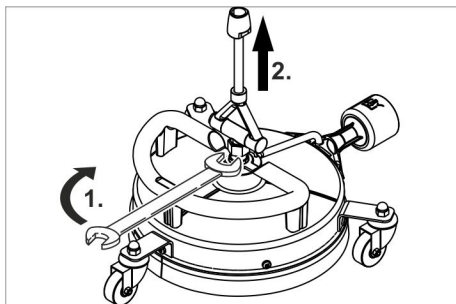
Maximum delivery height of the waste water is 1 m.

The free end of the hose can be attached by means of the included Velcro tape (e.g. on a drain grid).

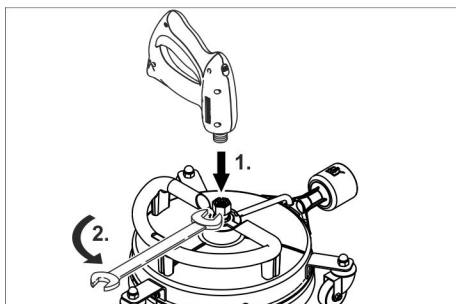
If necessary, use extension hose (see "Accessories").

- Hold the hand spray gun and the spray pipe firmly with both hands.
- Guide the surface cleaner so that it remains close to the surface to be cleaned.

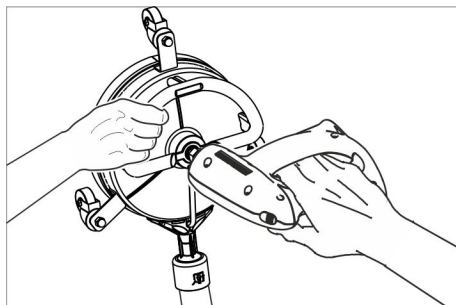
## Wall cleaning



- Unscrew the covering nut.
- Remove joint.



- Attach hand spray gun.
- Tighten the union nut.



## Caution

A strong wastewater jet will emerge from the hose connection. Do not use the surface cleaner without a hose.

- Insert the hose into the hose connection and secure by rotating.
- Route the other end of the hose to a drain.
- Hold the appliance at the handle while cleaning the wall.
- Guide the surface cleaner so that it remains close to the surface to be cleaned.

## Shutting down

- After operation with hot water, operate the surface cleaner with cold water for two minutes to cool it down.
- If necessary, rinse the surface cleaner and the suction hose with clear water.

## Care

- Protect the appliance against frost.
- Do not allow bristles to deform during storage.

**Note:** In order to ensure a good suction result, please do not place the surface cleaner FRV 30 onto the bristle crown after use. To protect the brush bar from damages, you can also remove it while storing the FRV 30.

- Rinse the steering rollers with clear water after use and spray with creeping oil after they have dried.

## Accessories

Accessories	Order number
Hose fastener (suction cup to install on smooth surfaces)	2.642-528.0
Dirt catcher (coarse dirt separator)	2.642-532.0
Hose support (wall mount)	2.042-001.0
Brush crown	6.371-293.0
Extension hose	4.441-040.0

## Troubleshooting

**Rotation arm does not rotate:**

→ Check if the cleaning nozzles are dirty.

**Vacuum performance decreasing:**

- Bristle crown worn - replace bristle crown.
- Suction channel/suction hose blocked - clean suction channel and suction hose.
- Injector nozzle blocked - clean the injector nozzle.

## Technical specifications

**Values determined as per EN 60355-2-79**

Vibration total value on arms	m/s <sup>2</sup>	3,6
Uncertainty K	m/s <sup>2</sup>	0,4