

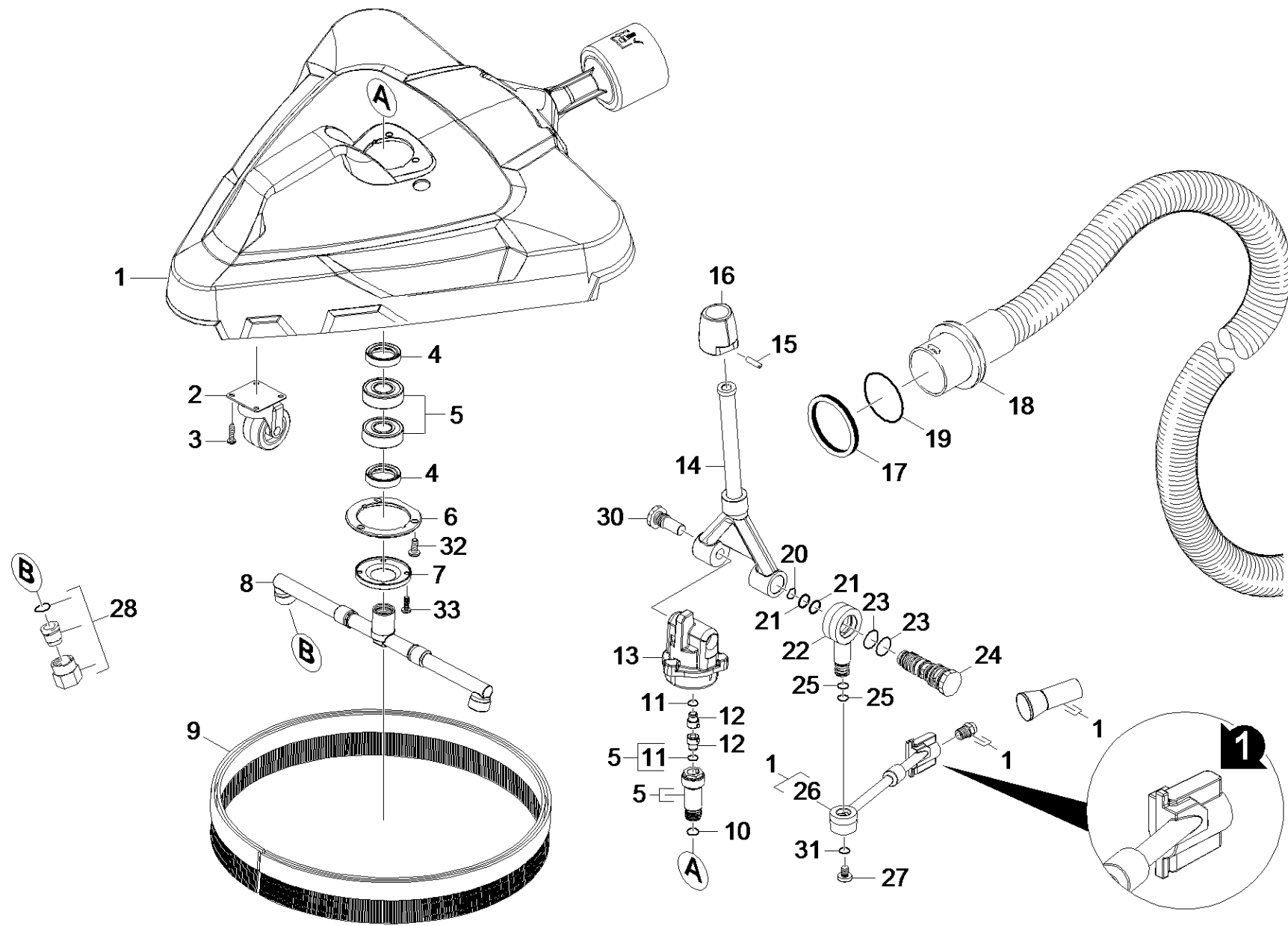
Spare parts list
(5.972-035.0) Spare parts list Venturion FRV 30

Table of contents

Spare parts list Venturion FRV 30 (5.972-035.0)	6
10 Surface cleaner.....	7
20 Surface cleaner.....	10

Spare parts list Venturion FRV 30 (5.972-035.0)

Pos	Name	Qty.	Unit	Footnote text
10	Surface cleaner	1.000	ST	VERSION 1
20	Surface cleaner	1.000	ST	VERSION 2

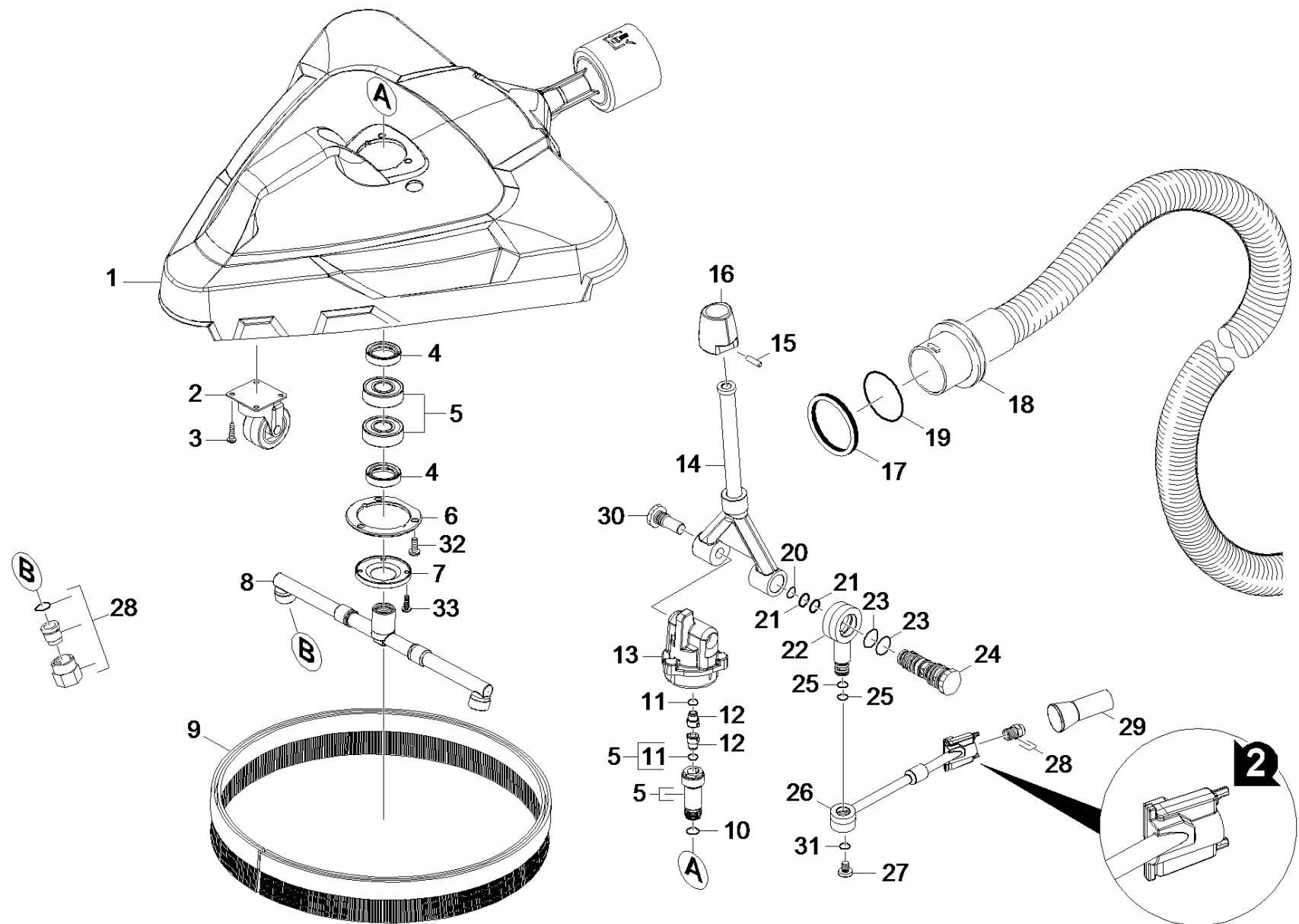


10 Surface cleaner

ET/VT (spare/wear parts)	Pos	Material #	Name	Qty.	Unit
	1	2.885-373.0	Spare part set cover manifold	1.000	ST
	2	6.435-842.0	Castor	3.000	ST
X-X	3	7.303-274.0	Screw 5x12 -A2-70 (In6Rd)	12.000	ST
X-X	4	7.367-000.0	Radial shaft seal ring A20x30x7-NBR DIN	2.000	ST
X-X	5	4.250-078.0	Bearing complete	1.000	ST
	6	5.122-003.0	Flange	1.000	ST
X	7	5.122-443.0	Flange	1.000	ST
	8	4.764-205.0	Nozzle holder	1.000	ST
	9	6.371-203.0	Brush-corona FRV 30	1.000	ST
X	10	6.362-388.0	O-Ring seal 8,0x1,5 -EPDM 70	1.000	ST
X-X	11	6.362-658.0	O-Ring seal 7 X 1,5-NBR 90	2.000	ST
X-X	12	5.111-322.0	Sleeve	2.000	ST
	13	5.481-405.0	Base body FR 30	1.000	ST
	14	4.802-032.0	Angle joint FR 30	1.000	ST
	15	6.343-150.0	Pin 03	1.000	ST
	16	5.394-530.0	Protection part complete	1.000	ST
X	17	6.273-009.0	Joint ring EPDM	1.000	ST
	18	4.440-938.0	FRV 30 suction hose DN 32	1.000	ST
	19	6.362-979.0	O-Ring 50x2,2 NBR 70	1.000	ST
	20	6.363-142.0	O-Ring seal 10x1,5N BR 90	1.000	ST
X-X	21	6.363-280.0	O-Ring seal 12,0 x 2,0-NBR 90	2.000	ST
	22	5.427-444.0	Manifold	1.000	ST
X-X	23	6.362-524.0	O-Ring seal 17,0 X 1,5	2.000	ST
	24	5.100-624.0	Shaft	1.000	ST
X-X	25	6.419-059.0	O-Ring seal 9,0 X 1,5 -NBR 70	2.000	ST

10 Surface cleaner

ET/VT (spare/wear parts)	Pos	Material #	Name	Qty.	Unit
	26	2.885-373.0	Spare part set cover manifold	1.000	ST
	27	7.306-190.0	Screw M6x8 -A2-70 (In6Rd)	1.000	ST
	28	2.642-431.0	Nozzle pack 040	1.000	ST
	28	2.642-430.0	Nozzle pack 035	1.000	ST
	28	2.642-432.0	Nozzle pack 045	1.000	ST
	28	2.642-433.0	Nozzle pack 050	1.000	ST
	28	2.642-982.0	Nozzle pack 080	1.000	ST
	30	5.100-501.0	Shaft	1.000	ST
X-X	31	6.362-703.0	O-Ring seal 6,0x1,5-NBR 70	1.000	ST
X-X	32	7.306-181.0	Screw M 5x 12-A2-70 (In6Rd)	3.000	ST
	33	7.306-204.0	Screw M 3X 10-A2-70 (IN6RD)	4.000	ST



20 Surface cleaner

ET/VT (spare/wear parts)	Pos	Material #	Name	Qty.	Unit
	1	5.062-448.0	Cover FRV 30	1.000	ST
	2	6.435-842.0	Castor	3.000	ST
X-X	3	7.303-274.0	Screw 5x12 -A2-70 (In6Rd)	12.000	ST
X-X	4	7.367-000.0	Radial shaft seal ring A20x30x7-NBR DIN	2.000	ST
X-X	5	4.250-078.0	Bearing complete	1.000	ST
	6	5.122-003.0	Flange	1.000	ST
X	7	5.122-443.0	Flange	1.000	ST
	8	4.764-205.0	Nozzle holder	1.000	ST
	9	6.371-203.0	Brush-corona FRV 30	1.000	ST
X	10	6.362-388.0	O-Ring seal 8,0x1,5 -EPDM 70	1.000	ST
X-X	11	6.362-658.0	O-Ring seal 7 X 1,5-NBR 90	2.000	ST
X-X	12	5.111-322.0	Sleeve	2.000	ST
	13	5.481-405.0	Base body FR 30	1.000	ST
	14	4.802-032.0	Angle joint FR 30	1.000	ST
	15	6.343-150.0	Pin 03	1.000	ST
	16	5.394-530.0	Protection part complete	1.000	ST
X	17	6.273-009.0	Joint ring EPDM	1.000	ST
	18	4.440-938.0	FRV 30 suction hose DN 32	1.000	ST
	19	6.362-979.0	O-Ring 50x2,2 NBR 70	1.000	ST
	20	6.363-142.0	O-Ring seal 10x1,5N BR 90	1.000	ST
X-X	21	6.363-280.0	O-Ring seal 12,0 x 2,0-NBR 90	2.000	ST
	22	4.427-364.0	Manifold complete	1.000	ST
X-X	23	6.362-524.0	O-Ring seal 17,0 X 1,5	2.000	ST
	24	5.100-624.0	Shaft	1.000	ST
X-X	25	6.419-059.0	O-Ring seal 9,0 X 1,5 -NBR 70	2.000	ST

20 Surface cleaner

ET/VT (spare/wear parts)	Pos	Material #	Name	Qty.	Unit
	26	4.427-364.0	Manifold complete	1.000	ST
	27	7.306-190.0	Screw M6x8 -A2-70 (In6Rd)	1.000	ST
	28	2.642-432.0	Nozzle pack 045	1.000	ST
	28	2.642-431.0	Nozzle pack 040	1.000	ST
	28	2.642-430.0	Nozzle pack 035	1.000	ST
	28	2.642-433.0	Nozzle pack 050	1.000	ST
	28	2.642-982.0	Nozzle pack 080	1.000	ST
	29	5.111-376.0	Sleeve FRV	1.000	ST
	30	5.100-501.0	Shaft	1.000	ST
X-X	31	6.362-703.0	O-Ring seal 6,0x1,5-NBR 70	1.000	ST
X-X	32	7.306-181.0	Screw M 5x 12-A2-70 (In6Rd)	3.000	ST
	33	7.306-204.0	Screw M 3X 10-A2-70 (IN6RD)	4.000	ST