

Deutsch	3
English	7
Français	11
Italiano	15
Nederlands	19
Español	23
Português	27
Ελληνικά	31
Dansk	35
Norsk	39
Svenska	43
Suomi	47
Magyar	51
Čeština	55
Slovenščina	59
Polski	63
Românește	67
Türkçe	71
Русский	75
Slovenčina	79
Hrvatski	83
Српски	87
Български	91
Eesti	95
Lietuviškai	99
Latviešu	103
Українська	107

Register and win!
www.kärcher.com





Please read and comply with these original instructions prior to the initial operation of your appliance and store them for later use or subsequent owners.

Safety instructions

⚠ Danger!

Risk of injury due to defective appliance. Check the faultless condition of the appliance before using it. The appliance is not fit for use if it is not in a faultless condition. The appliance may not be modified.

⚠ Danger!

Risk of injury due to rotation arm. Never touch below the appliance when the high pressure cleaner is on.

The rotation arm continues to rotate for a while even after the high pressure cleaner has been switched off. Wait for the rotation arm to stop before starting any work on the appliance.

High-pressure jets can be dangerous if improperly used. The jet must not be directed at persons, animals, live electrical equipment or at the appliance itself.

Please observe the safety instructions of your high-pressure cleaner.

Use as intended

The floor cleaner, in combination with a high pressure cleaner, is suitable for cleaning floors and walls.

Maximum water pressure 25 MPa (250 bar).

Maximum water temperature 60°C.

The wastewater is drained off via a hose.

Environmental protection



The packaging material can be recycled. Please do not place the packaging into the ordinary refuse for disposal, but arrange for the proper recycling.



Old appliances contain valuable materials that can be recycled. Please arrange for the proper recycling of old appliances. Please dispose your old appliances using appropriate collection systems.

Notes about the ingredients (REACH)

You will find current information about the ingredients at:

www.kaercher.com/REACH

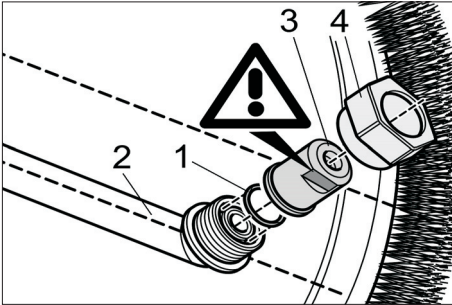
Nozzles packet

Note

The required packets of nozzles have been adjusted to suit the corresponding high pressure cleaners and must therefore be ordered separately.

Nozzle size of the high-pressure cleaner:	Nozzle packet
034...035	2.642-430.0
036...040	2.642-431.0
041...045	2.642-432.0
046...050	2.642-433.0
051...080	2.642-982.0

Assemble nozzle packet

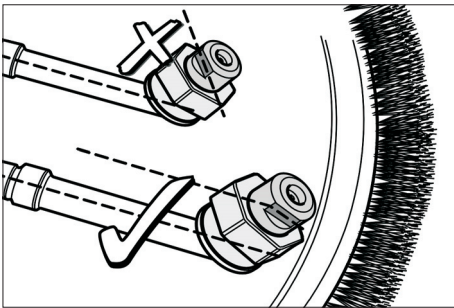


- 1 O ring
- 2 Rotation arm
- 3 Nozzle
- 4 Union joint

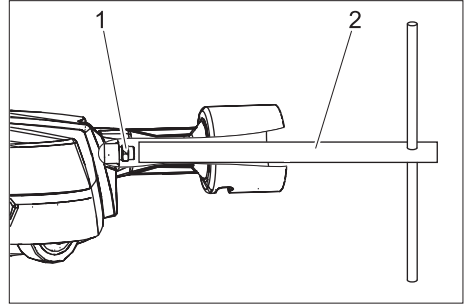
- Insert the O ring in the nut of the rotation arm.
- Place the nozzle on it.
- Slightly fasten the nozzle with the Union joint.

Note

The exit jet must be directed parallel to the rotation arm.



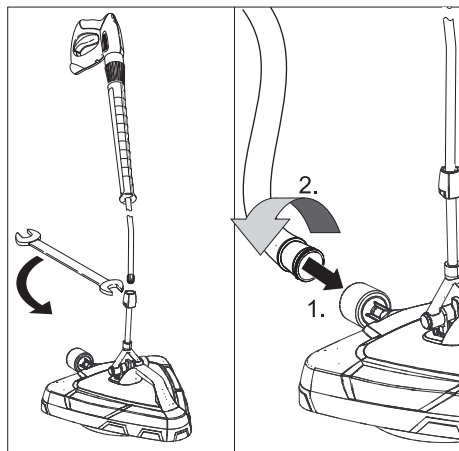
- Adjust the wrench area of the nozzle (width 10) so that it is parallel to the rotation arm.
- Tighten the Union joint (width 22) using a wrench.
- Repeat the process on the second rotation arm.



- 1 Injector nozzle
- 2 Wrench

- Screw the injector nozzle into the injector using the wrench and tighten it fingertight (8 Nm).
The wrench is included with the nozzle set.

Floor cleaning



- ➔ Connect the steel pipe of the high pressure cleaner to the surface cleaner and tighten it with a wrench (opening width 24).

Caution

A strong wastewater jet will emerge from the hose connection. Do not use the surface cleaner without a hose.

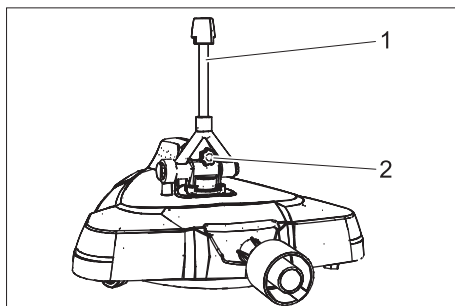
- ➔ Insert the hose into the hose connection and secure by rotating.
- ➔ Route the other end of the hose to a drain.

Note:

The free end of the hose can be attached by means of the included Velcro tape (e.g. on a drain grid).

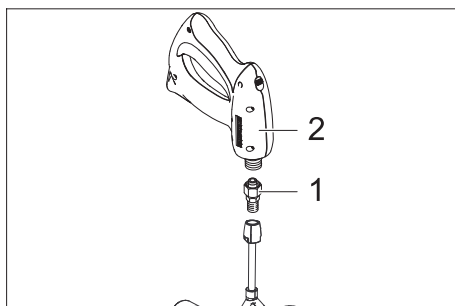
- ➔ Hold the hand spray gun and the spray pipe firmly with both hands.
- ➔ Guide the surface cleaner so that it remains close to the surface to be cleaned.

Wall cleaning



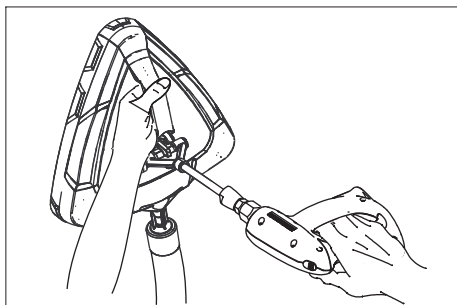
- 1 Connecting piece
- 2 Screw

- ➔ Place the connecting piece vertically.
- ➔ Turn in the enclosed screw in order to hold the joint firmly.



- 1 Adapter (order no.: 4.402-071.0)
- 2 Hand spraygun

- ➔ Screw the adapter to the connection and tighten it with a wrench (key width 22).
- ➔ Screw the hand spray gun on the adapter, align it and tighten it with a wrench (key width 27).



Caution

A strong wastewater jet will emerge from the hose connection. Do not use the surface cleaner without a hose.

- ➔ Insert the hose into the hose connection and secure by rotating.
- ➔ Route the other end of the hose to a drain.
- ➔ Hold the appliance at the handle while cleaning the wall.
- ➔ Guide the surface cleaner so that it remains close to the surface to be cleaned.

Care

- ➔ Protect the appliance against frost.
- ➔ Do not allow bristles to deform during storage.

Note: In order to ensure a good suction result, please do not place the surface cleaner FRV 30 onto the bristle crown after use. To protect the brush bar from damages, you can also remove it while storing the FRV 30.

- ➔ Rinse the steering rollers with clear water after use and spray with creeping oil after they have dried.

Accessories

Accessories	Order number
Rubber lip to increase the suction effect	2.642-910.0
Hose fastener (suction cup to install on smooth surfaces)	2.642-528.0
Dirt catcher (coarse dirt separator)	2.642-532.0
Hose support (wall mount)	2.042-001.0
Connection bushing (hose coupling to extend hose)	6.902-077.0
Brush crown	6.371-203.0
Extension hose	4.440-939.0

Troubleshooting

Rotation arm does not rotate:

- ➔ Check if the cleaning nozzles are dirty.

Vacuum performance decreasing:

- ➔ Bristle crown worn - replace bristle crown.
- ➔ Suction channel/suction hose blocked - clean suction channel and suction hose.
- ➔ Injector nozzle blocked - clean the injector nozzle.