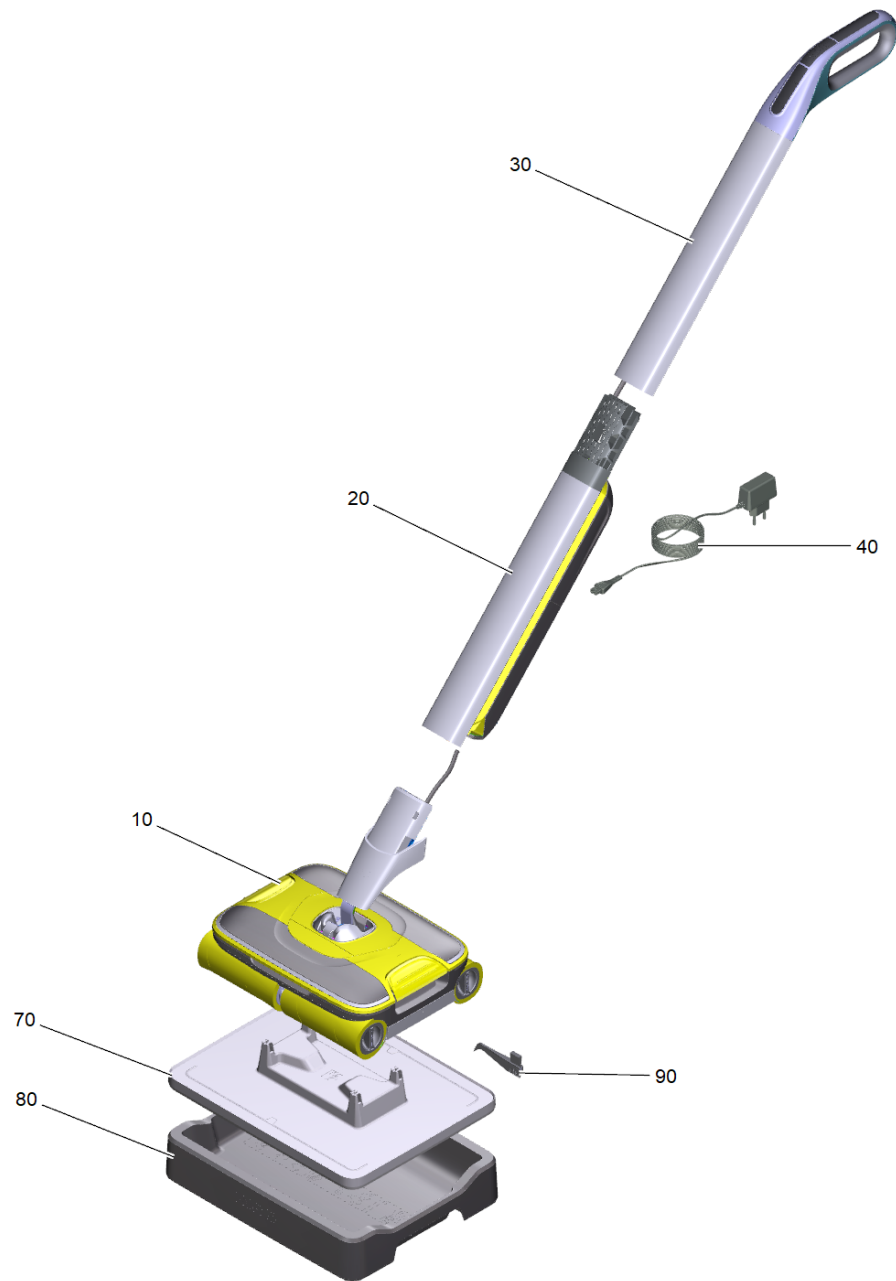


Spare parts list

(1.055-733.0) FC 7 Cordless *KNA

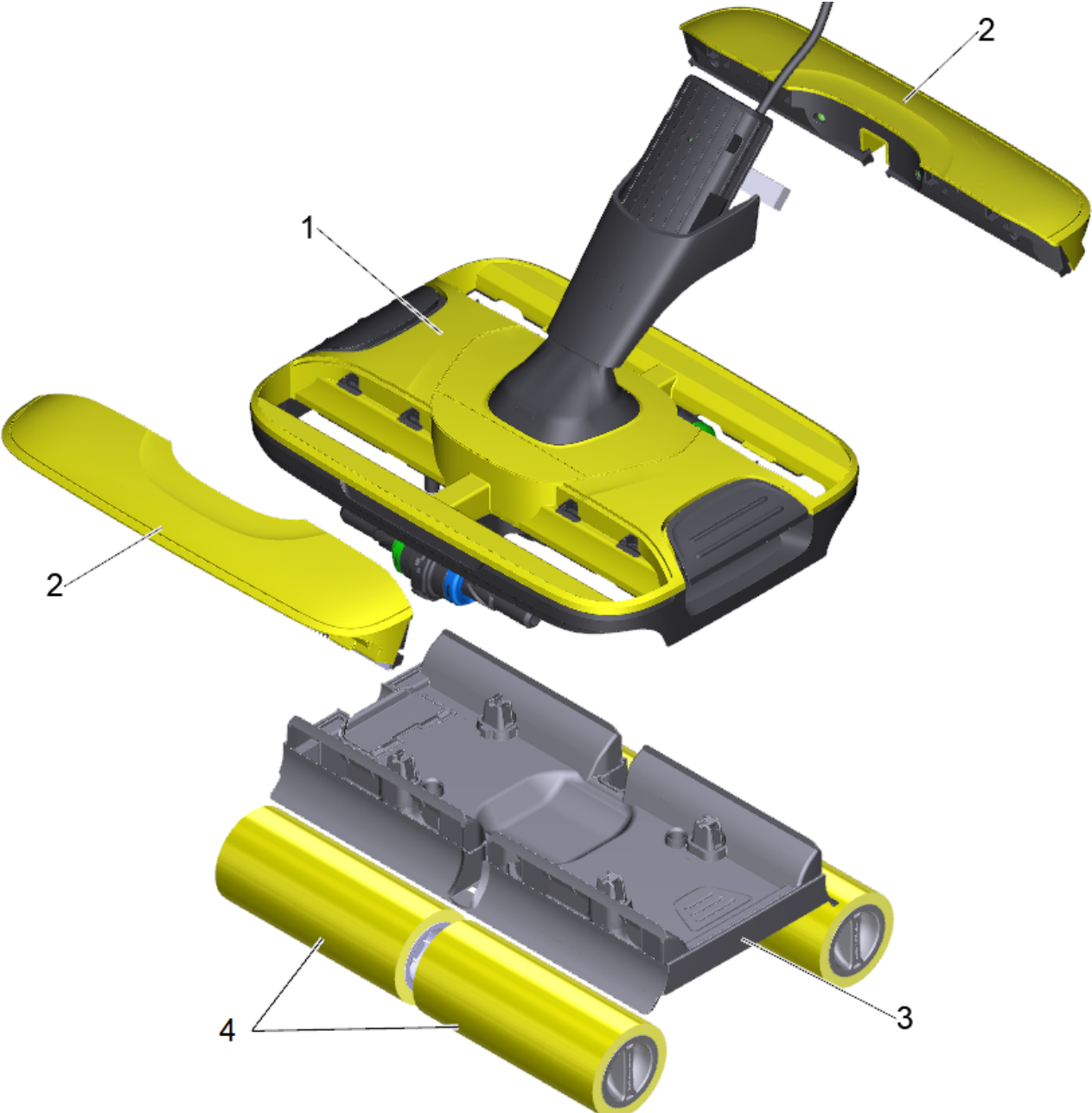
Table of contents

FC 7 Cordless *KNA (1.055-733.0)	3
10 Power brush complete FC 7	5
1 Power brush assembly FC 7	7
20 Basic unit FC 7 (EVE cell)	10
10 Filter complete for replacement (4.055-110.0)	12
12 Clean water tank complete FC 7	13
30 Handle complete	15
2 Hand grip handle for replacement (4.055-235.0)	17



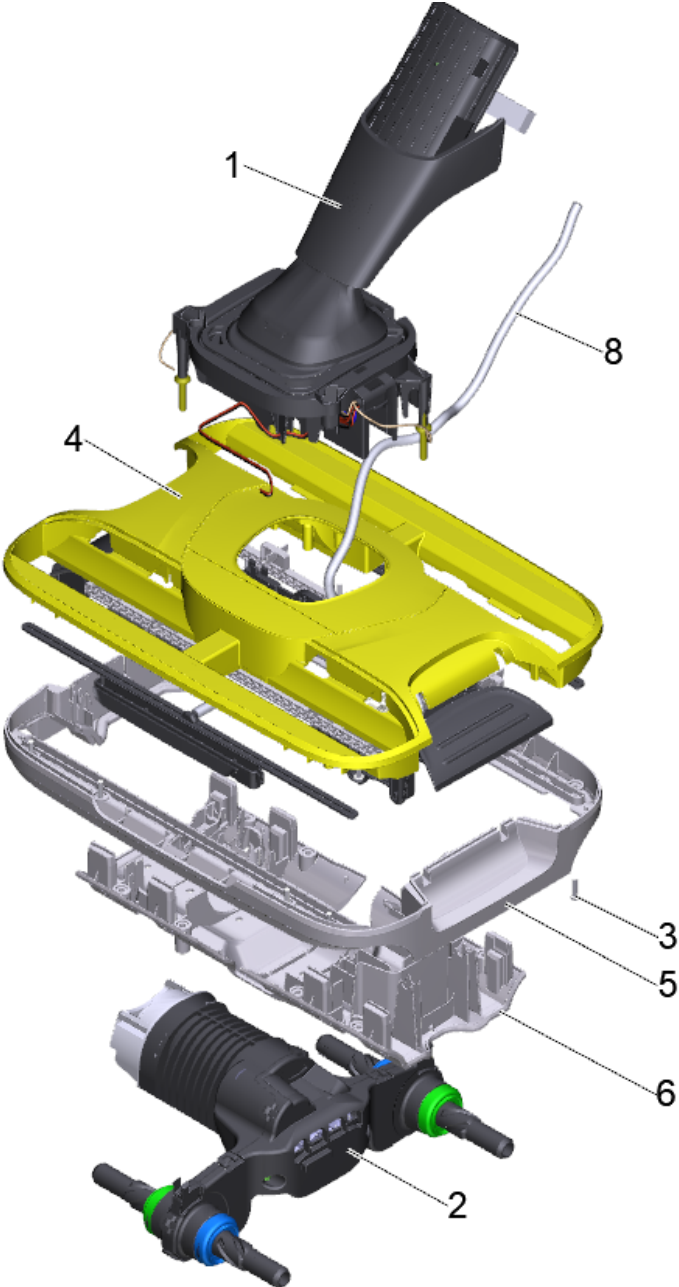
FC 7 Cordless *KNA (1.055-733.0)

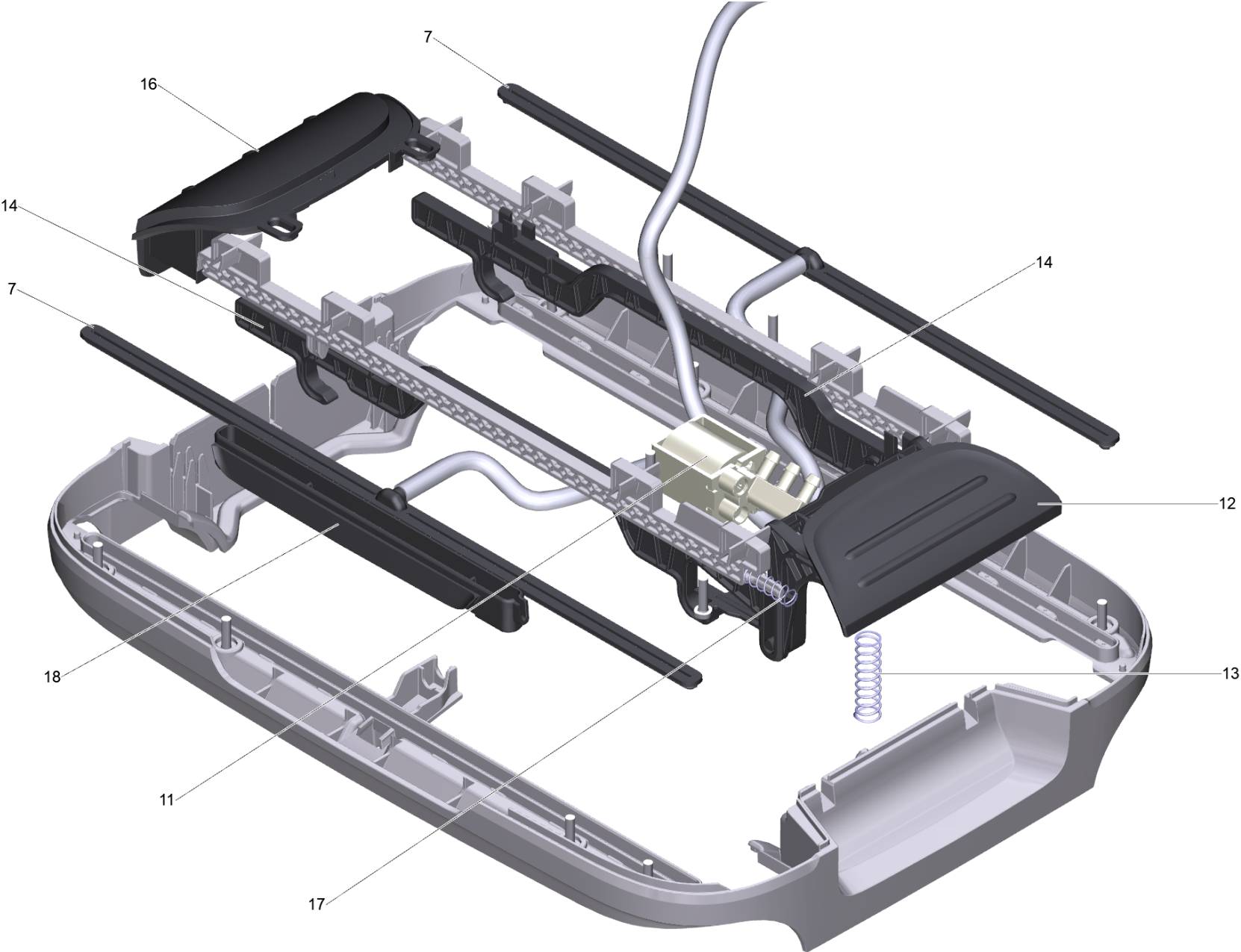
POS	Article no.	Description	Quantity	Unit
10		Power brush complete FC 7	1	PC
20		Basic unit FC 7 (EVE cell)	1	PC
30		Handle complete	1	PC
40	6.195-096.3	Power supply PS07 *KNA/*MX	1	PC
70	5.055-590.3	Parking station for replacement	1	PC
80	5.055-591.3	Cleaning station for replacement	1	PC
90	4.055-195.0	Comb complete	1	PC



10 Power brush complete FC 7

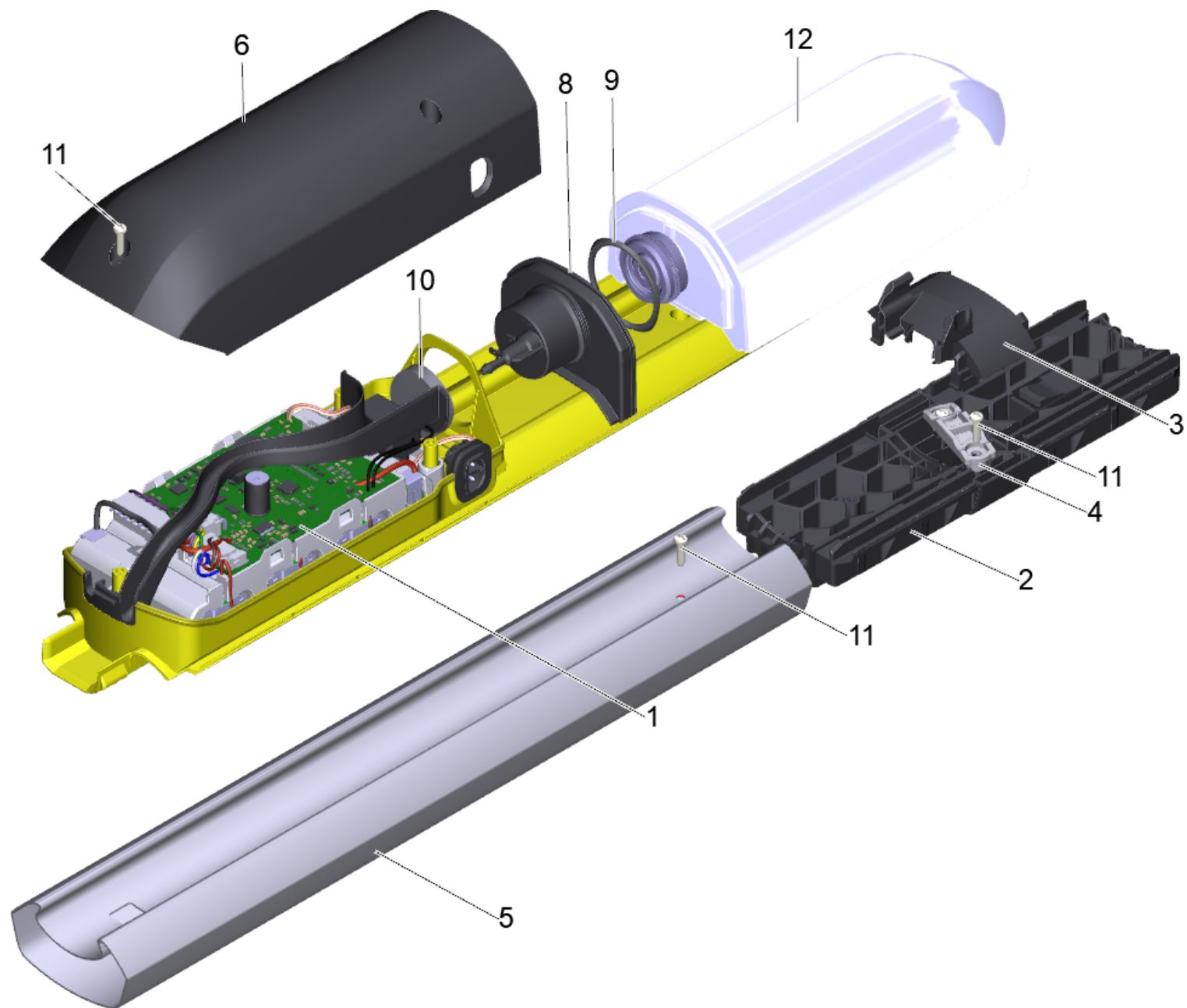
POS	Article no.	Description	Quantity	Unit
1		Power brush assembly FC 7	1	PC
2	4.055-169.3	Hair filter complete for replacement FC 7	2	PC
3	4.055-168.3	Waste water tank complete for replacement	1	PC
4	2.055-006.0	Set of rollers yellow set gelb	2	PC





1 Power brush assembly FC 7

POS	Article no.	Description	Quantity	Unit
1	4.055-170.3	Joint complete for replacement	1	PC
2	4.055-165.3	Gear complete for replacement	1	PC
3	6.303-557.0	Screw 3x12 Kombitorx T8	20	PC
4	4.055-187.3	Cover power brush printed	1	PC
5	5.055-631.0	Frame power brush	1	PC
6	5.055-632.3	Covering cap power brush for replacement	1	PC
7	5.055-654.0	Seal water outlet	2	PC
8	6.901-025.0	Hose silicon	3	PC
11	6.686-620.3	Solenoid valve for replacement 22V	1	PC
12	5.055-618.3	Trigger for replacement	1	PC
13	6.330-283.0	Spring	1	PC
14	5.055-619.3	Pusher dirt water tank	2	PC
16	5.055-621.3	Stripper edge trigger for replacement	1	PC
17	6.330-284.0	Spring	2	PC
18	5.055-662.0	Optical fibre black	1	PC

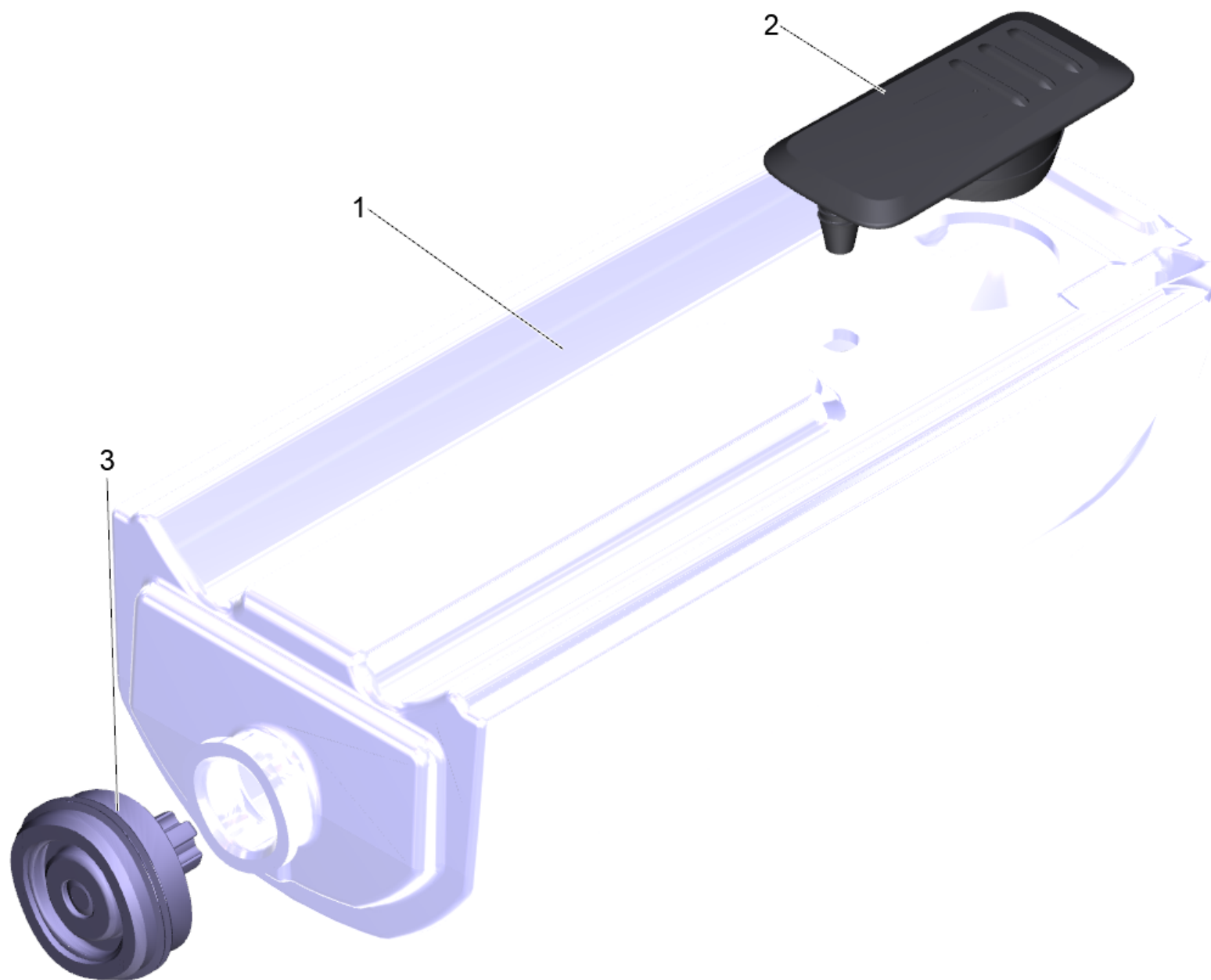


20 Basic unit FC 7 (EVE cell)

POS	Article no.	Description	Quantity	Unit
1	9.013-772.3	Electronics for replacement EVE pack FC7	1	PC
2	5.055-597.0	Connector	1	PC
3	5.055-598.3	Cap connector for replacement	1	PC
4	5.055-601.0	Strain relief	1	PC
5	5.055-634.3	Profile aluminium for replacement FC 7	1	PC
6	5.055-599.3	Cover rear cordless	1	PC
8	5.055-602.3	Retainer with pins	1	PC
9	6.362-511.0	O-Ring seal 31,47X 1,78	1	PC
10	4.055-110.0	Filter complete for replacement	1	PC
11	6.303-557.0	Screw 3x12 Kombitorx T8	6	PC
12		Clean water tank complete FC 7	1	PC

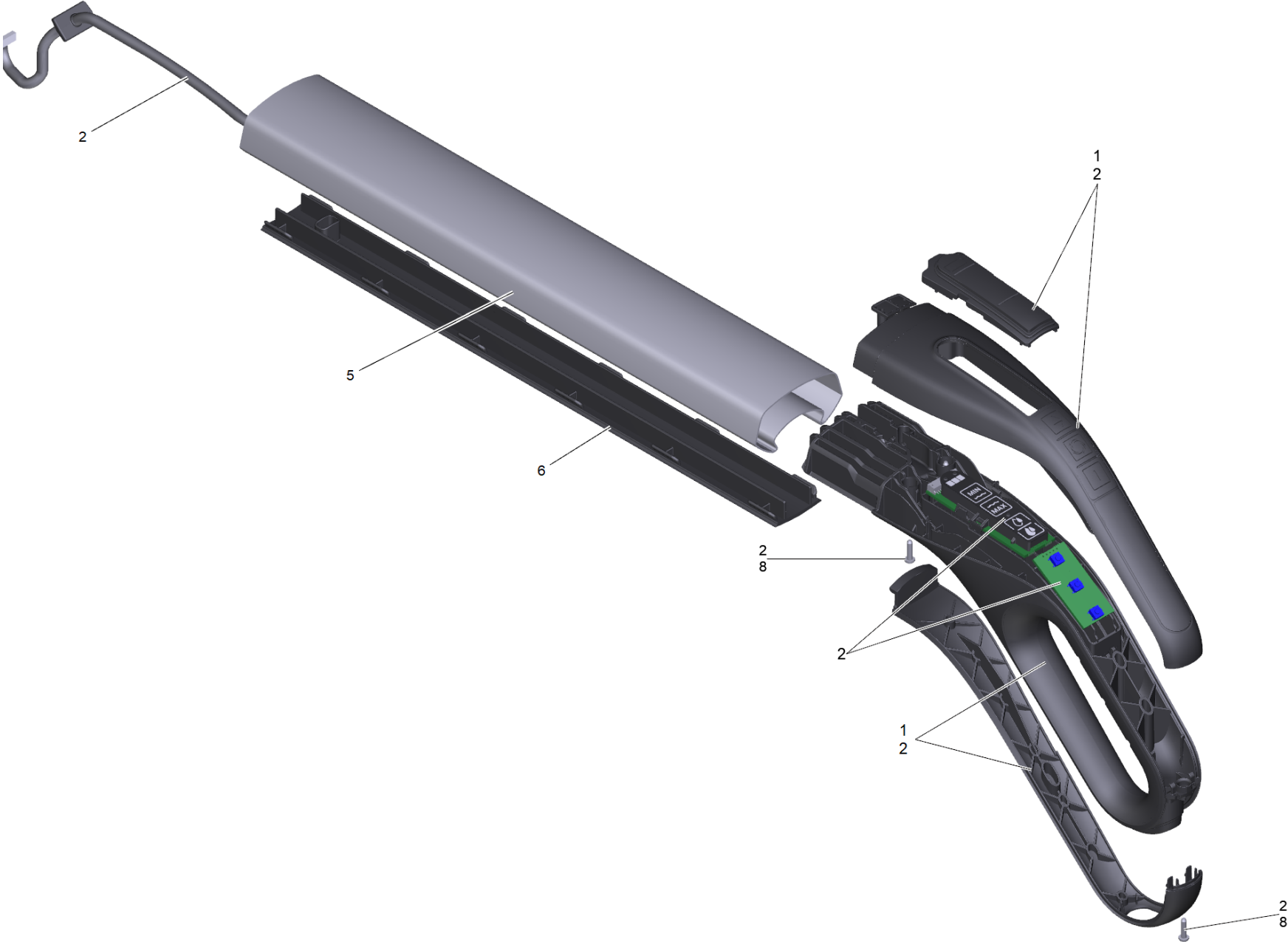
10 Filter complete for replacement (4.055-110.0)

POS	Article no.	Description	Quantity	Unit
1	4.071-646.0	Filter sponge for replacement	1	PC



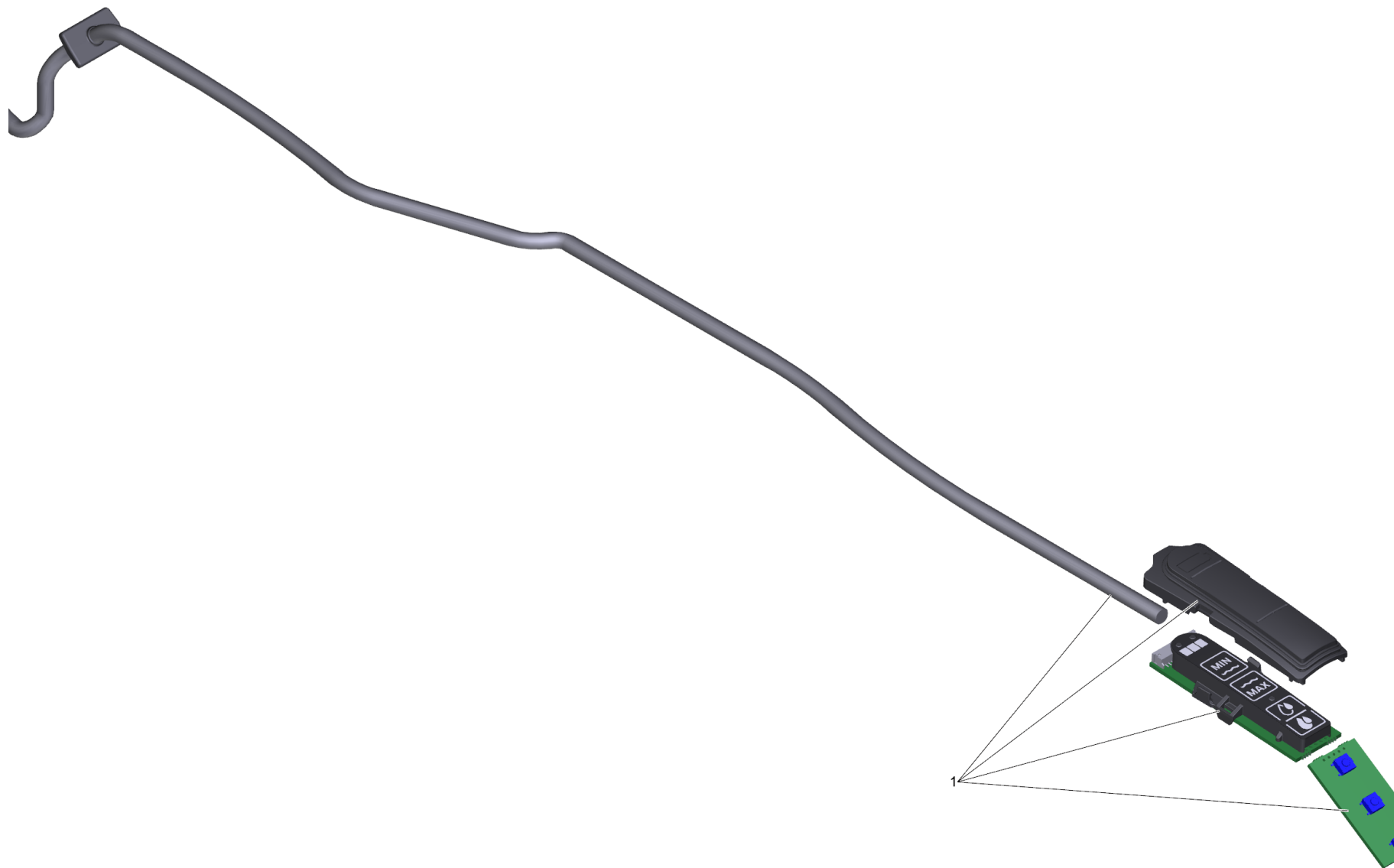
12 Clean water tank complete FC 7

POS	Article no.	Description	Quantity	Unit
1	5.055-606.3	Fresh water tank for replacement	1	PC
2	5.055-605.0	Lock cap	1	PC
3	4.055-112.0	Valve complete for replacement	1	PC



30 Handle complete

POS	Article no.	Description	Quantity	Unit
1	4.071-637.0	Set hand grip for replacement	1	PC
2	4.055-235.0	Hand grip handle for replacement	1	PC
5	5.055-634.3	Profile aluminium for replacement FC 7	1	PC
6	5.055-596.3	Covering cap alu profile for replacement cordless	1	PC
8	6.303-557.0	Screw 3x12 Kombitorx T8	6	PC



2 Hand grip handle for replacement (4.055-235.0)

POS	Article no.	Description	Quantity	Unit
1	4.055-236.0	User interface for replacement	1	PC
