

Spare parts list

(15451000) EB 30/1 *EU

(15451020) EB 30/1 *GB

(15451030) EB 30/1 *AU

(15451040) EB 30/1

(15451070) EB 30/1 *JP

(15451080) EB 30/1 Professional *EU

(15451090) EB 30/1 Professional *GB

(15451110) EB 30/1 Professional *AU

(15451120) EB 30/1 Professional *JP

(15451140) EB 30/1 Li-Ion Professional *

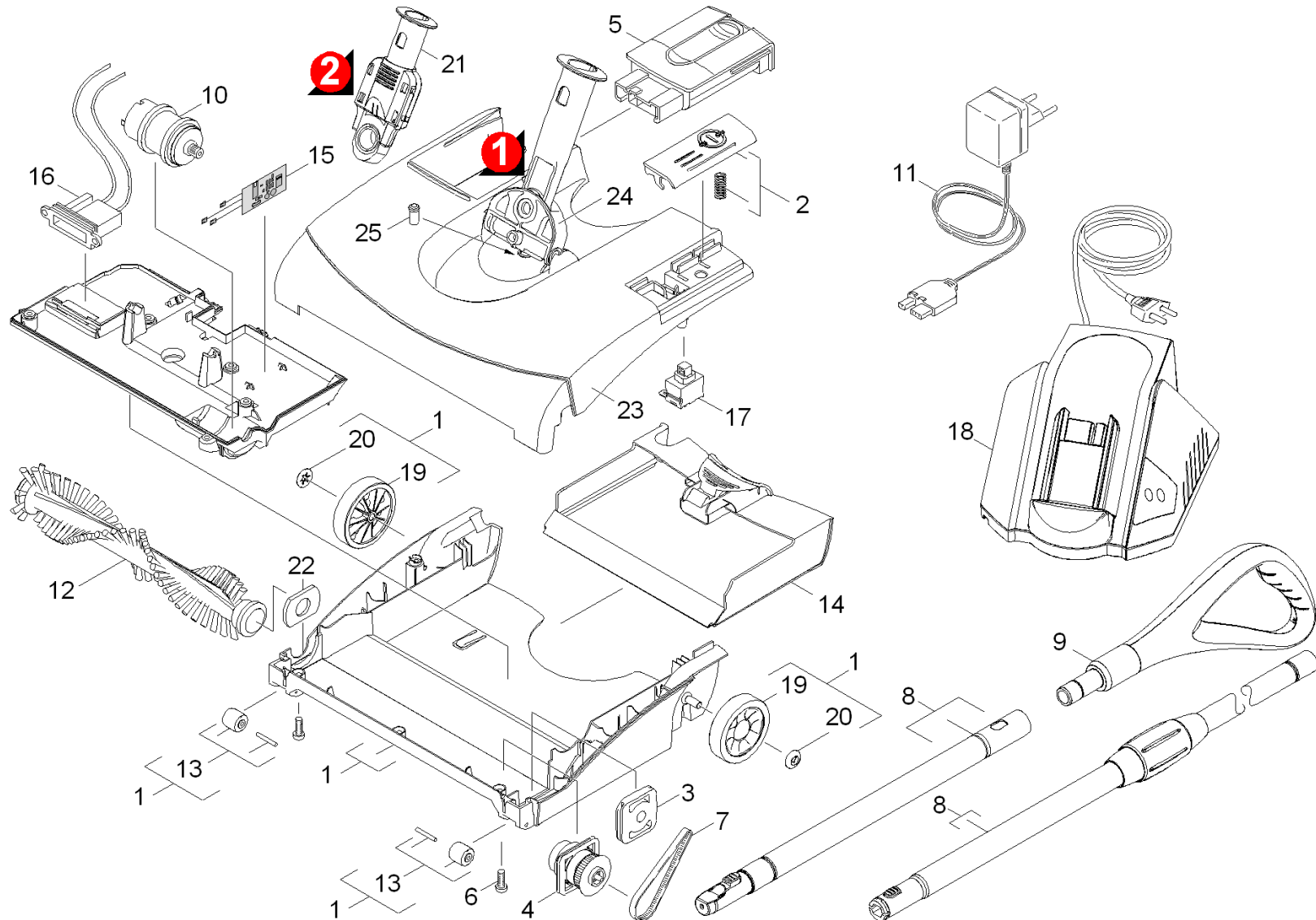
(15451150) EB 30/1 Li-Ion *EU

(15451160) EB 30/1 Li-Ion Professional *

CONTENT LIST

1.0 Individual parts

1.0 Individual parts



1.0 Individual parts

POS	DESCRIPTION ADDITIONAL INFORMATIONS	PART NO	QTY.	FROM SER.NR.	UP TO SER. NR.
1	Bottom part complete	40810020	1		
2	Pushbutton with spring	43240240	1		
3	Bearing right EB30/1	52501470	1		
4	Transmission	44540010	1		
5	Accumulator packaged	46542590	1		
5	Accumulator packaged Li-Ion 1.545-114/-115/-116	46542730	1		
6	Screw 4x16 -10.9-R2R (K-In6Rd)	73031290	11		
7	Toothed belt	63484270	1		
8	Tube complete	40706070	1		
9	Hand grip complete	40706060	1		
10	Motor complete	46237500	1		
11	Mains-adapter *EUR 1.545-100.0/-108	66466490	1		
11	Mains-adapter *GB 1.545-102.0/-109	66466670	1		
11	Mains-adapter *AU 1.545-103/-111	66466680	1		
11	Mains-adapter *JP 1.545-107.0 / -112.0	66466690	1		
11	Mains-adapter 120V 1.545-104.0 *US	66466700	1		
11	Mains-adapter Li-Ion *EU 1.545-115.0 Li-Ion	66468610	1		
12	Roller brush packaged BLACK	47624000	1		
12	Roller brush red packaged RED	47624010	1		
13	Roller set	48800580	1		
14	Sweep tank complete	40705880	1		
15	Electronics complete 1.545-104.0 *US	46820920	1		

1.0 Individual parts

POS	DESCRIPTION ADDITIONAL INFORMATIONS	PART NO	QTY.	FROM SER.NR.	UP TO SER. NR.
15	Electronics	66827800	1		
16	Electrical small parts complete	48224340	1		
17	Switch	66304130	1		
18	Rechargeable battery changer carton four 1.545-100.0/-108/-114/-115 Li-Ion /*EUR	66541900	1		
18	Rechargeable battery changer carton four 1.545-102.0/-109/-116 Li-Ion	66541960	1		
18	Rechargeable battery changer carton four 1.545-104.0 *US	66541970	1		
18	Rechargeable battery changer carton four 1.545-107.0 / -112.0	66541990	1		
18	Rechargeable battery changer carton four 1.545-103/-111	66542010	1		
19	Wheel	55152760	2		
20	Lock washer	63431870	2		
21	Locking part complete	46721810	2		
22	Bearing plate left	50087750	1		
23	Top part	50800220	1		
24	Joint	56053140	1		
25	Thrust piece springy	41100130	1		