

**Spare parts list**  
**(5.971-938.0) Spare parts list EB 30/1 \***

**Table of contents**

---

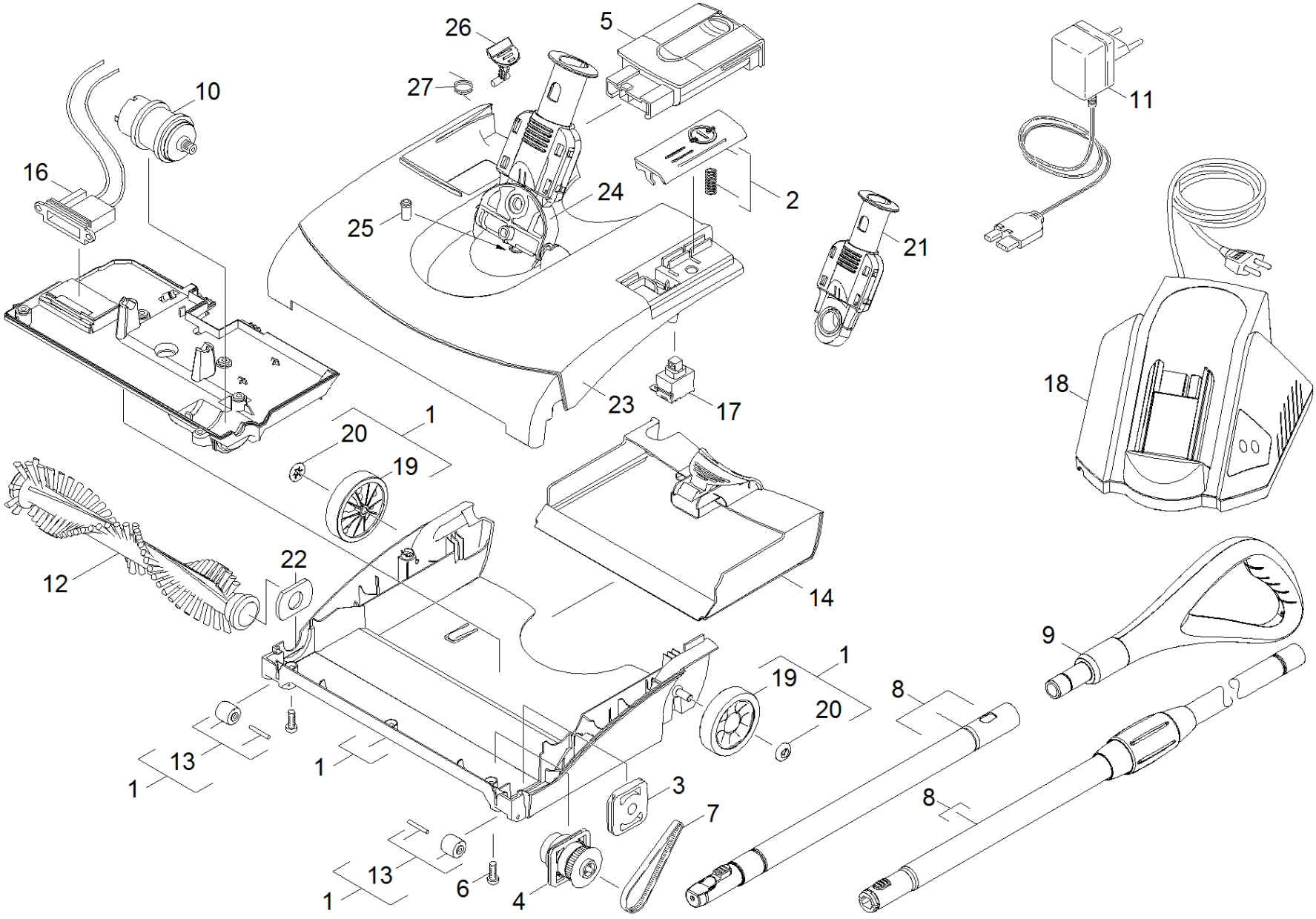
<b>Spare parts list EB 30/1 * (5.971-938.0)</b> .....	<b>6</b>
10 Individual parts.....	7
20 Locking part completely.....	10

**Spare parts list EB 30/1 \* (5.971-938.0)**

---

<b>Pos</b>	<b>Name</b>	<b>Qty.</b>	<b>Unit</b>
10	Individual parts	1.000	ST
20	Locking part completely	1.000	ST

10 Individual parts



## 10 Individual parts

ET/VT (spare/wear parts)	Pos	Material #	Name	Qty.	Unit	from ser.nr.	up to ser.nr.	Footnote text
	1	4.081-005.0	Bottom part complete	1.000	ST			
	2	4.324-047.0	Pushbutton with spring	1.000	ST			YELLOW
X-X	3	5.250-147.0	Bearing right EB30/1	1.000	ST	0000000000	0000000000	
X-X	4	4.454-001.0	Transmission	1.000	ST	0000000000	0000000000	
X-X	5	4.654-259.0	Accumulator packaged	1.000	ST	0000000000	0000000000	
X	6	7.303-129.0	Screw 4x16 -10.9-R2R (K-In6Rd)	11.000	ST	0000000000	0000000000	
X-X	7	6.348-427.0	Toothed belt	1.000	ST	0000000000	0000000000	
X-X	8	4.070-946.0	Tube complete	1.000	ST	0000000000	0000000000	
X	9	4.070-939.0	Hand grip complete	1.000	ST	0000000000	0000000000	
X-X	10	4.623-750.0	Motor complete	1.000	ST	0000000000	0000000000	
X-X	11	6.646-670.0	Mains-adapter 120V	1.000	ST			
Position text: 1.545-107								
X	12	4.762-401.0	Roller brush red packaged	1.000	ST	0000000000	0000000000	RED
X-X	12	4.762-400.0	Roller brush packaged	1.000	ST	0000000000	0000000000	BLACK
	13	4.880-058.0	Roller set	1.000	ST	0000000000	0000000000	
	14	4.070-804.0	Sweep tank complete	1.000	ST			
	16	4.822-434.0	Electrical small parts complete	1.000	ST	0000000000	0000000000	
X-X	17	6.630-413.0	Switch	1.000	ST	0000000000	0000000000	
	18	6.654-197.0	Rechargeable battery charger 120 V BC 1/	1.000	ST			
	19	5.515-000.0	Wheel grey	2.000	ST			
X-X	20	6.343-187.0	Lock washer	2.000	ST	0000000000	0000000000	
	21	4.672-201.0	Locking part complete	2.000	ST			
X	22	5.008-775.0	Bearing plate left	1.000	ST			
	23	5.080-028.0	Top part	1.000	ST			
	24	5.605-314.0	Joint	1.000	ST			

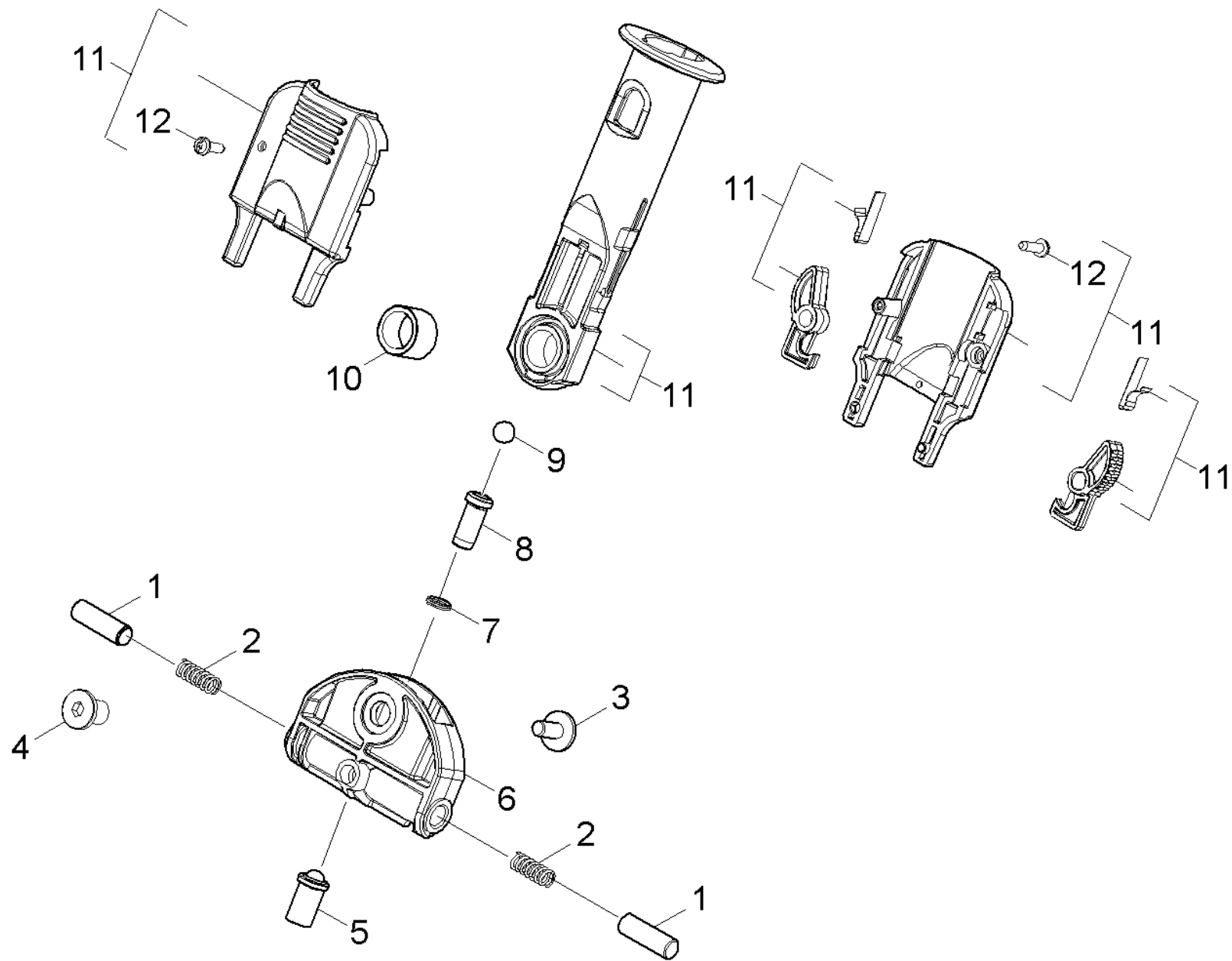
## 10 Individual parts

---

ET/VT (spare/wear parts)	Pos	Material #	Name	Qty.	Unit	from ser.nr.	up to ser.nr.	Footnote text
X	25	4.110-013.0	Thrust piece springy	1.000	ST			
	26	5.324-137.0	Pushbutton connection accumulator	1.000	ST			
	27	6.330-254.0	Leg spring	1.000	ST			

---

20 Locking part completely



## 20 Locking part completely

ET/VT (spare/wear parts)	Pos	Material #	Name	Qty.	Unit
	1	5.100-497.0	Bolt bearing	2.000	ST
	2	5.332-543.0	Pressure spring	2.000	ST
	3	6.303-492.0	Screw M6x12-St-gal Zn	1.000	ST
	4	6.311-016.0	Nut M 6-St-gal Ni	1.000	ST
X	5	4.110-013.0	Thrust piece springy	1.000	ST
	6	5.605-314.0	Joint	1.000	ST
	7	5.332-551.0	Pressure spring	1.000	ST
	8	5.112-774.0	Ball bushing	1.000	ST
	9	7.401-916.0	Sphere 8,0 G10 -1.4034 DIN 5401	1.000	ST
	10	5.112-773.0	Spacer sleeve	1.000	ST
	11	4.672-181.0	Locking part complete	1.000	ST
	12	6.303-318.0	Screw 3,5x12-10.9-R2R (IN6RD)	2.000	ST