



Spare parts list

(10926800) DE 4002 (115V)

(10928010) DE 4002 (110V)

(10928020) DE 4002 120V TORNADO

CONTENT LIST

1.0 APPLIANCE - PIECE PARTS

- 1.1 APPLIANCE TOP PART
- 1.2 APPLIANCE BOTTOM

2.0 STEAM DRUM

3.0 WATER TANK

- 3.1 WATER TANK
- 3.2 VIBRATING PISTON PUMP

4.0 ACCESSORIES

- 4.1 CONNECTION HOSE
- 4.2 EXTENSION PIPE
- 4.3 HAND NOZZLE
- 4.4 FLOOR TOOL
- 4.5 WINDOW TOOL

5.0 ACCESSORIES

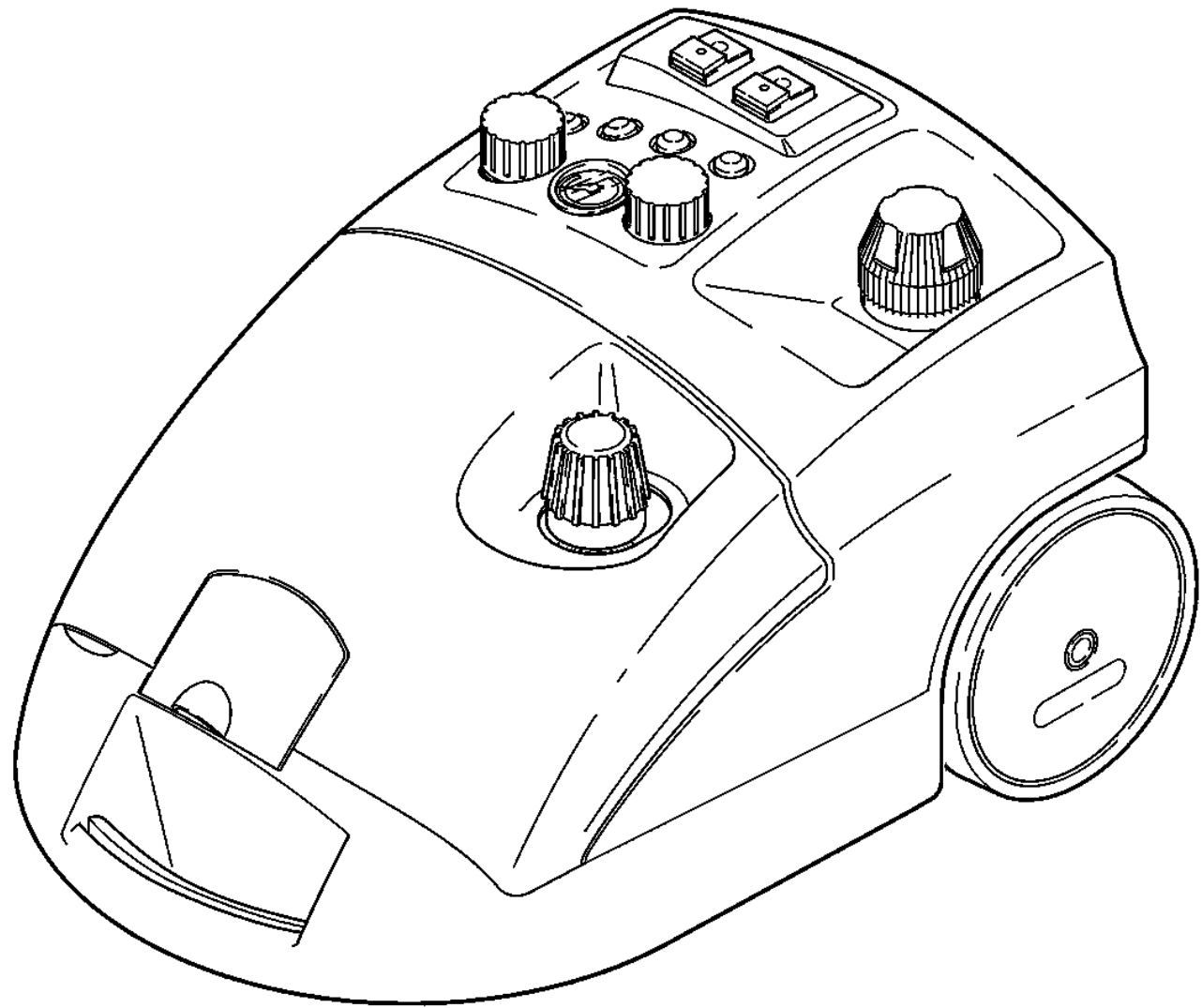
KUNSTSTOFF

- 5.1 STEAM HOSE
- 5.2 EXTENSION
- 5.3 BRUSHES
- 5.4 NOZZLE
- 5.5 NOZZLE FOR HANGINGS
- 5.6 WINDOW TOOL

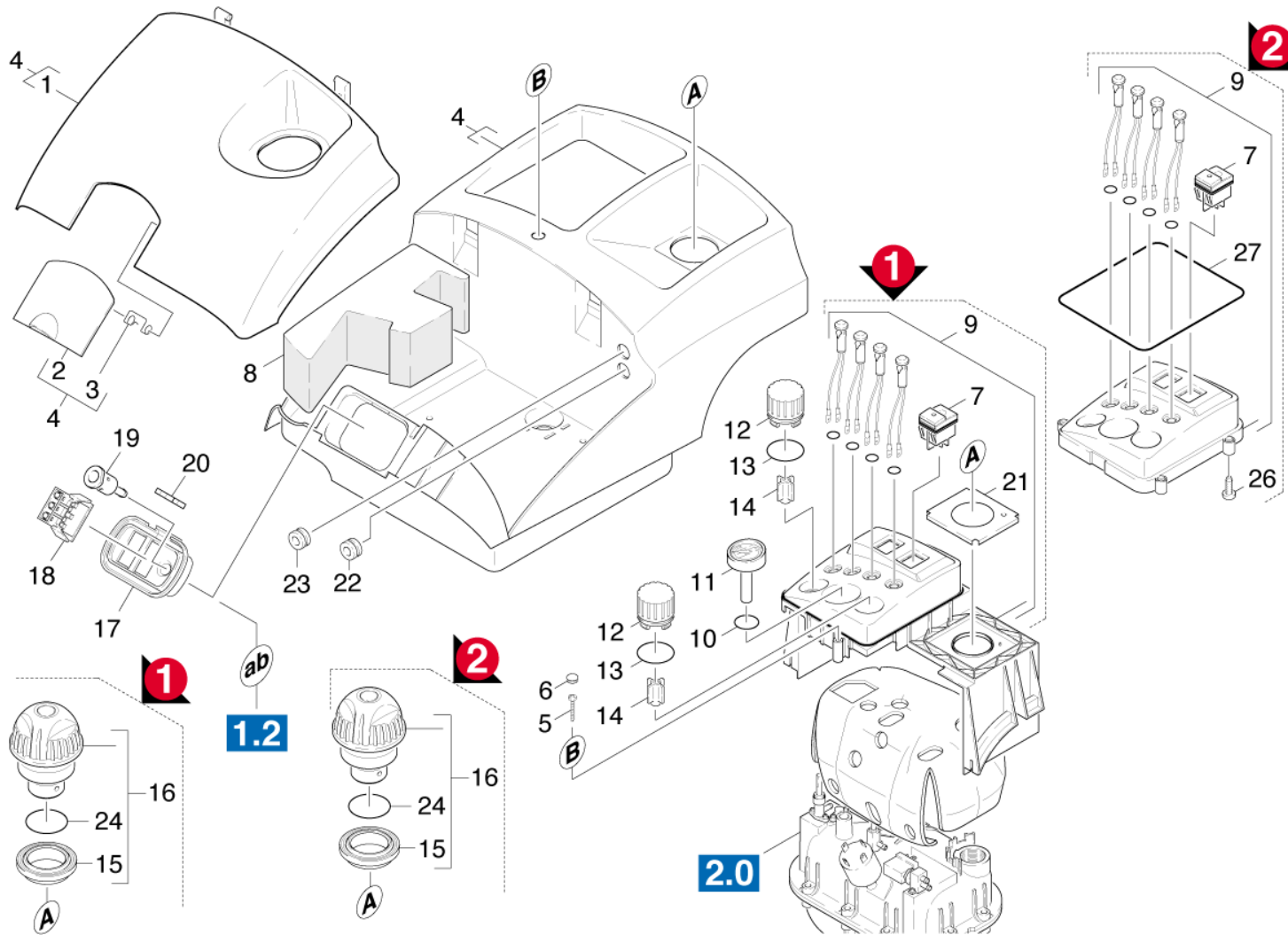
1.0 APPLIANCE - PIECE PARTS

1.1 APPLIANCE TOP PART

1.2 APPLIANCE BOTTOM



1.1 APPLIANCE TOP PART



1.1 APPLIANCE TOP PART

POS	DESCRIPTION ADDITIONAL INFORMATIONS	PART NO	QTY.	FROM SER.NR.	UP TO SER. NR.
1	Cover / 1.092-680.0 / -801.0	50668240	1		
1	COVER TORNADO / 1.092-802.0	50671440	1		
2	Cover	50637240	1		
3	Rotaring spring cover	53323430	1		
4	HOUSING / 1.092-680.0 / -801.0	40662250	1		
4	HOUSING SATZ / 1.092-802.0	40662810	1		
4	HOUSING / 1.092-680.0 / -801.0 FOR SWITCHDESK V2	40663070	1	27776	
5	Screw 5x25-IN6RD	63032000	1		1
6	Cap	50314050	1		
7	SWITCH	66319890	2		
8	INSERT	50313750	1		
9	SWITCH DESK KPL.	48400120	1		1
9	SWITCH DESK KPL.	48400160	1	2	
10	GASJKET	63624110	1		
11	THERMOSTAT GAUGE	64230640	1		
12	KNOB	53215290	2		
13	O RING	63625220	2		
14	HANDLE	53214850	2		
15	Seal	53633710	1		1
15	Seal	53635370	1	2	
16	SAFETY LOCK	45900860	1		
17	SOCKET	50312620	1		
18	Plug socket element black	66001050	2		
19	NIPPLE	54095140	1		
20	SEAL	53633640	1		
21	Sheet metal component	50473520	1		1

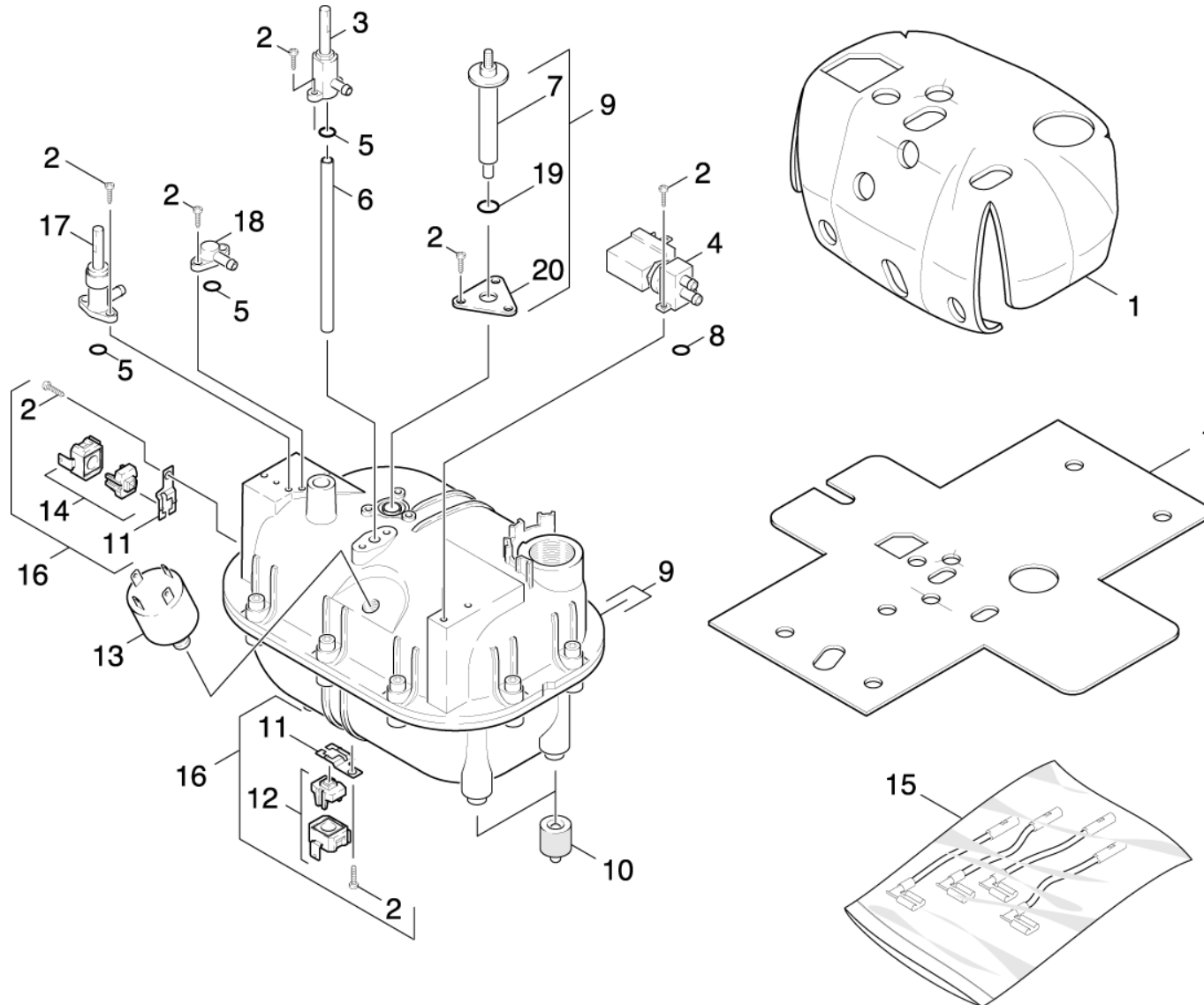
1.1 APPLIANCE TOP PART

POS	DESCRIPTION	PART NO	QTY.	FROM SER.NR.	UP TO SER. NR.
	ADDITIONAL INFORMATIONS				
22	BUSH	66414020	1		
23	CABLE GLAND	66478810	1		
24	GASKET	63629270	1		
25	HEAT MASTER PASTE	62801750	1		
26	Screw 4x 12-ST-10.9-R2R (IN6RD)	73030950	4	2	
27	Seal	53633470	1	2	

1.2 APPLIANCE BOTTOM

POS	DESCRIPTION ADDITIONAL INFORMATIONS	PART NO	QTY.	FROM SER.NR.	UP TO SER. NR.
1	TRANSFORMER	66222070	1		
2	CABLE M.STECK. 120V	66477910	1		
3	Hose 4x1,5 TO ORDER AS CUT GOODS	63898620	1		
4	HOSE BAND CLIP	63899930	7		
5	Hose clip 8,5-10,0	63898820	1		
6	T-Piece	69060230	1		
7	Screw 5x25-IN6RD	63032000	4		
8	RUNNING WHEEL	55151080	2		
9	LEVER	54812060	1		
10	EXTENSION HEBEL	54812000	2		
11	CASTOR	64352500	1		
12	SCREW	63032740	2		
13	HOUSING KIT BLACK	40662460	1		
15	CLAMP	53324170	2		
16	COUNTER HOLDER	50314340	2		
17	PLATE	50031430	2		
18	HOSE BAND CLIP	63901620	1		
19	HOSE	69060240	1		

2.0 STEAM DRUM



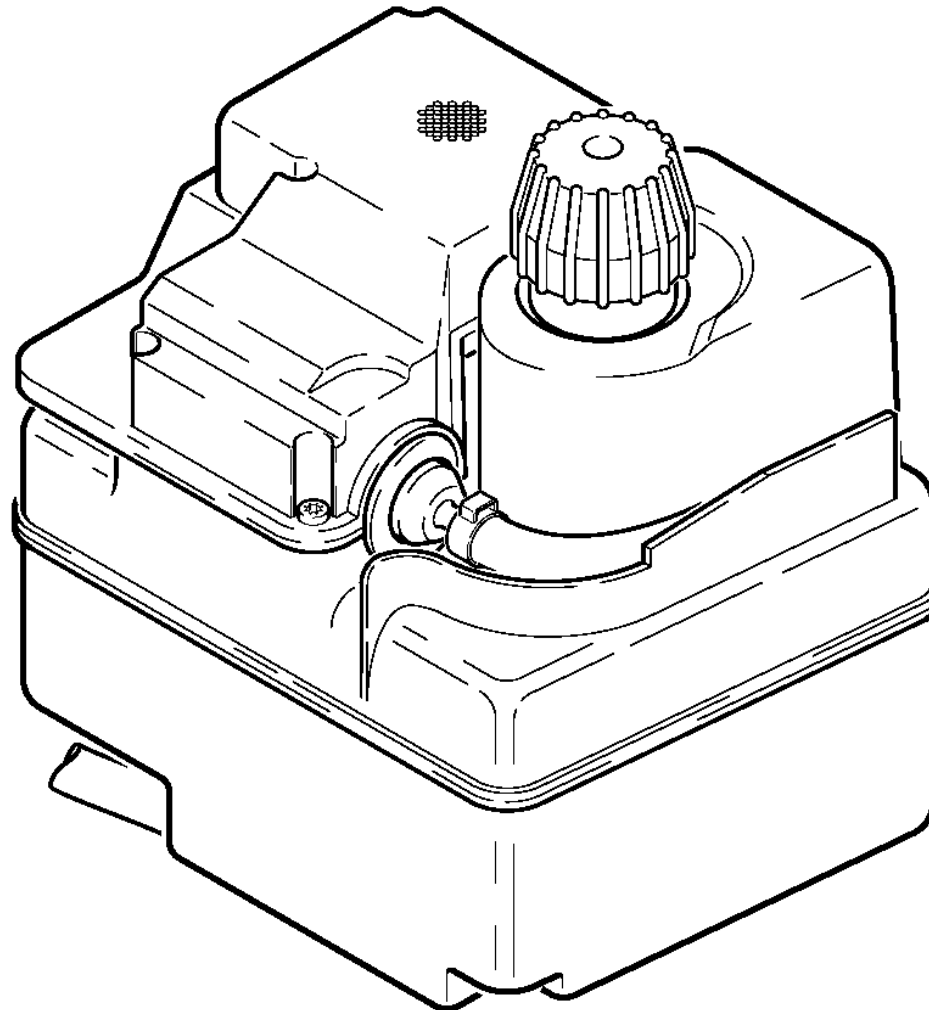
2.0 STEAM DRUM

POS	DESCRIPTION ADDITIONAL INFORMATIONS	PART NO	QTY.	FROM SER.NR.	UP TO SER. NR.
1	INSULATION K1501/1701	56731190	1		
2	Screw M4x12 -St-R2R (In6Rd)	73030320	13		
3	VALVE	66860060	1		
4	VALVE	66860080	1		
5	GASKET	63621860	3		
6	PIPE	50287650	1		
7	PROBE	51071780	1		16833
7	PROBE	51072040	1	16834	
8	GASKET	63626330	1		
9	COOKING VESSEL	40702920	1		16833
9	COOKING VESSEL	40703330	1	16834	
10	RUBBER BUFFER	57670060	4		
11	BRACKET	50481400	2		16833
11	BRACKET	50481400	2	16834	
12	LOW WATER CUT OUT	66319910	1		
13	Pressure controller	64122800	1		
14	THERMOSTAT	66319900	1		
15	CABLE SET REPERATUR	66486400	1		
16	Spare parts set thermostat	47441100	1		
17	VALVE	66860660	1		
18	ANGLE PIECE	54025800	1		
19	GASKET 9,75 X 1,78	63630040	1		16833
19	GASKET	63630320	1	16834	
20	Plate holder probe	50019060	1	16834	

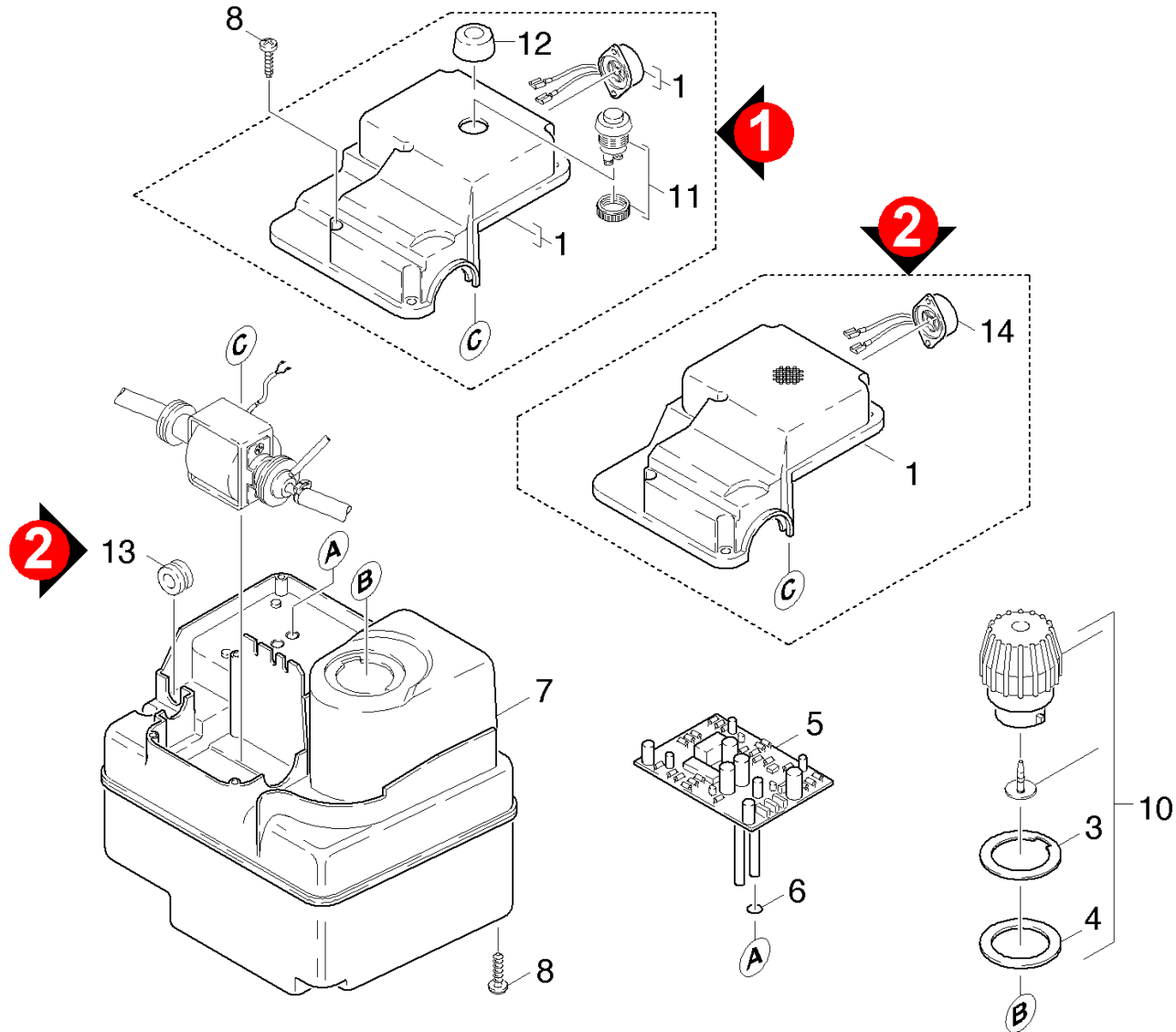
3.0 WATER TANK

3.1 WATER TANK

3.2 VIBRATING PISTON PUMP



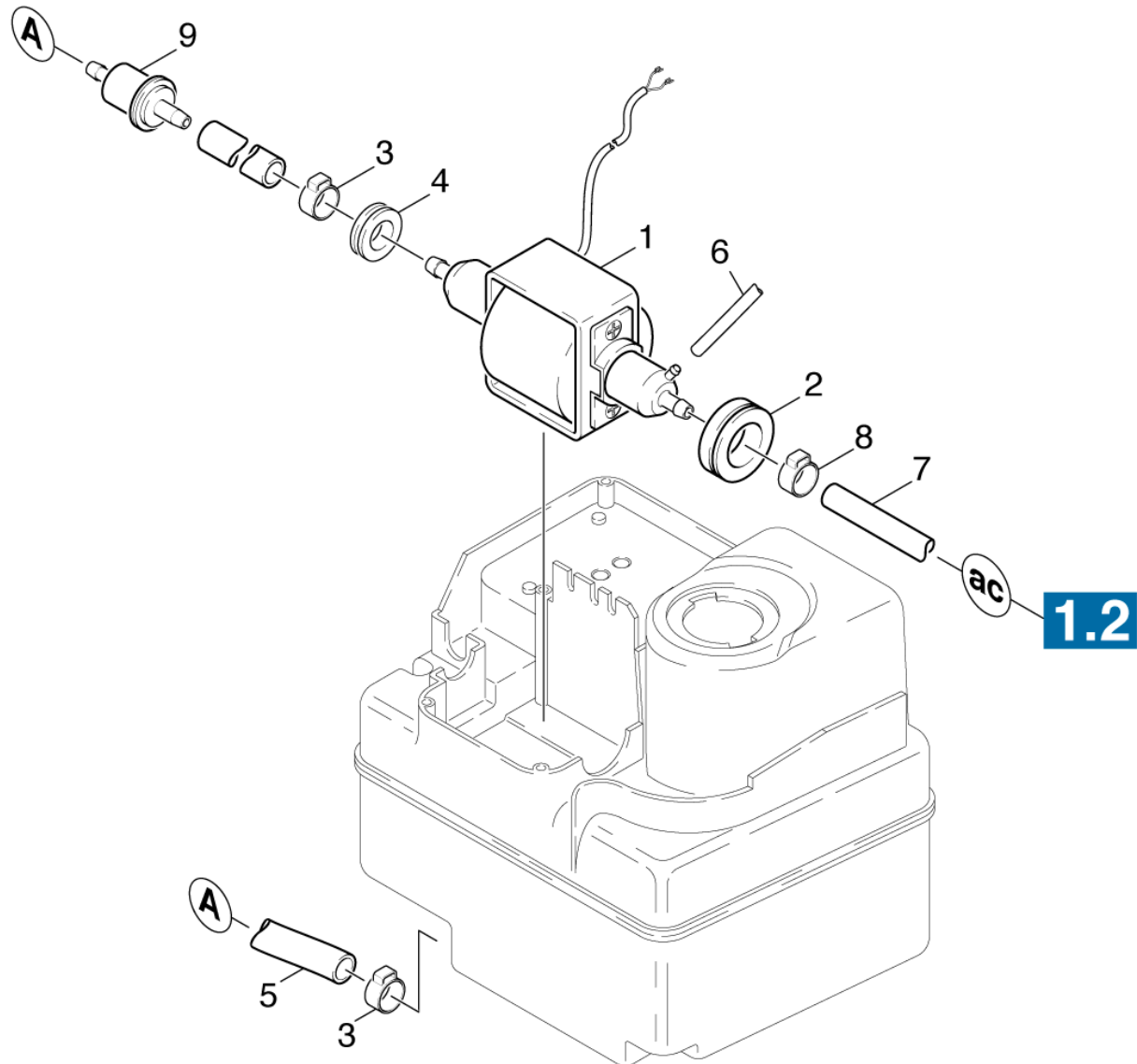
3.1 WATER TANK



3.1 WATER TANK

POS	DESCRIPTION ADDITIONAL INFORMATIONS	PART NO	QTY.	FROM SER.NR.	UP TO SER. NR.
1	Cover complete	40636010	1		16833
1	COVER	50638370	1	16834	
3	WASHER	51156960	1		
4	Joint ring 40	53633680	1		
5	Electronics	48391860	1		16833
5	Electronics	48392270	1	16834	
6	O RING	63624010	2		
7	Tank	50702060	1		16833
7	TANK	50705150	1	16834	
8	SCREW	63032700	7		
10	Closure box	40750100	1		
11	Push button one-pole	66300470	1		16833
12	RUBBER CAP	63681220	1		16833
13	BUSH	66414020	1	16834	
14	SENDER	64240190	1	16834	

3.2 VIBRATING PISTON PUMP



3.2 VIBRATING PISTON PUMP

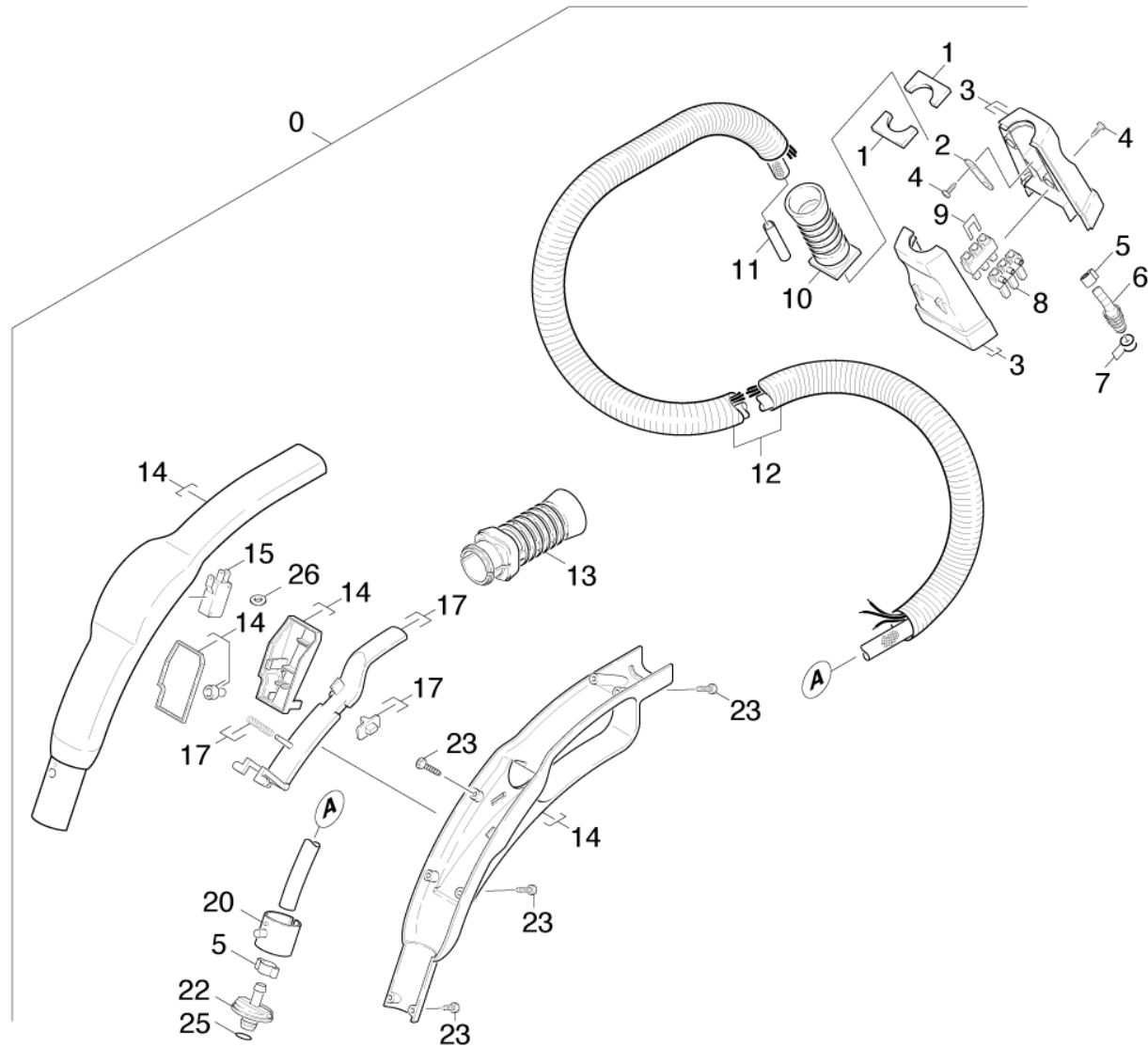
POS	DESCRIPTION ADDITIONAL INFORMATIONS	PART NO	QTY.	FROM SER.NR.	UP TO SER. NR.
1	MOTOR-DRIVEN PUMP 120V	64733780	1		
2	Joint ring 30	53633650	1		16833
2	Joint ring 30	53634320	1	16834	
3	HOSE BAND CLIP	63899930	2		
4	Joint ring 21	53633660	1		
5	Hose 4x1,5	63898620	1		
	TO ORDER AS CUT GOODS				
6	HOSE	63897990	1		16833
	TO ORDER AS CUT GOODS				
6	HOSE	63902870	1	16834	
	TO ORDER AS CUT GOODS				
7	HOSE	69060240	1		
8	HOSE BAND CLIP	63901620	1		
9	Filter fine dust	64144390	1	16834	

4.0 ACCESSORIES

- 4.1 CONNECTION HOSE
- 4.2 EXTENSION PIPE
- 4.3 HAND NOZZLE
- 4.4 FLOOR TOOL
- 4.5 WINDOW TOOL



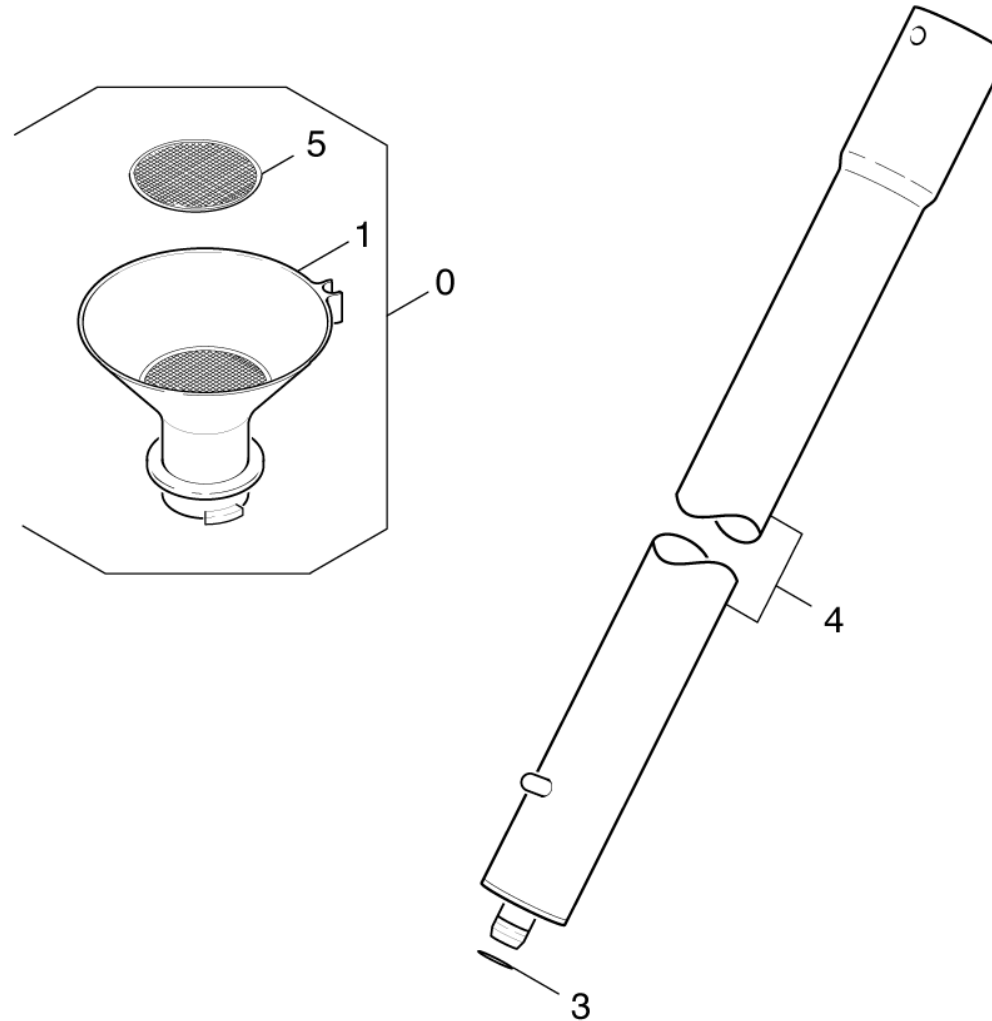
4.1 CONNECTION HOSE



4.1 CONNECTION HOSE

POS	DESCRIPTION ADDITIONAL INFORMATIONS	PART NO	QTY.	FROM SER.NR.	UP TO SER. NR.
0	Steam hose with pistol	43210920	1		
1	SEAL	53641990	2		
2	PULL RELIEF	66475130	1		
3	PLUG (SCHALEN)	50313690	1		
5	HOSE BAND CLIP	63901620	2		
6	NIPPLE	54092180	1		
7	GASKET	63629230	2		
8	PLUG ELEMENT	66463250	2		
9	Brigde	66475990	1		
10	PROTECTION PART	53944000	1		
11	INSULATING HOSE	54400850	1		
12	HOSE KPL.	69622430	1		
13	PROTECTION PART	69622440	1		
14	HANDLES	69622450	1		
15	MICRO SWITCH	69622460	1		
17	CALIPERS	69622470	1		
20	LOCKING PART	69622490	1		
22	NIPPLE	69620960	1		
23	SCREW	69621710	7		
25	GASKET	69621060	1		
26	WASHER A 3,2	73120150	1		

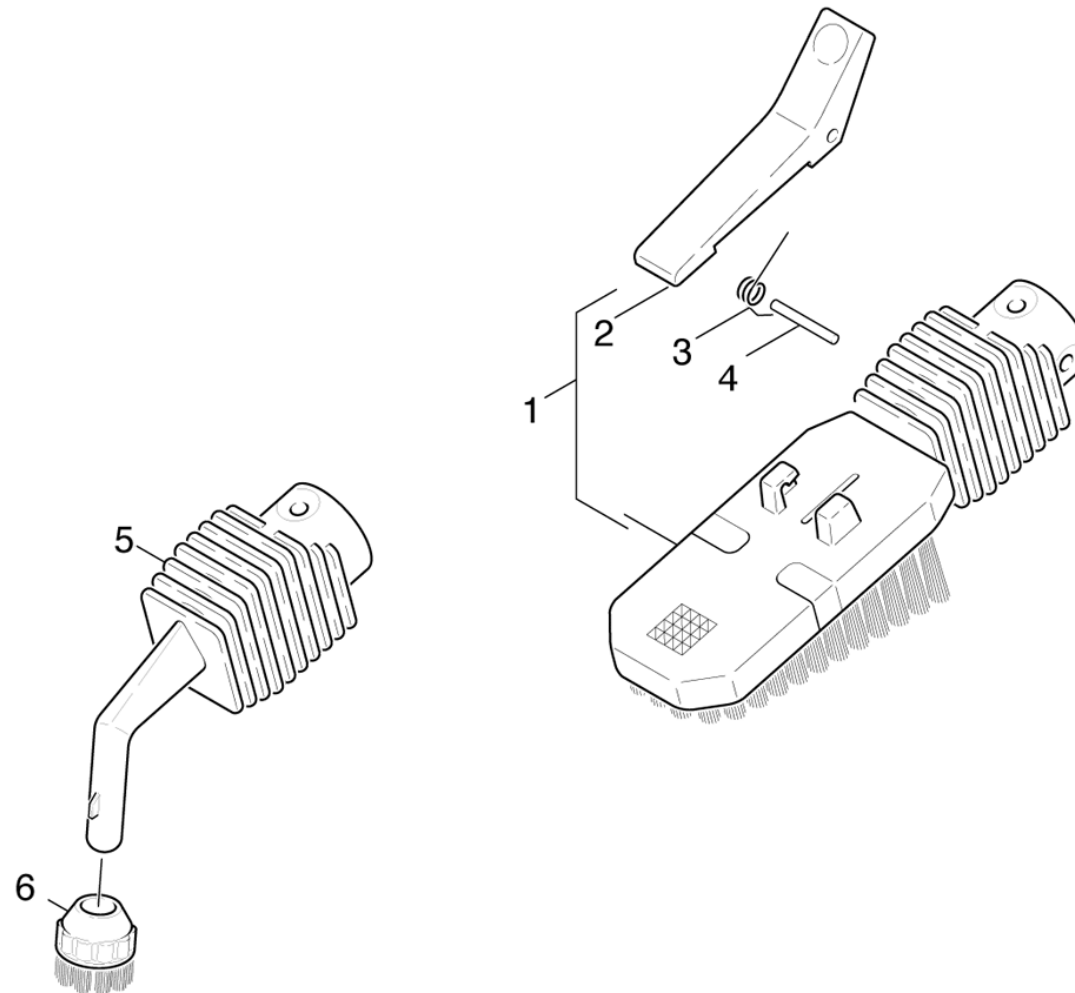
4.2 EXTENSION PIPE



4.2 EXTENSION PIPE

POS	DESCRIPTION ADDITIONAL INFORMATIONS	PART NO	QTY.	FROM SER.NR.	UP TO SER. NR.
1	FUNNEL DE 4002	40130300	1		
3	GASKET	69621060	2		
4	EXT TUBE	69620020	2		
5	FILTER CARTRIDGE	57315900	1		

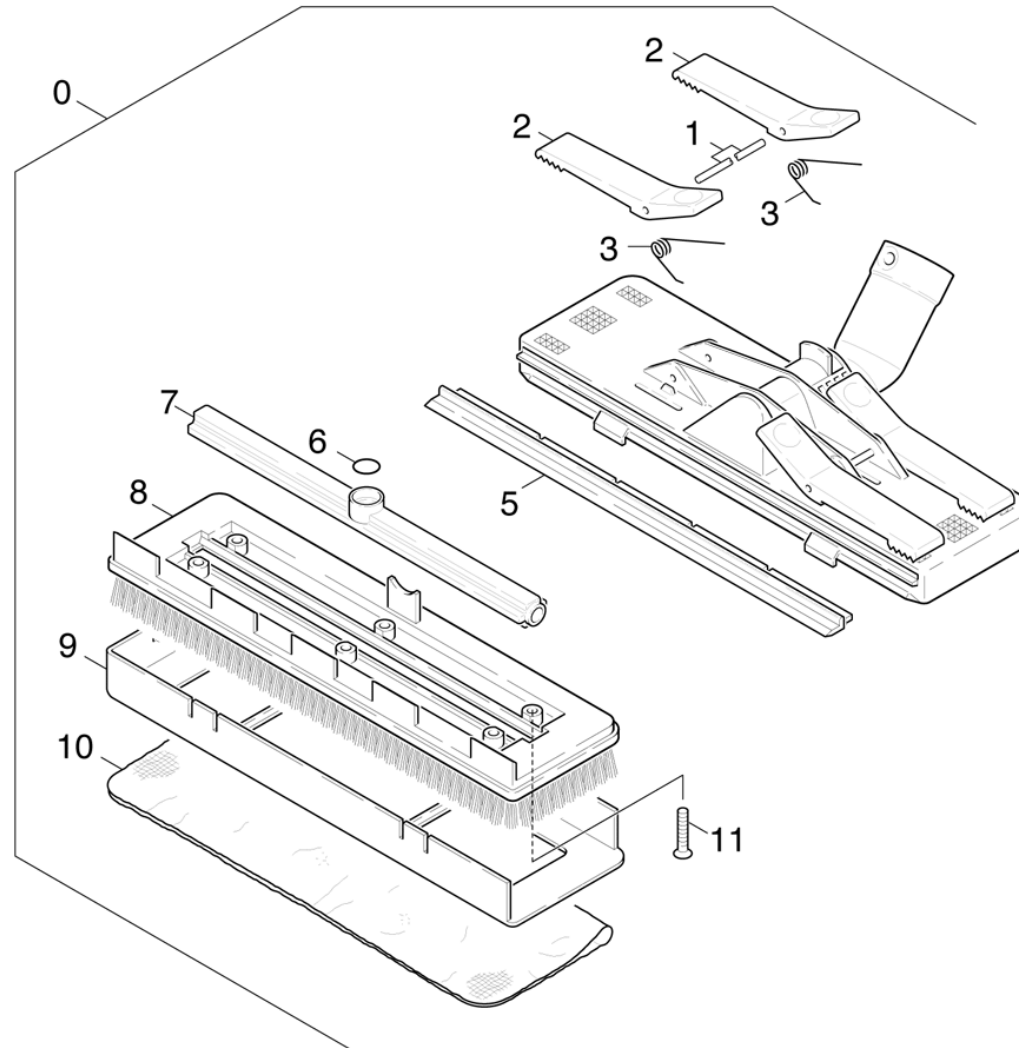
4.3 HAND NOZZLE



4.3 HAND NOZZLE

POS	DESCRIPTION ADDITIONAL INFORMATIONS	PART NO	QTY.	FROM SER.NR.	UP TO SER. NR.
1	HAND NOZZLE	69620050	1		
2	BINDER	69621070	1		
3	Spring	69621080	1		
4	Bolt	69621090	1		
5	NOZZLE	69620060	1		
6	BRUSH ROUND (PACK OF 5)	69620190	1		

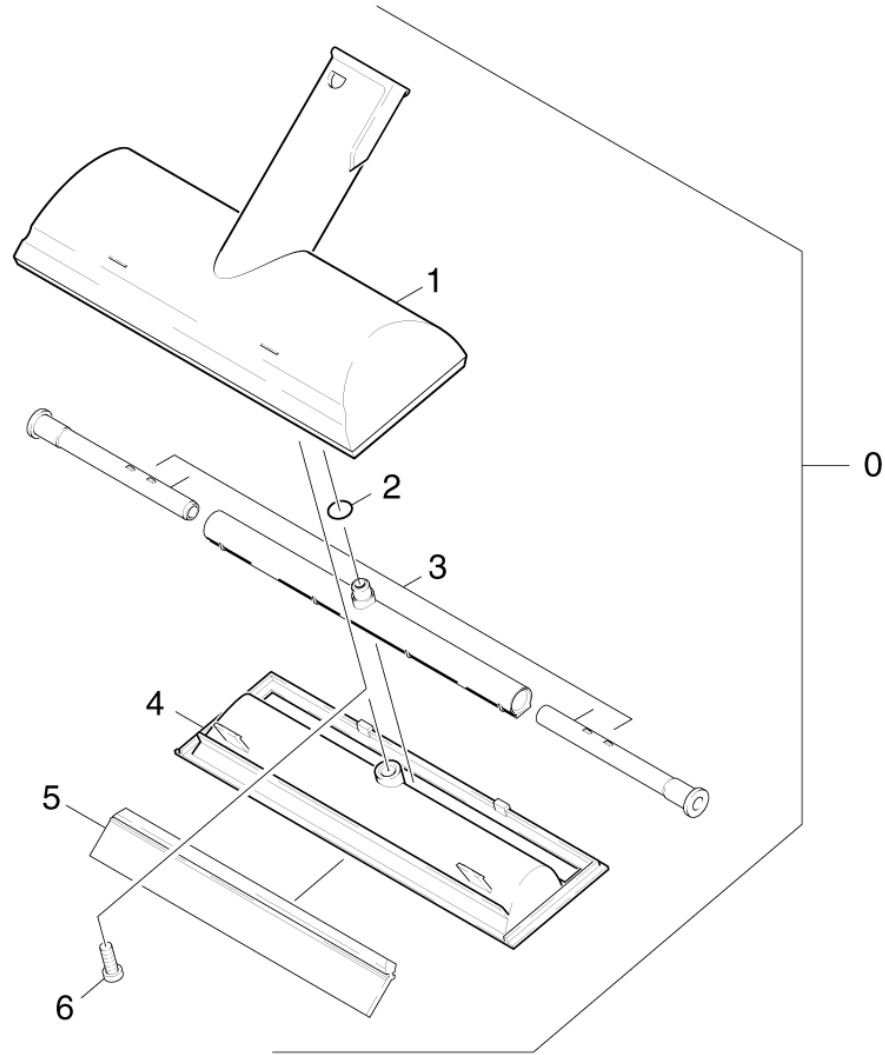
4.4 FLOOR TOOL



4.4 FLOOR TOOL

POS	DESCRIPTION ADDITIONAL INFORMATIONS	PART NO	QTY.	FROM SER.NR.	UP TO SER. NR.
0	Floor tool	69620040	1		
1	Bolt	69620930	2		
2	BINDER	69621070	4		
3	Spring	69621080	4		
5	RUBBER LIP	69621130	1		
6	GASKET	69621140	1		
7	Strip nozzle	69621160	1		
8	BRUSH INSERT	69621150	1		
9	ADAPTOR	69620100	1		
10	CLOTH	69620250	1		
11	SCREW 3,5X19	69622100	6		

4.5 WINDOW TOOL



4.5 WINDOW TOOL

POS	DESCRIPTION ADDITIONAL INFORMATIONS	PART NO	QTY.	FROM SER.NR.	UP TO SER. NR.
0	Window nozzle GRAU	41301150	1		1
0	Window nozzle black SCHWARZ	41301420	1	2	
1	TOP PART	57680440	1		
2	O RING	63629220	1		
3	Nozzle body only for replacement	47680160	1		
4	BOTTOM	57680360	1		
5	RUBBER LIP	62731400	1		
6	Oval head screw 2,9X 13-ST-VERZ	63030580	1		

5.0 ACCESSORIES

KUNSTSTOFF

5.1 STEAM HOSE

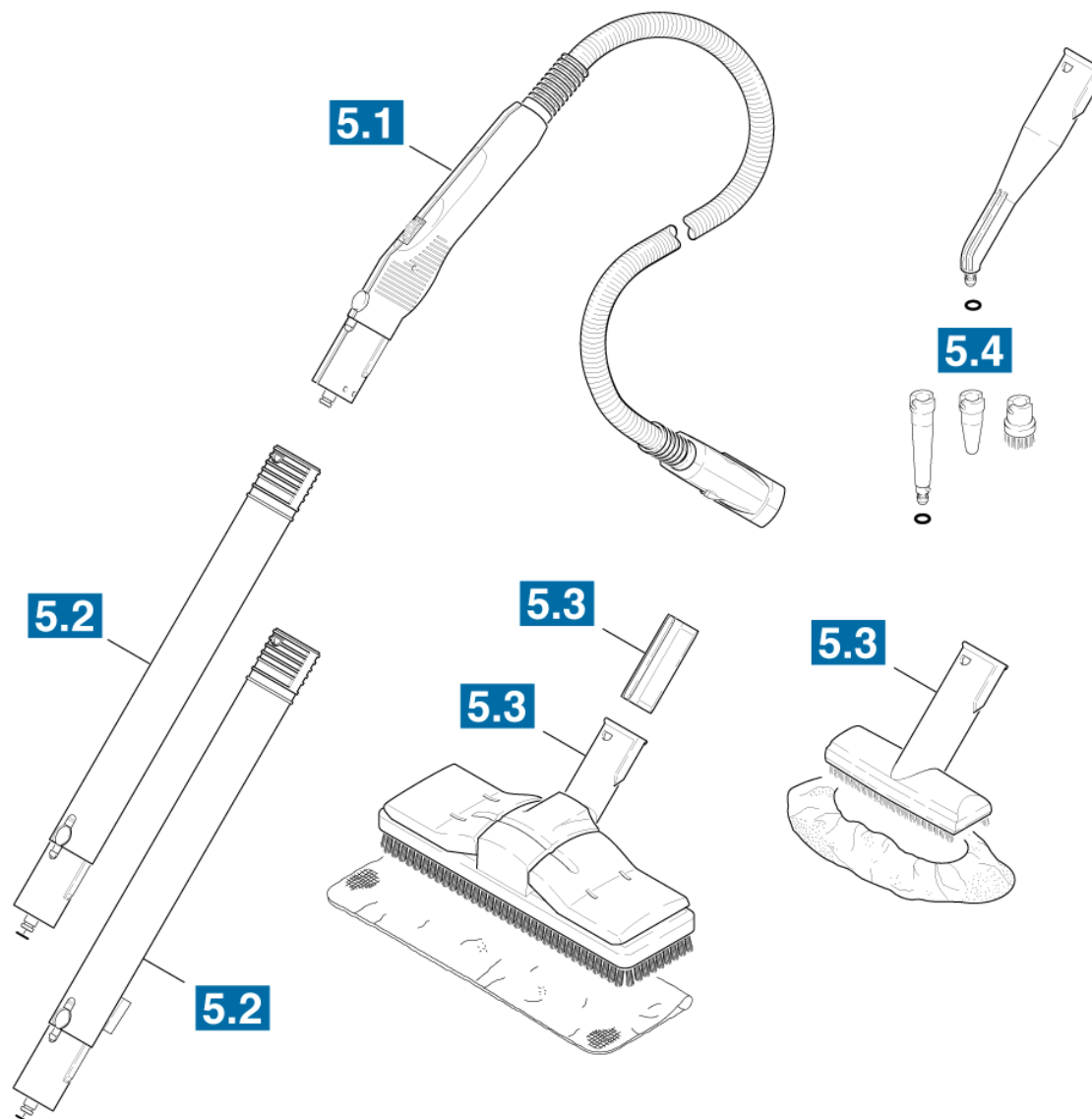
5.2 EXTENSION

5.3 BRUSHES

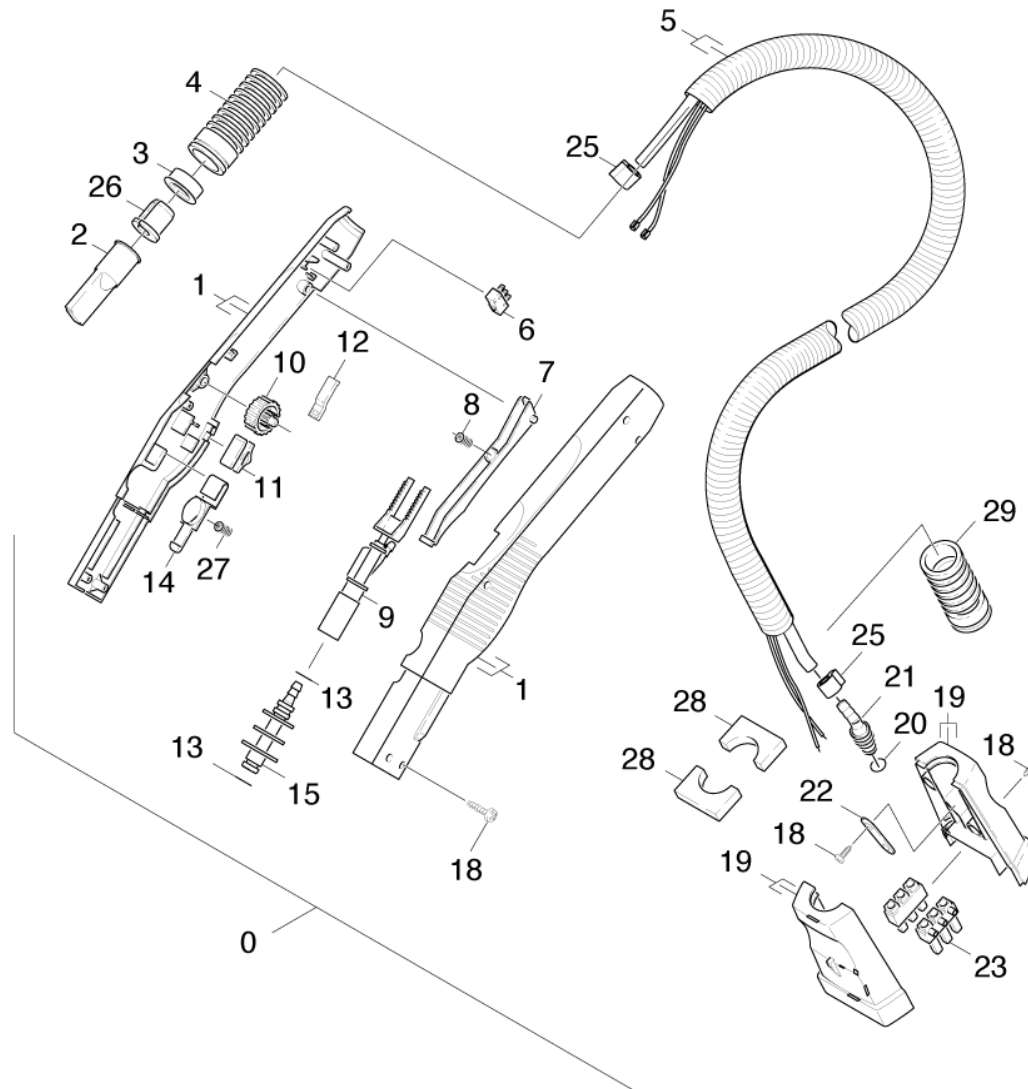
5.4 NOZZLE

5.5 NOZZLE FOR HANGINGS

5.6 WINDOW TOOL



5.1 STEAM HOSE



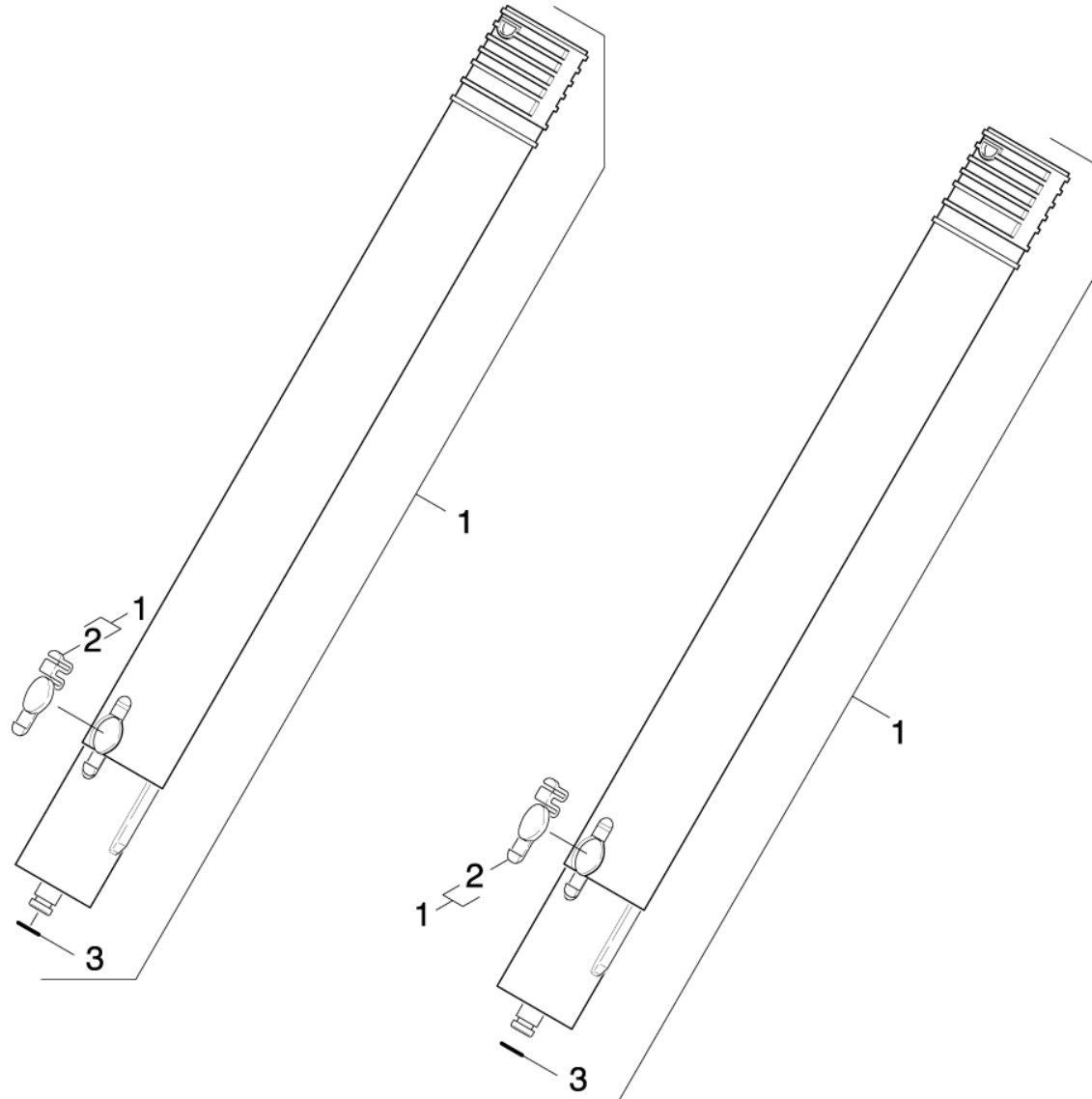
5.1 STEAM HOSE

POS	DESCRIPTION ADDITIONAL INFORMATIONS	PART NO	QTY.	FROM SER.NR.	UP TO SER. NR.
0	Steam hose complete grey RAL 7004 GREY	43210880	1	16374	17174
0	STEAM HOSE BLACK	43211140	1	17175	
1	HANDLE GREY	53215100	1		
1	HANDLES BLACK	53215960	1		
2	DIAPHRAGM	53670240	1		
3	RING	53670250	1		
4	PROTECTION PART GREY	53943740	2		
4	PROTECTION PART BLACK	53945360	2		
5	HOSE GREY	44404800	1		
5	HOSE BLACK	44406030	1		
6	SWITCH	66318020	1		
7	CALIPERS GREY	53240290	1		
7	CALIPERS (Schalter) YELLOW	53240640	1		
8	Pressure spring	53321680	1		
9	VALVE KPL	45803680	1		
10	HAND WHEEL GREY	53220100	1		
10	HAND WHEEL YELLOW	53220140	1		
11	BOLT GREY	50310640	1		
11	BOLT	50324520	1		

5.1 STEAM HOSE

POS	DESCRIPTION ADDITIONAL INFORMATIONS	PART NO	QTY.	FROM SER.NR.	UP TO SER. NR.
	YELLOW				
12	SCREEN	50311250	1		
13	O RING	63629220	2		
14	HOOK	50371020	1		
	GREY				
14	HOOK	50371550	1		
	YELLOW				
15	COUPLING ELEMENT	44710010	1		
	GREY				
15	COUPLING ELEMENT	54711090	1		
	YELLOW				
18	Oval head screw 2,9X 13-ST-VERZ	63030580	10		
19	PLUG (SCHALEN)	50310600	1		
	GREY				
19	PLUG (Schalen)	50327800	1		
	BLACK				
20	GASKET	63629230	1		
21	NIPPLE	54092180	1		
	GREY				
21	NIPPLE	54095150	1		
	BLACK				
22	PULL RELIEF	66475130	1		
23	PLUG ELEMENT	66463250	2		
25	HOSE BAND CLIP	63898840	2		
26	PULL RELIEF	50311230	1		
27	HELICAL SPRING	53323730	1		
28	SEAL	53641740	2		

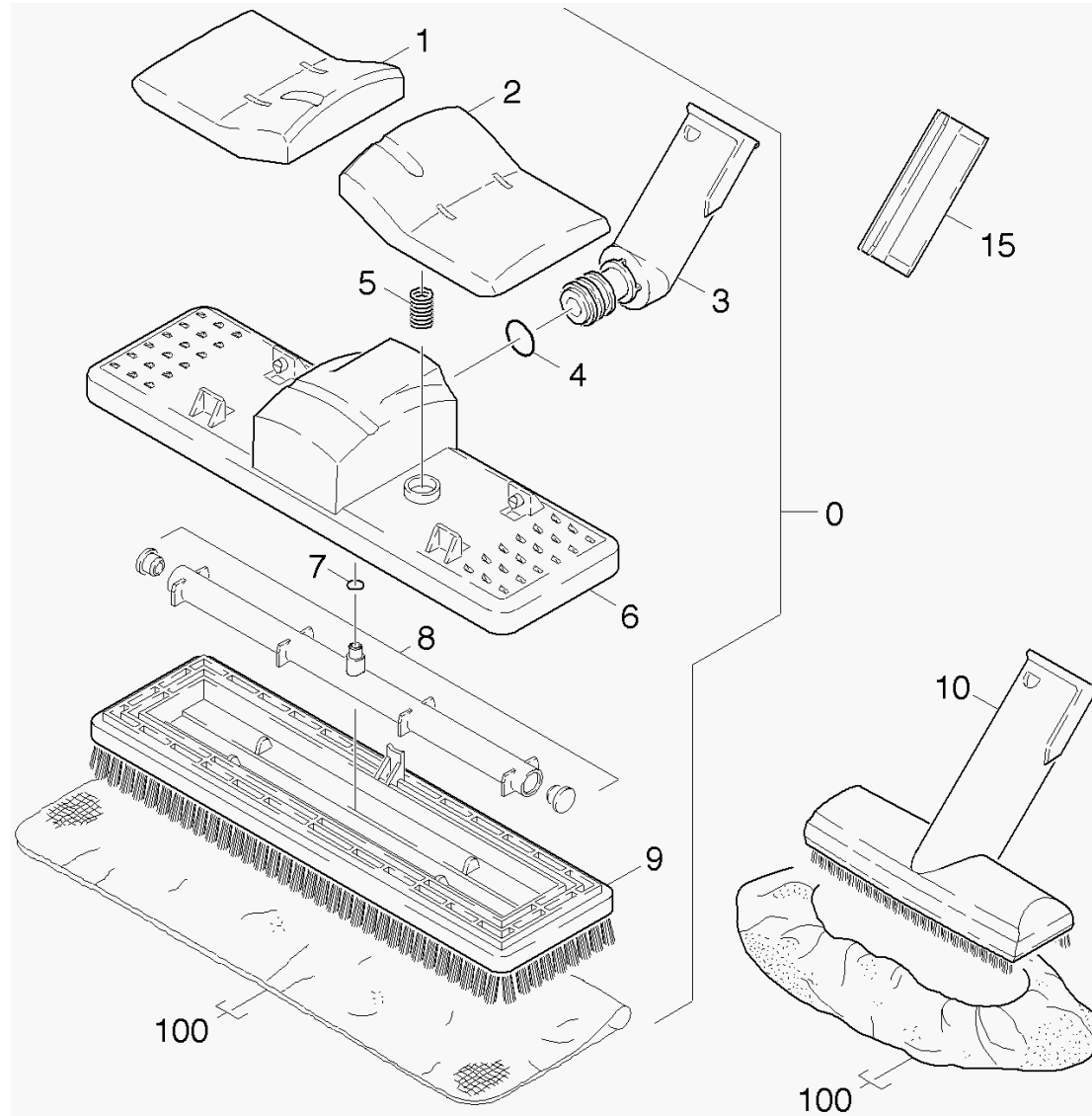
5.2 EXTENSION



5.2 EXTENSION

POS	DESCRIPTION ADDITIONAL INFORMATIONS	PART NO	QTY.	FROM SER.NR.	UP TO SER. NR.
1	EXTENSION TUBE GREY	41270120	2	16374	17174
1	EXTENSION PIPE BLACK/YELLOW	41270190	2	17175	
2	HOOK	50371030	2		
3	O RING	63629220	2		

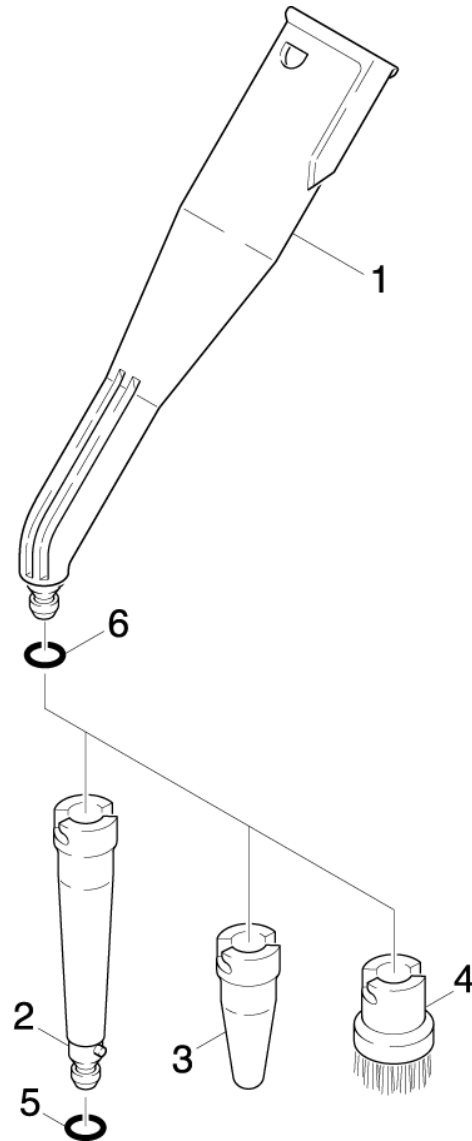
5.3 BRUSHES



5.3 BRUSHES

POS	DESCRIPTION ADDITIONAL INFORMATIONS	PART NO	QTY.	FROM SER.NR.	UP TO SER. NR.
0	Floor tool complete	41301130	1	16374	17174
0	Floor tool complete	41301430	1	17175	
1	BRACKET	50442380	1		
2	BRACKET	50442370	1		
3	ELBOW	54080580	1		
4	GASKET 18,0 X 2,5	63628830	2		
5	Spring	63300160	2		
6	Stockpiling discontinued	77779990	1		
7	GASKET 6,07X 1,78	63628810	1		
8	Nozzle body	57680380	1		
9	Brush insert black	57622370	1		
10	HAND NOZZLE	41301440	1		
15	MOULDED PART	50314670	1		
100	Cloth set	69600190	1		

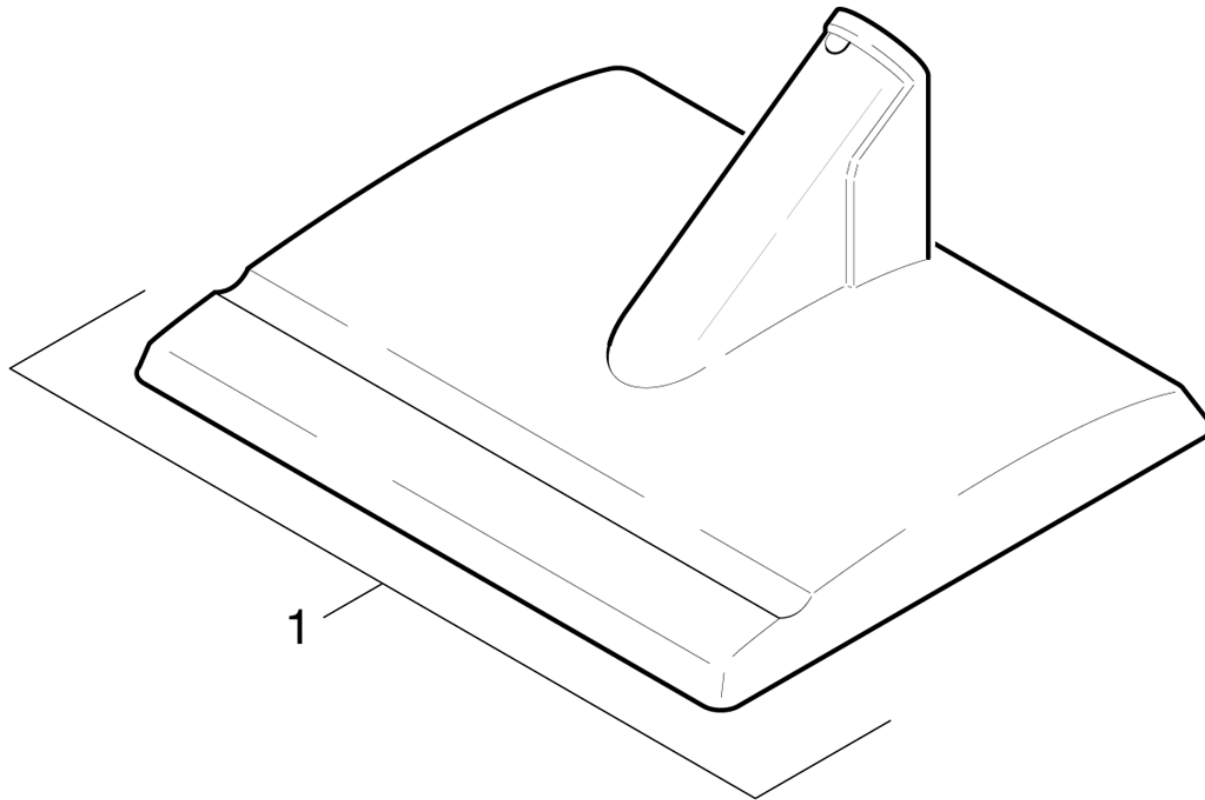
5.4 NOZZLE



5.4 NOZZLE

POS	DESCRIPTION ADDITIONAL INFORMATIONS	PART NO	QTY.	FROM SER.NR.	UP TO SER. NR.
1	NOZZLE	28842810	1	17175	
1	NOZZLE kpl.	41301740	1	16374	17174
2	EXTENSION	57621380	1	16374	17174
2	LENGTHENING PIECE	57622360	1	17175	
3	Power nozzle	57621390	1		
4	Bristle rink set	28630580	1	16374	17174
4	Bristle rink set CuZn BRASS CONSTRUCTION	28630610	1	16374	17174
4	Bristle rink set black CuZn BRASS CONSTRUCTION	28630750	1	17175	
4	Bristle rink set	28630770	1	17175	
5	WASHER	63629240	1		
6	GASKET	63621860	1		

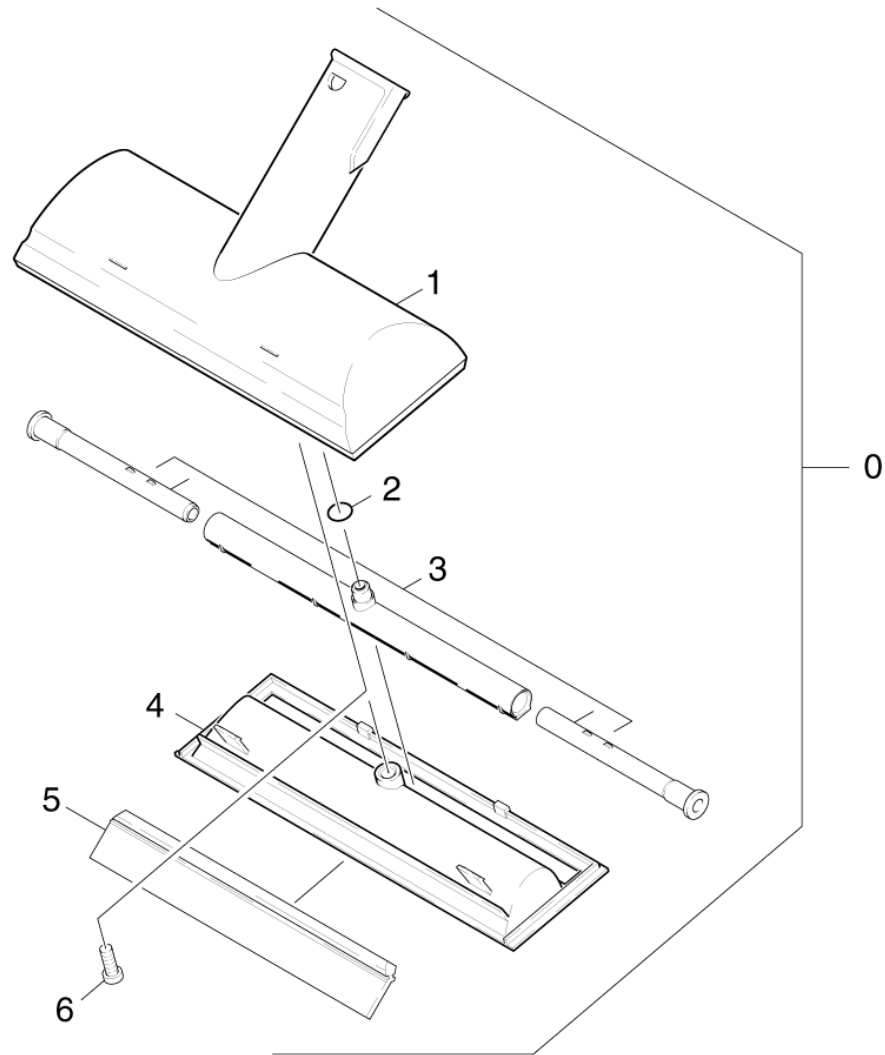
5.5 NOZZLE FOR HANGINGS



5.5 NOZZLE FOR HANGINGS

POS	DESCRIPTION ADDITIONAL INFORMATIONS	PART NO	QTY.	FROM SER.NR.	UP TO SER. NR.
1	NOZZLE FOR PAPER HANGI	28630620	1	16374	17174
1	NOZZLE FOR HANGINGS	28630760	1	17175	

5.6 WINDOW TOOL



5.6 WINDOW TOOL

POS	DESCRIPTION ADDITIONAL INFORMATIONS	PART NO	QTY.	FROM SER.NR.	UP TO SER. NR.
0	Window nozzle GRAU	41301150	1		1
0	Window nozzle black SCHWARZ	41301420	1	2	
1	TOP PART	57680440	1		
2	O RING	63629220	1		
3	Nozzle body only for replacement	47680160	1		
4	BOTTOM	57680360	1		
5	RUBBER LIP	62731400	1		
6	Oval head screw 2,9X 13-ST-VERZ	63030580	1		