



Spare parts list

(10926800) DE 4002 (115V)

(10928010) DE 4002 (110V)

(10928020) DE 4002 120V TORNADO

DE HINWEISE

Weitere Sprachen:

Diese Ersatzteilliste ist in weiteren Sprachen erhältlich. Sie erhalten diese unter www.kaercher.com im Bereich Service.

Mengenangaben:

Die Mengenangaben in der Ersatzteilliste entsprechen den in der Baugruppe verbauten Stückzahlen der Bauteile.

Meterware:

Ersatzteile welche als Meterware geliefert werden sind auf Einbaulänge selbst zu kürzen. Die Stückzahlen sind als Mindestbestellmenge =1m angegeben und müssen je nach Bedarf auf weitere volle Meterzahlen erhöht werden.

Versionen/ Werknummern:

Sind Versionen oder Werknummern in der Ersatzteilliste angegeben, ist anhand dieser vor Bestellung zu prüfen, welches Bauteil für ihr Gerät verwendet werden muss.

Lackierte Teile:

Bei Bestellungen von lackierten Teilen welche in der Ersatzteilliste nicht in verschiedenen Farben ausgewiesen sind, ist zusätzlich die Farbnummer oder Farbe mit anzugeben.

Technische Änderungen:

Technische Änderungen sowie das Recht der ausschließlichen Auswertung unseres geistigen Eigentums behalten wir uns vor.

EN INSTRUCTIONS

Other languages:

This list of spare parts is also available in other languages. You can get this list from www.kaercher.com in the Service division.

Quantity details:

The quantity details in the spare parts list correspond to the number of pieces of the component installed in the assembly group.

Piece goods:

Spare parts that are sold as piece goods are to be cut to the desired length. The quantities have been indicated as minimum order quantity =1m and must be rounded off to the full meter figure depending on your requirements.

Version/ Plant numbers:

If version or plant numbers are mentioned in the spare parts list, then use the same to check before ordering which spare part needs to be used for your appliance.

Painted parts:

While ordering painted parts that are not mentioned in the spare parts list in their colour variations, please mention the colour number or the colour you require.

Technical changes:

We reserve the right to make technical changes as well as the right to exclusive use of our intellectual property.

FR REMARQUES

Autres langues:

Cette liste de pièces de rechange est disponible en autres langues. Cela est disponible sous www.kaercher.com dans le menu Service.

Indications de quantité:

Les indications de quantité dans la liste de pièces de rechange correspondre aux nombres de pièces des composant utilisées dans la construction.

Matériel au mètre:

Les pièces de rechange qui sont livrées au mètre doivent être raccourcies à longueur souhaitée par l'acheteur même. Les nombres des pièces sont indiquées en quantité de commande minimale = 1m et doivent être augmentés selon le besoin à une chiffre de mètre complète.

Versions/ Numéros d'usine:

Lorsqu'il sont indiquées des versions ou des numéros d'usine dans la liste de pièces de rechange, vous devez vérifier que composant doit être utilisé pour votre appareil.

Pièces laquées:

Pour commander des pièces laquées, où les différentes couleurs ne sont pas indiquées dans la liste des pièces de rechange, vous devez indiquer en plus le numéro de la couleur ou seulement la couleur.

Modifications techniques:

Nous nous réservons la possibilité des modifications techniques ainsi le droit d'exploitation exclusive de notre propriété intellectuelle.

IT AVVERTENZE

Altre lingue:

Il presente elenco di parti di ricambio è disponibile sul nostro sito Web anche in altre lingue: unter www.kaercher.com alla voce "Service".

Indicazioni di quantità:

Le indicazioni di quantità riportate dall'elenco "parti di ricambio" corrispondono al numero delle singole componenti contenute nella rispettiva unità.

Merce a metro:

Le parti di ricambio fornite come "merce a metro" devono venire in seguito accorciate alla lunghezza necessaria per il montaggio. La quantità unitaria è indicata come "quantità minima di ordinazione = 1m" e deve all'occorrenza venire moltiplicata per il numero intero di metri necessari.

Versioni / Numeri di fabbricazione:

Quando l'elenco "parti di ricambio" riporta diverse versioni o numeri di fabbricazione, confrontare la versione o il numero di fabbricazione del ricambio desiderato con quelle/i presenti nell'elenco e indicarla/o al momento dell'ordinazione.

Parti di ricambio verniciate:

Nel caso di ricambi verniciati, se l'elenco parti di ricambio non ne riporta espressamente i diversi colori, al momento dell'ordinazione è necessario indicare anche il colore o il numero del colore desiderato.

Modifiche tecniche:

Ci riserviamo il diritto di apportare modifiche tecniche così come il diritto di utilizzo esclusivo della nostra proprietà intellettuale.

ES INDICACIONES

Otros idiomas:

La lista de piezas de repuesto se puede adquirir en otros idiomas. La puede adquirir en www.kaercher.com en el área de servicios.

Cantidades:

Las indicaciones de cantidades de la lista de piezas de repuesto corresponden al número de piezas montadas en el componente.

Mercancía por metros:

Las piezas de repuesto que se suministran por metros se pueden cortar al largo deseado. La unidad mínima de pedido es de = 1 m y el número de metros completos se puede aumentar según necesidad.

Versiones/números de fábrica:

Si se indica la versión o número de fábrica en la lista de piezas de repuesto, se debe comprobar en ella la pieza a usar para su aparato antes de realizar el pedido.

Piezas lacadas:

Al realizar pedidos de piezas lacadas que no estén indicadas en los diferentes colores en la lista de piezas de repuesto, se debe indicar también la referencia del color o el color.

Modificaciones técnicas:

Reservados los derechos de realizar modificaciones técnicas y aprovechar nuestra propiedad intelectual.

PL WSKAZÓWKI

Pozostałe języki:

Ta lista części zamiennych jest dostępna w także w innych językach. Mogą ją Państwo pobrać ze strony www.kaercher.com w dziale Serwis.

Dane ilości:

Dane ilości podane w liście części zamiennych odpowiadają liczbie sztuk podzespołów tworzących dany moduł.

Towar sprzedawany na metry:

Części zamienne dostarczane jako towar sprzedawany na metry po zamontowaniu należy samodzielnie skrócić do potrzebnej długości. Liczba sztuk podana jest jako minimalna ilość zamówienia =1m i w zależności od potrzeb zwiększa się ją o kolejne pełne metry.

Wersje/ Numer zakładu:

Jeżeli w liście części zamiennych podane są wersje lub numery zakładu, przed zamówieniem na ich podstawie należy sprawdzić, który podzespół stosuje się w Państwa urządzeniu.

Części lakierowane:

W przypadku zamówień części lakierowanych, które w liście części zamiennych nie podano w wielu kolorach, należy dodatkowo zaznaczyć nr koloru lub kolor.

Zmiany techniczne:

Zastrzegamy sobie prawo do zmian technicznych oraz wyłącznego wykorzystywania naszej własności intelektualnej.

CONTENT LIST

1.0 APPLIANCE - PIECE PARTS

- 1.1 APPLIANCE TOP PART
- 1.2 APPLIANCE BOTTOM

2.0 STEAM DRUM

3.0 WATER TANK

- 3.1 WATER TANK
- 3.2 VIBRATING PISTON PUMP

4.0 ACCESSORIES

- 4.1 CONNECTION HOSE
- 4.2 EXTENSION PIPE
- 4.3 HAND NOZZLE
- 4.4 FLOOR TOOL
- 4.5 WINDOW TOOL

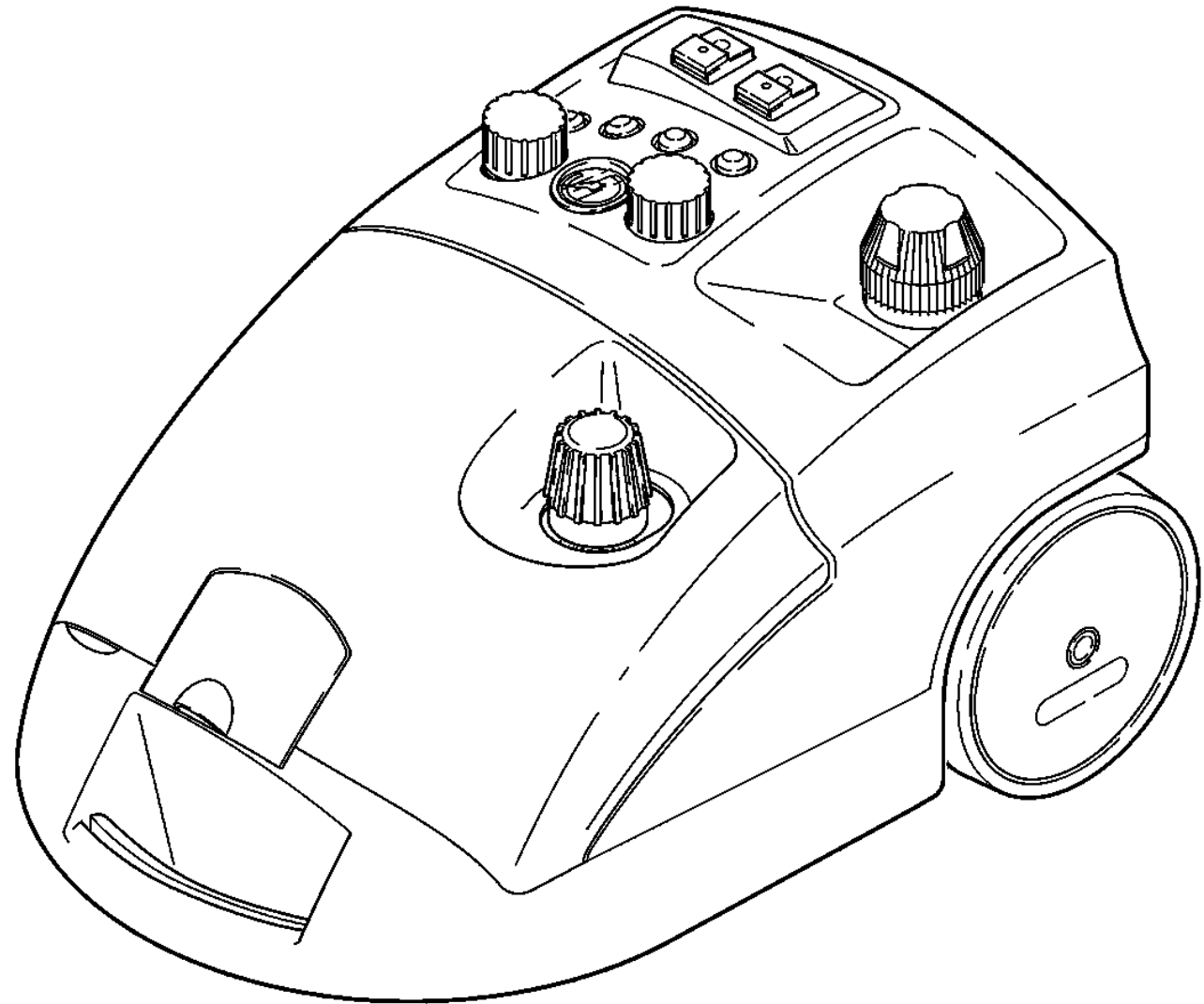
5.0 ACCESSORIES

KUNSTSTOFF

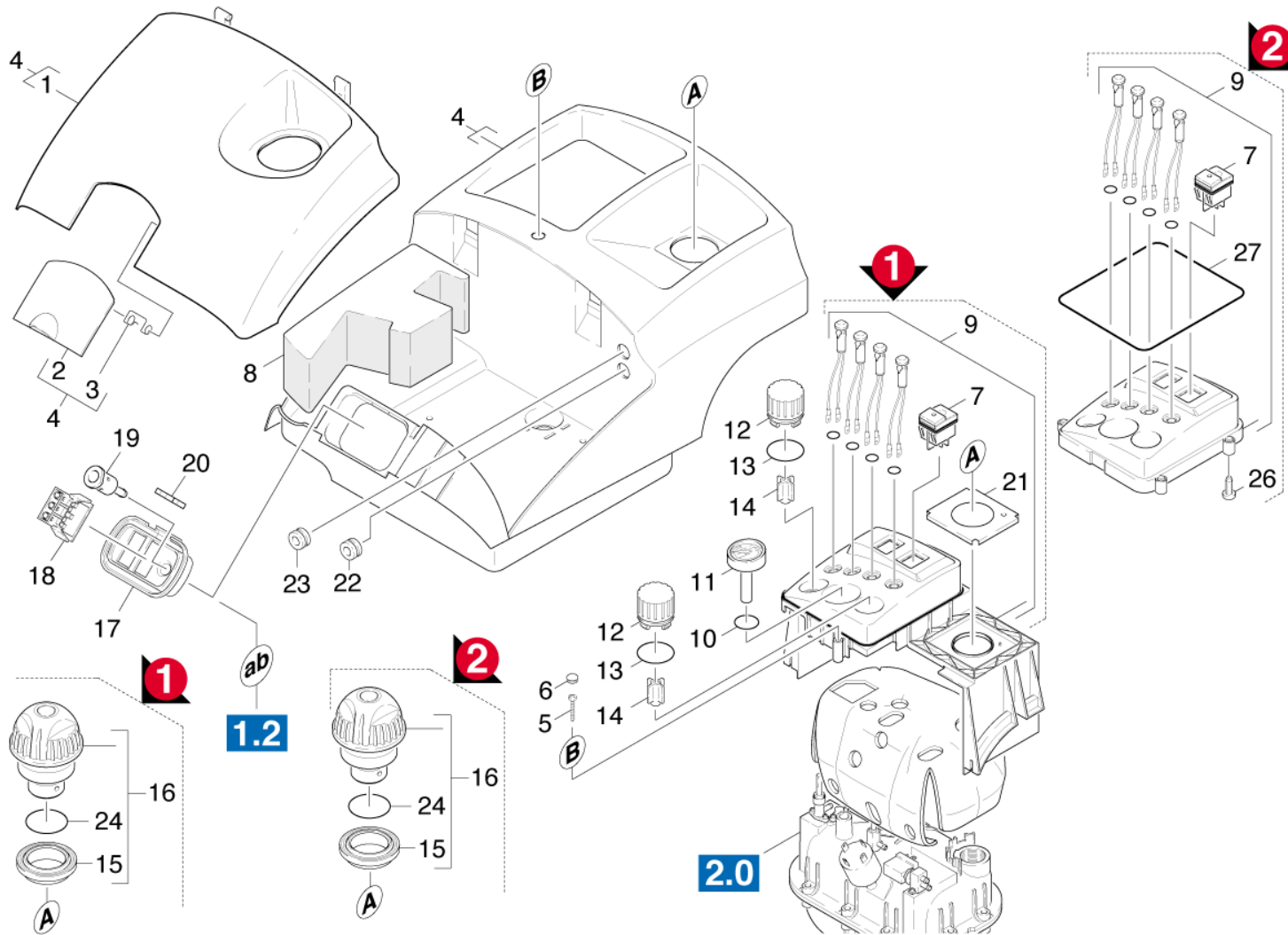
- 5.1 STEAM HOSE
- 5.2 EXTENSION
- 5.3 BRUSHES
- 5.4 NOZZLE
- 5.5 NOZZLE FOR HANGINGS
- 5.6 WINDOW TOOL

1.0 APPLIANCE - PIECE PARTS

1.1 APPLIANCE TOP PART
1.2 APPLIANCE BOTTOM



1.1 APPLIANCE TOP PART



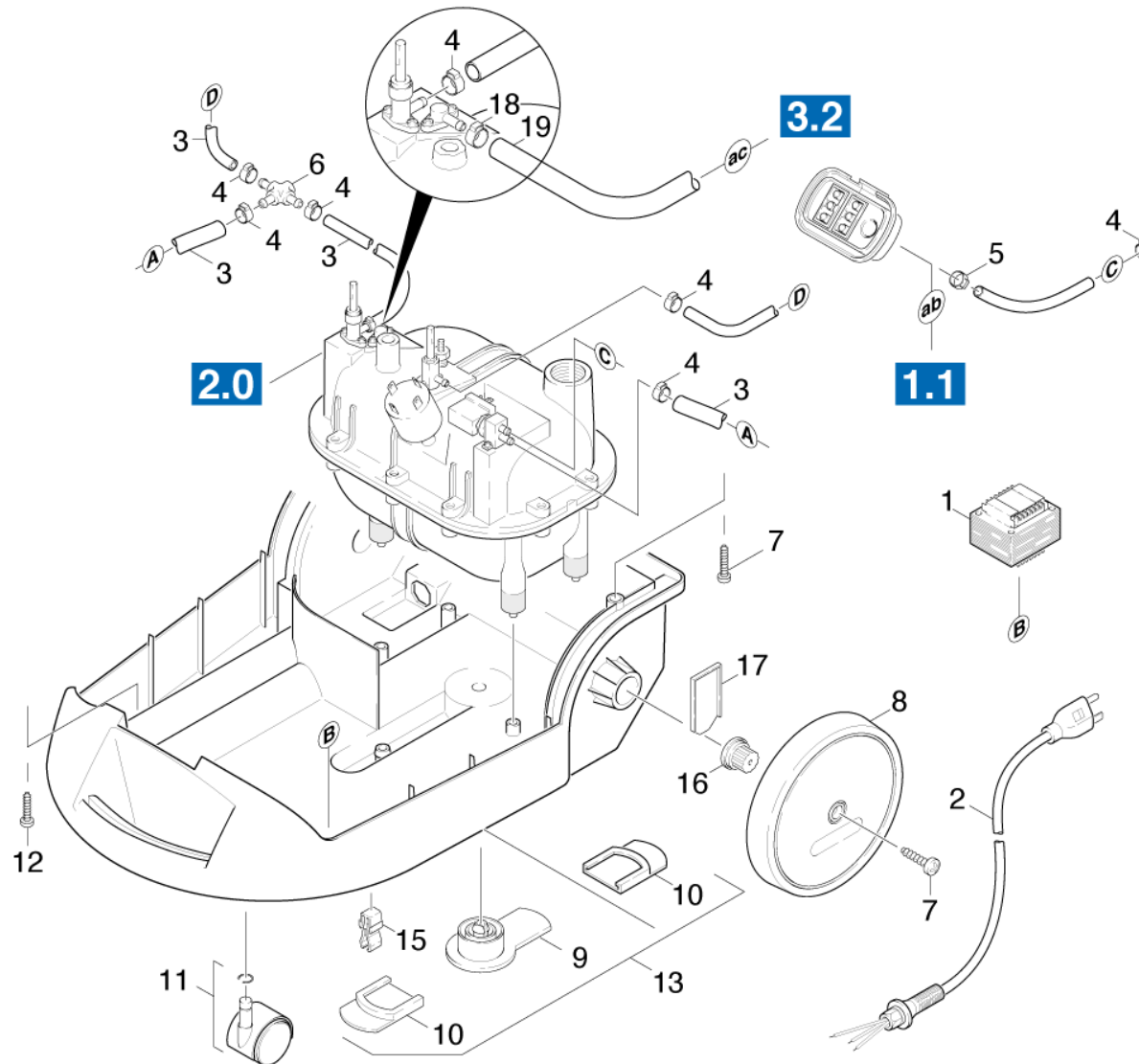
1.1 APPLIANCE TOP PART

POS	DESCRIPTION ADDITIONAL INFORMATIONS	PART NO	QTY.	FROM SER.NR.	UP TO SER. NR.
1	Cover / 1.092-680.0 / -801.0	50668240	1		
1	COVER TORNADO / 1.092-802.0	50671440	1		
2	Cover	50637240	1		
3	Rotaring spring cover	53323430	1		
4	HOUSING / 1.092-680.0 / -801.0	40662250	1		
4	HOUSING SATZ / 1.092-802.0	40662810	1		
4	HOUSING / 1.092-680.0 / -801.0 FOR SWITCHDESK V2	40663070	1	27776	
5	Screw 5x25-IN6RD	63032000	1		1
6	Cap	50314050	1		
7	SWITCH	66319890	2		
8	INSERT	50313750	1		
9	SWITCH DESK KPL.	48400120	1		1
9	SWITCH DESK KPL.	48400160	1	2	
10	GASJKET	63624110	1		
11	THERMOSTAT GAUGE	64230640	1		
12	KNOB	53215290	2		
13	O RING	63625220	2		
14	HANDLE	53214850	2		
15	Seal	53633710	1		1
15	Seal	53635370	1	2	
16	SAFETY LOCK	45900860	1		
17	SOCKET	50312620	1		
18	Plug socket element black	66001050	2		
19	NIPPLE	54095140	1		
20	SEAL	53633640	1		
21	Sheet metal component	50473520	1		1

1.1 APPLIANCE TOP PART

POS	DESCRIPTION	PART NO	QTY.	FROM SER.NR.	UP TO SER. NR.
	ADDITIONAL INFORMATIONS				
22	BUSH	66414020	1		
23	CABLE GLAND	66478810	1		
24	GASKET	63629270	1		
25	HEAT MASTER PASTE	62801750	1		
26	Screw 4x 12-ST-10.9-R2R (IN6RD)	73030950	4	2	
27	Seal	53633470	1	2	

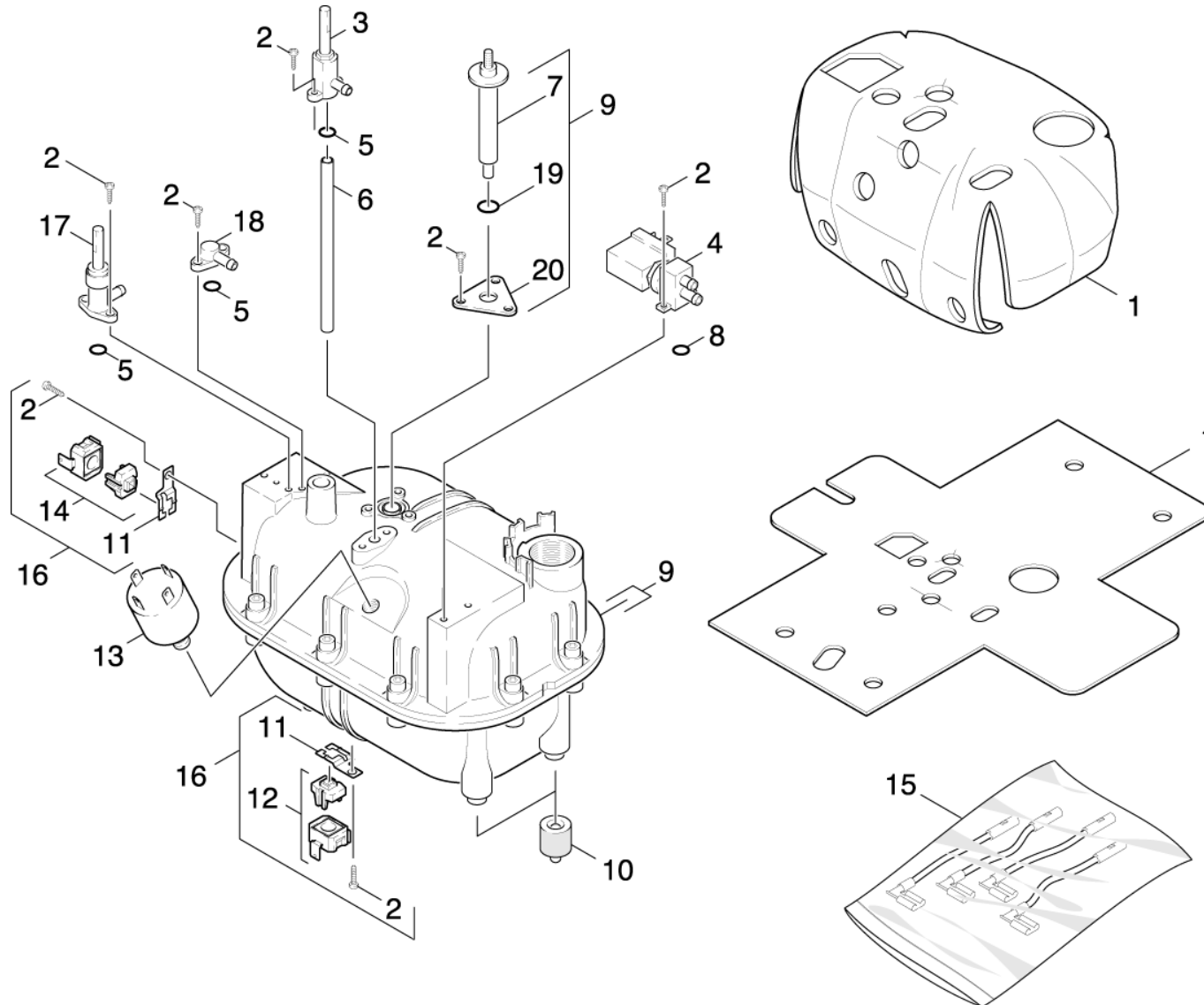
1.2 APPLIANCE BOTTOM



1.2 APPLIANCE BOTTOM

POS	DESCRIPTION ADDITIONAL INFORMATIONS	PART NO	QTY.	FROM SER.NR.	UP TO SER. NR.
1	TRANSFORMER	66222070	1		
2	CABLE M.STECK. 120V	66477910	1		
3	Hose 4x1,5 TO ORDER AS CUT GOODS	63898620	1		
4	HOSE BAND CLIP	63899930	7		
5	Hose clip 8,5-10,0	63898820	1		
6	T-Piece	69060230	1		
7	Screw 5x25-IN6RD	63032000	4		
8	RUNNING WHEEL	55151080	2		
9	LEVER	54812060	1		
10	EXTENSION HEBEL	54812000	2		
11	CASTOR	64352500	1		
12	SCREW	63032740	2		
13	HOUSING KIT BLACK	40662460	1		
15	CLAMP	53324170	2		
16	COUNTER HOLDER	50314340	2		
17	PLATE	50031430	2		
18	HOSE BAND CLIP	63901620	1		
19	HOSE	69060240	1		

2.0 STEAM DRUM

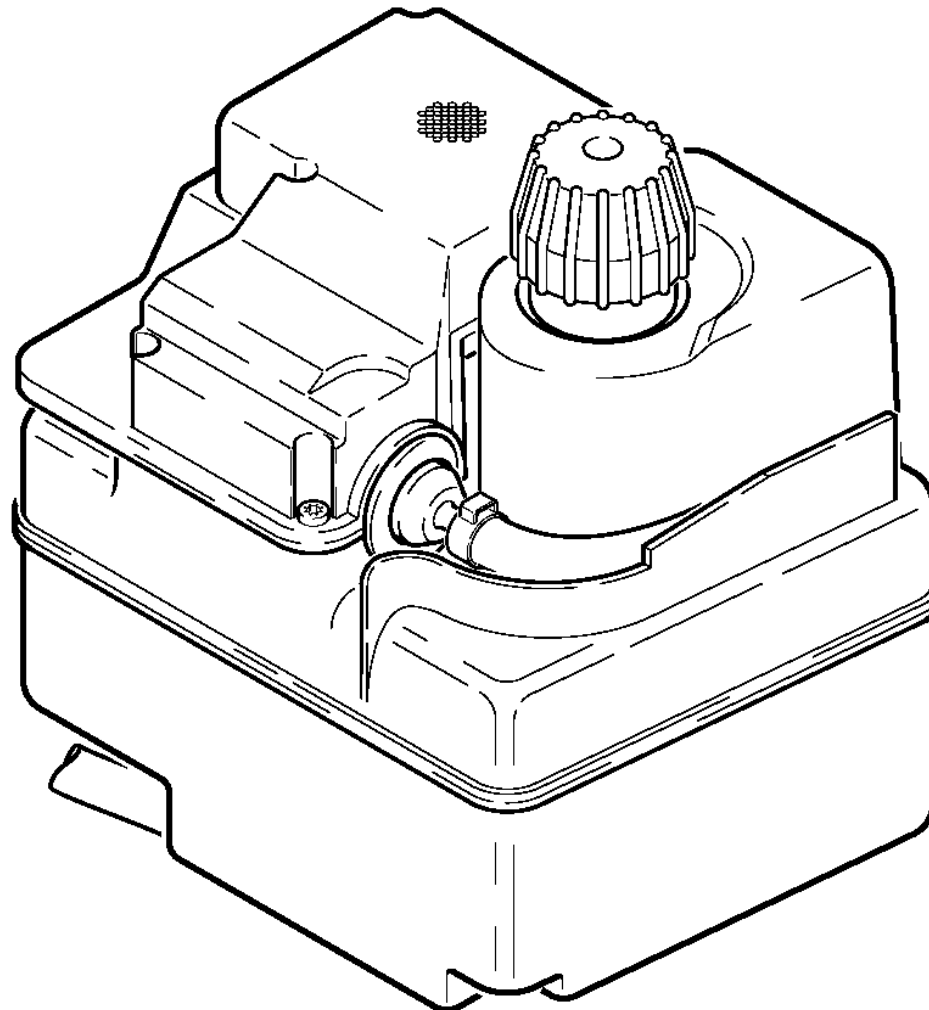


2.0 STEAM DRUM

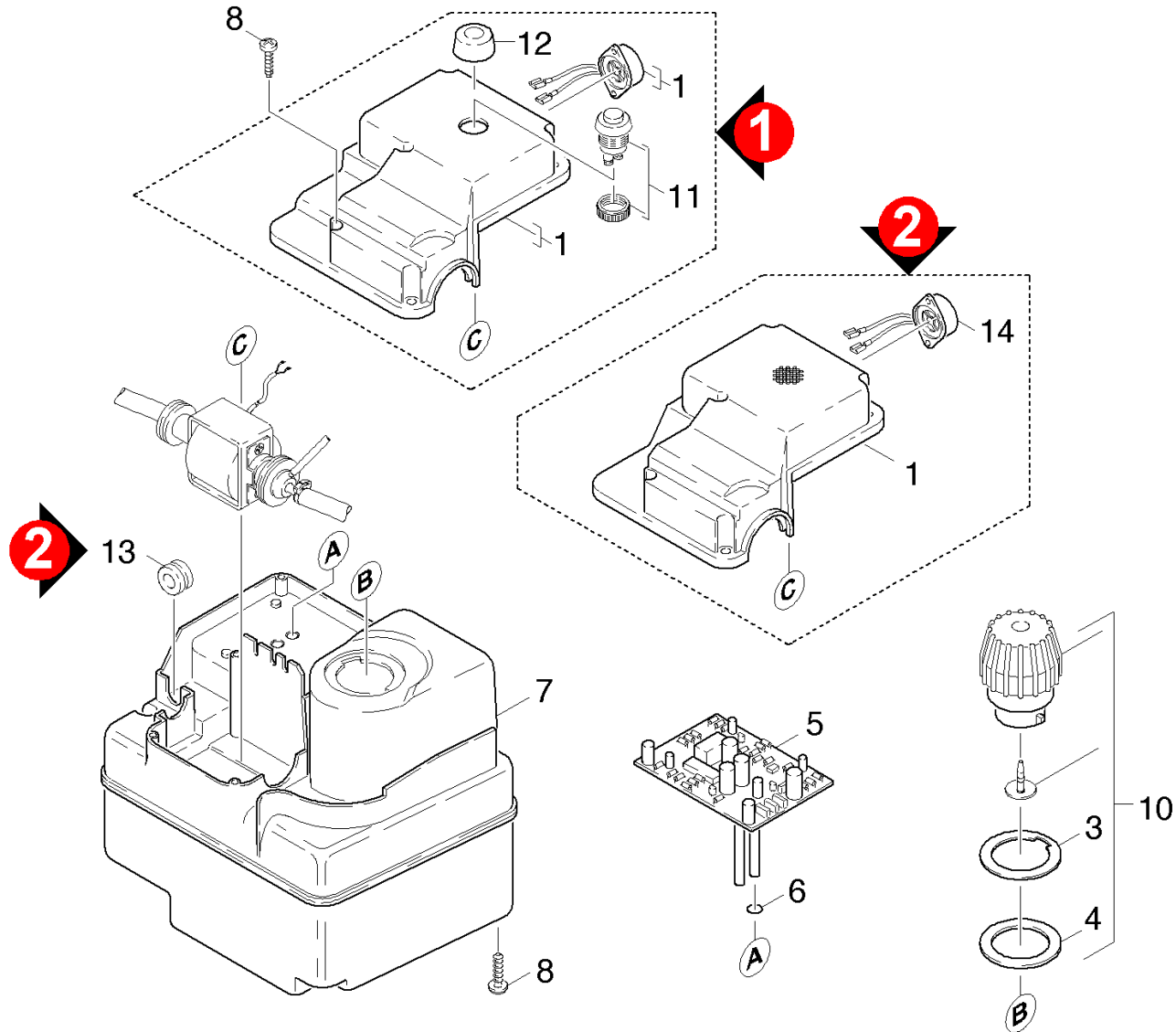
POS	DESCRIPTION ADDITIONAL INFORMATIONS	PART NO	QTY.	FROM SER.NR.	UP TO SER. NR.
1	INSULATION K1501/1701	56731190	1		
2	Screw M4x12 -St-R2R (In6Rd)	73030320	13		
3	VALVE	66860060	1		
4	VALVE	66860080	1		
5	GASKET	63621860	3		
6	PIPE	50287650	1		
7	PROBE	51071780	1		16833
7	PROBE	51072040	1	16834	
8	GASKET	63626330	1		
9	COOKING VESSEL	40702920	1		16833
9	COOKING VESSEL	40703330	1	16834	
10	RUBBER BUFFER	57670060	4		
11	BRACKET	50481400	2		16833
11	BRACKET	50481400	2	16834	
12	LOW WATER CUT OUT	66319910	1		
13	Pressure controller	64122800	1		
14	THERMOSTAT	66319900	1		
15	CABLE SET REPERATUR	66486400	1		
16	Spare parts set thermostat	47441100	1		
17	VALVE	66860660	1		
18	ANGLE PIECE	54025800	1		
19	GASKET 9,75 X 1,78	63630040	1		16833
19	GASKET	63630320	1	16834	
20	Plate holder probe	50019060	1	16834	

3.0 WATER TANK

3.1 WATER TANK
3.2 VIBRATING PISTON PUMP



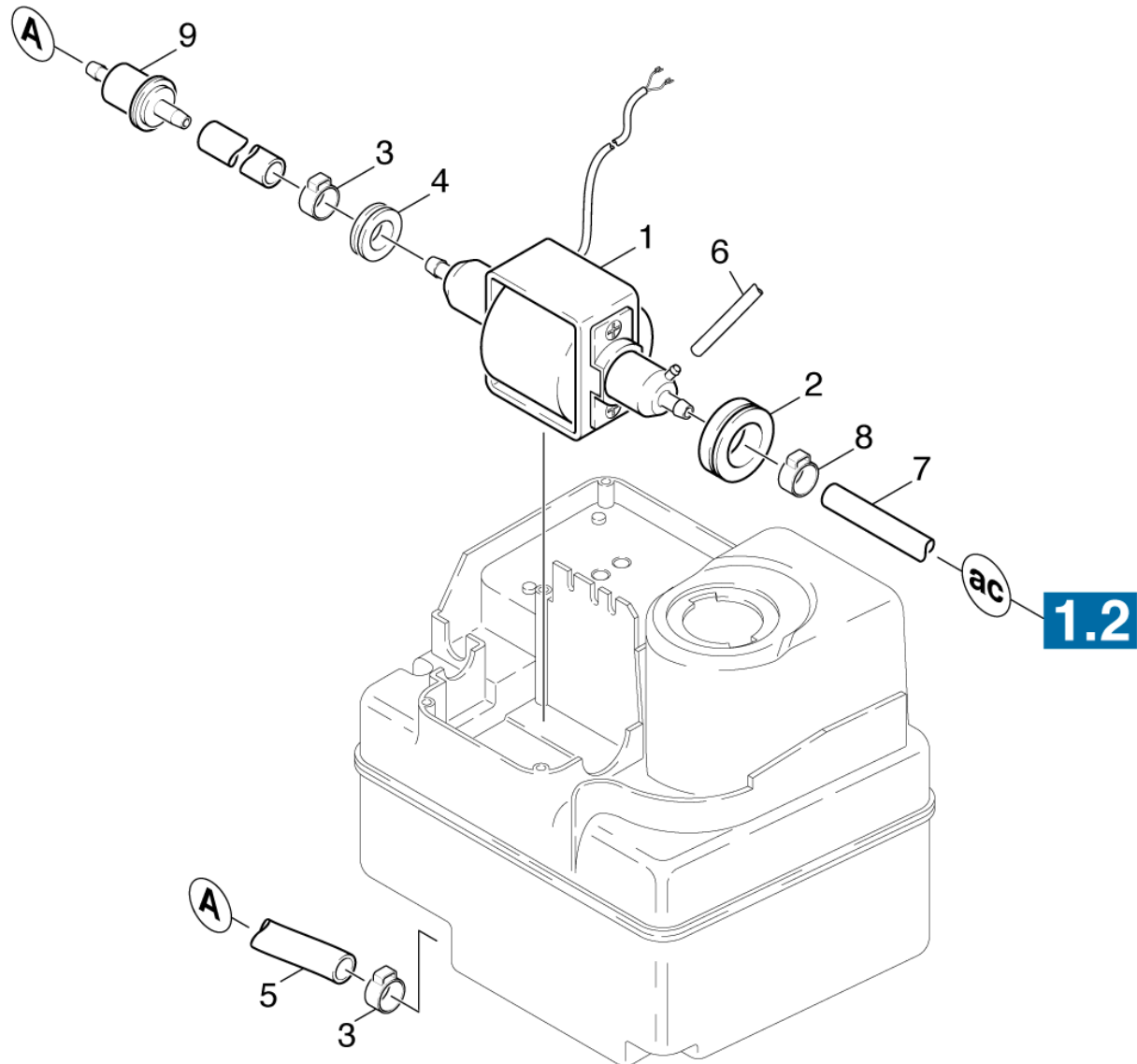
3.1 WATER TANK



3.1 WATER TANK

POS	DESCRIPTION ADDITIONAL INFORMATIONS	PART NO	QTY.	FROM SER.NR.	UP TO SER. NR.
1	Cover complete	40636010	1		16833
1	COVER	50638370	1	16834	
3	WASHER	51156960	1		
4	Joint ring 40	53633680	1		
5	Electronics	48391860	1		16833
5	Electronics	48392270	1	16834	
6	O RING	63624010	2		
7	Tank	50702060	1		16833
7	TANK	50705150	1	16834	
8	SCREW	63032700	7		
10	Closure box	40750100	1		
11	Push button one-pole	66300470	1		16833
12	RUBBER CAP	63681220	1		16833
13	BUSH	66414020	1	16834	
14	SENDER	64240190	1	16834	

3.2 VIBRATING PISTON PUMP



3.2 VIBRATING PISTON PUMP

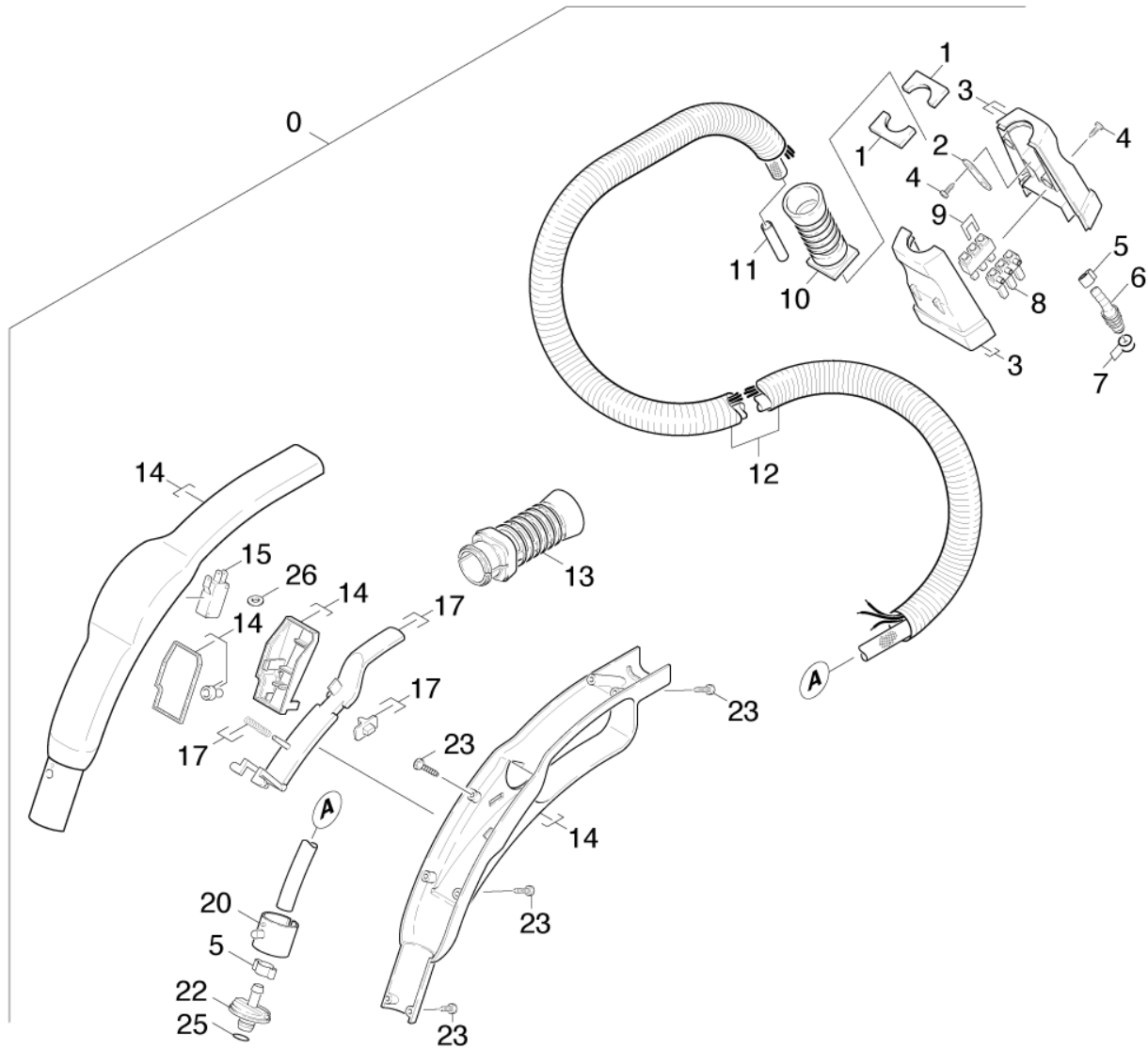
POS	DESCRIPTION ADDITIONAL INFORMATIONS	PART NO	QTY.	FROM SER.NR.	UP TO SER. NR.
1	MOTOR-DRIVEN PUMP 120V	64733780	1		
2	Joint ring 30	53633650	1		16833
2	Joint ring 30	53634320	1	16834	
3	HOSE BAND CLIP	63899930	2		
4	Joint ring 21	53633660	1		
5	Hose 4x1,5 TO ORDER AS CUT GOODS	63898620	1		
6	HOSE TO ORDER AS CUT GOODS	63897990	1		16833
6	HOSE TO ORDER AS CUT GOODS	63902870	1	16834	
7	HOSE	69060240	1		
8	HOSE BAND CLIP	63901620	1		
9	Filter fine dust	64144390	1	16834	

4.0 ACCESSORIES

- 4.1 CONNECTION HOSE
- 4.2 EXTENSION PIPE
- 4.3 HAND NOZZLE
- 4.4 FLOOR TOOL
- 4.5 WINDOW TOOL



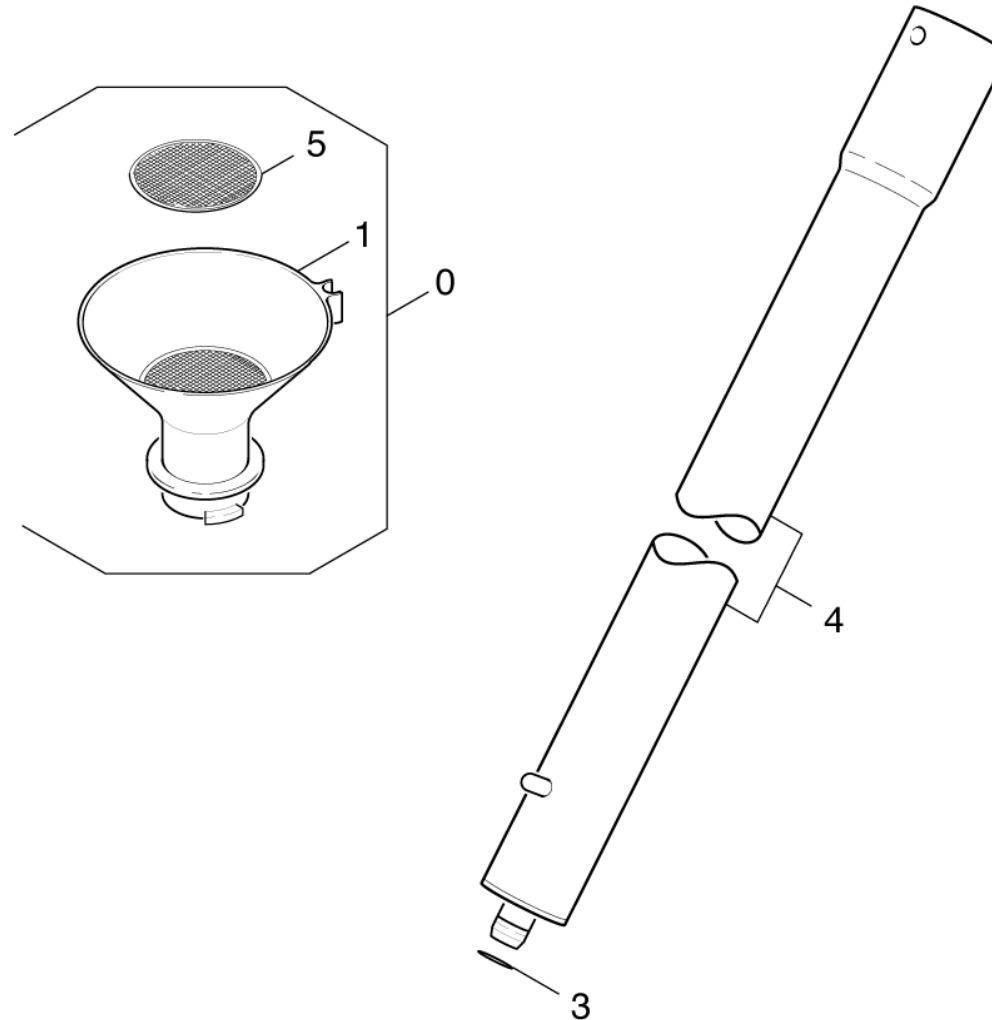
4.1 CONNECTION HOSE



4.1 CONNECTION HOSE

POS	DESCRIPTION ADDITIONAL INFORMATIONS	PART NO	QTY.	FROM SER.NR.	UP TO SER. NR.
0	Steam hose with pistol	43210920	1		
1	SEAL	53641990	2		
2	PULL RELIEF	66475130	1		
3	PLUG (SCHALEN)	50313690	1		
5	HOSE BAND CLIP	63901620	2		
6	NIPPLE	54092180	1		
7	GASKET	63629230	2		
8	PLUG ELEMENT	66463250	2		
9	Brigde	66475990	1		
10	PROTECTION PART	53944000	1		
11	INSULATING HOSE	54400850	1		
12	HOSE KPL.	69622430	1		
13	PROTECTION PART	69622440	1		
14	HANDLES	69622450	1		
15	MICRO SWITCH	69622460	1		
17	CALIPERS	69622470	1		
20	LOCKING PART	69622490	1		
22	NIPPLE	69620960	1		
23	SCREW	69621710	7		
25	GASKET	69621060	1		
26	WASHER A 3,2	73120150	1		

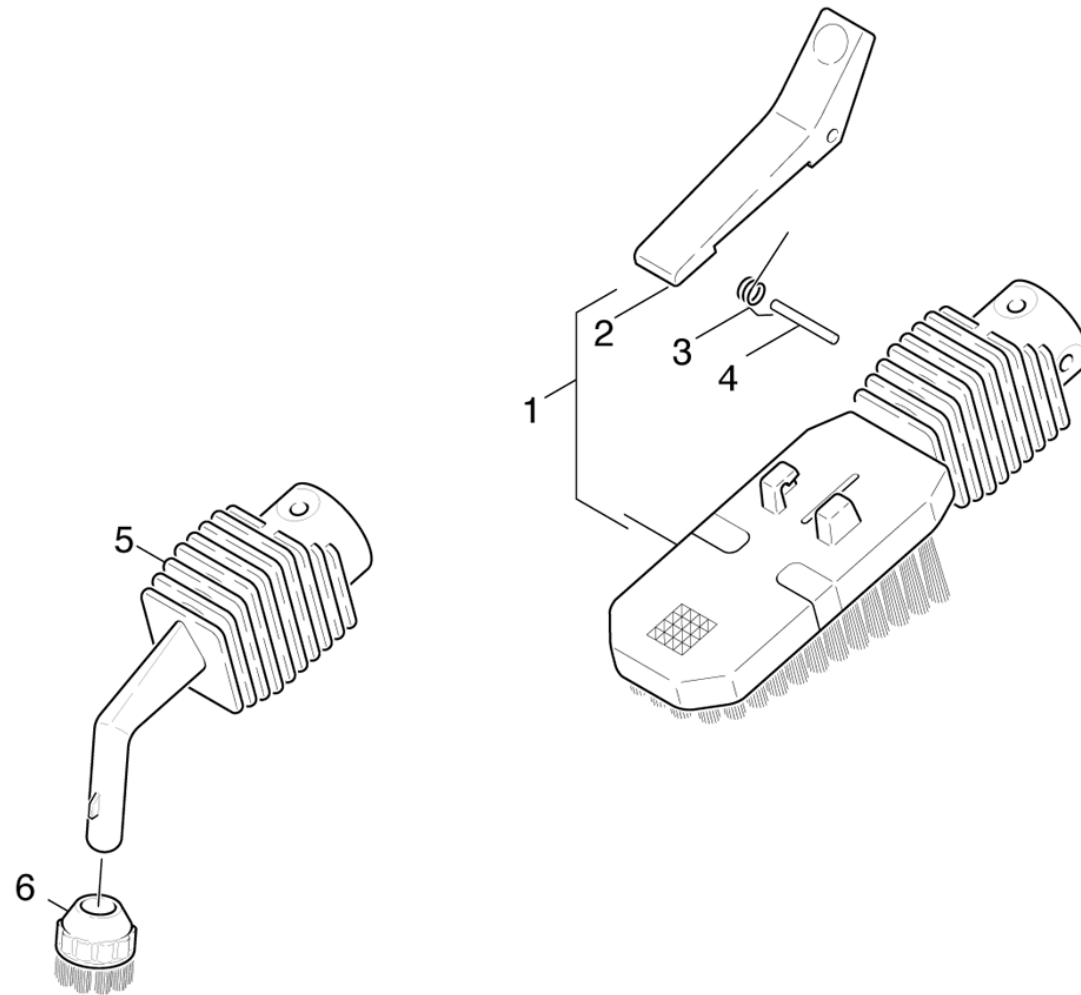
4.2 EXTENSION PIPE



4.2 EXTENSION PIPE

POS	DESCRIPTION ADDITIONAL INFORMATIONS	PART NO	QTY.	FROM SER.NR.	UP TO SER. NR.
1	FUNNEL DE 4002	40130300	1		
3	GASKET	69621060	2		
4	EXT TUBE	69620020	2		
5	FILTER CARTRIDGE	57315900	1		

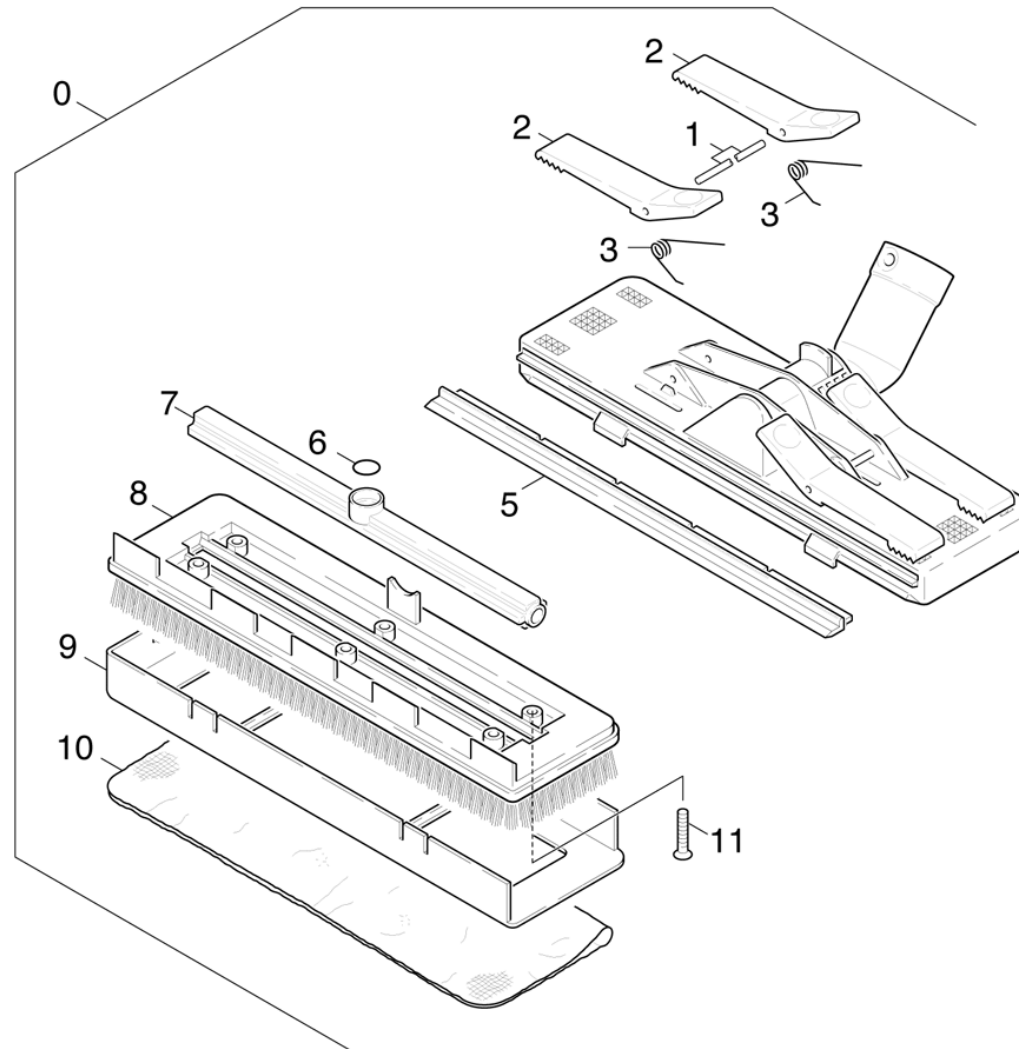
4.3 HAND NOZZLE



4.3 HAND NOZZLE

POS	DESCRIPTION ADDITIONAL INFORMATIONS	PART NO	QTY.	FROM SER.NR.	UP TO SER. NR.
1	HAND NOZZLE	69620050	1		
2	BINDER	69621070	1		
3	Spring	69621080	1		
4	Bolt	69621090	1		
5	NOZZLE	69620060	1		
6	BRUSH ROUND (PACK OF 5)	69620190	1		

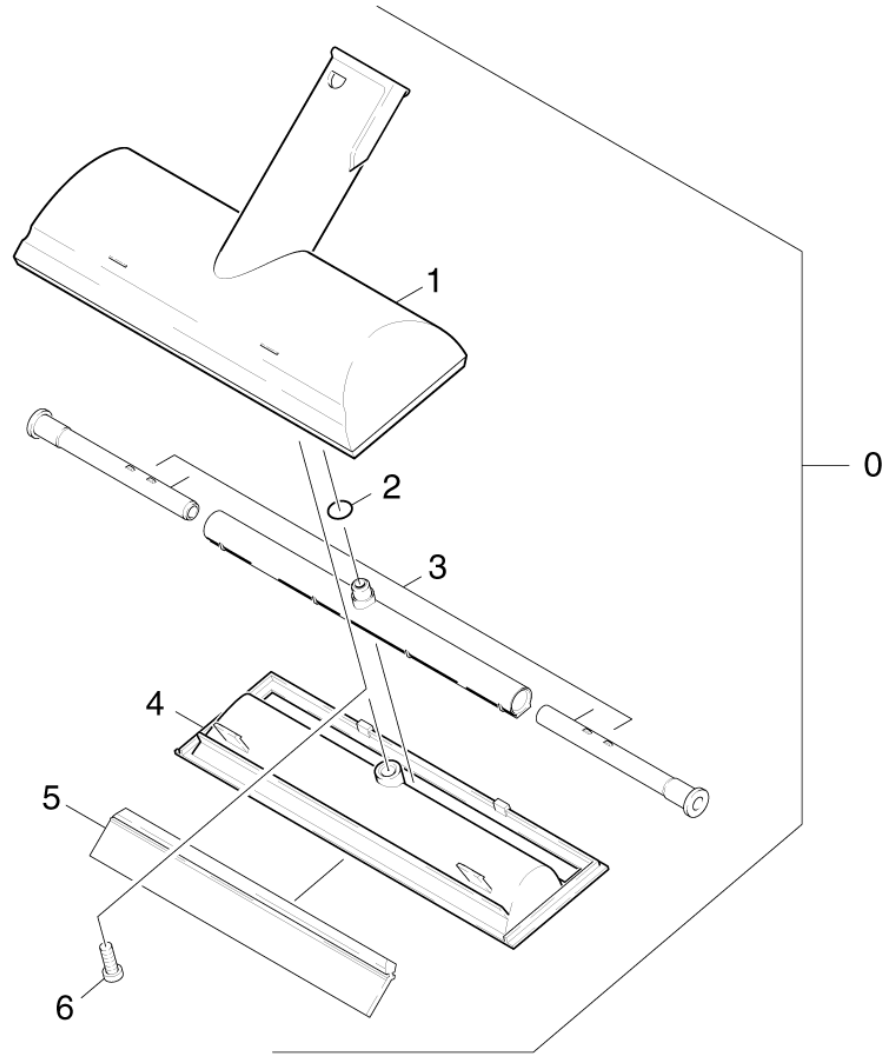
4.4 FLOOR TOOL



4.4 FLOOR TOOL

POS	DESCRIPTION ADDITIONAL INFORMATIONS	PART NO	QTY.	FROM SER.NR.	UP TO SER. NR.
0	Floor tool	69620040	1		
1	Bolt	69620930	2		
2	BINDER	69621070	4		
3	Spring	69621080	4		
5	RUBBER LIP	69621130	1		
6	GASKET	69621140	1		
7	Strip nozzle	69621160	1		
8	BRUSH INSERT	69621150	1		
9	ADAPTOR	69620100	1		
10	CLOTH	69620250	1		
11	SCREW 3,5X19	69622100	6		

4.5 WINDOW TOOL



4.5 WINDOW TOOL

POS	DESCRIPTION ADDITIONAL INFORMATIONS	PART NO	QTY.	FROM SER.NR.	UP TO SER. NR.
0	Window nozzle GRAU	41301150	1		1
0	Window nozzle black SCHWARZ	41301420	1	2	
1	TOP PART	57680440	1		
2	O RING	63629220	1		
3	Nozzle body only for replacement	47680160	1		
4	BOTTOM	57680360	1		
5	RUBBER LIP	62731400	1		
6	Oval head screw 2,9X 13-ST-VERZ	63030580	1		

5.0 ACCESSORIES

KUNSTSTOFF

5.1 STEAM HOSE

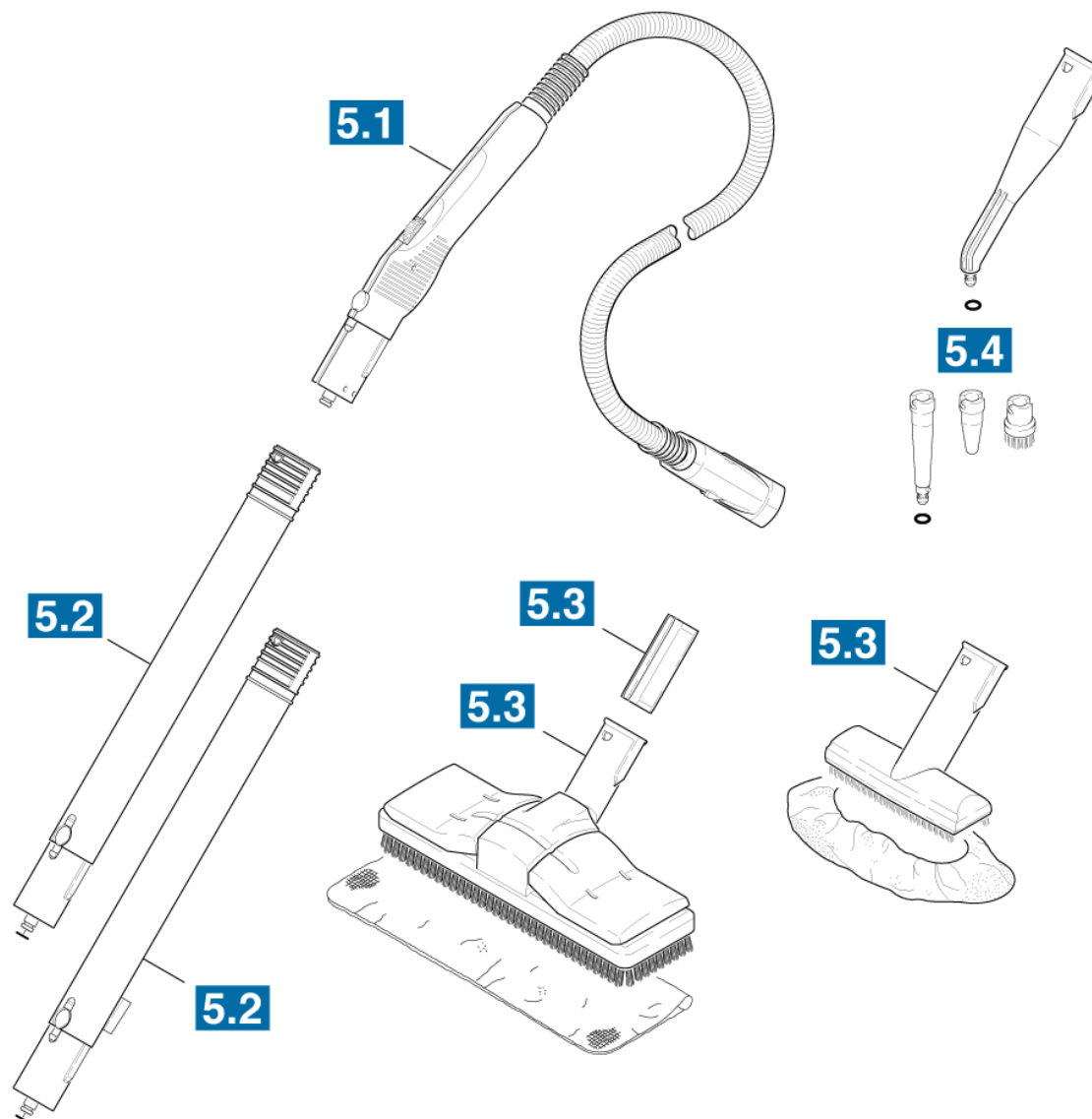
5.2 EXTENSION

5.3 BRUSHES

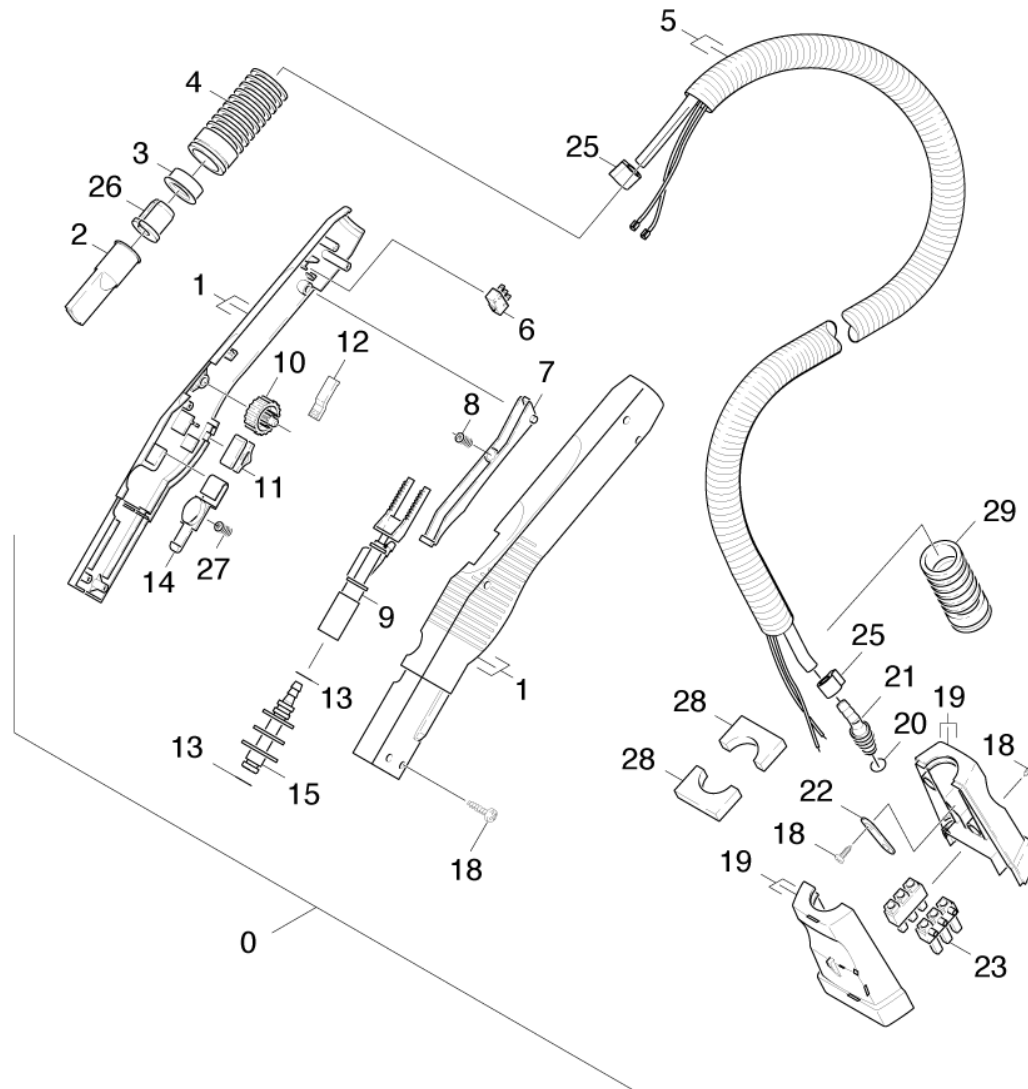
5.4 NOZZLE

5.5 NOZZLE FOR HANGINGS

5.6 WINDOW TOOL



5.1 STEAM HOSE



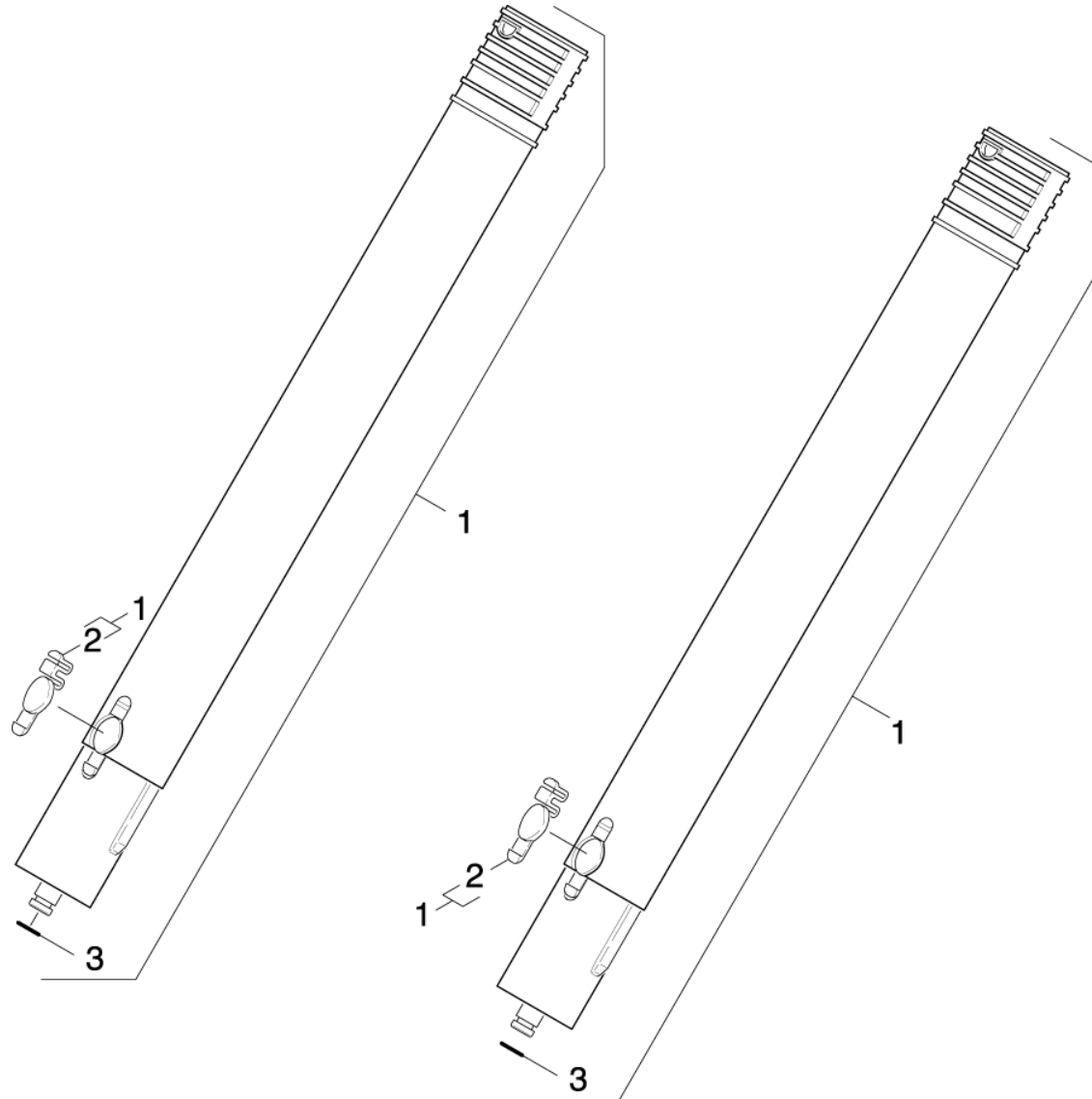
5.1 STEAM HOSE

POS	DESCRIPTION ADDITIONAL INFORMATIONS	PART NO	QTY.	FROM SER.NR.	UP TO SER. NR.
0	Steam hose complete grey RAL 7004 GREY	43210880	1	16374	17174
0	STEAM HOSE BLACK	43211140	1	17175	
1	HANDLE GREY	53215100	1		
1	HANDLES BLACK	53215960	1		
2	DIAPHRAGM	53670240	1		
3	RING	53670250	1		
4	PROTECTION PART GREY	53943740	2		
4	PROTECTION PART BLACK	53945360	2		
5	HOSE GREY	44404800	1		
5	HOSE BLACK	44406030	1		
6	SWITCH	66318020	1		
7	CALIPERS GREY	53240290	1		
7	CALIPERS (Schalter) YELLOW	53240640	1		
8	Pressure spring	53321680	1		
9	VALVE KPL	45803680	1		
10	HAND WHEEL GREY	53220100	1		
10	HAND WHEEL YELLOW	53220140	1		
11	BOLT GREY	50310640	1		
11	BOLT	50324520	1		

5.1 STEAM HOSE

POS	DESCRIPTION ADDITIONAL INFORMATIONS	PART NO	QTY.	FROM SER.NR.	UP TO SER. NR.
	YELLOW				
12	SCREEN	50311250	1		
13	O RING	63629220	2		
14	HOOK	50371020	1		
	GREY				
14	HOOK	50371550	1		
	YELLOW				
15	COUPLING ELEMENT	44710010	1		
	GREY				
15	COUPLING ELEMENT	54711090	1		
	YELLOW				
18	Oval head screw 2,9X 13-ST-VERZ	63030580	10		
19	PLUG (SCHALEN)	50310600	1		
	GREY				
19	PLUG (Schalen)	50327800	1		
	BLACK				
20	GASKET	63629230	1		
21	NIPPLE	54092180	1		
	GREY				
21	NIPPLE	54095150	1		
	BLACK				
22	PULL RELIEF	66475130	1		
23	PLUG ELEMENT	66463250	2		
25	HOSE BAND CLIP	63898840	2		
26	PULL RELIEF	50311230	1		
27	HELICAL SPRING	53323730	1		
28	SEAL	53641740	2		

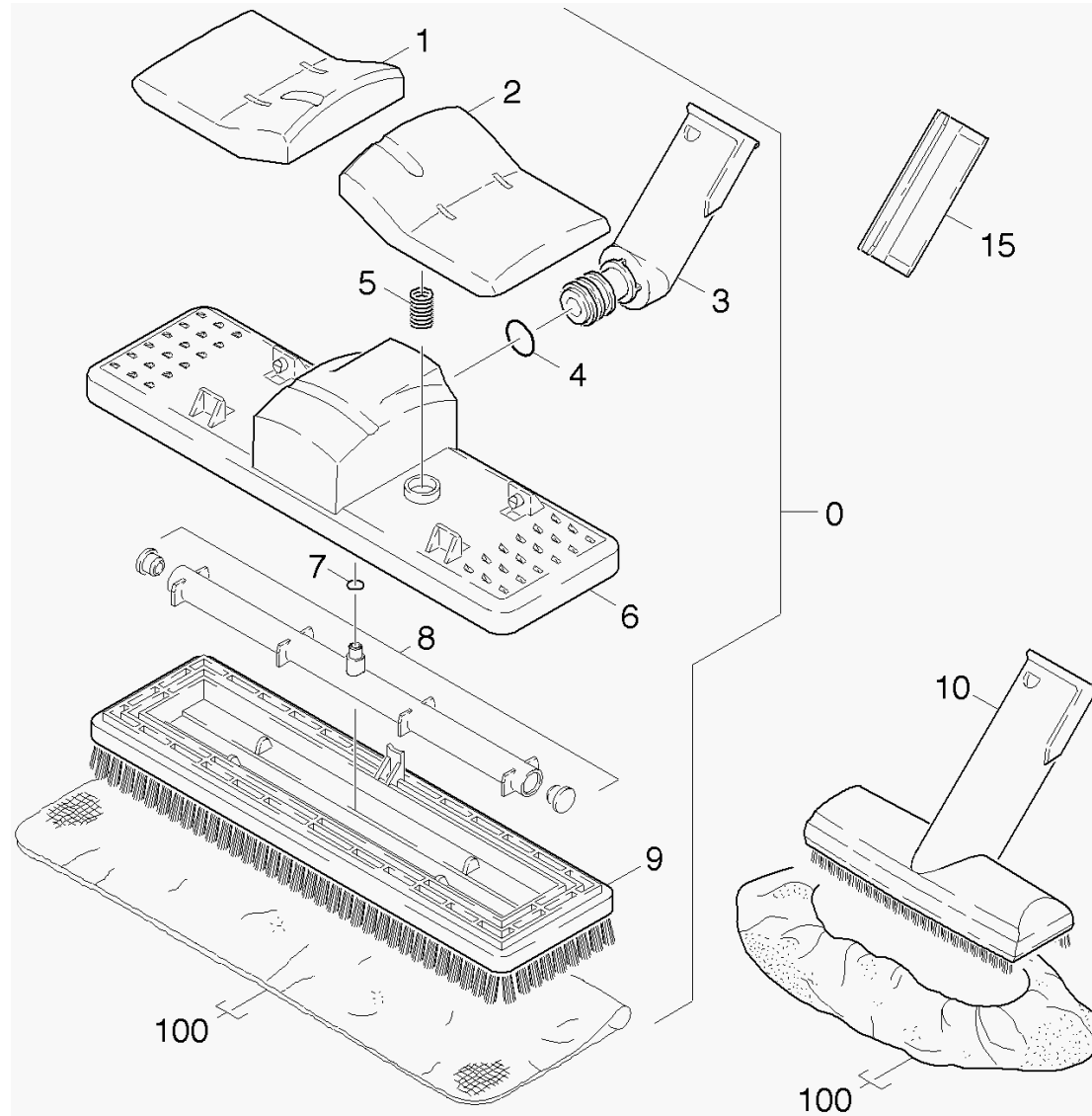
5.2 EXTENSION



5.2 EXTENSION

POS	DESCRIPTION ADDITIONAL INFORMATIONS	PART NO	QTY.	FROM SER.NR.	UP TO SER. NR.
1	EXTENSION TUBE GREY	41270120	2	16374	17174
1	EXTENSION PIPE BLACK/YELLOW	41270190	2	17175	
2	HOOK	50371030	2		
3	O RING	63629220	2		

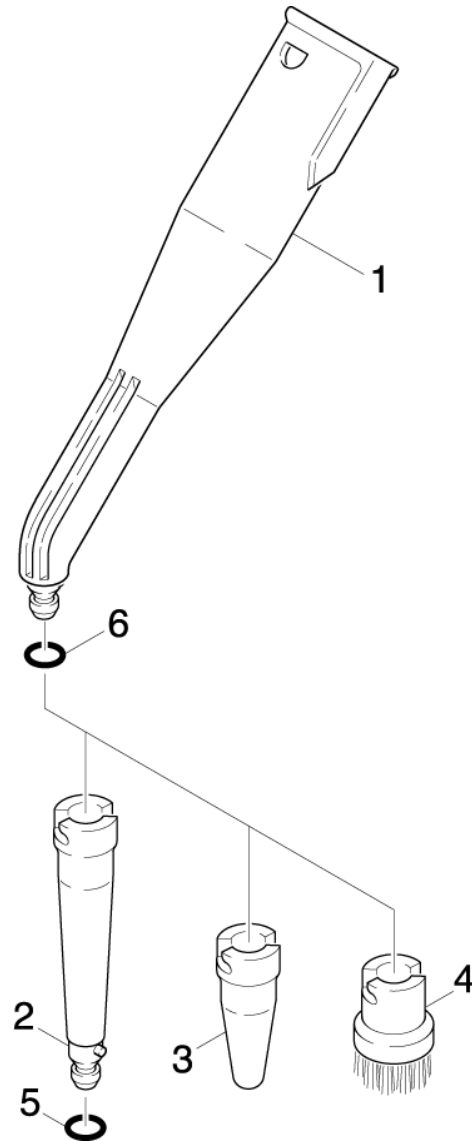
5.3 BRUSHES



5.3 BRUSHES

POS	DESCRIPTION ADDITIONAL INFORMATIONS	PART NO	QTY.	FROM SER.NR.	UP TO SER. NR.
0	Floor tool complete	41301130	1	16374	17174
0	Floor tool complete	41301430	1	17175	
1	BRACKET	50442380	1		
2	BRACKET	50442370	1		
3	ELBOW	54080580	1		
4	GASKET 18,0 X 2,5	63628830	2		
5	Spring	63300160	2		
6	Stockpiling discontinued	77779990	1		
7	GASKET 6,07X 1,78	63628810	1		
8	Nozzle body	57680380	1		
9	Brush insert black	57622370	1		
10	HAND NOZZLE	41301440	1		
15	MOULDED PART	50314670	1		
100	Cloth set	69600190	1		

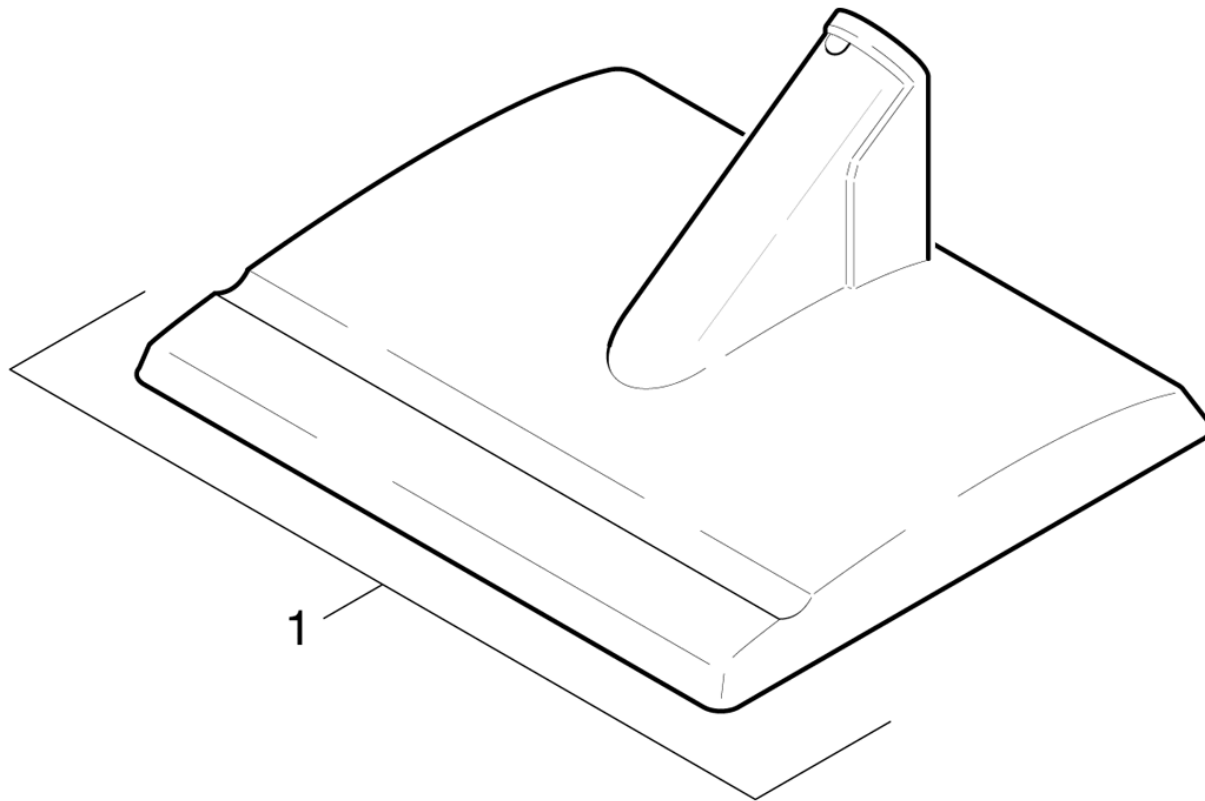
5.4 NOZZLE



5.4 NOZZLE

POS	DESCRIPTION ADDITIONAL INFORMATIONS	PART NO	QTY.	FROM SER.NR.	UP TO SER. NR.
1	NOZZLE	28842810	1	17175	
1	NOZZLE kpl.	41301740	1	16374	17174
2	EXTENSION	57621380	1	16374	17174
2	LENGTHENING PIECE	57622360	1	17175	
3	Power nozzle	57621390	1		
4	Bristle rink set	28630580	1	16374	17174
4	Bristle rink set CuZn BRASS CONSTRUCTION	28630610	1	16374	17174
4	Bristle rink set black CuZn BRASS CONSTRUCTION	28630750	1	17175	
4	Bristle rink set	28630770	1	17175	
5	WASHER	63629240	1		
6	GASKET	63621860	1		

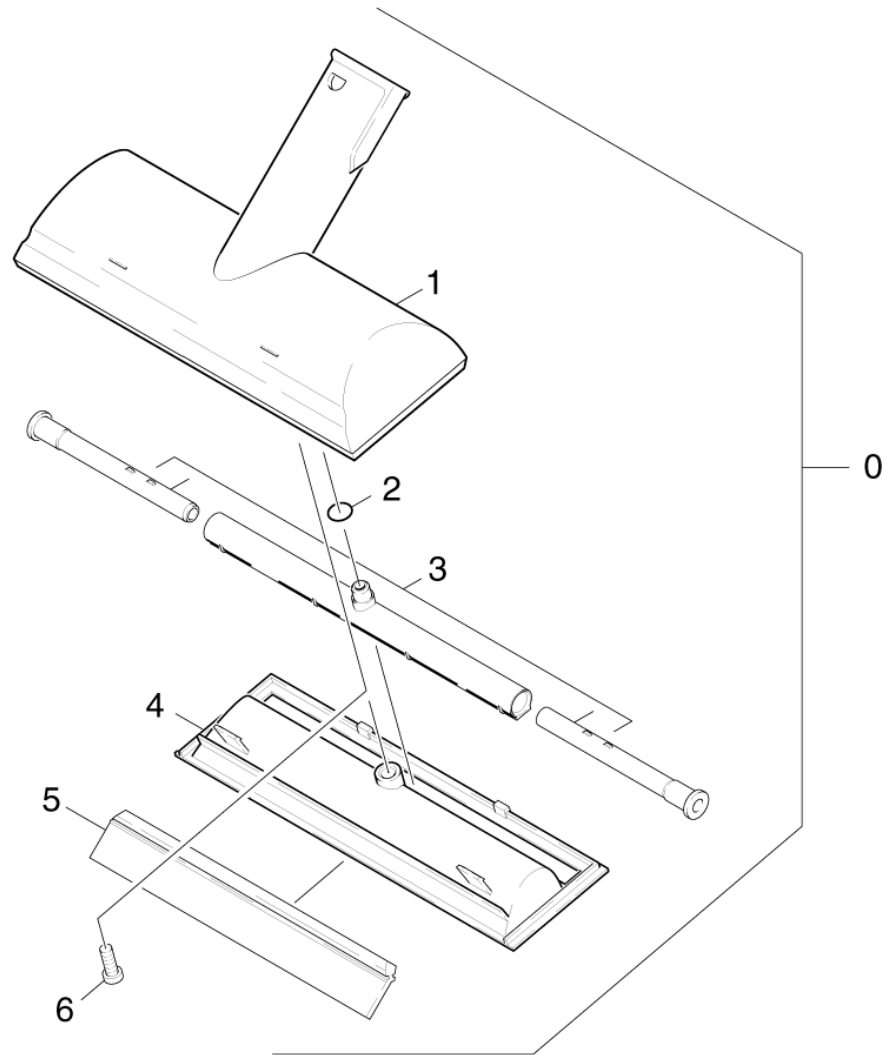
5.5 NOZZLE FOR HANGINGS



5.5 NOZZLE FOR HANGINGS

POS	DESCRIPTION ADDITIONAL INFORMATIONS	PART NO	QTY.	FROM SER.NR.	UP TO SER. NR.
1	NOZZLE FOR PAPER HANGI	28630620	1	16374	17174
1	NOZZLE FOR HANGINGS	28630760	1	17175	

5.6 WINDOW TOOL



5.6 WINDOW TOOL

POS	DESCRIPTION ADDITIONAL INFORMATIONS	PART NO	QTY.	FROM SER.NR.	UP TO SER. NR.
0	Window nozzle GRAU	41301150	1		1
0	Window nozzle black SCHWARZ	41301420	1	2	
1	TOP PART	57680440	1		
2	O RING	63629220	1		
3	Nozzle body only for replacement	47680160	1		
4	BOTTOM	57680360	1		
5	RUBBER LIP	62731400	1		
6	Oval head screw 2,9X 13-ST-VERZ	63030580	1		