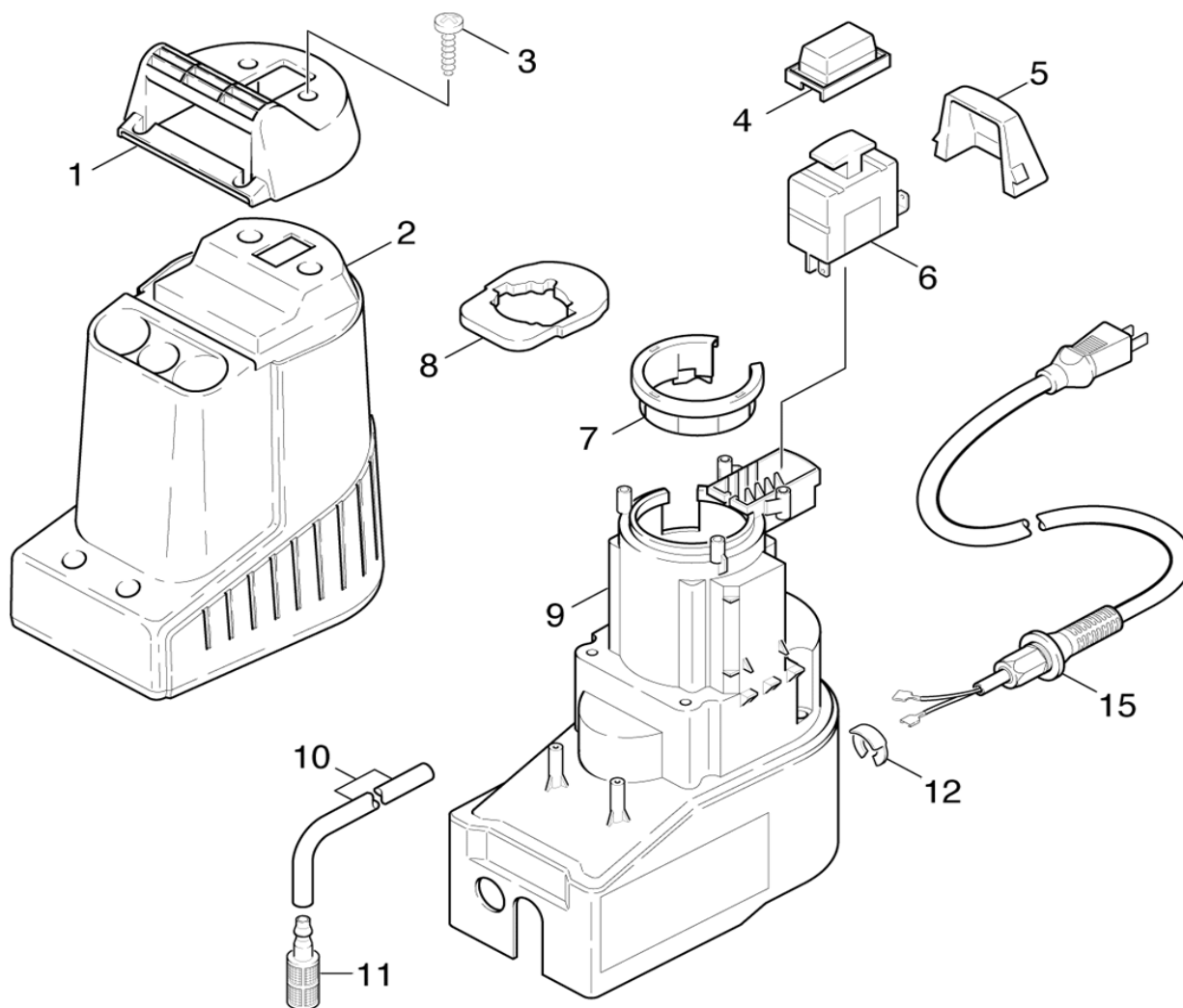


PARTS BREAKDOWN FOR DB1100 (1.903-900.0)

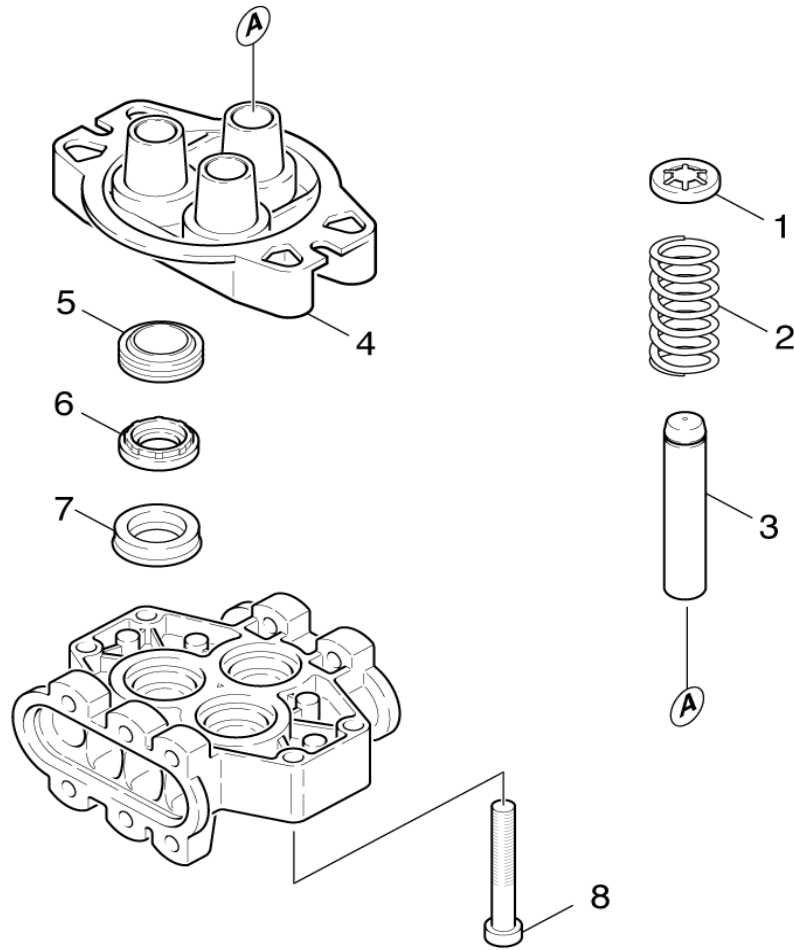
Location	PN	DESCRIPTION	QTY	SERIAL #	
				FROM	TO
PIECE PARTS 1.0					
2		Stockpiling discontinued	1		
3	6303-1250	Screw 5x20-Sonder In6Rd+Spitze	6		
4	6631-5500	Water Protection Cover	1		
5		Stockpiling discontinued	1		
6	6631-6280	Switch	1		
7		Stockpiling discontinued	1		
8		Stockpiling discontinued	1		
9	5066-5690	Cover bottom part	1		
10	6388-2160	Hose DN 5	1		
11	5731-6090	Filter with weight	1		
12	6343-1700	Retaining clip	1		
15		Stockpiling discontinued	1		



R J Bowers Distributors
 2003 Harrison Ave
 Rockford IL 61104
 E-mail: service@rjbowers.com
 Web: www.rjbowers.com
 (815) 399-8839 (800) 383-6584

PARTS BREAKDOWN FOR DB1100 (1.903-900.0)

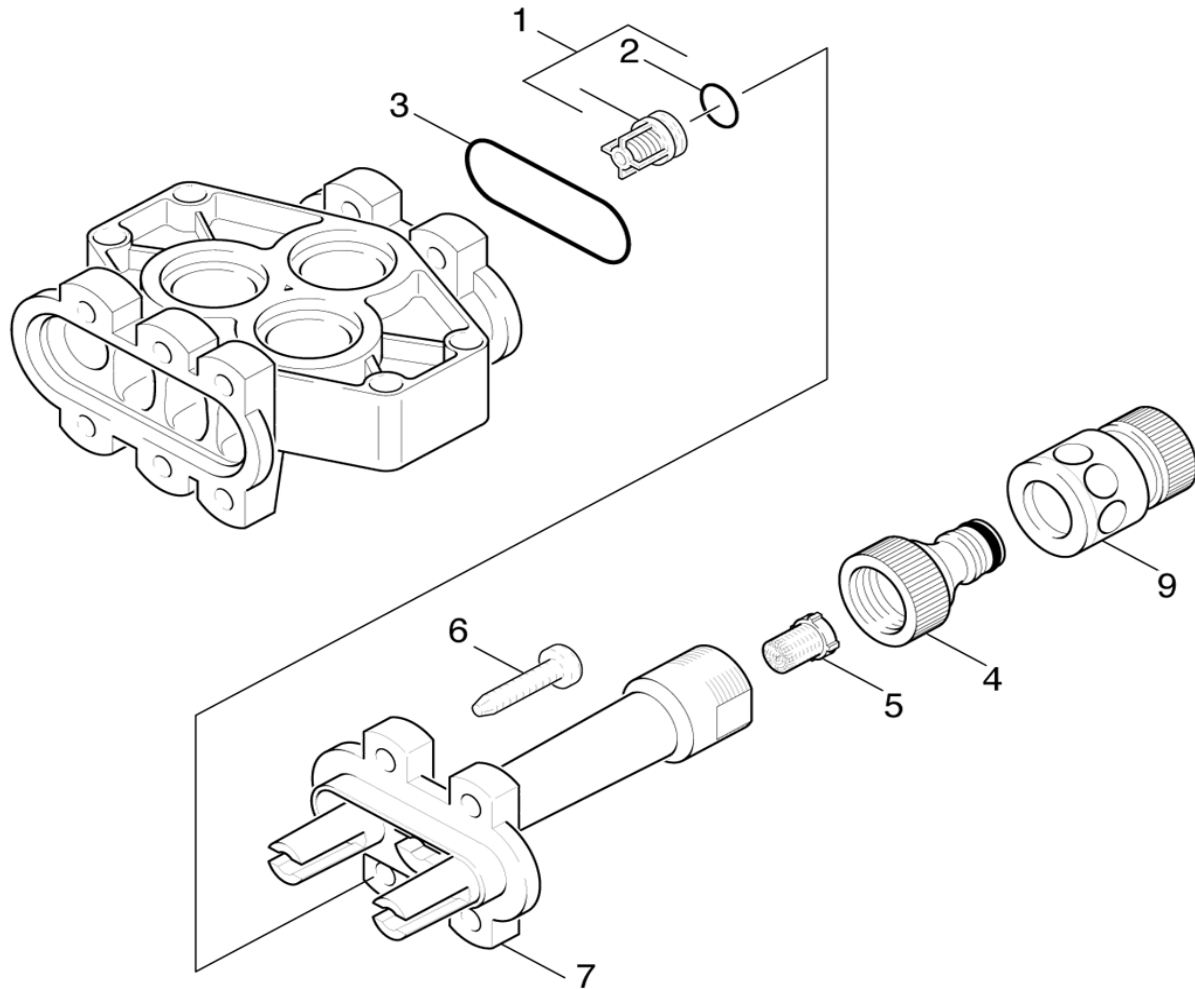
Location	PN	DESCRIPTION	QTY	SERIAL #	
				FROM	TO
PUMP SET - Piston 2.1					
1	5030-6250	Moulded part	3		
2	5332-2510	Coil Spring	3		
3	5553-2310	Piston	3		
4	5060-3650	Housing thrust guidance	1		
5	6365-3400	Grooved ring 14x22x5/7	3		
6	5115-4710	Washer	3		
7	6365-3410	U & V Ring	3		
8	7306-1060	Cylinder head screw M8x70 -8.8-A2E ISO4	4		
100	2883-2280	Pump Set	1		



R J Bowers Distributors
 2003 Harrison Ave
 Rockford IL 61104
 E-mail: service@rjbowers.com
 Web: www.rjbowers.com
 (815) 399-8839 (800) 383-6584

PARTS BREAKDOWN FOR DB1100 (1.903-900.0)

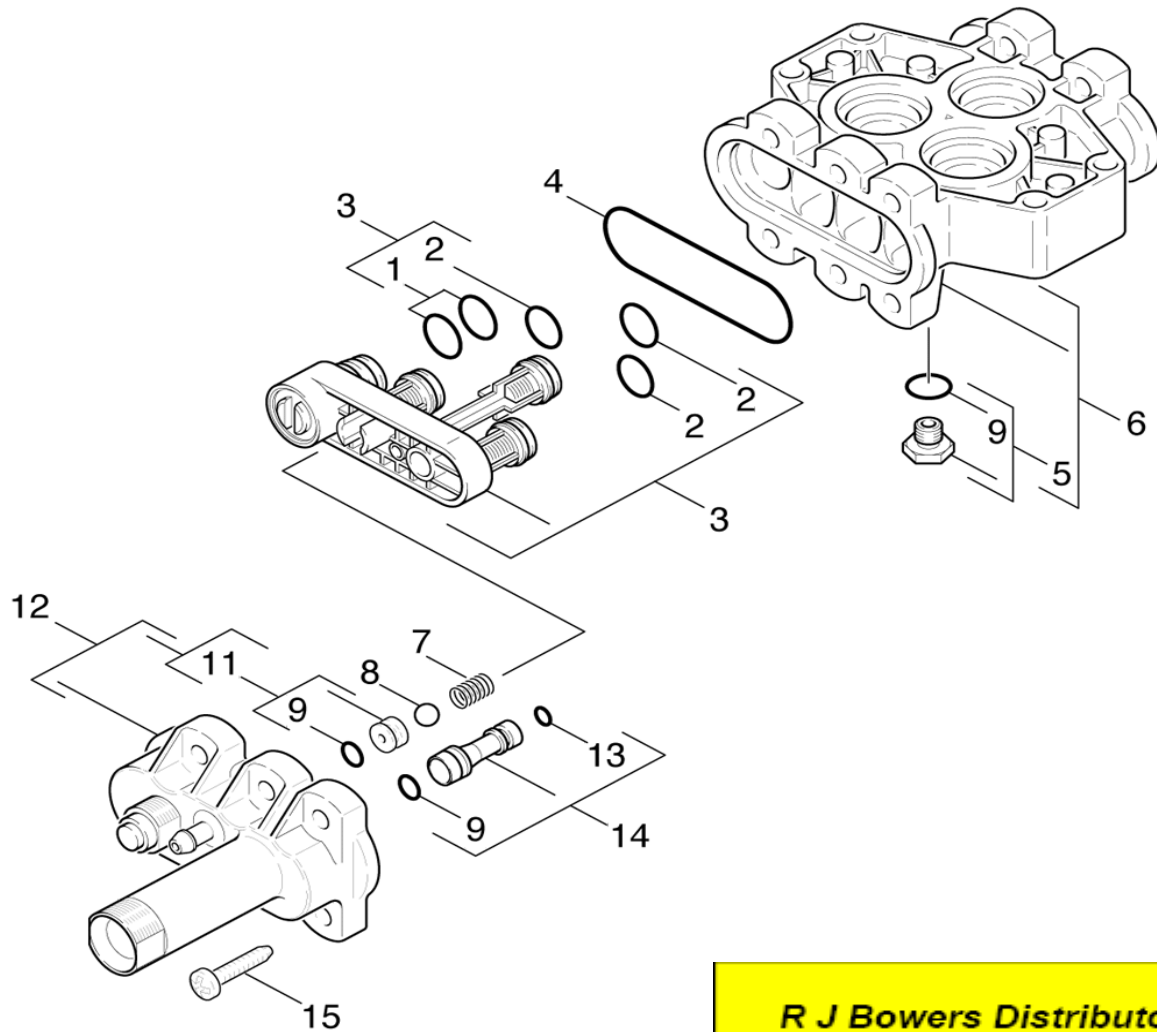
Location	PN	DESCRIPTION	QTY	SERIAL #	
				FROM	TO
PUMP SET - Water Supply 2.2					
1	2884-8740	Valve (3 Pack)	1		
2	6362-7280	Gasket	3		
3	6362-2160	O-Ring seal 40.0x2.0-NBR 70	1		
4	6389-8700	Connection 3/4"	1		
5	6414-2520	Strainer	1		
6	7303-0490	Screw M6x25-ST-A3R (IN6RD)	4		
7	5063-4240	Cover	1		
9	9083-0030	Hose coupling	1		
100	2883-2280	Pump Set	1		



R J Bowers Distributors
 2003 Harrison Ave
 Rockford IL 61104
 E-mail: service@rjbowers.com
 Web: www.rjbowers.com
 (815) 399-8839 (800) 383-6584

PARTS BREAKDOWN FOR DB1100 (1.903-900.0)

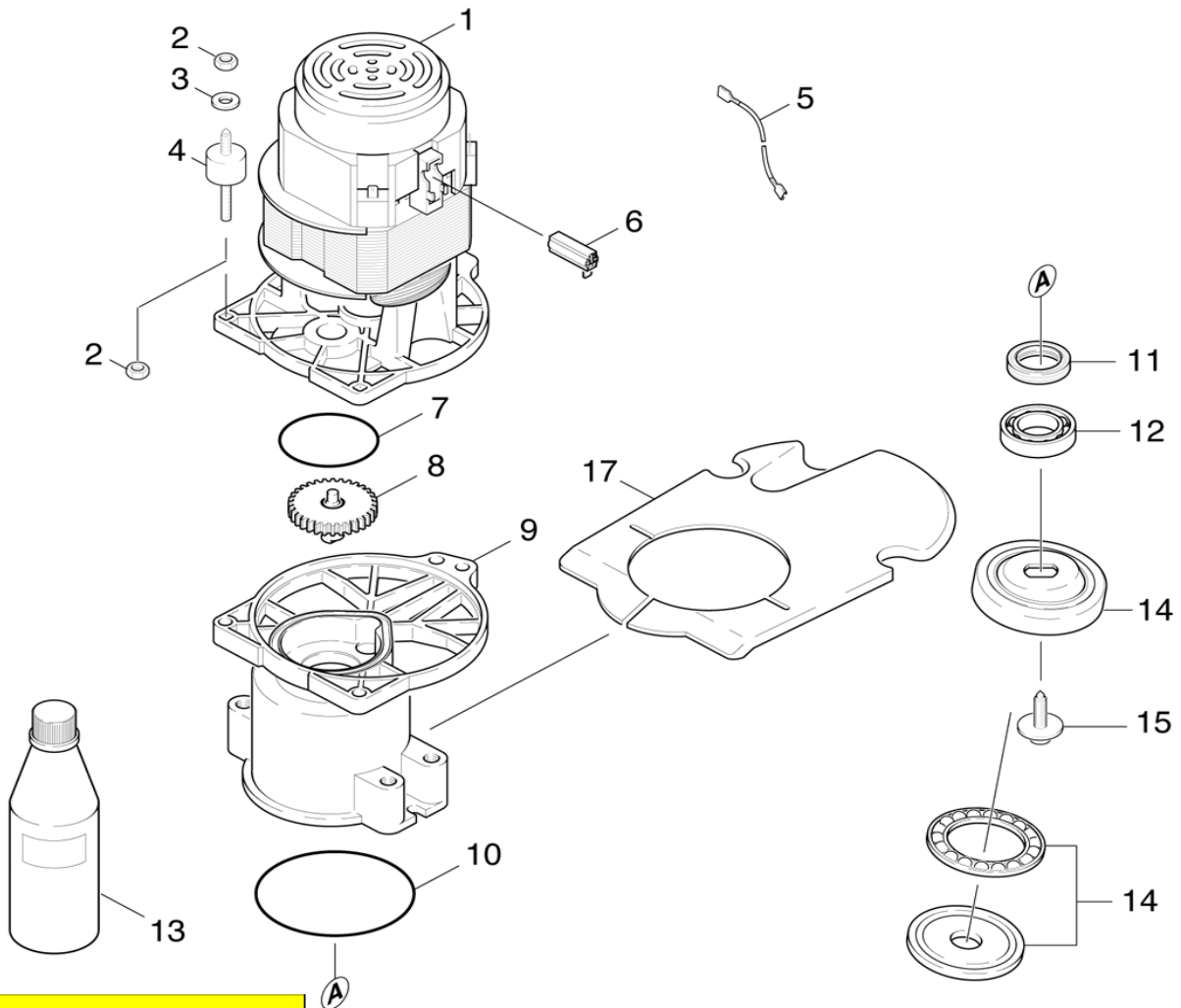
Location	PN	DESCRIPTION	QTY	SERIAL #	
				FROM	TO
PUMP SET - Physical Page 2.3					
1	6363-2730	O-Ring seal 11.0x2.0	2		
2	6362-0770	O-Ring seal 10x2.2 NBR 70	3		
3	4580-2040	Pressure valve complete	1		
4	6362-0950	O-Ring seal 55.0x3.0-NBR 70	1		
5	4411-0030	Closing Screw	1		
6	4550-2100	Cylinder Head	1		
7	5332-2580	Helical spring	1		
8	7401-9090	Sphere 7 G40 -1.4401 DIN 5401	1		
9	6362-1130	O-Ring seal 6.0x2.0	3		
11	4581-0170	Valve Seat	1		
12	4063-1680	Pressure cap complete	1		
13	6362-4860	O-Ring	1		
14	4769-0230	Nozzle insert	1		
15	7303-0490	Screw M6x25-ST-A3R (IN6RD)	6		
100	2883-2280	Pump Set	1		



R J Bowers Distributors
 2003 Harrison Ave
 Rockford IL 61104
 E-mail: service@rjbowers.com
 Web: www.rjbowers.com
 (815) 399-8839 (800) 383-6584

PARTS BREAKDOWN FOR DB1100 (1.903-900.0)

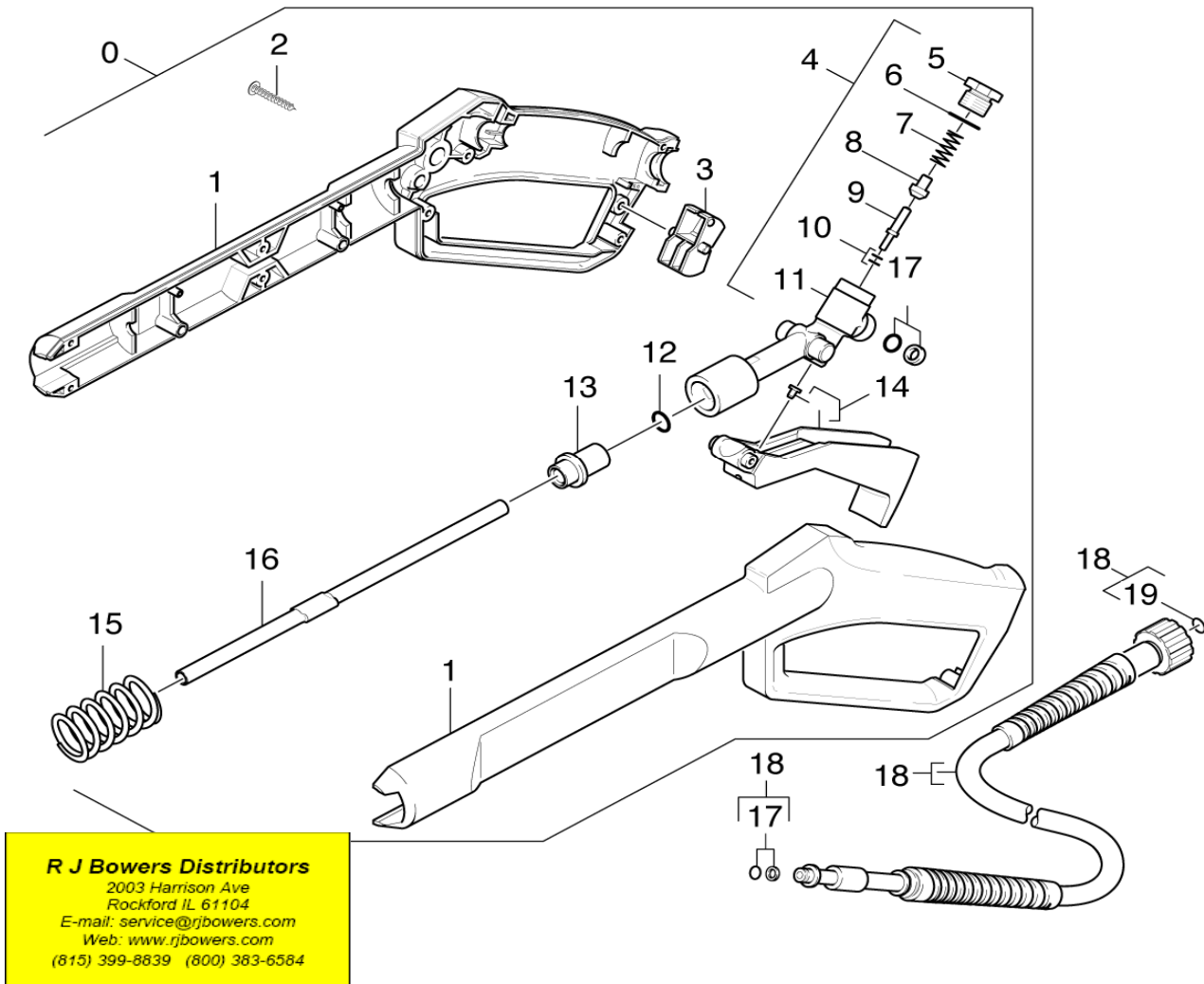
Location	PN	DESCRIPTION	QTY	SERIAL #	
				FROM	TO
MOTOR 3.0					
1	6612-3810	Motor	1		
2	7311-5120	Hexagon nut M 6-8-A2E ISO 7040	6		
3	7312-2760	Washer 6 -200HV-A2E ISO7093-1	3		
4	6339-1070	Rubber buffer	3		
5		Stockpiling discontinued	2		
6	6610-0810	Carbon Brushes	1		
7	5365-1750	Seal	1		
8		Stockpiling discontinued	1		
9		Stockpiling discontinued	1		
10	6362-4710	O-Ring seal 80,0 X 3,0 -NBR 70	1		
11	6367-0140	Rotary Shaft Seal 22x32	1		
12	7401-0370	Ball bearing 7203-B DIN 628	1		
13	6288-0500	Engine oil 1L	1		
14	6401-1940	Swash plate	1		
15	6304-0480	Cylinder head screw M6x19	1		
17		Stockpiling discontinued	1		



R J Bowers Distributors
 2003 Harrison Ave
 Rockford IL 61104
 E-mail: service@rjbowers.com
 Web: www.rjbowers.com
 (815) 399-8839 (800) 383-6584

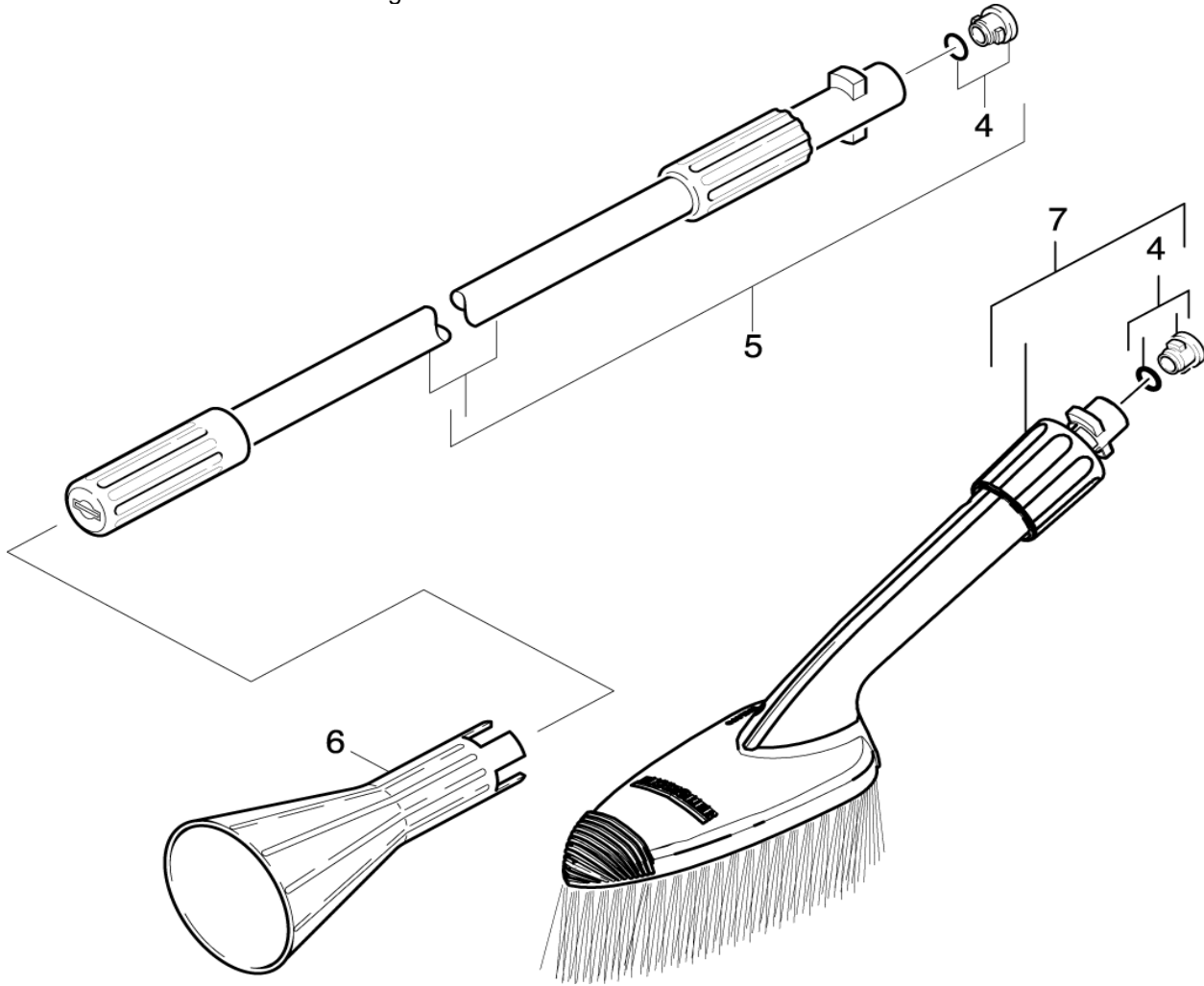
PARTS BREAKDOWN FOR DB1100 (1.903-900.0)

Location	PN	DESCRIPTION	QTY	SERIAL #	
				FROM	TO
ACCESSORIES - Trigger Gun 4.1					
0	4775-2640	Trigger Gun	1		
1	5321-4190	Handhold few	1		
2	6303-1220	M4.2x13 DIN 7981 Torx T15 PAN HD HI/LO	9		
3	5481-0520	Lever	1		
4	4427-1500	KIT	1		
5	5411-0540	Screw plug	1		
6	6362-4800	O-Ring seal 12.42x1.78	1		
7	5332-1570	Helical spring	1		
8	5582-0580	Valve disc	1		
9	5107-0670	Bar	1		
10	7362-5020	O-Ring seal 2.8x1.6-NBR 70 DIN 3770	1		
11		Stockpiling discontinued	1		
12	6362-8020	Gasket	1		
13	5110-4770	Sleeve	1		
14	4481-0350	Lever	1		
15	5332-2470	Helical spring	1		
16	5028-4860	Screw Union	1		
17	6363-1150	O-Ring seal complete 1ST.-R.	1		
18	6389-5550	High pressure hose 15MPa 9m 60G MU=50, E	1		
19	2880-2960	Spare part set O-Ring Seal (5 Pack)	1		



PARTS BREAKDOWN FOR DB1100 (1.903-900.0)

Location	PN	DESCRIPTION	QTY	SERIAL #	
				FROM	TO
ACCESSORIES - Jet Pipe 4.2					
4	2640-7290	O-Ring seal set	1		
5	4760-2770	Lance	1		
6	5394-3650	Extension	1		
ONLY FOR DIRTBLASTER 1100 (1.903-900)					
7	2640-5890	Brush lengthwise	1		



R J Bowers Distributors
 2003 Harrison Ave
 Rockford IL 61104
 E-mail: service@rjbowers.com
 Web: www.rjbowers.com
 (815) 399-8839 (800) 383-6584