

Spare parts list
(59700670) Spare parts list CV 30/1 - CV 38/1

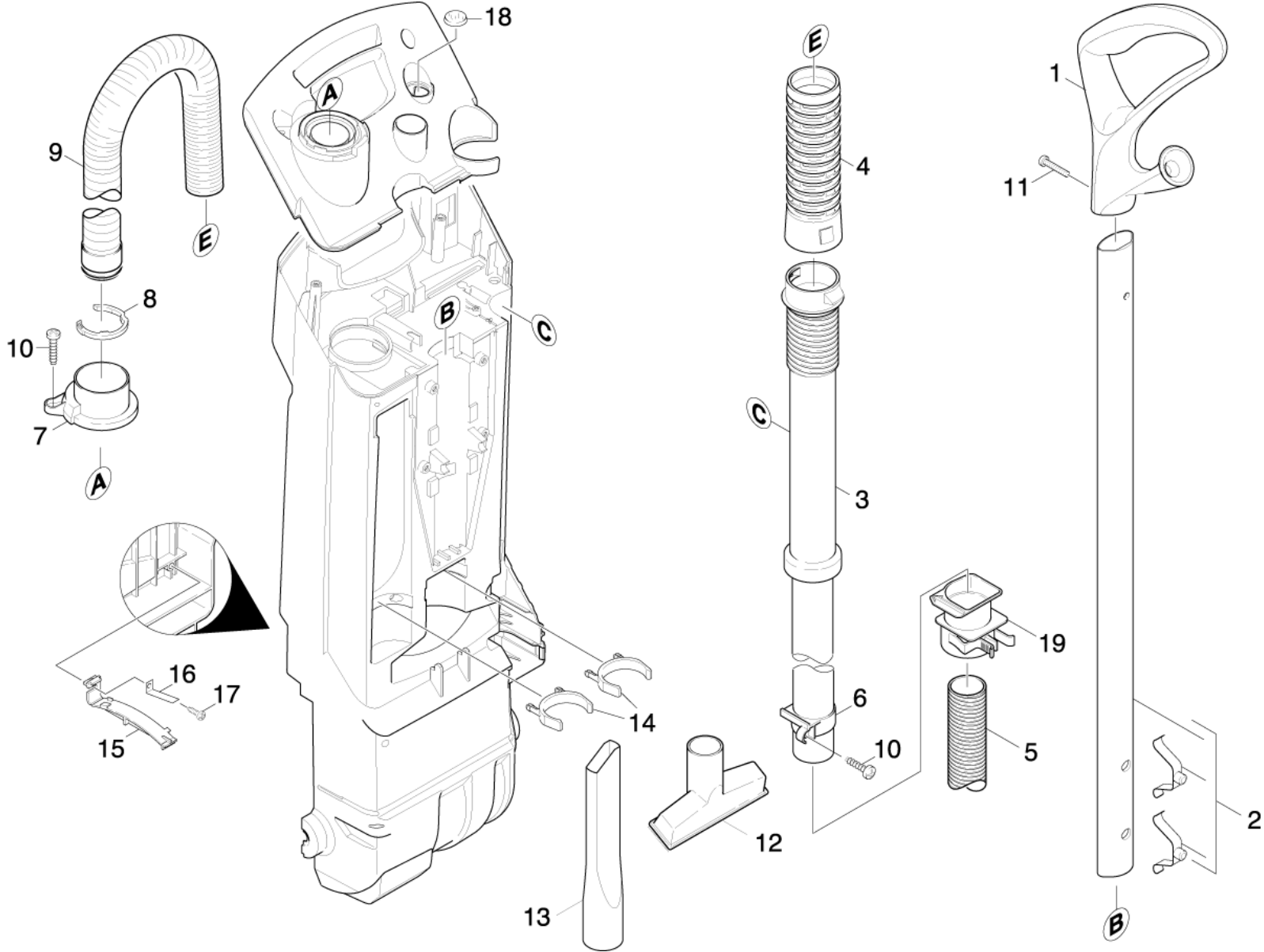
| | |
|--|----|
| Spare parts list CV 30/1 - CV 38/1 (59700670)..... | 6 |
| 10 Top part (01638740)..... | 7 |
| 11 Individual parts (01638490)..... | 8 |
| 12 Individual parts (01643110)..... | 10 |
| 13 Appliance top part (01638500)..... | 12 |
| 20 Brush-head (01638980)..... | 15 |
| 21 Brush-head (01638510)..... | 16 |
| 22 Brush-head (01638990)..... | 18 |
| 30 Vacuum motor (01638520)..... | 20 |
| 40 Accessories (01638530)..... | 22 |

Spare parts list CV 30/1 - CV 38/1 (59700670)

| pos | Article no. | Description | from ser.nr. | up to ser.nr. |
|-----|-------------|--------------|--------------|---------------|
| 10 | 01638740 | Top part | 0000000000 | 0000000000 |
| 20 | 01638980 | Brush-head | 0000000000 | 0000000000 |
| 30 | 01638520 | Vacuum motor | 0000000000 | 0000000000 |
| 40 | 01638530 | Accessories | 0000000000 | 0000000000 |

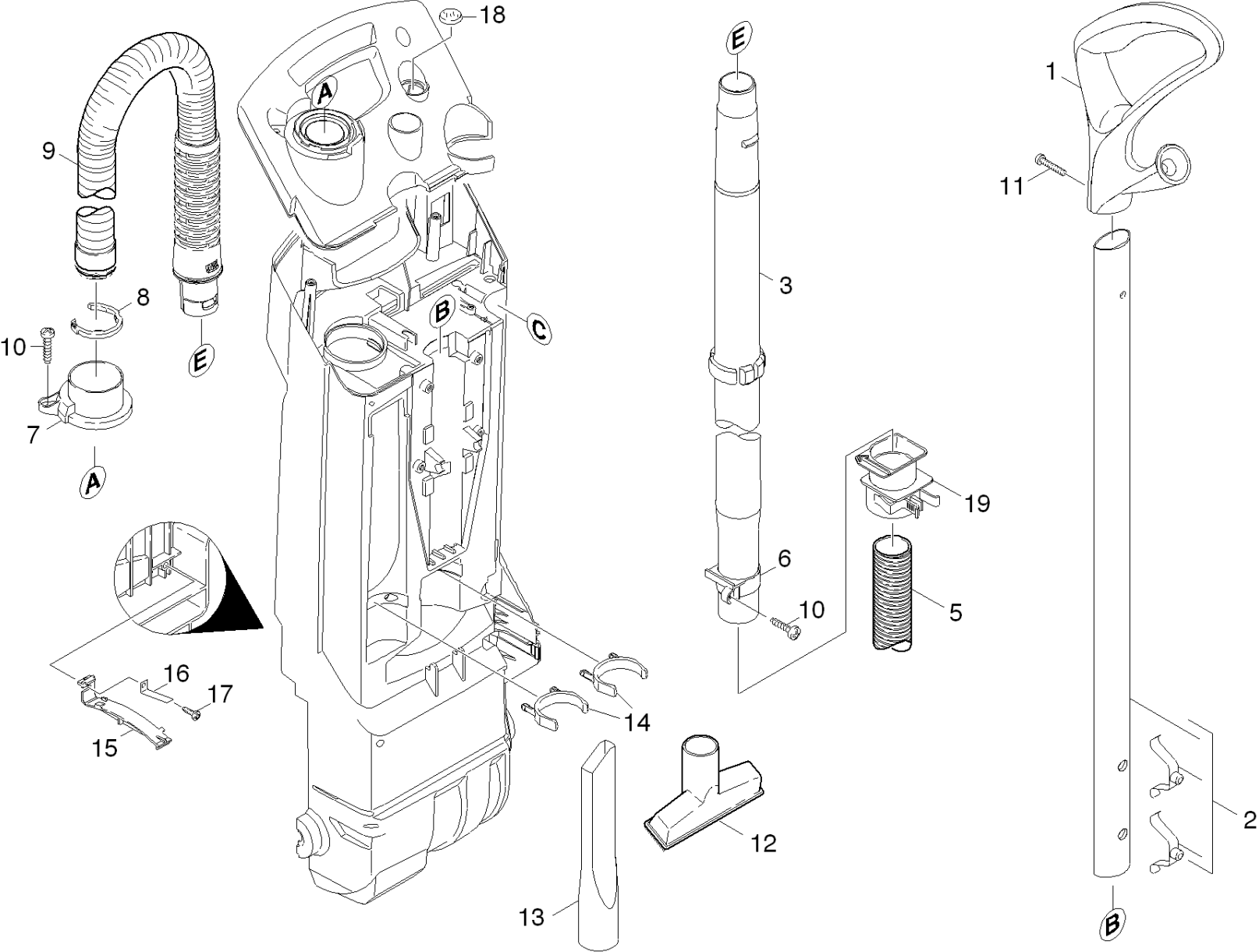
10 Top part (01638740)

| pos | Article no. | Description | from ser.nr. | up to ser.nr. | Fußnotentext |
|-----|-------------|--------------------|--------------|---------------|--------------|
| 11 | 01638490 | Individual parts | 0000000000 | 0000000000 | VERSION 1 |
| 12 | 01643110 | Individual parts | 0000000000 | 0000000000 | VERSION 2 |
| 13 | 01638500 | Appliance top part | 0000000000 | 0000000000 | |



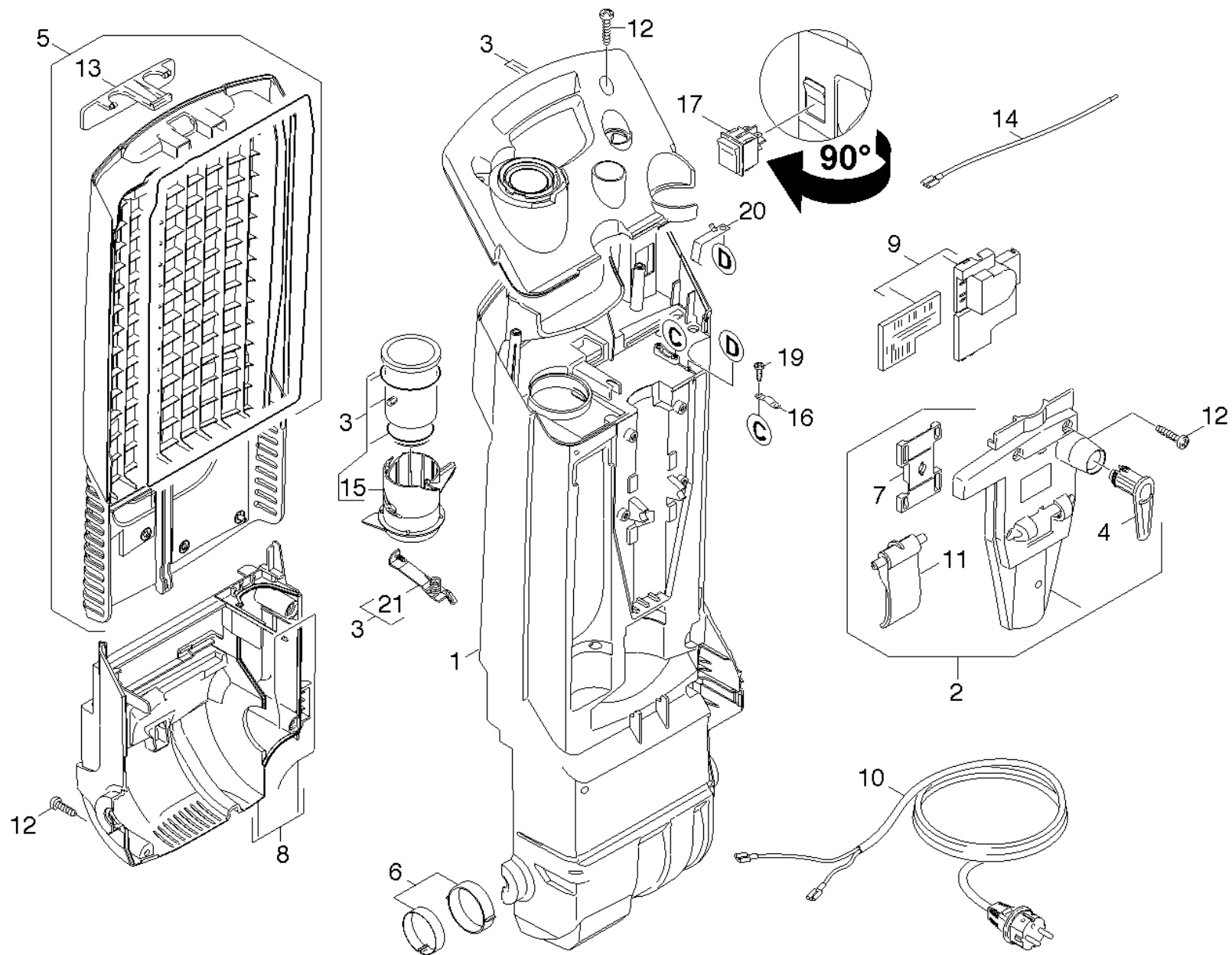
11 Individual parts (01638490)

| ET/VT | pos | Article no. | Description | Quantity | Selling Unit | from ser.nr. | up to ser.nr. |
|-------|-----|-------------|--------------------------------------|----------|--------------|--------------|---------------|
| | 1 | 53217130 | Handhold | 1.000 | ST | 0000000000 | 0000000000 |
| | 2 | 41280010 | Handle complete only for replacement | 1.000 | ST | 0000000000 | 0000000000 |
| X- | 3 | 51285680 | Suction tube | 1.000 | ST | 0000000000 | 0000000000 |
| X- | 4 | 53946800 | Kink protection suction hose | 1.000 | ST | 0000000000 | 0000000000 |
| X-X | 5 | 63911150 | Suction hose DN32 | 1.000 | ST | 0000000000 | 0000000000 |
| | 6 | 55700750 | Ring suction tube | 1.000 | ST | 0000000000 | 0000000000 |
| X- | 7 | 50325400 | Hosebarb | 1.000 | ST | 0000000000 | 0000000000 |
| | 8 | 50310110 | Locking ring | 1.000 | ST | 0000000000 | 0000000000 |
| X-X | 9 | 63911710 | Suction hose DN32 | 1.000 | ST | 0000000000 | 0000000000 |
| | 10 | 73031080 | Screw 5x20 -10.9-R2R (In6Rd) | 2.000 | ST | 0000000000 | 0000000000 |
| | 11 | 73031180 | Screw 5x40 -A2-70 (IN6Rd) | 1.000 | ST | 0000000000 | 0000000000 |
| X- | 12 | 69002330 | Upholstery nozzle DN35 | 1.000 | ST | 0000000000 | 0000000000 |
| X-X | 13 | 69062400 | Crevice nozzle DN35 | 1.000 | ST | 0000000000 | 0000000000 |
| | 14 | 50411110 | Clip accessories | 2.000 | ST | 0000000000 | 0000000000 |
| | 15 | 50428360 | Holder filter | 1.000 | ST | 0000000000 | 0000000000 |
| | 16 | 53323390 | Spring | 1.000 | ST | 0000000000 | 0000000000 |
| | 17 | 73031060 | Screw 4x12 -10.9-R2R (IN6RD) | 1.000 | ST | 0000000000 | 0000000000 |
| | 18 | 50315210 | Lens | 1.000 | ST | 0000000000 | 0000000000 |
| | 19 | 54071150 | Sleeve suction tube | 1.000 | ST | 0000000000 | 0000000000 |



12 Individual parts (01643110)

| ET/VT | pos | Article no. | Description | Quantity | Selling Unit | from ser.nr. | up to ser.nr. |
|-------|-----|-------------|--------------------------------------|----------|--------------|--------------|---------------|
| | 1 | 53217130 | Handhold | 1.000 | ST | 0000000000 | 0000000000 |
| | 2 | 41280010 | Handle complete only for replacement | 1.000 | ST | 0000000000 | 0000000000 |
| X-X | 3 | 51290460 | Suction tube | 1.000 | ST | 0000000000 | 0000000000 |
| X-X | 5 | 63911150 | Suction hose DN32 | 1.000 | ST | 0000000000 | 0000000000 |
| | 6 | 55700750 | Ring suction tube | 1.000 | ST | 0000000000 | 0000000000 |
| X- | 7 | 50325400 | Hosebarb | 1.000 | ST | 0000000000 | 0000000000 |
| | 8 | 50310110 | Locking ring | 1.000 | ST | 0000000000 | 0000000000 |
| X-X | 9 | 44407820 | Suction hose complete | 1.000 | ST | 0000000000 | 0000000000 |
| | 10 | 73031080 | Screw 5x20 -10.9-R2R (In6Rd) | 2.000 | ST | 0000000000 | 0000000000 |
| | 11 | 73031180 | Screw 5x40 -A2-70 (IN6Rd) | 1.000 | ST | 0000000000 | 0000000000 |
| X- | 12 | 69002330 | Upholstery nozzle DN35 | 1.000 | ST | 0000000000 | 0000000000 |
| X-X | 13 | 69062400 | Crevice nozzle DN35 | 1.000 | ST | 0000000000 | 0000000000 |
| | 14 | 50411110 | Clip accessories | 2.000 | ST | 0000000000 | 0000000000 |
| | 15 | 50428360 | Holder filter | 1.000 | ST | 0000000000 | 0000000000 |
| | 16 | 53323390 | Spring | 1.000 | ST | 0000000000 | 0000000000 |
| | 17 | 73031060 | Screw 4x12 -10.9-R2R (IN6RD) | 1.000 | ST | 0000000000 | 0000000000 |
| | 18 | 50315210 | Lens | 1.000 | ST | 0000000000 | 0000000000 |
| | 19 | 54071150 | Sleeve suction tube | 1.000 | ST | 0000000000 | 0000000000 |



13 Appliance top part (01638500)

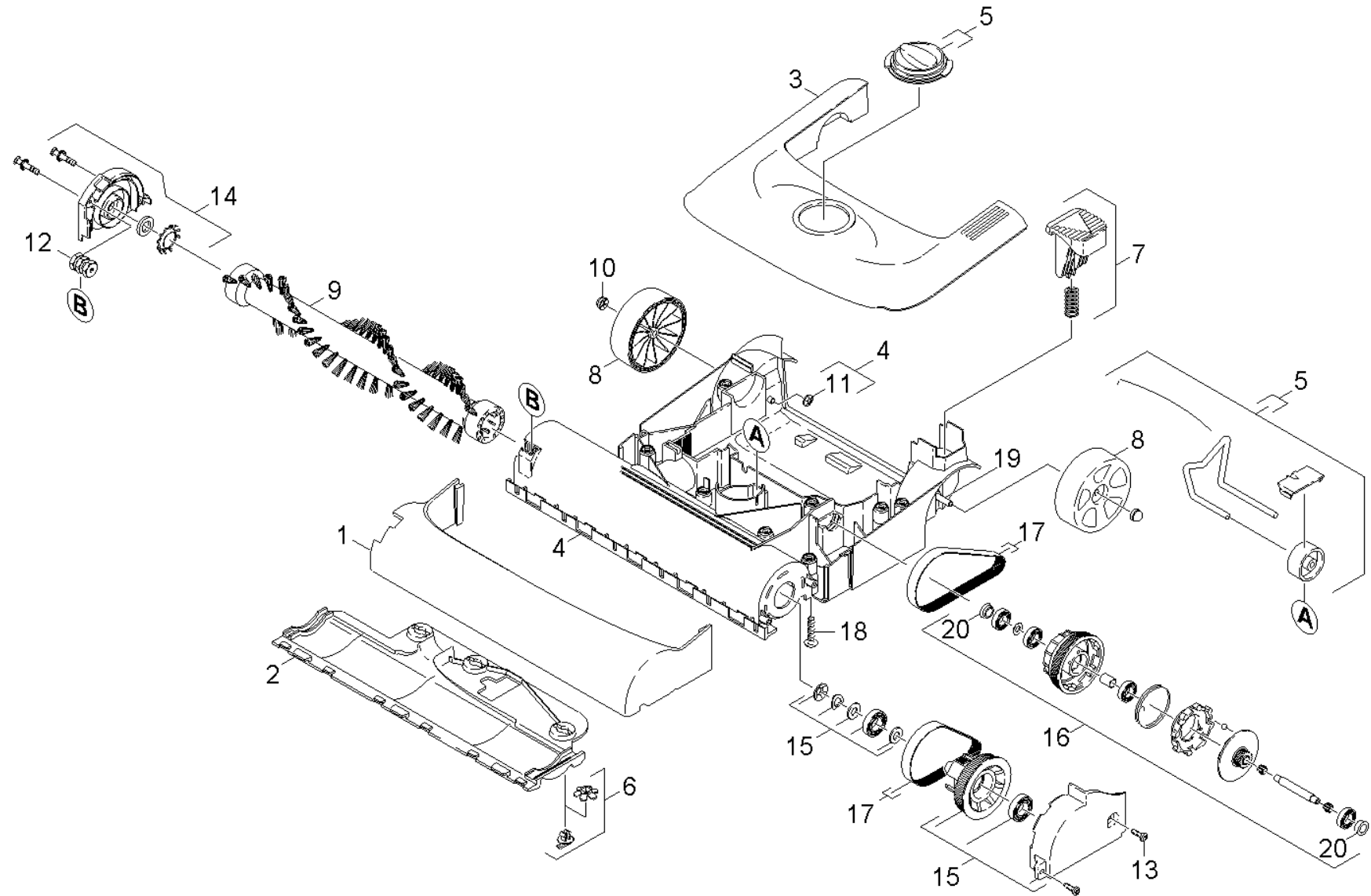
| ET/VT pos | Article no. | Description | Quantity | Selling Unit | from ser.nr. | up to ser.nr. | var. information |
|--|-------------|---|----------|--------------|--------------|---------------|------------------|
| | 1 | 50609910 Housing | 1.000 | ST | 0000000000 | 0000000000 | |
| | 2 | 40320030 Covering cap complete only for replaceme | 1.000 | ST | 0000000000 | 0000000000 | |
| | 3 | 40320040 Covering cap electric | 1.000 | ST | 0000000000 | 0000000000 | |
| X-X | 4 | 50446610 Catch for cable | 1.000 | ST | 0000000000 | 0000000000 | |
| | 5 | 40640160 Cover complete | 1.000 | ST | 0000000000 | 0000000000 | |
| | 6 | 42500790 BEARING SHELL kpl. | 1.000 | ST | 0000000000 | 0000000000 | |
| | 7 | 50324480 CLAMP | 1.000 | ST | 0000000000 | 0000000000 | |
| | 8 | 40532240 Covering cap motor complete nur fuer Ers | 1.000 | ST | 0000000000 | 0000000000 | |
| | 9 | 46820010 Circuit board only for replacement CV30/ | 1.000 | ST | 0000000000 | 0000000000 | |
| Positionstext: / 1.023-105.0 / 1.435-105.0 | | | | | | | |
| | 9 | 46820000 Circuit board only for replacement CV30/ | 1.000 | ST | 0000000000 | 0000000000 | |
| Positionstext: / 1.023-101.0 / -102.0 / -104.0 / -107.0/ 1.435-101.0 | | | | | | | |
| | 10 | 46490020 Power cable | 1.000 | ST | 0000000000 | 0000000000 | *EUR |
| Positionstext: / 1.023-101.0 / 1.435-101.0 | | | | | | | |
| | 10 | 46490030 Power cable | 1.000 | ST | 0000000000 | 0000000000 | *GB |
| Positionstext: / 1.023-102.0 | | | | | | | |
| | 10 | 46490200 Power cable only for replacement | 1.000 | ST | | | *CN |
| Positionstext: / 1.023-107.0 | | | | | | | |
| | 10 | 46490050 Power cable only for replacement | 1.000 | ST | 0000000000 | 0000000000 | *AU |
| Positionstext: / 1.023-104.0 | | | | | | | |
| X-X | 10 | 46490260 Power cable nur fuer Ersatz | 1.000 | ST | 0000000000 | 0000000000 | *USA |
| Positionstext: / 1.023-105.0 / 1.435-105.0 | | | | | | | |
| | 11 | 54813450 Clamp lever | 1.000 | ST | 0000000000 | 0000000000 | |
| | 12 | 73031080 Screw 5x20 -10.9-R2R (In6Rd) | 9.000 | ST | 0000000000 | 0000000000 | |
| | 13 | 50750300 Closure cover | 1.000 | ST | 0000000000 | 0000000000 | |

13 Appliance top part (01638500)

| ET/VT pos | Article no. | Description | Quantity | Selling Unit | from ser.nr. | up to ser.nr. | var. information |
|--|-------------|------------------------------------|----------|--------------|--------------|---------------|------------------|
| 14 | 48393290 | Electrical small parts | 1.000 | ST | 0000000000 | 0000000000 | |
| Positionstext: / 1.023-105.0 / 1.435-105.0 | | | | | | | |
| 14 | 48393250 | Electrical small parts CV 30/1 | 1.000 | ST | 0000000000 | 0000000000 | |
| Positionstext: / 1.023-101.0 / -102.0 / -104.0 / -107.0/ 1.435-101.0 | | | | | | | |
| 15 | 54813520 | OPERATING LEVER | 1.000 | ST | | | |
| 16 | 69032410 | Clamp clip | 1.000 | ST | 0000000000 | 0000000000 | |
| 17 | 66301560 | Rocker switch black | 1.000 | ST | 0000000000 | 0000000000 | |
| 19 | 63033180 | Screw 3,5x12-10.9-R2R (IN6RD) | 2.000 | ST | 0000000000 | 0000000000 | |
| 20 | 50346890 | Spring earthing | 1.000 | ST | 0000000000 | 0000000000 | |
| 21 | 43320080 | Spring connection piece completely | 1.000 | ST | 0000000000 | 0000000000 | |

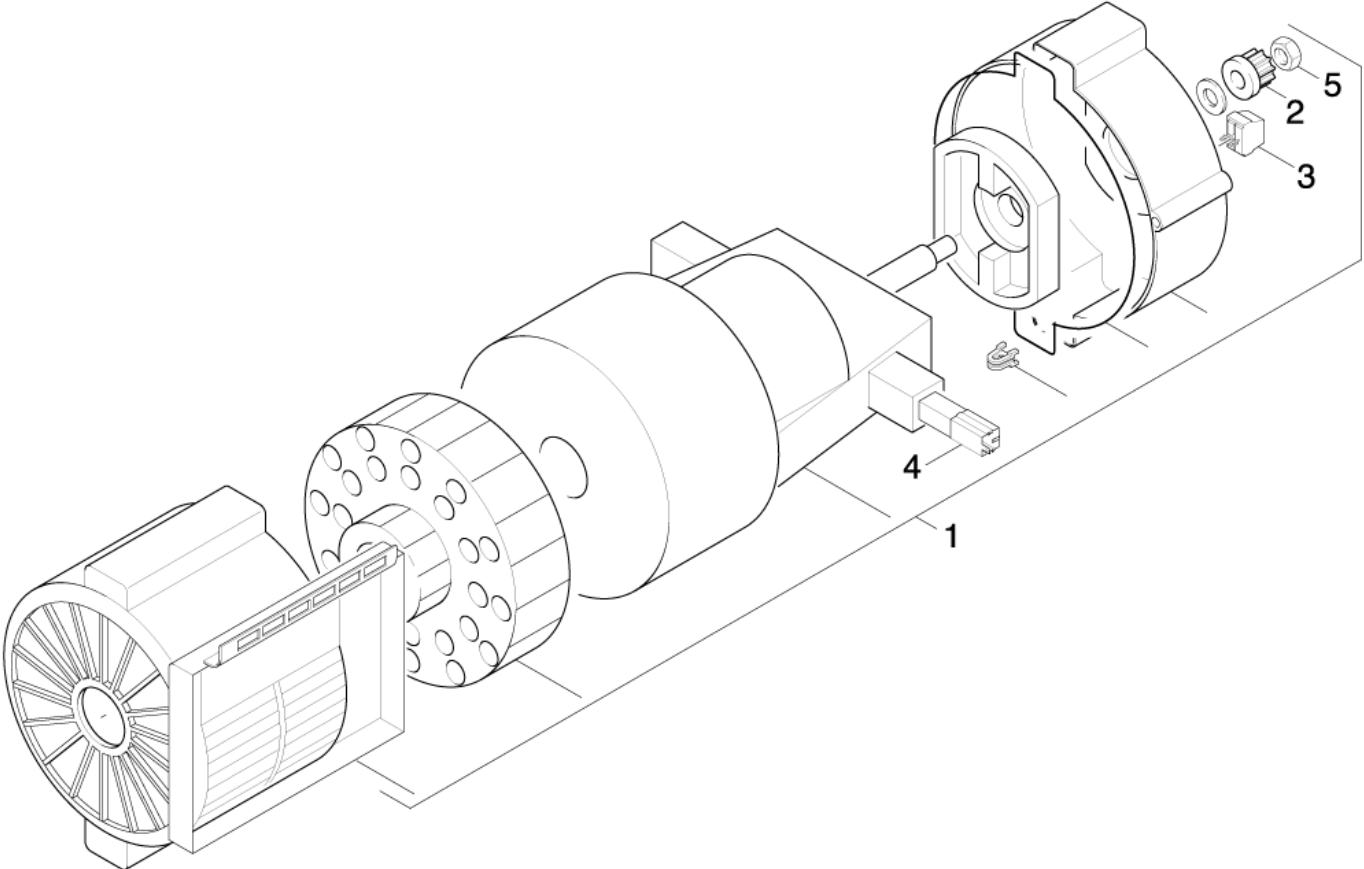
20 Brush-head (01638980)

| pos | Article no. | Description | from ser.nr. | up to ser.nr. | var. information |
|-----|-------------|-------------|--------------|---------------|------------------|
| 21 | 01638510 | Brush-head | 0000000000 | 0000000000 | CV 30/1 |
| 22 | 01638990 | Brush-head | 0000000000 | 0000000000 | CV 38/1 |



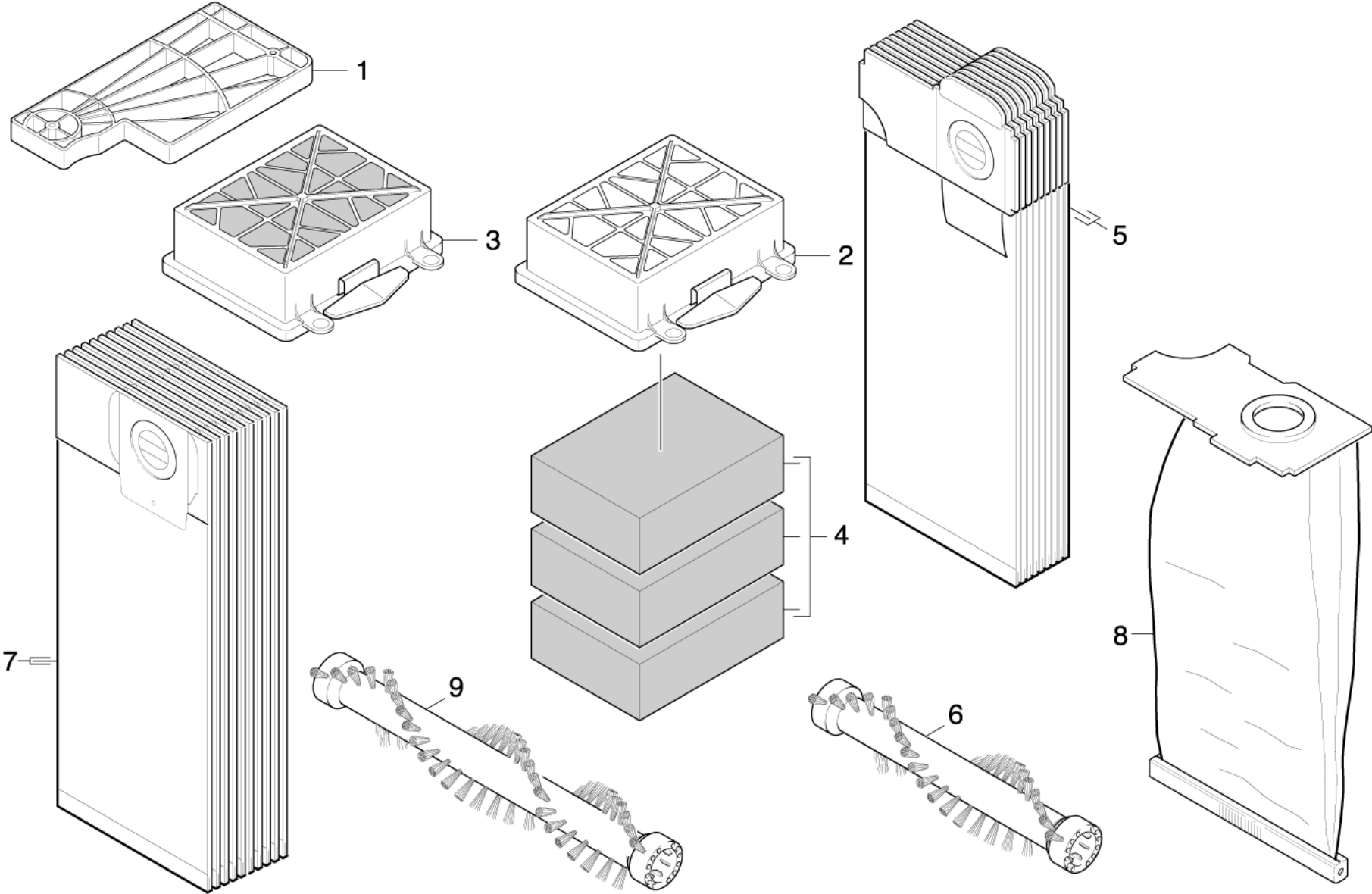
22 Brush-head (01638990)

| ET/VT | pos | Article no. | Description | Quantity | Selling Unit | from ser.nr. | up to ser.nr. |
|-------|-----|-------------|--|----------|--------------|--------------|---------------|
| | 1 | 50324560 | Bumper CV 38/1 | 1.000 | ST | 0000000000 | 0000000000 |
| | 2 | 50585000 | Sliding bottom | 1.000 | ST | 0000000000 | 0000000000 |
| | 3 | 50609780 | Housing top part yellow CV 30/1 | 1.000 | ST | 0000000000 | 0000000000 |
| | 4 | 40606980 | Housing complete CV38/1 | 1.000 | ST | 0000000000 | 0000000000 |
| | 5 | 45150960 | ADJUSTING WHEEL kpl. | 1.000 | ST | 0000000000 | 0000000000 |
| X-X | 6 | 28842730 | Closure parts set only for replacement | 1.000 | ST | 0000000000 | 0000000000 |
| X- | 7 | 44810000 | Foot pedal complete only for replacement | 1.000 | ST | 0000000000 | 0000000000 |
| X-X | 8 | 55151880 | Wheel | 2.000 | ST | 0000000000 | 0000000000 |
| X-X | 9 | 69066430 | Roller brush black | 1.000 | ST | 0000000000 | 0000000000 |
| X-X | 10 | 63431870 | Lock washer | 2.000 | ST | 0000000000 | 0000000000 |
| | 11 | 63431190 | Lock washer | 2.000 | ST | 0000000000 | 0000000000 |
| | 12 | 54012880 | Screw connector part | 2.000 | ST | 0000000000 | 0000000000 |
| | 13 | 73031060 | Screw 4x12 -10.9-R2R (IN6RD) | 2.000 | ST | 0000000000 | 0000000000 |
| X-X | 14 | 40638690 | Covering cap complete brush | 1.000 | ST | 0000000000 | 0000000000 |
| X-X | 15 | 40637740 | Covering cap complete belt | 1.000 | ST | 0000000000 | 0000000000 |
| X-X | 16 | 44700220 | Coupler complete | 1.000 | ST | 0000000000 | 0000000000 |
| X-X | 17 | 28842740 | Spare parts set belt | 1.000 | ST | 0000000000 | 0000000000 |
| | 18 | 73031080 | Screw 5x20 -10.9-R2R (In6Rd) | 8.000 | ST | 0000000000 | 0000000000 |
| X-X | 19 | 94121630 | Axle | 1.000 | ST | | |
| | 20 | 50326170 | Moulded part ring | 2.000 | ST | | |



30 Vacuum motor (01638520)

| ET/VT | pos | Article no. | Description | Quantity | Selling Unit | from ser.nr. | up to ser.nr. |
|--|-----|-------------|----------------------------------|----------|--------------|--------------|---------------|
| | 1 | 40605900 | Motor frame complete | 1.000 | ST | 0000000000 | 0000000000 |
| Positionstext: / 1.023-101.0 / -102.0 / -104.0 / -107.0/ 1.435-101.0 | | | | | | | |
| | 1 | 40605910 | Motor frame complete | 1.000 | ST | 0000000000 | 0000000000 |
| Positionstext: / 1.023-105.0 / 1.435-105.0 | | | | | | | |
| X-X | 2 | 53520850 | Pinion | 1.000 | ST | 0000000000 | 0000000000 |
| | 3 | 66435510 | Strip terminal | 1.000 | ST | 0000000000 | 0000000000 |
| | 4 | 66102490 | Carbon brush set 120V (Domel) | 1.000 | ST | 0000000000 | 0000000000 |
| Positionstext: / 1.023-105.0 / 1.435-105.0 | | | | | | | |
| | 4 | 66102550 | Carbon brush set 6.490-175 | 1.000 | ST | 0000000000 | 0000000000 |
| Positionstext: / 1.023-101.0 / -102.0 / -104.0 / -107.0/ 1.435-101.0 | | | | | | | |
| X- | 5 | 73114310 | Hexagon nut M 5-1.4305 ISO 10511 | 1.000 | ST | 0000000000 | 0000000000 |



40 Accessories (01638530)

| ET/VT | pos | Article no. | Description | Quantity | Selling Unit | from ser.nr. | up to ser.nr. | Fußnotentext |
|---|-----|-------------|-------------------------------------|----------|--------------|--------------|---------------|--------------|
| X-X | 1 | 57316110 | Filter motor protecting | 1.000 | ST | 0000000000 | 0000000000 | |
| X- | 2 | 57316140 | Filter frame grey | 1.000 | ST | 0000000000 | 0000000000 | |
| | 3 | 64147600 | Filter packaged HEPA | 1.000 | ST | 0000000000 | 0000000000 | |
| X-X | 4 | 64147610 | Filter sponge packaged Kärcher 3St. | 1.000 | ST | 0000000000 | 0000000000 | |
| X-X | 5 | 69042940 | FILTER BAGS 10 PC | 1.000 | ST | 0000000000 | 0000000000 | |
| | 6 | 69066420 | Roller brush red | 1.000 | ST | 0000000000 | 0000000000 | RED |
| Positionstext: / 1.023-101.0 / -102.0 / -104.0 / -105.0/ -107.0 | | | | | | | | |
| X-X | 7 | 69043050 | Filter bag fleece | 1.000 | ST | 0000000000 | 0000000000 | |
| X-X | 8 | 69043010 | Filter bag cloth | 1.000 | ST | 0000000000 | 0000000000 | |
| | 9 | 69066440 | Roller brush red | 1.000 | ST | 0000000000 | 0000000000 | RED |
| Positionstext: / 1.435-101.0 / -105.0 | | | | | | | | |