



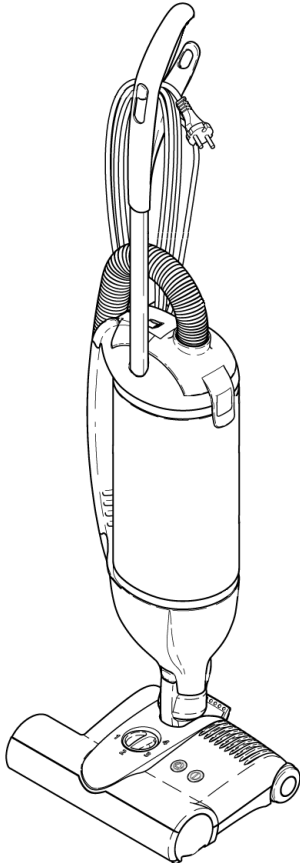
# KÄRCHER

## COMMERCIAL

Operating Instructions (ENG)

**MODELS:** CV 300  
1.012-059.0

CV 380  
1.012-060.0

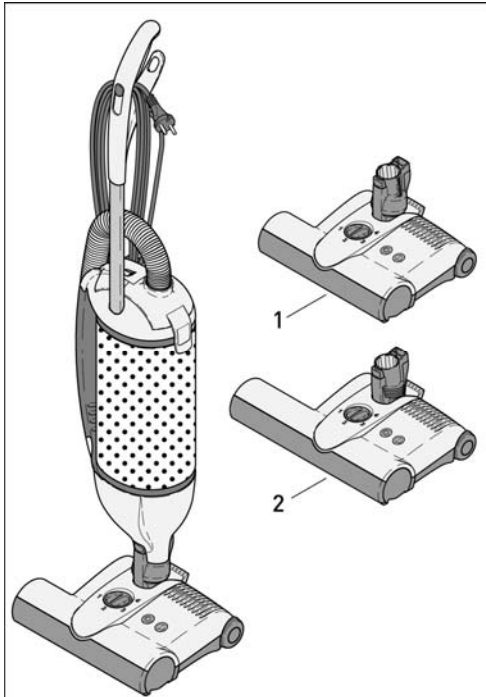


---

*Read instructions before operating the machine.*

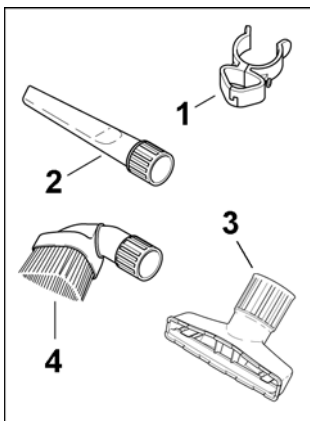
# PARTS

## POWER HEAD



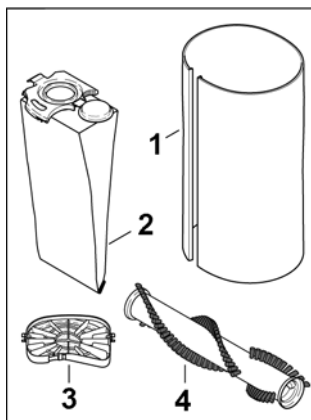
Ref	Description	Notes
1	POWER HEAD 12"	CV300 Only
2	POWER HEAD 15"	CV380 Only

## OPTIONAL ATTACHMENTS



Ref	Part No.	Prv. No.	Description	Notes
1	86322440	1081DG	CLIPS, ATTACHMENT DK GRY	
2	86322450	1092DG	CREVICE TOOL, DK GRY	
3	86146290	1491DG	UPHOLSTERY NOZZLE, DK GRY	
4	86138400	1094DG	DUSTING BRUSH, DK GRAY	

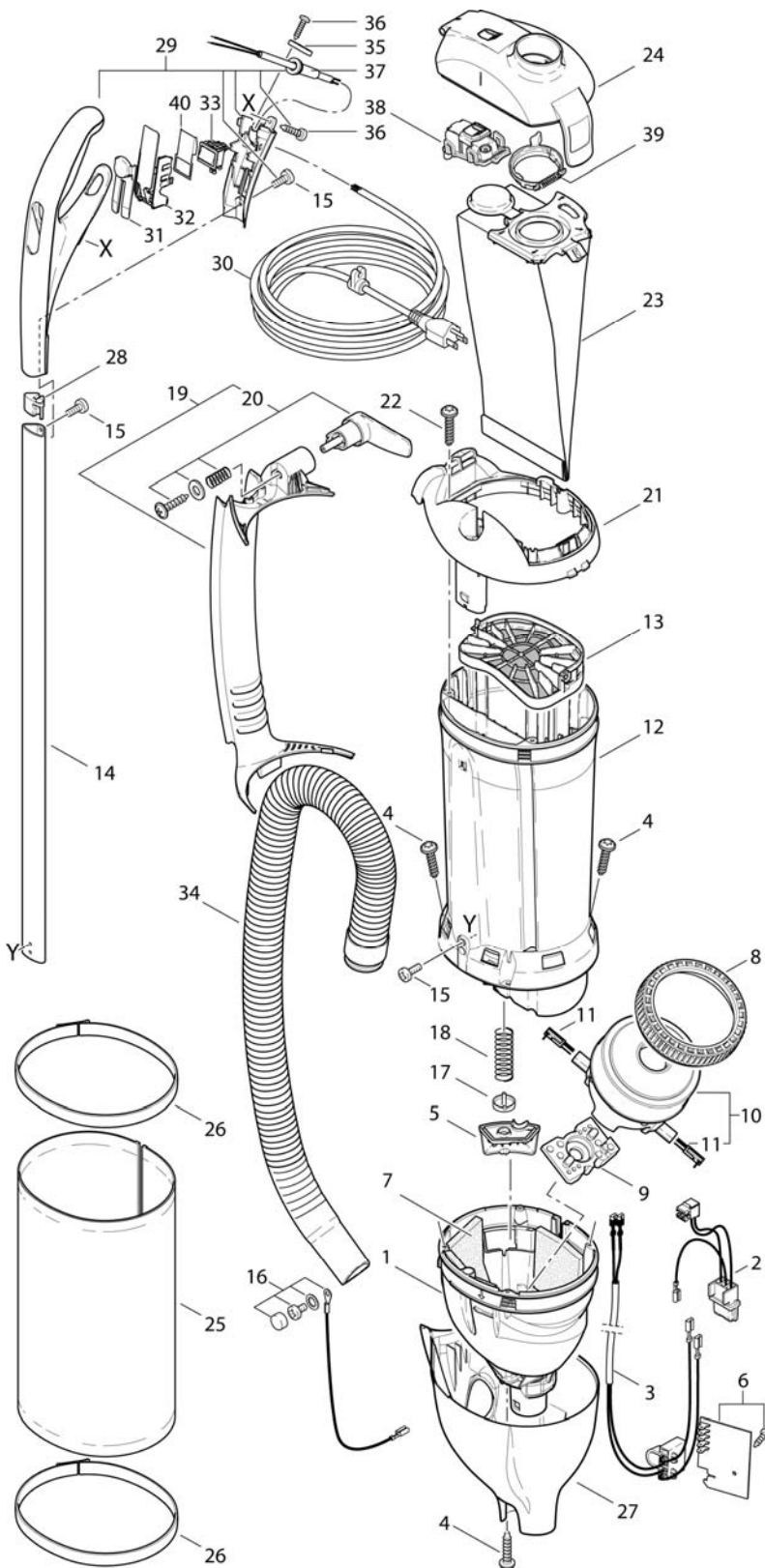
## SPARE PARTS



Ref	Part No.	Prv. No.	Description	Notes
1	86322140	7095KA	FILTER, EXHAUST	
2	86284790	7029WI	FILTER BAG	
3	86284770	7012	FILTER, MOTOR PROTECTION	
4A	86004950	5010WI	BRUSH ROLLER 12"	CV300 Only
4B	86138490	2838WI	BRUSH ROLLER 15"	CV380 Only

**CV 300**

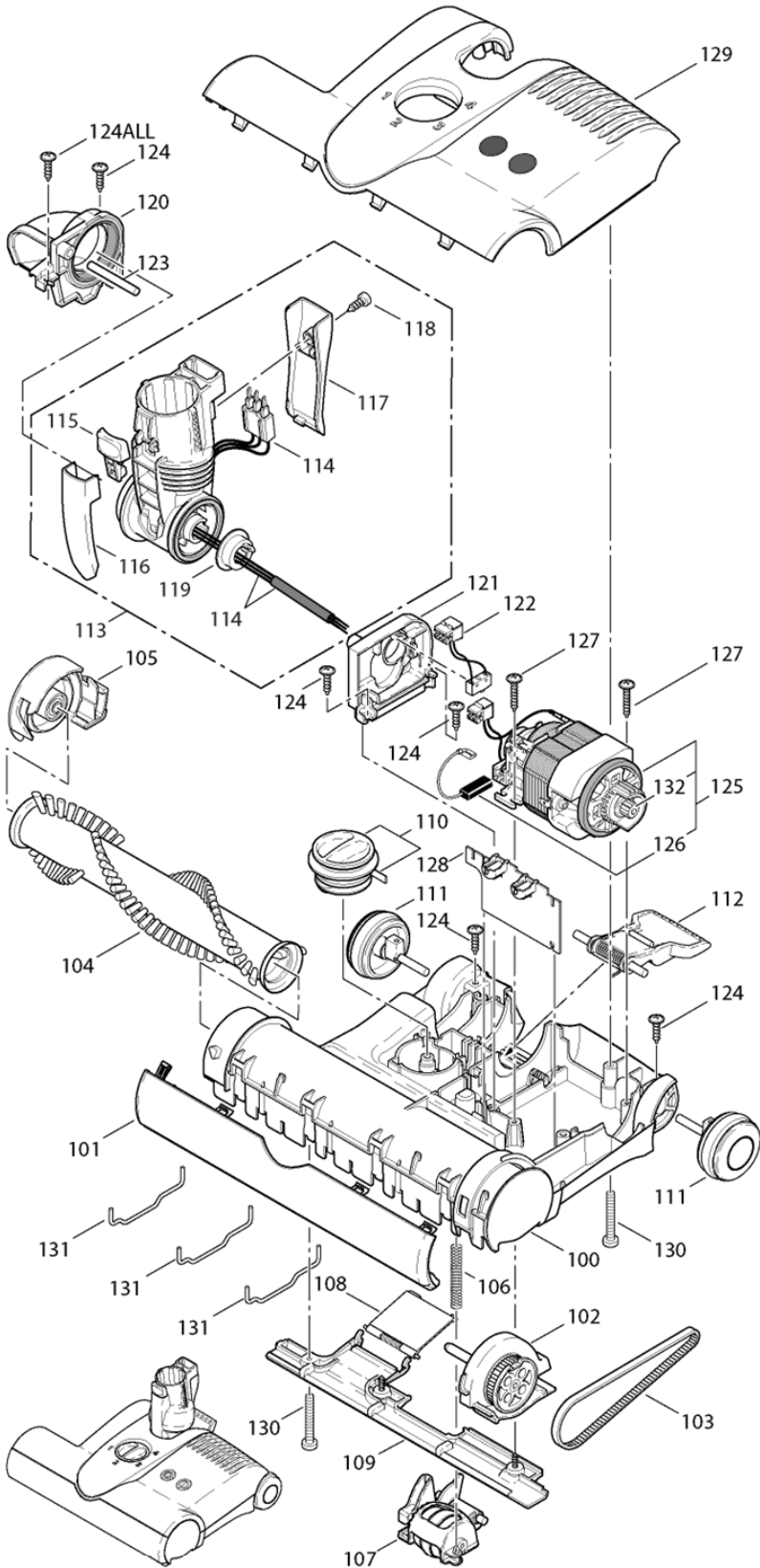
**120V**



POS.	PRODUCT CODE	PRV NO.	DESCRIPTION
1	86137750	7135DG	AIR DUCT
2	86146820	7065	INTERNAL WIRING ET
3	86142920	7096	INTERNAL CABLE
4	86144780	01016ER	SCR, 4X16-T20 STS
5	86146510	7057HG	VALVE COVER
6	86139960	7102ER	PRINTED CIRCUIT BOARD 120V
7	86145180	7098	SOUND INSULATION
8	86146380	1047	VAC MOTOR SEAL
9	86144740	7009	RUBBER MOUNTING
10	86143660	7041ER	VAC MOTOR 120V
11	86138380	05140S	CARBON BRUSH SET
12	86141270	7001WI	DUST BAG HOUSING
13	86284770	7012	FILTER, MOTOR PROTECTION
14	86142510	7080ER	HANDLE TUBE
15	86144830	0127ER	SCR M 4X10
16	86146830	7068ER	INTERNAL WIRING
17	86146490	7025	VALVE DISC
18	86322520	7028	VALVE SPRING CV
19	86322100	7090GE	HOSE DUCT YELLOW
20	86322110	7027GE	CABLE HOOK YELLOW
21	86322120	7092GE	COVER, DUST BAG HOUSING YELLOW
22	86144790	01017ER	SCR, 4X20-T20 STS
23	86284790	7029WI	FILTER BAG
24	86322130	7091GE	FILTER COVER HG YELLOW
25	86322140	7095KA	EXHAUST FILTER BLACK
26	86322150	7017SW	EXHAUST FILTER CLAMP BLACK
27	86322160	7169KA	LOWER HOUSING HG YELLOW
28	86146250	7076HG	TUBE PLUG
29	86322170	7163SW	HANDLE GRIP CPL, KARCHER
30	86322180	7126DG	CABLE WITH USA-PLUG
31	86322190	7035SB	SLIDING BUTTON SILVER
32	86322200	7073SW	HANDLE FRAME BLACK
33	86145480	05138	ROCKER SWITCH, 2 POL.
34	86142670	7050SB	HOSE DUCT
35	86139110	1030UL	CABLE CLAMP
36	86016900	0103ER	SCREW C 3,9X16
37	86292570	1035DG	GROMMET
38	86141670	7094ER	FILTER INDICATOR, CPL.
39	86144630	7018OR	RETAINING RING, CPL.
40	86309880	7142	PROTECTION FILM

# CV 300

# 120V



POS.	PRODUCT CODE	PRV NO.	DESCRIPTION
100	86322210	2324SW	CHASSIS ET1 BLACK
101	86322220	2302SW	BUMPER BLACK
102	86322230	2314DG	BEARING BLOCK LH
103	86138220	2923	BELT 333 3M HTDII-6
104	86004950	5010WI	BRUSH ROLLER 12"
105	86322240	2313SW	BEARING BLOCK RH BLACK
106	86145260	2929	SPRING
107	86322250	2316DG	PILE ADJUSTMENT ASSEMBLY DG
108	86137710	2909VO	ACCESS DOOR
109	86322260	2304DG	REAR BOTTOM PLATE CPL. DG
110	86322270	2931SW	PILE ADJUST BUTTON BLACK
111	86322280	2306SW	WHEEL BLACK
112	86141710	2937OR	FOOT PEDAL
113	86322290	2310DG	SWIVEL NECK ASM KARCHER
114	86322300	0877ER	WIRING SWIVEL NECK KARCHER
115	86322310	1737DG	RELEASE BUTTON DG
116	86322320	2962DG	BUTTON COVER DG
117	86322330	2961DG	SOCKET COVER DG
118	86144820	01027ER	SCR F 3.9 X 9.5 DIN 7981
119	86138140	2954	SWIVEL NECK BEARING
120	86145400	2311	SWIVEL NECK SUPPORT, RH
121	86145410	2312	SWIVEL NECK SUPPORT, LH
122	86145500	0882	WIRING SWIVEL NECK SWITCH
123	86317930	2928	AXLE
124	86144810	01021ER	SCREW F 3X9X13 DIN 968
125	86143500	2973ER	BRUSH MOTOR 120V, 175W
126	86138390	05141S	PAIR OF CARBON BRUSHES
127	86144800	01020ER	SCREW F 3,9X21 DIN 968
128	86144160	2983ER	PRINTED CIRCUIT BOARD
129	86322340	2337GEKA	POWER HEAD COVER KARCHER 12
130	86144840	0176TER	SCREW AM4 X 30 DIN 7985 (PKG10)
131	86146800	5402	WIRE TIE
132	86309030	2319	MOTOR PULLEY