

**Spare parts list**  
**(5.970-831.0) Spare parts list BV 5/1 \*CUL**

## Table of contents

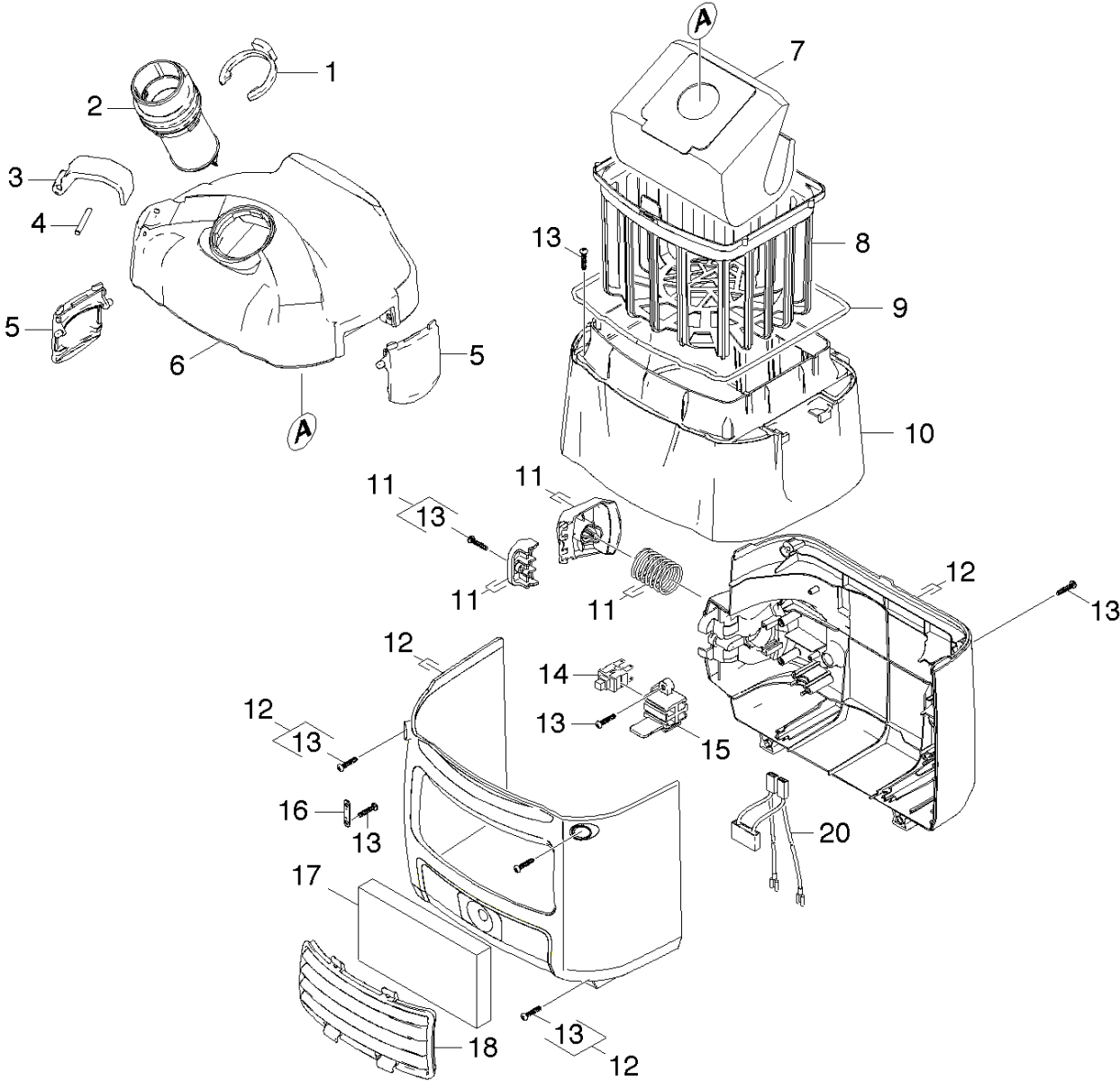
---

<b>Spare parts list BV 5/1 *CUL (5.970-831.0)</b> .....	<b>6</b>
10 Tank (0.103-964.0) .....	7
20 Vacuum motor (0.103-962.0) .....	9
30 Belt (0.103-963.0).....	11
40 Accessories (0.103-575.0).....	13

**Spare parts list BV 5/1 \*CUL (5.970-831.0)**

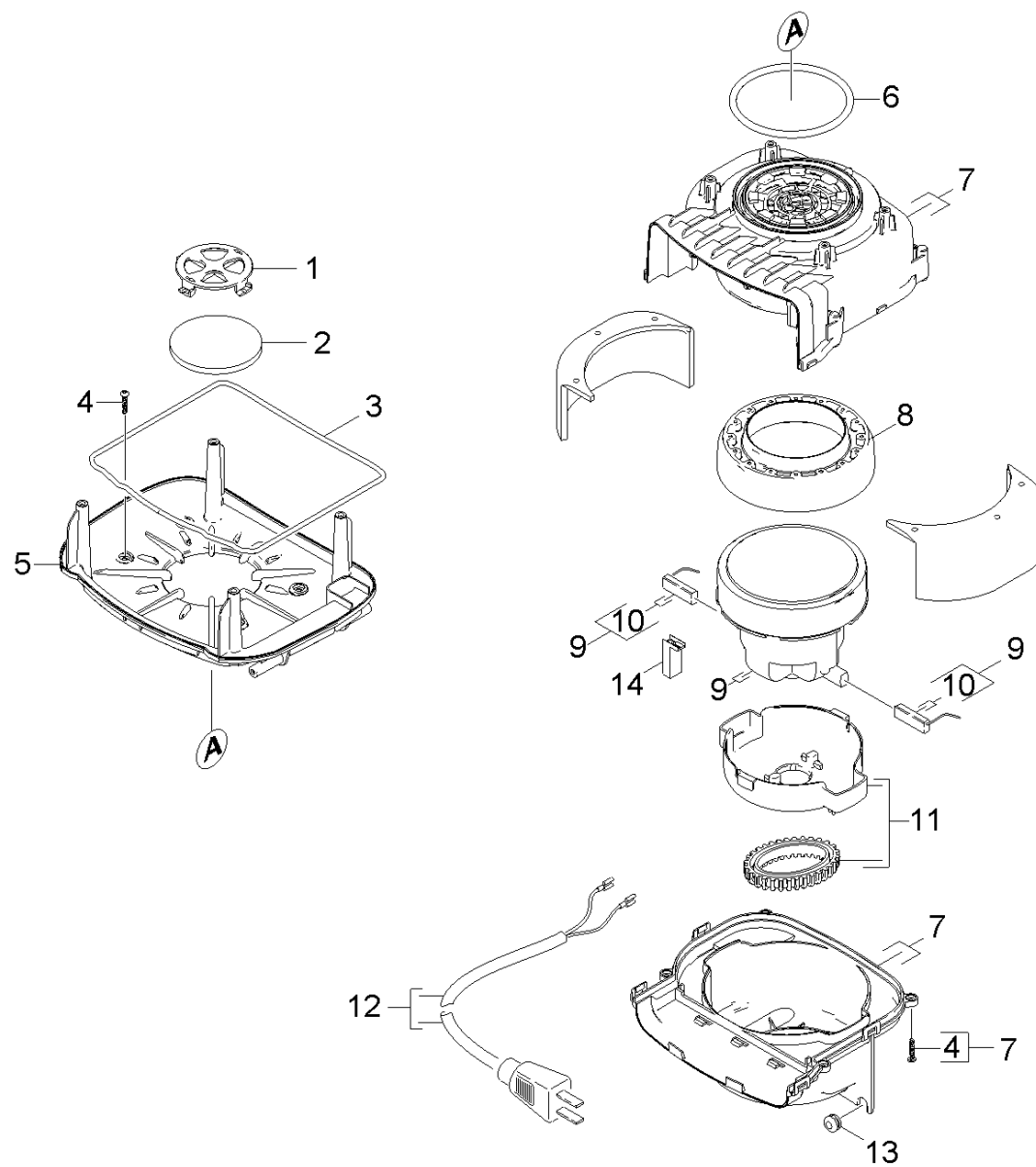
---

<b>Pos</b>	<b>Material #</b>	<b>Name</b>	<b>Qty.</b>	<b>Unit</b>
10	0.103-964.0	Tank	1.000	ST
20	0.103-962.0	Vacuum motor	1.000	ST
30	0.103-963.0	Belt	1.000	ST
40	0.103-575.0	Accessories	1.000	ST



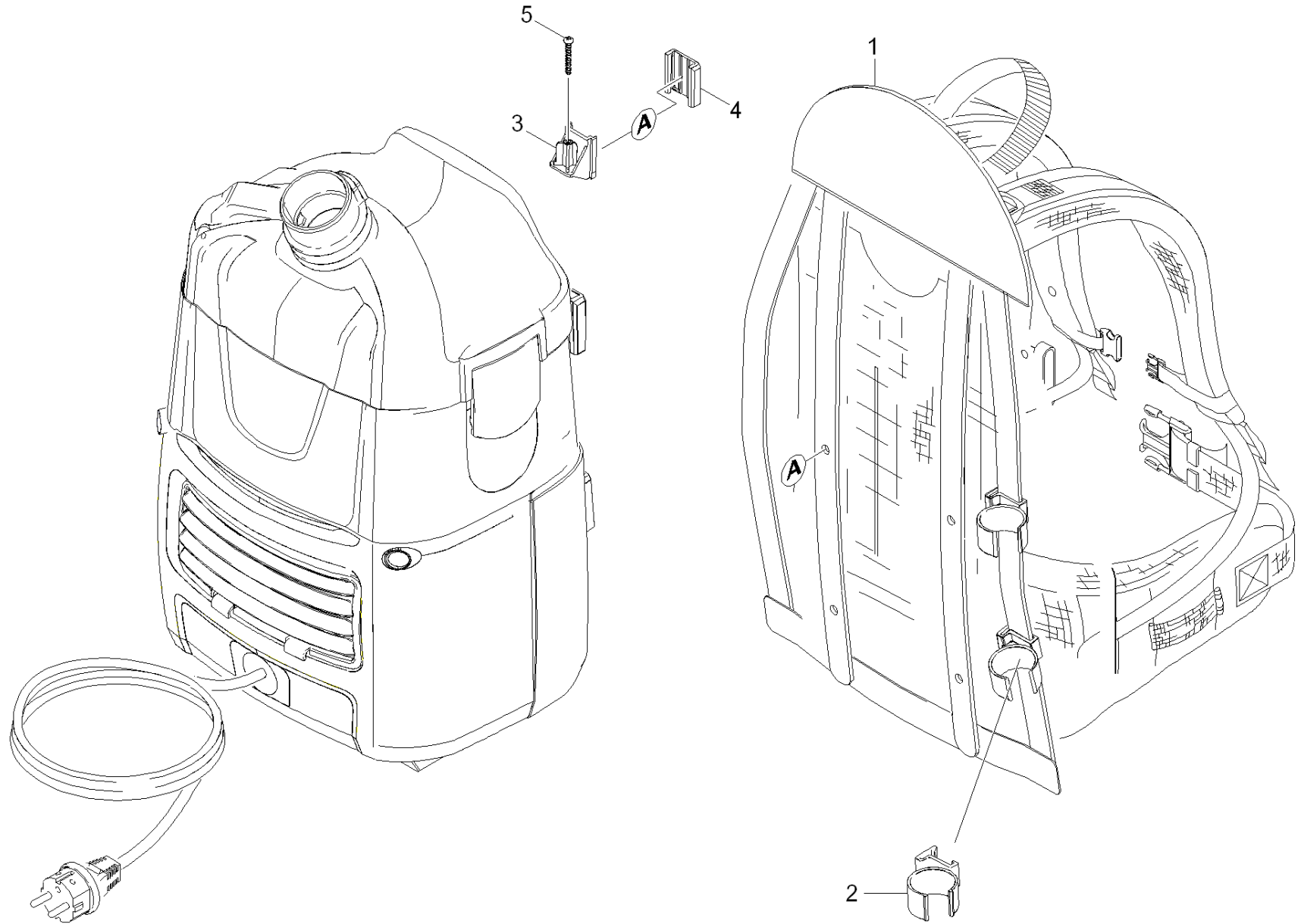
**10 Tank (0.103-964.0)**

ET/VT (spare/wear parts)	Pos	Material #	Name	Qty.	Unit
X-X	1	5.343-022.0	Locking ring	1.000	ST
X-X	2	5.033-140.0	Suction connection	1.000	ST
	3	5.037-200.0	Hook yellow	1.000	ST
	4	5.317-231.0	Bolt hook	1.000	ST
	5	5.032-568.0	Locking clip	2.000	ST
	6	5.069-206.0	Cover	1.000	ST
X-X	7	6.904-335.0	Filter bags fleece 10 Stck Kärcher	1.000	ST
X-X	8	5.731-632.0	Filtering basket packaged	1.000	ST
	9	6.273-266.0	Seal string cellular rubber D4	1.000	ST
	10	5.070-744.0	Tank	1.000	ST
	11	4.324-031.0	Pushbutton complete RAL 9005	1.000	ST
	12	4.605-095.0	Housing complete	1.000	ST
	13	7.303-084.0	Screw 4x25 -10.9-R2R (K-In6Rd)	15.000	ST
	14	6.630-032.0	Switch	1.000	ST
	15	5.033-141.0	Holder switch	1.000	ST
	16	6.903-241.0	Clamp clip	1.000	ST
X-X	17	6.414-802.0	Blowing filter	1.000	ST
	18	5.032-569.0	Grate exhaust opening	1.000	ST
X	20	4.839-394.0	Electrical small parts	1.000	ST



**20 Vacuum motor (0.103-962.0)**

ET/VT (spare/wear parts)	Pos	Material #	Name	Qty.	Unit	var. information
	1	5.032-674.0	Grate filter motor protecting	1.000	ST	
X-X	2	6.414-611.0	Filter 5 St.	1.000	ZSA	
	3	6.273-272.0	Seal string cellular rubber D2,5	1.000	ST	
	4	7.303-084.0	Screw 4x25 -10.9-R2R (K-In6Rd)	8.000	ST	
	5	5.070-745.0	Tank bottom	1.000	ST	
	6	6.273-267.0	Seal string cellular rubber D6	1.000	ST	
	7	4.605-094.0	Housing motor complete	1.000	ST	
	8	5.363-618.0	Bearing motor bottom T12/1	1.000	ST	
	9	4.610-071.0	Vacuum motor complete	1.000	ST	
	10	6.610-258.0	Carbon brush set	2.000	ST	
	11	4.605-084.0	Housing kpl.	1.000	ST	
	12	6.649-499.0	Power cable 15m PVC	1.000	ST	*CUL
	13	6.647-365.0	Cable gland	2.000	ST	
X	14	6.490-274.0	Thermal switch 125°C	1.000	ST	



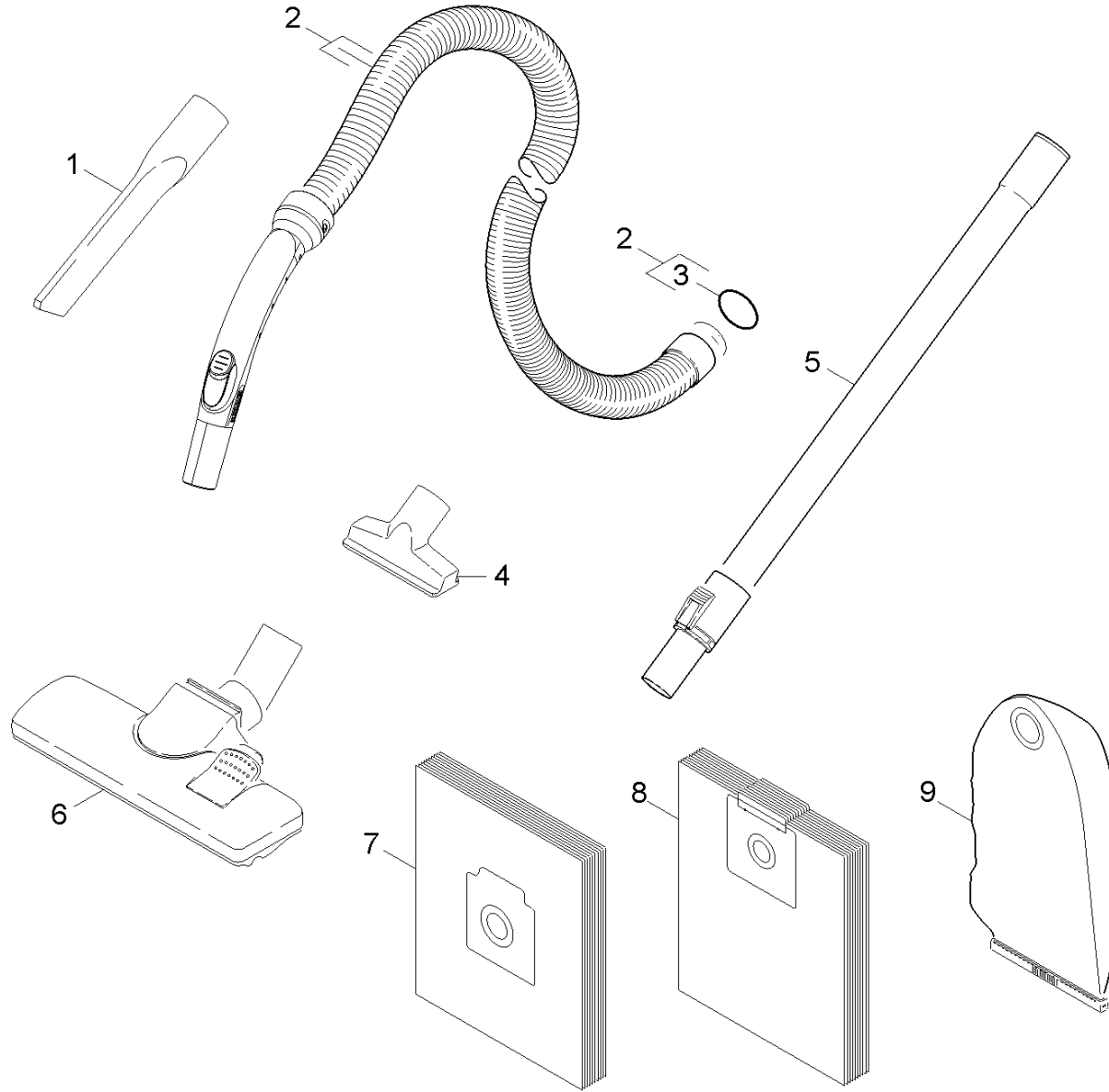


**30 Belt (0.103-963.0)**

---

ET/VT (spare/wear parts)	Pos	Material #	Name	Qty.	Unit
	1	9.411-061.0	Frame	1.000	ST
X	2	5.033-142.0	Clip	2.000	ST
	3	5.044-881.0	Holder frame	4.000	ST
	4	5.033-330.0	Covering cap	4.000	ST
X	5	7.303-129.0	Screw 4x16 -10.9-R2R (K-In6Rd)	2.000	ST

---



**40 Accessories (0.103-575.0)**

ET/VT (spare/wear parts)	Pos	Material #	Name	Qty.	Unit
X-X	1	6.903-403.0	Crevice nozzle DN32	1.000	ST
X-X	2	9.418-507.0	Suction hose complete	1.000	ST
	3	6.363-182.0	O-Ring seal 30,2 x 3,0	1.000	ST
X-X	4	6.903-402.0	Upholstery nozzle DN32	1.000	ST
X-X	5	6.903-524.0	Telescopic suction tube	1.000	ST
X-X	6	6.906-211.0	Combination nozzle DN32	1.000	ST
X-X	7	6.904-403.0	Paper filtering bag Basic 10 Stck.	1.000	ST
X-X	8	6.904-335.0	Filter bags fleece 10 Stck Kärcher	1.000	ST
X	9	6.904-425.0	Filter bag cloth	1.000	ST