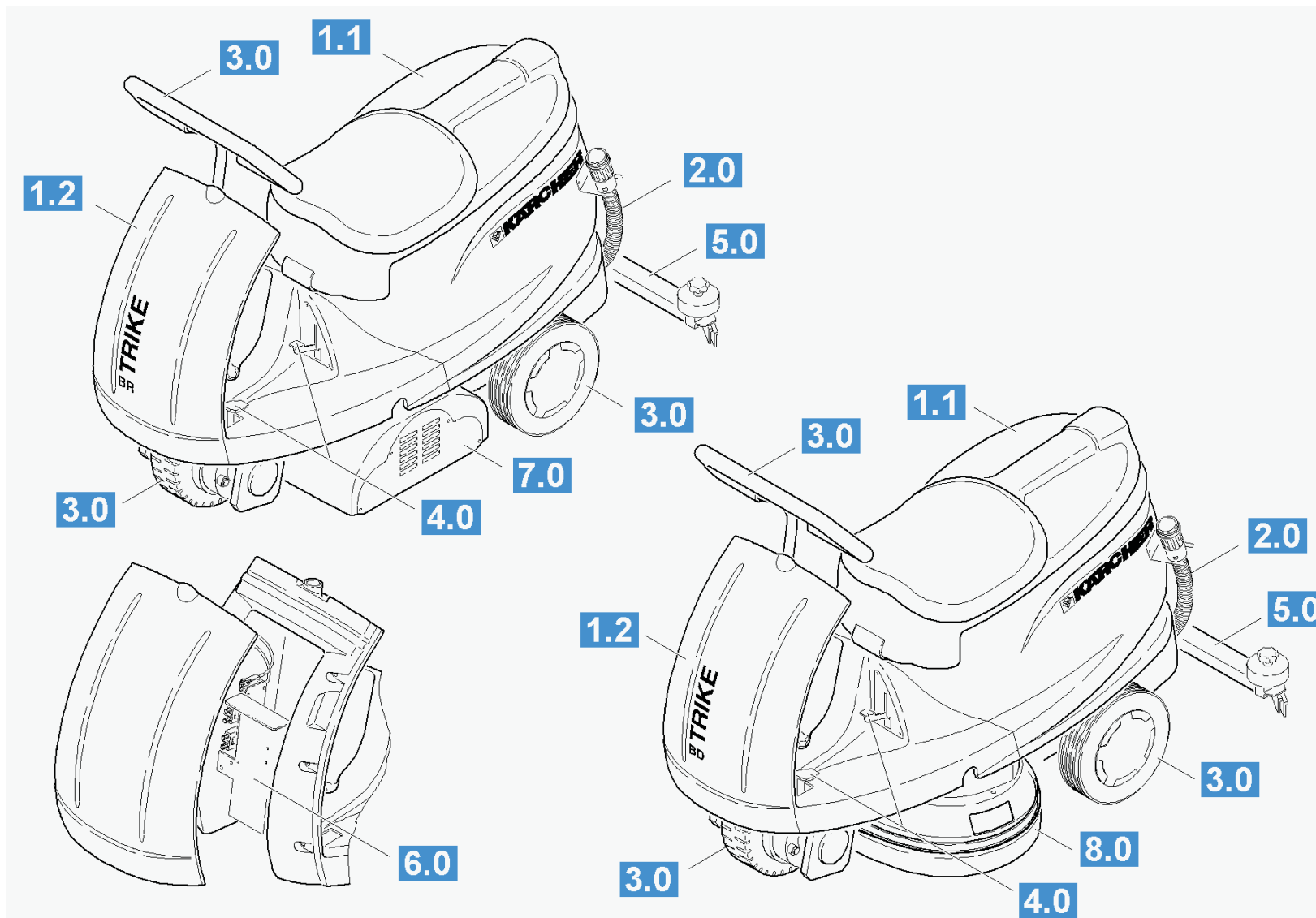


Spare parts list
(59582860) Spare parts list BR/BD TRIKE

| | |
|--|----|
| Spare parts list BR/BD TRIKE (59582860)..... | 3 |
| 10 Individual parts (01628140)..... | 5 |
| 11 Seat (01628150)..... | 6 |
| 12 Front component (01628160)..... | 10 |
| 13 Front component (01614890)..... | 13 |
| 14 Control console (01632340)..... | 16 |
| 20 Water tank (01628170)..... | 19 |
| 30 Carriage (01634550)..... | 22 |
| 31 Carriage (01628180)..... | 23 |
| 32 Wheel drive motor (01634540)..... | 27 |
| 40 Operating element (01632350)..... | 29 |
| 41 Operating elements (01628190)..... | 30 |
| 58 Conversion kit tackle potentiometer (28824930)..... | 33 |
| 42 Operating element (01639440)..... | 34 |
| 43 Operating element (01632360)..... | 37 |
| 50 Suction bar (01628200)..... | 40 |
| 51 Bracket suction bar (01628210)..... | 41 |
| 52 Suction bar (01631240)..... | 43 |
| 53 Suction bar (01635600)..... | 46 |
| 54 Suction bar (01648310)..... | 49 |
| 55 Suction bar (01102360)..... | 52 |
| 60 Electronic control (01638060)..... | 55 |
| 61 Electronic control (01628670)..... | 56 |
| 21 Spare part set (28838730)..... | 59 |
| 62 Electronic control (01638070)..... | 60 |
| 63 Electronic control (01644790)..... | 63 |
| 70 Power brush BR (01628230)..... | 66 |
| 80 Power brush BD (01628560)..... | 70 |
| 81 Bottom part (01628570)..... | 72 |
| 82 Top part (01628580)..... | 75 |
| 90 Pad roll (01627570)..... | 78 |
| 100 Suction hose (01643460)..... | 80 |

Spare parts list BR/BD TRIKE (59582860)

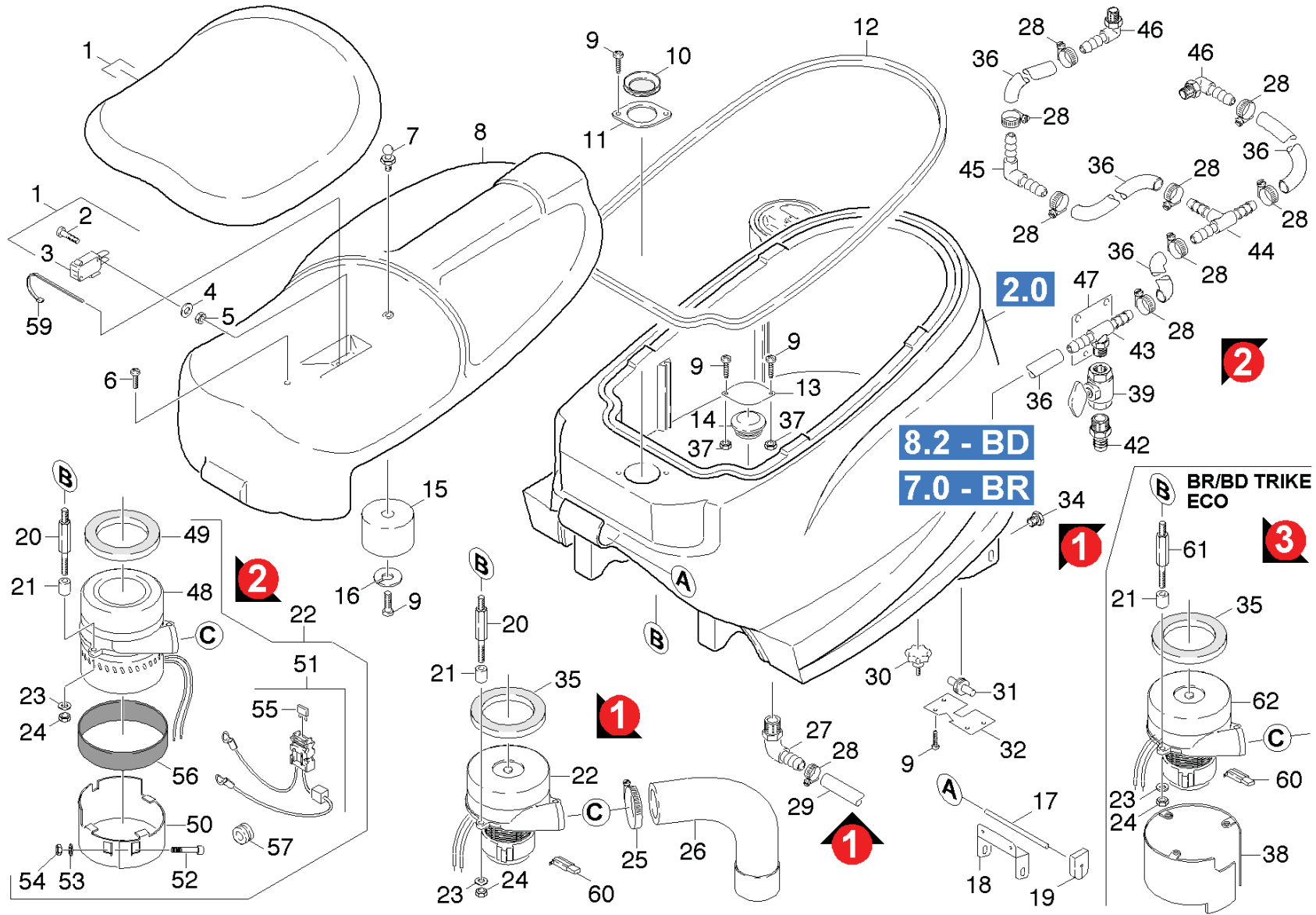


Spare parts list BR/BD TRIKE (59582860)

| pos | Article no. | Description | from ser.nr. | up to ser.nr. |
|-----|-------------|--------------------|--------------|---------------|
| 10 | 01628140 | Individual parts | 0000000000 | 0000000000 |
| 20 | 01628170 | Water tank | 0000000000 | 0000000000 |
| 30 | 01634550 | Carriage | 0000000000 | 0000000000 |
| 40 | 01632350 | Operating element | 0000000000 | 0000000000 |
| 50 | 01628200 | Suction bar | 0000000000 | 0000000000 |
| 60 | 01638060 | Electronic control | 0000000000 | 0000000000 |
| 70 | 01628230 | Power brush BR | 0000000000 | 0000000000 |
| 80 | 01628560 | Power brush BD | 0000000000 | 0000000000 |
| 90 | 01627570 | Pad roll | 0000000000 | 0000000000 |
| 100 | 01643460 | Suction hose | 0000000000 | 0000000000 |

10 Individual parts (01628140)

| pos | Article no. | Description | from ser.nr. | up to ser.nr. | var. information |
|-----|-------------|-----------------|--------------|---------------|------------------|
| 11 | 01628150 | Seat | 0000000000 | 0000000000 | |
| 12 | 01628160 | Front component | 0000000000 | 0000000000 | BR/BD TRIKE |
| 13 | 01614890 | Front component | 0000000000 | 0000000000 | BR/BD TRIKE ECO |
| 14 | 01632340 | Control console | 0000000000 | 0000000000 | |



11 Seat (01628150)

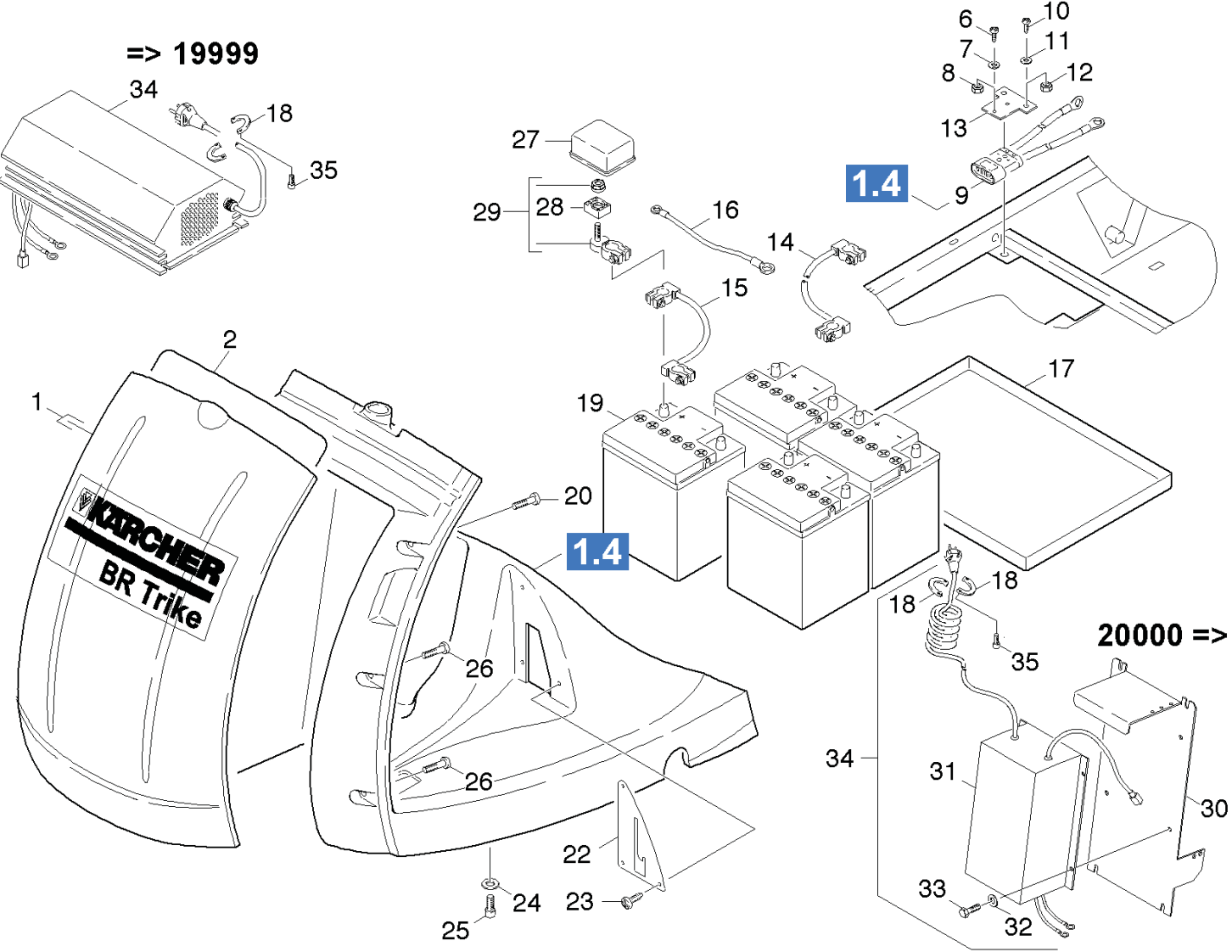
| ET/VT | pos | Article no. | Description | Quantity | Selling Unit | from ser.nr. | up to ser.nr. | var. information | Fußnotentext |
|-------|-----|-------------|--------------------------------|----------|--------------|--------------|---------------|------------------|-----------------------|
| | 1 | 46050390 | Housing seat complete TRIKE | 1.000 | ST | 0000000000 | 0000000000 | | |
| | 2 | 73060450 | Screw M2x20 -8.8-A2R (In6Rd) | 2.000 | ST | 0000000000 | 0000000000 | | |
| | 3 | 66318540 | Micro switch | 1.000 | ST | 0000000000 | 0000000000 | | |
| | 4 | 73120430 | Washer 3-A2 ISO 7089 | 2.000 | ST | 0000000000 | 0000000000 | | |
| | 5 | 73110740 | Hexagon nut M 2-8-A2E ISO 4032 | 2.000 | ST | 0000000000 | 0000000000 | | |
| | 6 | 73061930 | Screw M6x16 -A2-70 (In6Rd) | 1.000 | ST | 0000000000 | 0000000000 | | |
| | 7 | 53169090 | Bolt only for replacement | 1.000 | ST | 0000000000 | 0000000000 | | |
| | 8 | 50638270 | Cap of a tank | 1.000 | ST | 0000000000 | 0000019999 | | |
| | 8 | 50639320 | Cover | 1.000 | ST | 0000020000 | 0000000000 | | |
| | 9 | 73031070 | Screw 5x16 -10.9-P2R (K-In6Rd) | 6.000 | ST | 0000000000 | 0000000000 | | |
| X-X | 10 | 53633440 | Joint ring | 1.000 | ST | 0000000000 | 0000000000 | | |
| | 11 | 50017520 | Plate | 1.000 | ST | 0000000000 | 0000000000 | | |
| X-X | 12 | 63660430 | Sealing profile | 1.000 | M | 0000000000 | 0000000000 | | TO ORDER AS CUT GOODS |
| | 13 | 50018880 | Plate 328 | 1.000 | ST | 0000000000 | 0000000000 | | |
| | 14 | 51321240 | Plug | 1.000 | ST | 0000000000 | 0000000000 | | |
| X- | 15 | 55850580 | Float BR/BD 530 | 1.000 | ST | 0000000000 | 0000000000 | | |
| | 16 | 51157540 | Washer | 1.000 | ST | 0000000000 | 0000000000 | | |
| | 17 | 51002630 | Shaft | 1.000 | ST | 0000000000 | 0000000000 | | |
| | 18 | 50441910 | Holder | 1.000 | ST | 0000000000 | 0000000000 | | |
| | 19 | 51321290 | Plug | 1.000 | ST | 0000000000 | 0000000000 | | |
| | 20 | 53080560 | Stud bolt | 3.000 | ST | 0000000000 | 0000000000 | | |
| X-X | 21 | 63390210 | Rubber buffer 2xM6-D20 H15 | 3.000 | ST | 0000000000 | 0000000000 | | |
| | 22 | 26399060 | Conversion kit turbine TRIKE | 1.000 | ST | 0000021960 | 0000000000 | | |
| X-X | 22 | 64901150 | Vacuum motor 24V | 1.000 | ST | 0000000000 | 0000021959 | | |
| | 23 | 73122760 | Washer 6 -200HV-A2E ISO7093-1 | 3.000 | ST | 0000000000 | 0000000000 | | |

11 Seat (01628150)

| ET/VT | pos | Article no. | Description | Quantity | Selling Unit | from ser.nr. | up to ser.nr. | var. information | Fußnotentext |
|-------|-----|-------------|---|----------|--------------|--------------|---------------|------------------|-----------------------|
| | 24 | 73110030 | Hexagon nut M6 -8-A2E ISO 4032 | 3.000 | ST | 0000000000 | 0000000000 | | |
| | 25 | 63885630 | Hose clip | 1.000 | ST | 0000000000 | 0000000000 | | |
| | 26 | 63902150 | Soundproof hose | 1.000 | ST | 0000000000 | 0000000000 | | |
| | 27 | 63900020 | Angle bushing | 1.000 | ST | 0000000000 | 0000000000 | | |
| | 28 | 66414740 | Cable tape 8-210 | 1.000 | ST | 0000000000 | 0000000000 | | |
| | 29 | 63882480 | Hose DN12,5 | 1.000 | M | 0000000000 | 0000000000 | | TO ORDER AS CUT GOODS |
| | 30 | 63211480 | Star grip | 1.000 | ST | 0000000000 | 0000000000 | | |
| | 31 | 51002610 | Shaft roller | 2.000 | ST | 0000000000 | 0000019999 | | |
| | 32 | 50492540 | Sheet metal component | 1.000 | ST | 0000000000 | 0000019999 | * USA | |
| | 32 | 50482830 | Sheet metal component | 1.000 | ST | 0000000000 | 0000019999 | * EUR | |
| | 34 | 73822350 | Screw plug M18x1,5-A-CuZn DIN 7604 | 1.000 | ST | 0000000000 | 0000000000 | | |
| X-X | 35 | 53631950 | Joint ring | 1.000 | ST | 0000000000 | 0000000000 | | |
| X- | 36 | 63903240 | Hose DN15 | 1.000 | M | 0000000000 | 0000000000 | | TO ORDER AS CUT GOODS |
| | 37 | 73110670 | Hexagon nut M 6-A2-70 ISO 4032 | 2.000 | ST | 0000000000 | 0000000000 | | |
| | 38 | 50069890 | Plate vacuum motor BR/BD TRIKE | 1.000 | ST | 0000000000 | 0000000000 | | |
| | 39 | 64133780 | Stop cock R 1/2 zoll | 1.000 | ST | 0000000000 | 0000000000 | | |
| | 42 | 63896920 | Hose stem 1/2" | 1.000 | ST | 0000000000 | 0000000000 | | |
| | 43 | 63903270 | Screwed socket | 1.000 | ST | 0000000000 | 0000000000 | | |
| | 44 | 63883970 | T-Hose nozzle 16-16-16 | 1.000 | ST | 0000000000 | 0000000000 | | |
| | 45 | 63903260 | Elbow connector | 1.000 | ST | 0000000000 | 0000000000 | | |
| | 46 | 63903280 | Angle bushing | 2.000 | ST | 0000000000 | 0000000000 | | |
| | 47 | 77779990 | Stockpiling discontinued | 1.000 | ST | 0000000000 | 0000000000 | | |
| X- | 48 | 64901900 | Vacuum motor electronic commutating 24V | 1.000 | ST | 0000021960 | 0000000000 | | |
| X-X | 49 | 53635740 | Joint ring | 1.000 | ST | 0000021960 | 0000000000 | | |
| | 50 | 50073410 | Plate | 1.000 | ST | 0000021960 | 0000000000 | | |

11 Seat (01628150)

| ET/VT | pos | Article no. | Description | Quantity | Selling Unit | from ser.nr. | up to ser.nr. | var. information | Fußnotentext |
|-------|-----|-------------|---|----------|--------------|--------------|---------------|------------------|-----------------------|
| | 51 | 66002450 | Protective diode TRIKE | 1.000 | ST | 0000021960 | 0000000000 | | |
| | 52 | 73060440 | Cylinder head screw M8x35 -8.8-A2E ISO4 | 1.000 | ST | 0000021960 | 0000000000 | | |
| | 53 | 73120040 | Washer 8 -200HV-A3E ISO 7090 | 1.000 | ST | 0000021960 | 0000000000 | | |
| | 54 | 73115100 | Hexagon nut M 8-8-A2E ISO 7040 | 1.000 | ST | 0000021960 | 0000000000 | | |
| | 55 | 76440180 | Fuse insert C15 DIN 72581-3 | 1.000 | ST | 0000021960 | 0000000000 | | |
| | 56 | 62731200 | Adhesiv cloth tape Zellkautschuk | 1.000 | M | 0000021960 | 0000000000 | | TO ORDER AS CUT GOODS |
| | 57 | 66478810 | Cable gland | 1.000 | ST | 0000000000 | 0000000000 | | |
| | 59 | 66414630 | Cable tape | 1.000 | ST | 0000000000 | 0000000000 | | |
| | 60 | 28830100 | Carbon brush set | 1.000 | ST | | | | VERSION 3 |
| | 60 | 66100220 | Carbon brush | 2.000 | ST | 0000000000 | 0000021959 | AMTEK | VERSION 1 |
| | 61 | 53080660 | Stud bolt | 3.000 | ST | 0000000000 | 0000000000 | | |
| X-X | 62 | 64900360 | Vacuum motor 24 V 550W | 1.000 | ST | 0000000000 | 0000000000 | | |

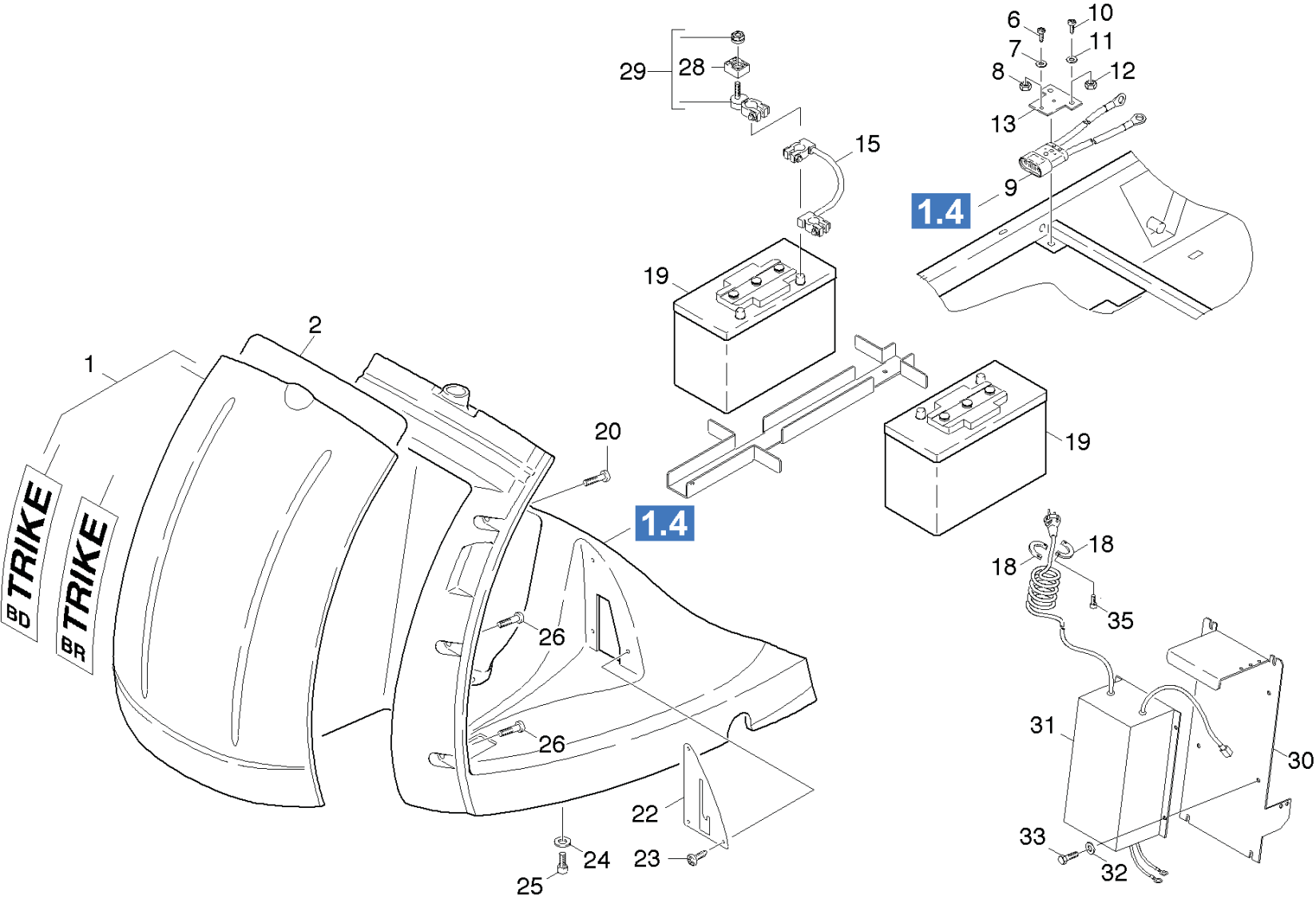


12 Front component (01628160)

| ET/VT | pos | Article no. | Description | Quantity | Selling Unit | from ser.nr. | up to ser.nr. | var. information | Fußnotentext |
|---|-----|-------------|--|----------|--------------|--------------|---------------|------------------|-----------------------|
| X- | 1 | 40662710 | Covering cap complete only for replaceme | 1.000 | ST | 0000000000 | 0000000000 | | |
| | 2 | 62731450 | Cord cellular rubber | 1.000 | ZST | | | | TO ORDER AS CUT GOODS |
| | 6 | 73060550 | Screw M3x20 -8.8-R2R (In6Rd) | 2.000 | ST | 0000000000 | 0000000000 | | |
| | 7 | 73110000 | Hexagon nut M3 -8-A2E ISO 4032 | 2.000 | ST | 0000000000 | 0000000000 | | |
| | 8 | 73122800 | Washer 3 -200HV-A2E ISO7093-1 | 2.000 | ST | 0000000000 | 0000000000 | | |
| | 9 | 66482560 | Cable | 1.000 | ST | | | | |
| Positionstext: //1.161-209/ -210.0 | | | | | | | | | |
| | 10 | 73061930 | Screw M6x16 -A2-70 (In6Rd) | 2.000 | ST | 0000000000 | 0000000000 | | |
| | 11 | 73120260 | Washer 6 -A2 ISO 7090 | 2.000 | ST | 0000000000 | 0000000000 | | |
| | 12 | 73110670 | Hexagon nut M 6-A2-70 ISO 4032 | 2.000 | ST | 0000000000 | 0000000000 | | |
| | 13 | 50492840 | Sheet metal component | 1.000 | ST | 0000000000 | 0000000000 | | |
| Positionstext: //1.161-209/ -210.0 | | | | | | | | | |
| | 14 | 66477370 | Cable battery | 1.000 | ST | 0000000000 | 0000000000 | | |
| Positionstext: //1.161-103/ -104/ -202/ -203/ -204/-211/ -212.0 | | | | | | | | | |
| | 15 | 66477380 | Cable battery | 2.000 | ST | 0000000000 | 0000000000 | | |
| Positionstext: //1.161-103/ -104/ -202/ -203/ -204/-211/ -212.0 | | | | | | | | | |
| X-X | 16 | 66482980 | Cable black 10,0mm²x300mm | 1.000 | ST | 0000000000 | 0000000000 | | |
| Positionstext: //1.161-209/ -210.0 | | | | | | | | | |
| | 17 | 50390420 | Tub battery BR/BD TRIKE, 750 | 1.000 | ST | 0000000000 | 0000000000 | | |
| Positionstext: //1.161-209/ -210.0 | | | | | | | | | |
| | 18 | 51161120 | Washer | 2.000 | ST | 0000000000 | 0000000000 | | |
| X-X | 19 | 66541240 | Battery DETA | 4.000 | ST | 0000000000 | 0000000000 | 6V/180AH | MAINTENANCE-FREE |
| Positionstext: //1.161-103/ -104/ -203/ -204.0 | | | | | | | | | |
| | 19 | 66541300 | Battery kit DETA | 1.000 | ZSA | 0000000000 | 0000000000 | | |
| Positionstext: //1.161-211/ -212.0 | | | | | | | | | |

12 Front component (01628160)

| ET/VT | pos | Article no. | Description | Quantity | Selling Unit | from ser.nr. | up to ser.nr. | var. information | Fußnotentext |
|---|-----|-------------|--|----------|--------------|--------------|---------------|------------------|--------------|
| | 20 | 73031100 | Screw 5x35 -10.9-R2R (In6Rd) | 2.000 | ST | 0000000000 | 0000000000 | | |
| X-X | 21 | 66443480 | Nut with flange | 1.000 | ST | | | | |
| | 22 | 51310420 | Screen 293 | 1.000 | ST | 0000000000 | 0000000000 | | |
| | 23 | 73031070 | Screw 5x16 -10.9-P2R (K-In6Rd) | 3.000 | ST | 0000000000 | 0000000000 | | |
| X- | 24 | 73120170 | Washer 8-A2 ISO 7089 | 4.000 | ST | 0000000000 | 0000000000 | | |
| X- | 25 | 73061440 | Cylinder head screw M 8x20-A2-70 ISO 47 | 4.000 | ST | 0000000000 | 0000000000 | | |
| | 26 | 73031110 | Screw 5x50 -10.9-R2R (K-In6Rd) | 4.000 | ST | 0000000000 | 0000000000 | | |
| | 27 | 63682940 | Protecting cap black 1/4" PVC | 1.000 | ST | 23530 | | | |
| Positionstext: //1.161-201/ -202/ -203/ -204/ -209/ -210/ -211.0 / -212.0 | | | | | | | | | |
| X-X | 28 | 66443330 | Fuse 150A | 1.000 | ST | 23530 | | | |
| Positionstext: //1.161-201/ -202/ -203/ -204/ -209/ -210/ -211.0 / -212.0 | | | | | | | | | |
| | 29 | 66438830 | Pole binder single | 1.000 | ST | 23530 | | | |
| Positionstext: //1.161-201/ -202/ -203/ -204/ -209/ -210/ -211.0 / -212.0 | | | | | | | | | |
| | 30 | 50586170 | Plate battery charger | 1.000 | ST | 0000000000 | 0000000000 | | |
| Positionstext: //1.161-203/ -204/ -211/ -212.0 | | | | | | | | | |
| | 31 | 77779990 | Stockpiling discontinued | 1.000 | ST | 0000000000 | 0000000000 | | |
| Positionstext: //1.161-203/ -204/ -211/ -212.0 | | | | | | | | | |
| | 32 | 73120020 | Washer 5-200HV-A3E ISO 7090 | 4.000 | ST | 0000000000 | 0000000000 | | |
| | 33 | 73030380 | Screw M5x12 -St-P2R (In6Rd) | 4.000 | ST | 0000000000 | 0000000000 | | |
| | 34 | 66541800 | Battery charger VEX BRBD | 1.000 | ST | | | 90-240V | |
| Positionstext: //1.161-201/ -202.0 | | | | | | | | | |
| X- | 34 | 48393240 | Battery charger complete only for replac | 1.000 | ST | 20000 | | | |
| Positionstext: //1.161-203/ -204/ -211/ -212.0 | | | | | | | | | |
| | 34 | 77779990 | Stockpiling discontinued | 1.000 | ST | | 19999 | | |
| | 35 | 73031340 | Screw 4x8 -10.9-R2R (K-In6Rd) | 2.000 | ST | 0000000000 | 0000000000 | | |



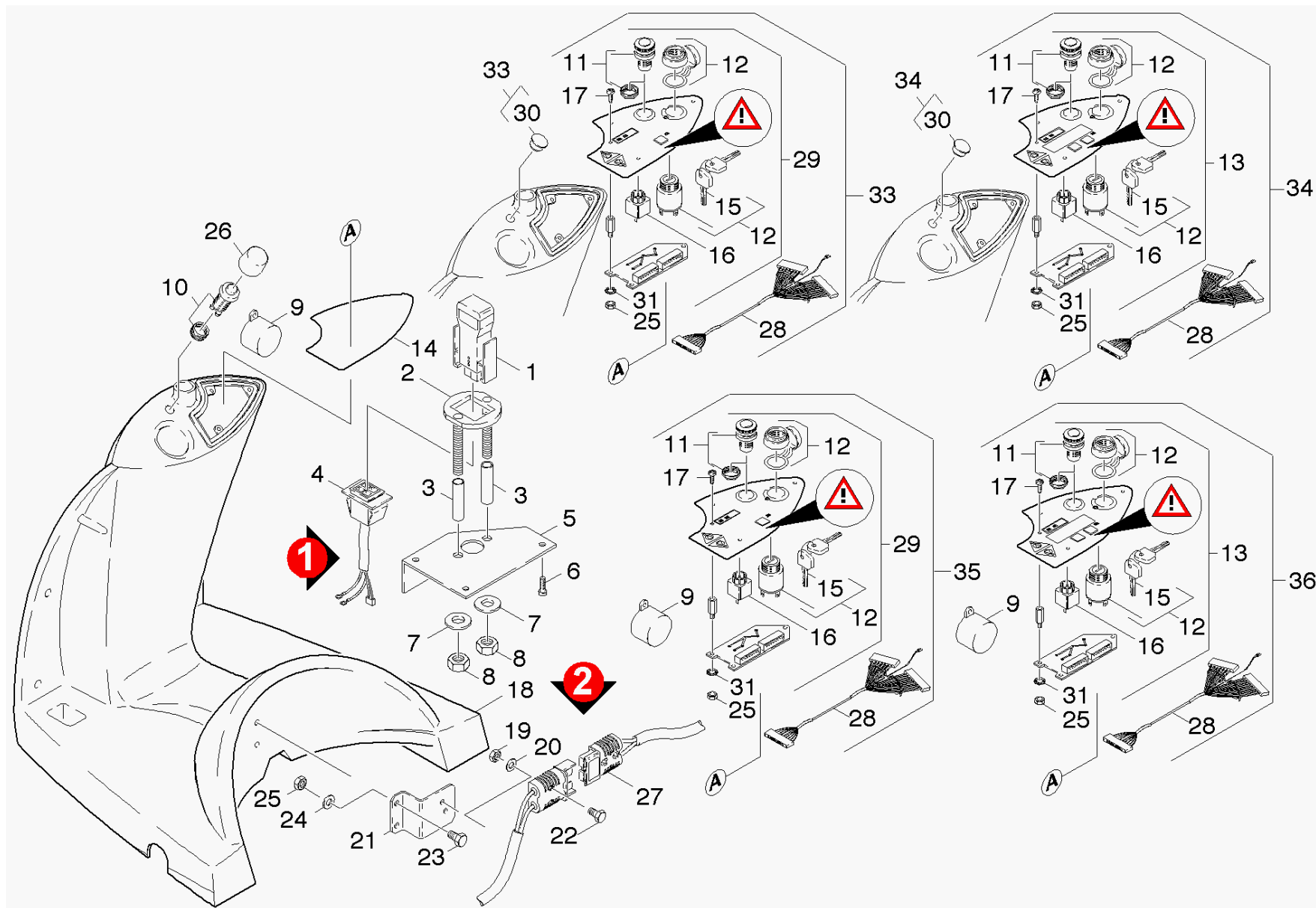
13 Front component (01614890)

| ET/VT | pos | Article no. | Description | Quantity | Selling Unit | from ser.nr. | up to ser.nr. | Fußnotentext |
|-------|-----|-------------|--|----------|--------------|--------------|---------------|-----------------------|
| X- | 1 | 40662710 | Covering cap complete only for replaceme | 1.000 | ST | 0000000000 | 0000000000 | |
| | 2 | 62731450 | Cord cellular rubber | 1.000 | ZST | 0000000000 | 0000000000 | TO ORDER AS CUT GOODS |
| | 6 | 73060550 | Screw M3x20 -8.8-R2R (In6Rd) | 2.000 | ST | 0000000000 | 0000000000 | |
| | 7 | 73110000 | Hexagon nut M3 -8-A2E ISO 4032 | 2.000 | ST | 0000000000 | 0000000000 | |
| | 8 | 73122800 | Washer 3 -200HV-A2E ISO7093-1 | 2.000 | ST | 0000000000 | 0000000000 | |
| | 9 | 66482560 | Cable | 1.000 | ST | 0000000000 | 0000000000 | |
| | 10 | 73061930 | Screw M6x16 -A2-70 (In6Rd) | 2.000 | ST | 0000000000 | 0000000000 | |
| | 11 | 73120260 | Washer 6 -A2 ISO 7090 | 2.000 | ST | 0000000000 | 0000000000 | |
| | 12 | 73110670 | Hexagon nut M 6-A2-70 ISO 4032 | 2.000 | ST | 0000000000 | 0000000000 | |
| | 13 | 50492840 | Sheet metal component | 1.000 | ST | 0000000000 | 0000000000 | |
| X-X | 14 | 66443480 | Nut with flange | 1.000 | ST | | | |
| | 15 | 66477380 | Cable battery | 1.000 | ST | 0000000000 | 0000000000 | |
| | 18 | 51161120 | Washer | 2.000 | ST | 0000000000 | 0000000000 | |
| X- | 19 | 66541410 | Drive battery maintenance free 12V, 105A | 2.000 | ST | 0000000000 | 0000000000 | MAINTENANCE-FREE |
| | 20 | 73031100 | Screw 5x35 -10.9-R2R (In6Rd) | 2.000 | ST | 0000000000 | 0000000000 | |
| | 22 | 51310420 | Screen 293 | 1.000 | ST | 0000000000 | 0000000000 | |
| | 23 | 73031070 | Screw 5x16 -10.9-P2R (K-In6Rd) | 3.000 | ST | 0000000000 | 0000000000 | |
| X- | 24 | 73120170 | Washer 8-A2 ISO 7089 | 4.000 | ST | 0000000000 | 0000000000 | |
| X- | 25 | 73061440 | Cylinder head screw M 8x20-A2-70 ISO 47 | 4.000 | ST | 0000000000 | 0000000000 | |
| | 26 | 73031110 | Screw 5x50 -10.9-R2R (K-In6Rd) | 4.000 | ST | 0000000000 | 0000000000 | |
| X-X | 28 | 66443330 | Fuse 150A | 1.000 | ST | 0000000000 | 0000000000 | |
| | 29 | 66438830 | Pole binder single | 1.000 | ST | 0000000000 | 0000000000 | |
| | 30 | 50586170 | Plate battery charger | 1.000 | ST | 0000000000 | 0000000000 | |
| | 31 | 66541770 | Battery charger BR 55/60 W Eco 24V | 1.000 | ST | 0000000000 | 0000000000 | |

Positionstext: //1.161-110.0

13 Front component (01614890)

| ET/VT | pos | Article no. | Description | Quantity | Selling Unit | from ser.nr. | up to ser.nr. | Fußnotentext |
|-------|-----|-------------|-------------------------------|----------|--------------|--------------|---------------|--------------|
| | 32 | 73120020 | Washer 5-200HV-A3E ISO 7090 | 4.000 | ST | 0000000000 | 0000000000 | |
| | 33 | 73030380 | Screw M5x12 -St-P2R (In6Rd) | 4.000 | ST | 0000000000 | 0000000000 | |
| | 35 | 73031340 | Screw 4x8 -10.9-R2R (K-In6Rd) | 2.000 | ST | 0000000000 | 0000000000 | |

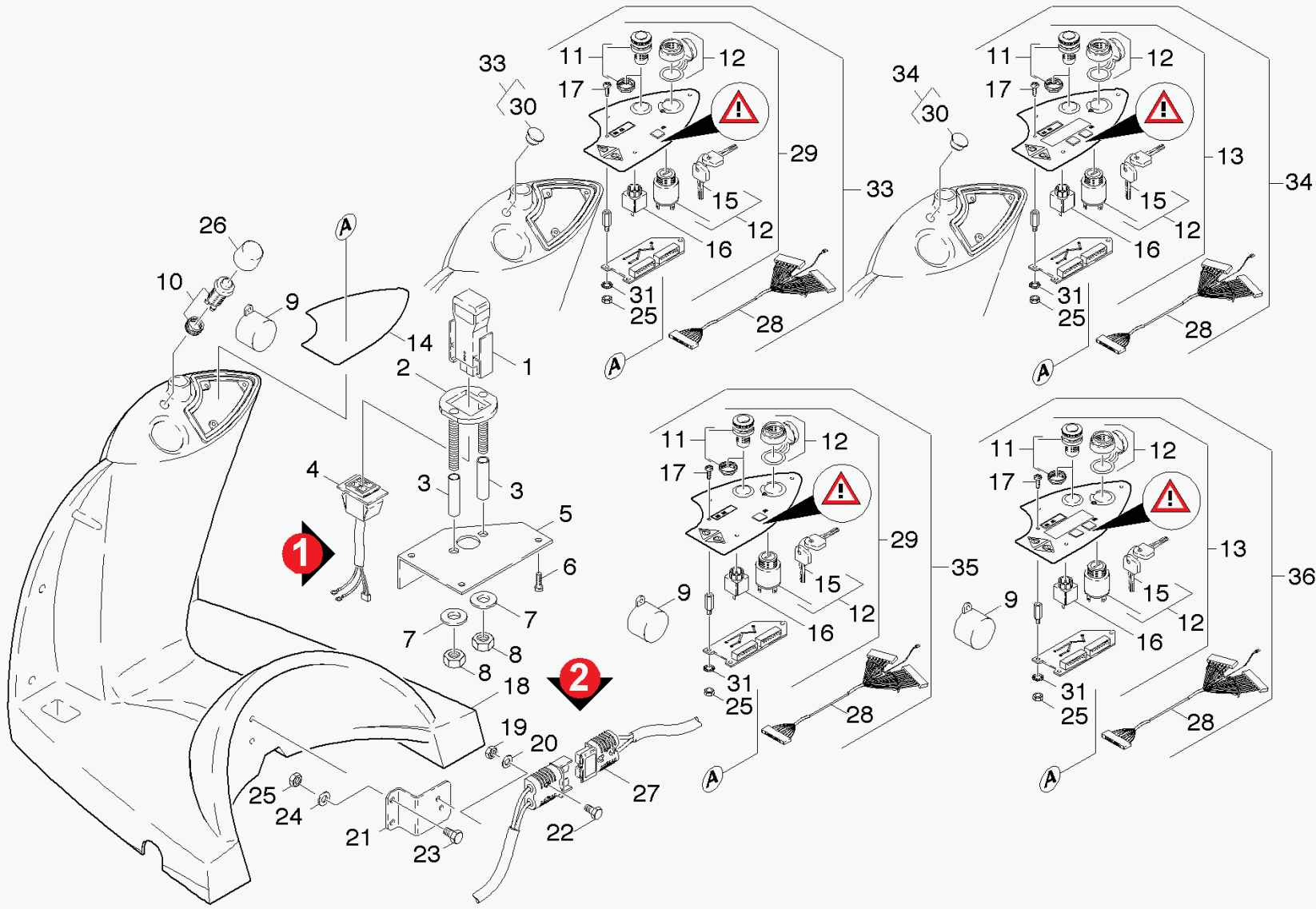


Control console

| ET/VT | pos | Article no. | Description | Quantity | Selling Unit | from ser.nr. | up to ser.nr. | var. information | Fußnotentext |
|--|-----|-------------|----------------------------------|----------|--------------|--------------|---------------|------------------|-----------------------|
| | 1 | 48392330 | Plug | 1 | ST | 0000000000 | 0000000000 | VERS. 1 | |
| | 2 | 40387610 | Sheet metal component | 1 | ST | 0000000000 | 0000000000 | VERS. 1 | |
| X-X | 3 | 51052450 | Axle | 2 | ST | 0000000000 | 0000000000 | VERS. 1 | |
| | 4 | 48220830 | Plug | 1 | ST | 0000000000 | 0000000000 | VERS. 1 | |
| | 5 | 50486770 | Sheet metal component | 1 | ST | 0000000000 | 0000000000 | VERS. 1 | |
| X-X | 6 | 73031040 | Screw 5x16 -A2-70 (IN6RD) | 3 | ST | 0000000000 | 0000000000 | VERS. 1 | |
| X-X | 7 | 73120260 | Washer 6 -A2 ISO 7090 | 2 | ST | 0000000000 | 0000000000 | VERS. 1 | |
| X-X | 8 | 73110670 | Hexagon nut M 6-A2-70 ISO 4032 | 2 | ST | 0000000000 | 0000000000 | VERS. 1 | |
| X-X | 9 | 66301580 | Buzzer | 1 | ST | 0000000000 | 0000000000 | | |
| | 10 | 66342140 | Push button | 1 | ST | 0000000000 | 0000000000 | | |
| X-X | 11 | 66001130 | Pushbutton emergency stop | 1 | ST | 0000000000 | 0000000000 | | |
| X-X | 12 | 66301060 | Key switch | 1 | ST | 0000000000 | 0000000000 | | |
| | 13 | 48411010 | Control panel TRIKE BAT PACKAGE | 1 | ST | 0000000000 | 0000022227 | | |
| Positionstext: / 1.161-103.0 / -104.0 | | | | | | | | | |
| X-X | 13 | 48411280 | Control panel | 1 | ST | 0000022228 | 0000000000 | | |
| Positionstext: / 1.161-203.0 / -204.0 / -209.0 / -210.0 / -211.0 / -212.0 / -110.0 | | | | | | | | | |
| X- | 14 | 62731450 | Cord cellular rubber | 1 | ZST | 0000000000 | 0000000000 | | TO ORDER AS CUT GOODS |
| X-X | 15 | 66002100 | Key only for replacement | 1 | ST | 0000000000 | 0000000000 | | |
| X-X | 16 | 66001140 | Switch | 1 | ST | 0000000000 | 0000000000 | | |
| X-X | 17 | 73031290 | Screw 4x16 -10.9-R2R (K-In6Rd) | 3 | ST | 0000000000 | 0000000000 | | |
| | 18 | 50315810 | Housing tub leg room | 1 | ST | 0000000000 | 0000000000 | | |
| X-X | 19 | 73110020 | Hexagon nut M5 -8-A2E ISO 4032 | 2 | ST | 0000000000 | 0000000000 | VERS. 2 | |
| X-X | 20 | 73120020 | Washer 5-200HV-A3E ISO 7090 | 2 | ST | 0000000000 | 0000000000 | VERS. 2 | |
| | 21 | 50590030 | Sheet metal component | 1 | ST | 0000000000 | 0000000000 | VERS. 2 | |
| | 22 | 73060840 | Screw M 5x40-ST- 8.8-A2R (IN6RD) | 2 | ST | 0000000000 | 0000000000 | VERS. 2 | |

Control console

| ET/VT | pos | Article no. | Description | Quantity | Selling Unit | from ser.nr. | up to ser.nr. | var. information | Fußnotentext |
|--|-----|-------------|---|----------|--------------|--------------|---------------|------------------|--------------|
| X-X | 23 | 73060890 | Screw M6x12 -8.8-R2R (In6Rd) | 2 | ST | 0000000000 | 0000000000 | VERS. 2 | |
| X-X | 24 | 73120030 | Washer 6 -200HV-A3E ISO 7090 | 2 | ST | 0000000000 | 0000000000 | VERS. 2 | |
| X- | 25 | 73110000 | Hexagon nut M3 -8-A2E ISO 4032 | 5 | ST | 0000000000 | 0000000000 | VERS. 2 | |
| | 26 | 63680570 | Cap rubber | 1 | ST | 0000000000 | 0000000000 | | |
| X-X | 27 | 66463190 | Plug two-pole 80A | 1 | ST | 0000000000 | 0000000000 | | |
| X-X | 28 | 66487290 | Adapter cable control panel | 1 | ST | 0000022228 | 0000023529 | | |
| | 29 | 48411020 | Control panel TRIKE BAT | 1 | ST | 0000000000 | 0000022227 | | |
| Positionstext: / 1.161-101.0 / -102.0 | | | | | | | | | |
| | 29 | 48411290 | Control panel without display TRIKE | 1 | ST | 0000022228 | 0000000000 | | |
| Positionstext: / 1.161-201.0 / -202.0 / -209.0/ -210.0 | | | | | | | | | |
| | 30 | 63680990 | Cap | 1 | ST | 0000000000 | 0000000000 | | |
| | 31 | 73122340 | Serrated lock washer A3,2 -FSt-A3E DIN6 | 3 | ST | 0000000000 | 0000000000 | | |
| | 33 | 28825540 | Conversion kit control panel | 1 | ST | 0000000000 | 0000000000 | | |
| Positionstext: / 1.161-201.0 / -202.0 / -209.0/ -210.0 | | | | | | | | | |
| | 34 | 28825530 | Conversion kit control panel | 1 | ST | 0000000000 | 0000000000 | | |
| Positionstext: / 1.161-203.0 / -204.0 / -211.0/ -212.0 | | | | | | | | | |
| | 35 | 28825610 | Conversion kit control panel | 1 | ST | 0000000000 | 0000000000 | | |
| Positionstext: / 1.161-201.0 / -202.0 / -209.0/ -210.0 | | | | | | | | | |
| | 36 | 28825600 | Conversion kit control panel | 1 | ST | 0000000000 | 0000000000 | | |
| Positionstext: / 1.161-203.0 / -204.0 / -211.0/ -212.0 | | | | | | | | | |

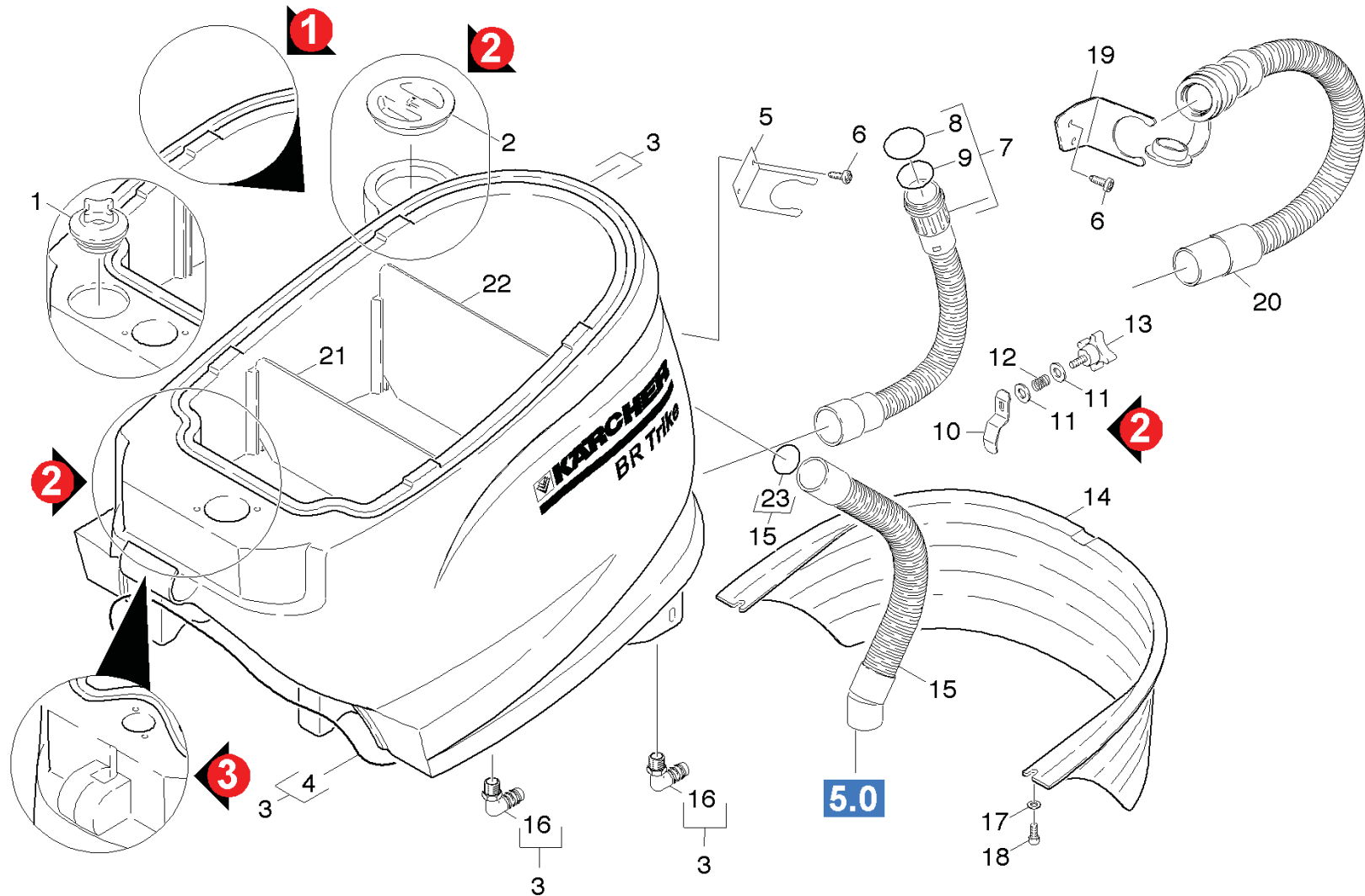


14 Control console (01632340)

| ET/VT | pos | Article no. | Description | Quantity | Selling Unit | from ser.nr. | up to ser.nr. | var. information | Fußnotentext |
|--|-----|-------------|----------------------------------|----------|--------------|--------------|---------------|------------------|-----------------------|
| | 1 | 48392330 | Plug | 1.000 | ST | 0000000000 | 0000000000 | VERS. 1 | |
| | 2 | 40387610 | Sheet metal component | 1.000 | ST | 0000000000 | 0000000000 | VERS. 1 | |
| | 3 | 51052450 | Axle | 2.000 | ST | 0000000000 | 0000000000 | VERS. 1 | |
| | 4 | 48220830 | Plug | 1.000 | ST | 0000000000 | 0000000000 | VERS. 1 | |
| | 5 | 50486770 | Sheet metal component | 1.000 | ST | 0000000000 | 0000000000 | VERS. 1 | |
| X- | 6 | 73031040 | Screw 5x16 -A2-70 (IN6RD) | 3.000 | ST | 0000000000 | 0000000000 | VERS. 1 | |
| | 7 | 73120260 | Washer 6 -A2 ISO 7090 | 2.000 | ST | 0000000000 | 0000000000 | VERS. 1 | |
| | 8 | 73110670 | Hexagon nut M 6-A2-70 ISO 4032 | 2.000 | ST | 0000000000 | 0000000000 | VERS. 1 | |
| X-X | 9 | 66301580 | Buzzer | 1.000 | ST | 0000000000 | 0000000000 | | |
| | 10 | 66342140 | Push button | 1.000 | ST | 0000000000 | 0000000000 | | |
| X-X | 11 | 66001130 | Pushbutton emergency stop | 1.000 | ST | 0000000000 | 0000000000 | | |
| X-X | 12 | 66301060 | Key switch | 1.000 | ST | 0000000000 | 0000000000 | | |
| | 13 | 48411010 | Control panel TRIKE BAT PACKAGE | 1.000 | ST | 0000000000 | 0000022227 | | |
| Positionstext: / 1.161-103.0 / -104.0 | | | | | | | | | |
| | 13 | 48411280 | Control panel | 1.000 | ST | 0000022228 | 0000000000 | | |
| Positionstext: / 1.161-203.0 / -204.0 / -209.0 / -210.0 / -211.0 / -212.0 / -110.0 | | | | | | | | | |
| | 14 | 62731450 | Cord cellular rubber | 1.000 | ZST | 0000000000 | 0000000000 | | TO ORDER AS CUT GOODS |
| X-X | 15 | 66002100 | Key only for replacement | 1.000 | ST | 0000000000 | 0000000000 | | |
| X-X | 16 | 66001140 | Switch | 1.000 | ST | 0000000000 | 0000000000 | | |
| | 17 | 73031290 | Screw 4x16 -10.9-R2R (K-In6Rd) | 3.000 | ST | 0000000000 | 0000000000 | | |
| | 18 | 50315810 | Housing tub leg room | 1.000 | ST | 0000000000 | 0000000000 | | |
| | 19 | 73110020 | Hexagon nut M5 -8-A2E ISO 4032 | 2.000 | ST | 0000000000 | 0000000000 | VERS. 2 | |
| | 20 | 73120020 | Washer 5-200HV-A3E ISO 7090 | 2.000 | ST | 0000000000 | 0000000000 | VERS. 2 | |
| | 21 | 50590030 | Sheet metal component | 1.000 | ST | 0000000000 | 0000000000 | VERS. 2 | |
| | 22 | 73060840 | Screw M 5x40-ST- 8.8-A2R (IN6RD) | 2.000 | ST | 0000000000 | 0000000000 | VERS. 2 | |

14 Control console (01632340)

| ET/VT | pos | Article no. | Description | Quantity | Selling Unit | from ser.nr. | up to ser.nr. | var. information | Fußnotentext |
|--|-----|-------------|---|----------|--------------|--------------|---------------|------------------|--------------|
| | 23 | 73060890 | Screw M6x12 -8.8-R2R (In6Rd) | 2.000 | ST | 0000000000 | 0000000000 | VERS. 2 | |
| | 24 | 73120030 | Washer 6 -200HV-A3E ISO 7090 | 2.000 | ST | 0000000000 | 0000000000 | VERS. 2 | |
| | 25 | 73110000 | Hexagon nut M3 -8-A2E ISO 4032 | 5.000 | ST | 0000000000 | 0000000000 | VERS. 2 | |
| | 26 | 63680570 | Cap rubber | 1.000 | ST | 0000000000 | 0000000000 | | |
| X-X | 27 | 66463190 | Plug two-pole 80A | 1.000 | ST | 0000000000 | 0000000000 | | |
| | 28 | 66487290 | Adapter cable control panel | 1.000 | ST | 0000022228 | 0000023529 | | |
| | 29 | 48411020 | Control panel TRIKE BAT | 1.000 | ST | 0000000000 | 0000022227 | | |
| Positionstext: / 1.161-101.0 / -102.0 | | | | | | | | | |
| | 29 | 48411290 | Control panel without display TRIKE | 1.000 | ST | 0000022228 | 0000000000 | | |
| Positionstext: / 1.161-201.0 / -202.0 / -209.0/ -210.0 | | | | | | | | | |
| | 30 | 63680990 | Cap | 1.000 | ST | 0000000000 | 0000000000 | | |
| | 31 | 73122340 | Serrated lock washer A3,2 -FSt-A3E DIN6 | 3.000 | ST | 0000000000 | 0000000000 | | |
| | 33 | 28825540 | Conversion kit control panel | 1.000 | ST | 0000000000 | 0000000000 | | |
| Positionstext: / 1.161-201.0 / -202.0 / -209.0/ -210.0 | | | | | | | | | |
| | 34 | 28825530 | Conversion kit control panel | 1.000 | ST | 0000000000 | 0000000000 | | |
| Positionstext: / 1.161-203.0 / -204.0 / -211.0/ -212.0 | | | | | | | | | |
| | 35 | 28825610 | Conversion kit control panel | 1.000 | ST | 0000000000 | 0000000000 | | |
| Positionstext: / 1.161-201.0 / -202.0 / -209.0/ -210.0 | | | | | | | | | |
| | 36 | 28825600 | Conversion kit control panel | 1.000 | ST | 0000000000 | 0000000000 | | |
| Positionstext: / 1.161-203.0 / -204.0 / -211.0/ -212.0 | | | | | | | | | |



20 Water tank (01628170)

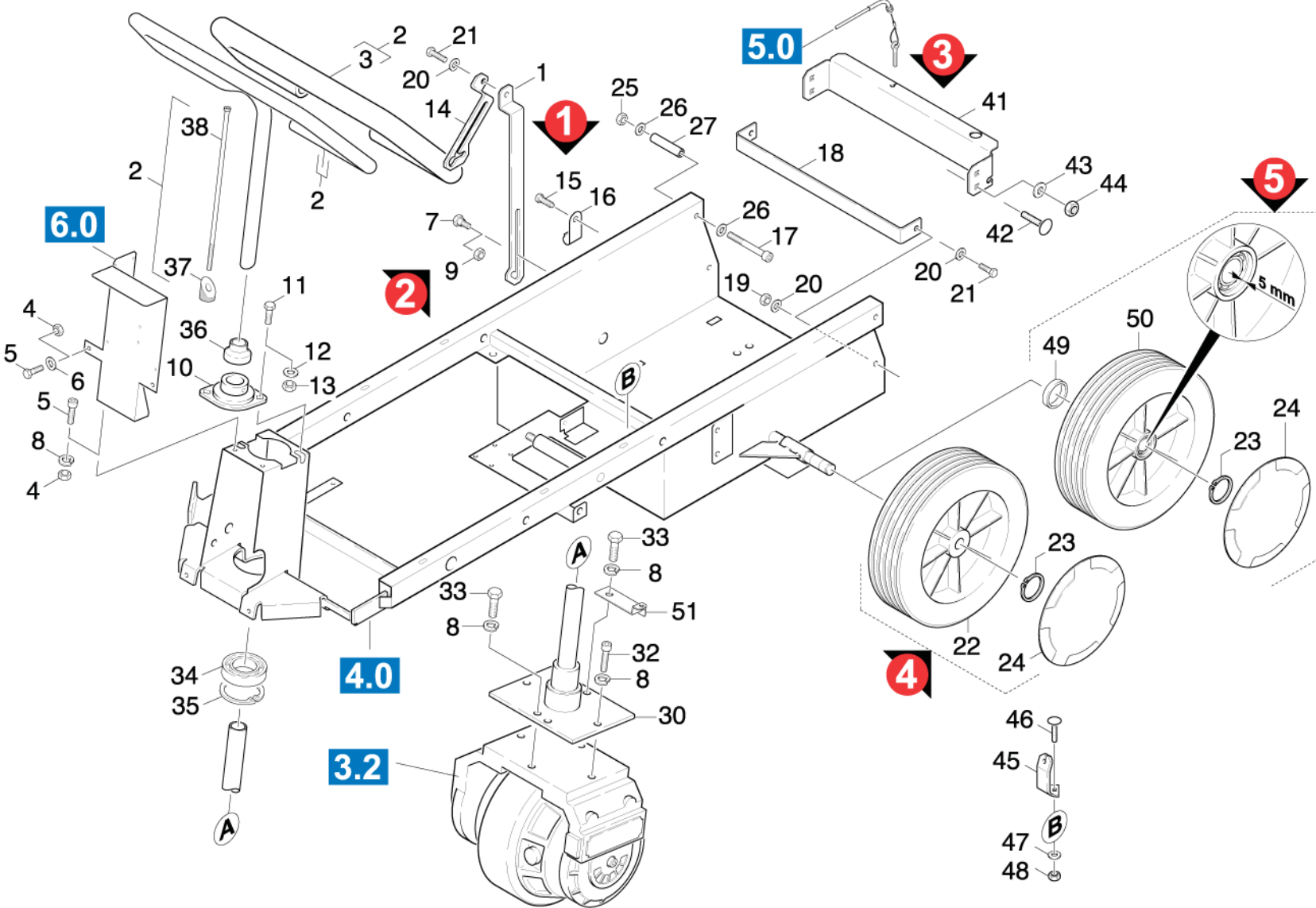
| ET/VT | pos | Article no. | Description | Quantity | Selling Unit | from ser.nr. | up to ser.nr. | var. information | Fußnotentext |
|-------|-----|-------------|---|----------|--------------|--------------|---------------|------------------|----------------------|
| | 1 | 40636640 | Fuel tank filler cap cover | 1.000 | ST | 0000000000 | 0000000000 | VERS 1 | |
| | 2 | 50636500 | Cover | 1.000 | ST | 0000000000 | 0000000000 | VERS 2 | |
| | 3 | 40711230 | Tank complete only for replacement | 1.000 | ST | 0000020000 | 0000000000 | VERS 3 | |
| | 3 | 40711110 | Tank complete only for replacement | 1.000 | ST | 0000000000 | 0000019999 | VERS 1 | |
| | 3 | 40711110 | Tank complete only for replacement | 1.000 | ST | 0000000000 | 0000000000 | VERS 2 | |
| | 4 | 62731780 | Seal string cellular rubber | 2.000 | M | 0000000000 | 0000000000 | | TO ORDER AS CUT GOOD |
| | 5 | 50482820 | Sheet metal component hose clamp | 1.000 | ST | 0000000000 | 0000000000 | | |
| | 6 | 73031070 | Screw 5x16 -10.9-P2R (K-In6Rd) | 2.000 | ST | 0000000000 | 0000000000 | | |
| X-X | 7 | 44460160 | Drain hose complete BR-BD TRIKE/550/700 | 1.000 | ST | 0000000000 | 0000000000 | | FOR ASA 80 |
| X- | 8 | 63620900 | O-Ring seal 46,0 X 3,0-NBR 70 | 1.000 | ST | 0000000000 | 0000000000 | | |
| | 9 | 63621110 | O-Ring seal 43,0 X 3,0 -NBR 70 | 1.000 | ST | 0000000000 | 0000000000 | | |
| | 10 | 50487070 | Sheet metal component | 1.000 | ST | 0000000000 | 0000000000 | VERS 2 | |
| X- | 11 | 73122920 | Washer 6 -A2 ISO 7093-1 | 2.000 | ST | 0000000000 | 0000000000 | VERS 2 | |
| | 12 | 53322900 | Helical spring | 1.000 | ST | 0000000000 | 0000000000 | VERS 2 | |
| X-X | 13 | 63210690 | Handhold M6x20 | 1.000 | ST | 0000000000 | 0000000000 | VERS 2 | |
| | 14 | 50670340 | Covering cap | 1.000 | ST | 0000000000 | 0000000000 | VERS 1 *EUR | |
| | 14 | 50670340 | Covering cap | 1.000 | ST | 0000000000 | 0000000000 | VERS 2 *EUR/*USA | |
| X-X | 15 | 43900050 | Suction hose complete | 1.000 | ST | 0000000000 | 0000000000 | | STANDARD |
| | 15 | 43900060 | Suction hose complete oil resistant | 1.000 | ST | 0000000000 | 0000000000 | | OIL RESISTANT |
| | 16 | 54434810 | Angle bushing | 2.000 | ST | 0000000000 | 0000000000 | | |
| | 17 | 73122600 | Washer 6 -100HV-A3E ISO 7094 | 2.000 | ST | 0000000000 | 0000000000 | | |
| | 18 | 73061940 | Screw M6x20 -A2-70 (In6Rd) | 2.000 | ST | 0000000000 | 0000000000 | | |
| | 19 | 50595410 | Hose holder left | 1.000 | ST | 0000000000 | 0000000000 | | |
| X-X | 20 | 63906090 | Drain hose DN38 BR/BD 750/TRIKE | 1.000 | ST | 0000000000 | 0000000000 | | STANDARD |
| X-X | 20 | 63907340 | Drain hose DN38 | 1.000 | ST | 0000000000 | 0000000000 | | OIL RESISTANT |

20 Water tank (01628170)

| ET/VT | pos | Article no. | Description | Quantity | Selling Unit | from ser.nr. | up to ser.nr. | var. information | Fußnotentext |
|-------|-----|-------------|-------------------------------|----------|--------------|--------------|---------------|------------------|--------------|
| | 21 | 50070000 | Plate | 1.000 | ST | 0000000000 | 0000019999 | | |
| | 21 | 50073070 | Plate | 1.000 | ST | 0000020000 | 0000000000 | | |
| | 22 | 50073060 | Plate | 1.000 | ST | 0000000000 | 0000019999 | | |
| | 22 | 50073080 | Plate | 1.000 | ST | 0000020000 | 0000000000 | | |
| X- | 23 | 63620900 | O-Ring seal 46,0 X 3,0-NBR 70 | 1.000 | ST | | | | |

30 Carriage (01634550)

| pos | Article no. | Description | from ser.nr. | up to ser.nr. |
|-----|-------------|-------------------|--------------|---------------|
| 31 | 01628180 | Carriage | 0000000000 | 0000000000 |
| 32 | 01634540 | Wheel drive motor | 0000000000 | 0000000000 |



31 Carriage (01628180)

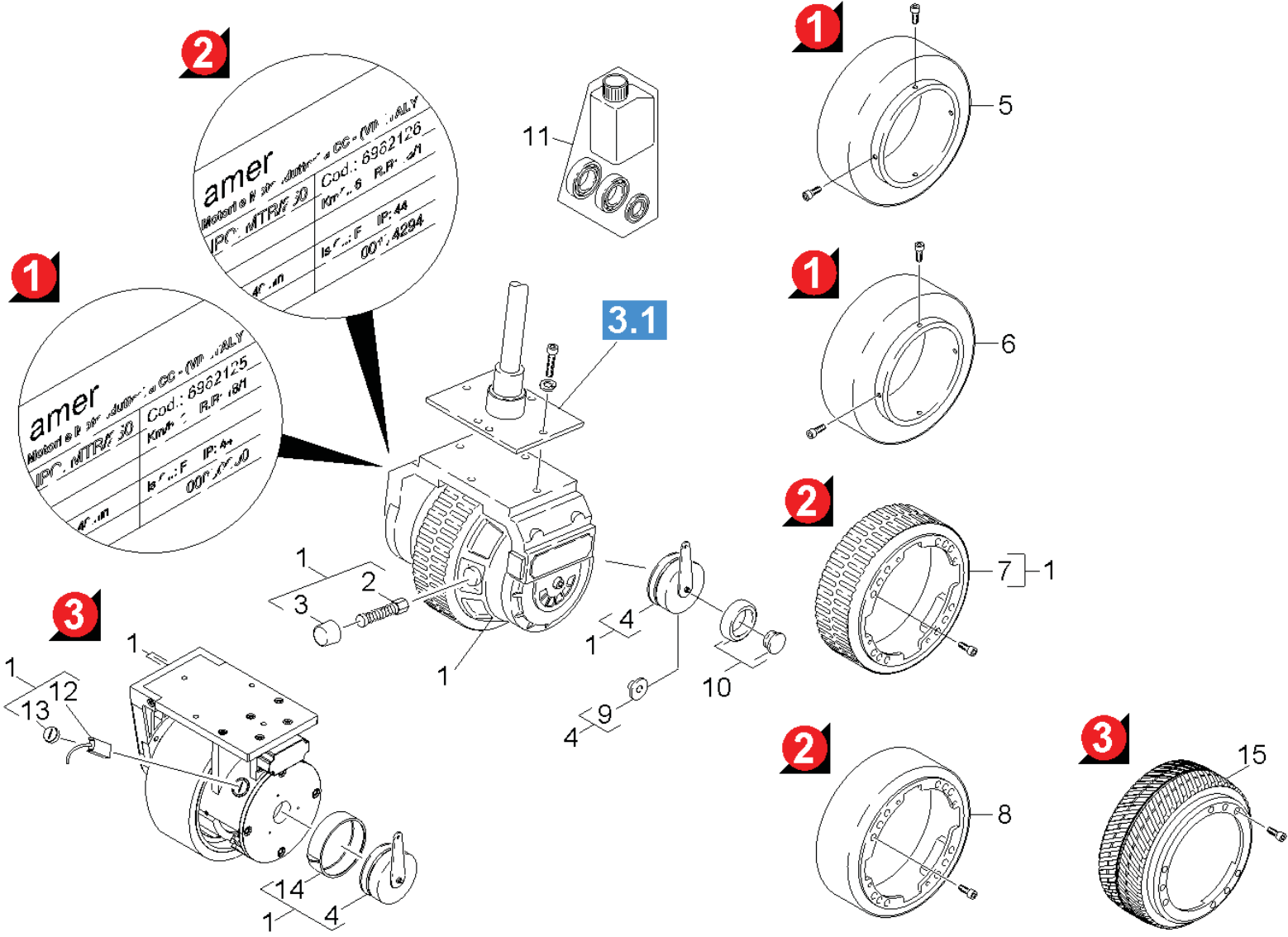
| ET/VT | pos | Article no. | Description | Quantity | Selling Unit | from ser.nr. | up to ser.nr. | var. information | Fußnotentext |
|---------------------------------------|-----|-------------|---|----------|--------------|--------------|---------------|------------------|----------------------|
| | 1 | 50496200 | Sheet metal component | 1.000 | ST | 0000020000 | 0000000000 | VERS 2 | |
| | 1 | 50487080 | Sheet metal component | 1.000 | ST | 0000000000 | 0000019999 | VERS 2 | |
| | 2 | 40341030 | Retaining bracket complete | 1.000 | ST | 0000000000 | 0000000000 | | |
| | 3 | 63902690 | Hose | 1.000 | M | | | | TO ORDER AS CUT GOOD |
| | 4 | 73110670 | Hexagon nut M 6-A2-70 ISO 4032 | 4.000 | ST | 0000000000 | 0000000000 | | |
| X-X | 5 | 73045360 | Hexagonal head screw M 6x20-A4-70 ISO 4 | 6.000 | ST | 0000000000 | 0000000000 | | |
| | 6 | 73120260 | Washer 6 -A2 ISO 7090 | 4.000 | ST | 0000000000 | 0000000000 | | |
| | 7 | 53169260 | Bolt | 1.000 | ST | 0000000000 | 0000000000 | VERS 2 | |
| | 8 | 73130300 | Spring washer A10-FST DIN 128 | 6.000 | ST | 0000000000 | 0000000000 | | |
| | 9 | 73110170 | Hexagon nut M16-LH-04-A2E ISO 10511 | 1.000 | ST | 0000000000 | 0000000000 | VERS 2 | |
| | 10 | 64013060 | Flanged bearing | 1.000 | ST | 0000000000 | 0000000000 | | |
| | 11 | 73048010 | Hexagonal head screw M10x25-A4-70 ISO 4 | 2.000 | ST | 0000000000 | 0000000000 | | |
| | 12 | 73120660 | Washer 10 -A2 ISO 7090 | 2.000 | ST | 0000000000 | 0000000000 | | |
| | 13 | 73110660 | Hexagon nut M10-A2-70 ISO 4032 | 2.000 | ST | 0000000000 | 0000000000 | | |
| | 14 | 50496210 | Sheet metal component | 1.000 | ST | 0000000000 | 0000023530 | | |
| Positionstext: / 1.161-209.0 / -210.0 | | | | | | | | | |
| | 14 | 50492850 | Sheet metal component | 1.000 | ST | 0000000000 | 0000019999 | * USA | |
| Positionstext: / 1.161-209.0 / -210.0 | | | | | | | | | |
| X-X | 15 | 73050520 | Countersunk screw M6x12 -A2-70 (In6Rd) | 1.000 | ST | 0000000000 | 0000000000 | | |
| | 16 | 77779990 | Stockpiling discontinued | 1.000 | ST | 0000000000 | 0000000000 | VERS 1 | |
| | 17 | 73031680 | Saucer-head screw M8x80-A2 DIN 603 | 2.000 | ST | 0000000000 | 0000000000 | | |
| | 18 | 50441760 | Holder | 1.000 | ST | 0000000000 | 0000019999 | | |
| | 19 | 73110680 | Hexagon nut M 8-A2-70 ISO 4032 | 2.000 | ST | 0000000000 | 0000019999 | | |
| X- | 20 | 73120170 | Washer 8-A2 ISO 7089 | 5.000 | ST | 0000000000 | 0000019999 | | |
| X- | 21 | 73045160 | Hexagonal head screw M8x20-A4-70 ISO 40 | 2.000 | ST | 0000000000 | 0000019999 | | |

31 Carriage (01628180)

| ET/VT | pos | Article no. | Description | Quantity | Selling Unit | from ser.nr. | up to ser.nr. | var. information | Fußnotentext |
|-------|-----|-------------|--|----------|--------------|--------------|---------------|------------------|--------------|
| X-X | 22 | 64353500 | Wheel | 2.000 | ST | 0000000000 | 0000000000 | VERS 4 | |
| X- | 23 | 73430400 | Locking ring 20x1,2 -St-ph DIN 471 | 2.000 | ST | 0000000000 | 0000000000 | | |
| X-X | 24 | 53920250 | Wheel cab | 2.000 | ST | 0000000000 | 0000000000 | | |
| | 25 | 73114270 | Hexagon nut M8 -04-A2E ISO 10511 | 2.000 | ST | 0000000000 | 0000000000 | | |
| X-X | 26 | 73122890 | Washer 8 -A2 ISO 7093-1 | 4.000 | ST | 0000000000 | 0000000000 | | |
| | 27 | 53168800 | Bolt | 2.000 | ST | 0000000000 | 0000000000 | | |
| | 28 | 73045380 | Hexagonal head screw M8x16-A4-70 ISO 40 | 3.000 | ST | 0000000000 | 0000000000 | | |
| | 30 | 40428760 | Holder complete steering | 1.000 | ST | 0000000000 | 0000000000 | | |
| | 32 | 73060630 | Cylinder head screw M10x30-8.8-A3E ISO4 | 2.000 | ST | 0000000000 | 0000000000 | | |
| | 33 | 73045280 | Hexagonal head screw M10x20-A4-70 ISO 4 | 2.000 | ST | 0000000000 | 0000000000 | | |
| | 34 | 74011630 | Ball bearing 6009-2RS-WAELZLAGST DIN 625 | 1.000 | ST | 0000000000 | 0000000000 | | |
| | 35 | 73431170 | Locking ring 75X2,5-FSt-Phr DIN 472 | 1.000 | ST | 0000000000 | 0000000000 | | |
| X- | 36 | 50670350 | Covering cap Blanko | 1.000 | ST | 0000000000 | 0000000000 | | |
| | 37 | 51107450 | Sleeve | 1.000 | ST | 0000000000 | 0000000000 | | |
| | 38 | 53090980 | Threaded rod | 1.000 | ST | 0000000000 | 0000000000 | | |
| | 41 | 50444000 | Holder | 1.000 | ST | 0000020000 | 0000000000 | | |
| | 42 | 73031930 | Saucer-head screw M 8x16-4.6-A0P DIN 60 | 4.000 | ST | 0000020000 | 0000000000 | | |
| | 43 | 73120040 | Washer 8 -200HV-A3E ISO 7090 | 4.000 | ST | 0000020000 | 0000000000 | | |
| | 44 | 73110040 | Hexagon nut M8 -8-A3E ISO 4032 | 4.000 | ST | 0000020000 | 0000000000 | | |
| | 45 | 50495240 | Sheet metal component | 1.000 | ST | 0000020000 | 0000000000 | | |
| X-X | 46 | 73031390 | Saucer-head screw M6x20 -A2 DIN 603 | 1.000 | ST | 0000020000 | 0000000000 | | |
| | 47 | 73120030 | Washer 6 -200HV-A3E ISO 7090 | 1.000 | ST | 0000020000 | 0000000000 | | |
| | 48 | 73110030 | Hexagon nut M6 -8-A2E ISO 4032 | 1.000 | ST | 0000020000 | 0000000000 | | |
| | 49 | 51105740 | Sleeve 4,8MM | 2.000 | ST | 0000000000 | 0000000000 | VERS 5 | |
| X-X | 50 | 55151760 | Wheel | 2.000 | ST | 0000000000 | 0000000000 | VERS 5 | |

31 Carriage (01628180)

| ET/VT | pos | Article no. | Description | Quantity | Selling Unit | from ser.nr. | up to ser.nr. | var. information | Fußnotentext |
|-------|-----|-------------|--------------------------|----------|--------------|--------------|---------------|------------------|--------------|
| | 51 | 50586700 | Holder cable Antriebsrad | 1.000 | ST | 0000000000 | 0000000000 | | |

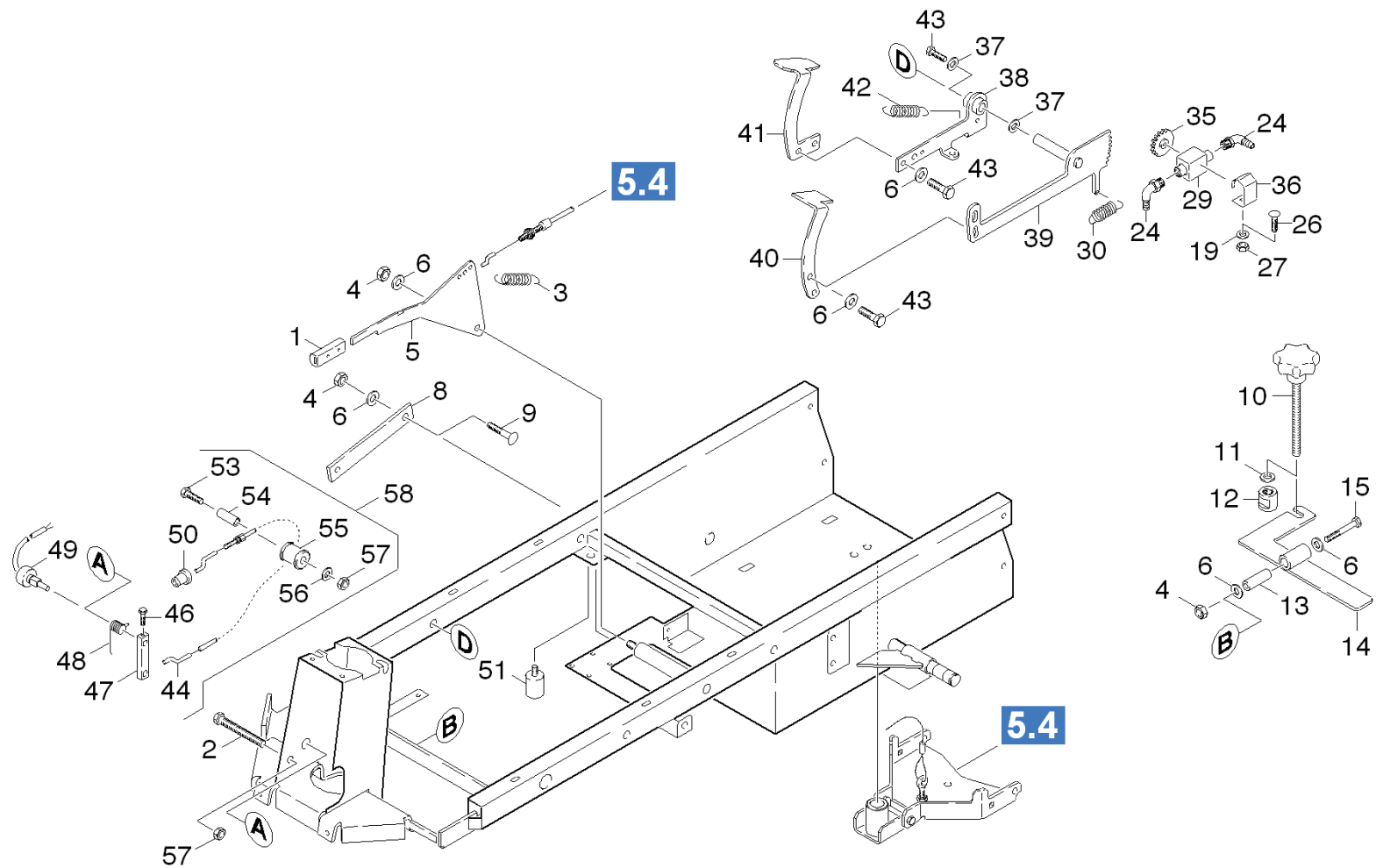


32 Wheel drive motor (01634540)

| ET/VT | pos | Article no. | Description | Quantity | Selling Unit | from ser.nr. | up to ser.nr. | Fußnotentext |
|-------|-----|-------------|---------------------------------|----------|--------------|--------------|---------------|---------------|
| | 1 | 66130590 | Wheel drive motor | 1.000 | ST | 0000000000 | 0000000000 | VERSION 1+2 |
| | 1 | 66132060 | Wheel drive motor 600W | 1.000 | ST | | | VERSION 3 |
| X-X | 2 | 66102110 | Carbon brush set | 1.000 | ST | 0000000000 | 0000000000 | VERSION 2 |
| | 2 | 66100910 | CARBON BRUSH SET | 1.000 | ZSA | 0000000000 | 0000000000 | VERSION 1 |
| X- | 3 | 69619010 | Cap with bayonet | 4.000 | ST | | | VERSION 1+2 |
| X-X | 4 | 44670020 | Brake adjustable complete | 1.000 | ST | | | |
| | 5 | 64353860 | Tire only for replacement Trike | 1.000 | ST | 0000000000 | 0000000000 | VERSION 1 |
| | 6 | 64354030 | Tire Trike | 1.000 | ST | 0000000000 | 0000000000 | OIL RESISTANT |
| X-X | 7 | 64354020 | Tire Trike | 1.000 | ST | 0000000000 | 0000000000 | VERSION 2 |
| X- | 8 | 64354170 | Tire Trike | 1.000 | ST | 0000000000 | 0000000000 | OIL RESISTANT |
| | 9 | 63943910 | Coupler brake BR/BD TRIKE | 1.000 | ST | 0000000000 | 0000000000 | |
| X-X | 10 | 64670390 | Retrofit kit brake | 1.000 | ST | 0000000000 | 0000000000 | |
| | 11 | 46410450 | Spare part set bearing | 1.000 | ST | | | |
| X- | 12 | 66132310 | Carbon brush set | 1.000 | ST | | | VERSION 3 |
| | 13 | 69619240 | Cover closure | 1.000 | ST | | | VERSION 3 |
| | 14 | 69619250 | Dust protection brake | 1.000 | ST | | | VERSION 3 |
| | 15 | 64358540 | Wheel drive wheel motor | 1.000 | ST | | | VERSION 3 |

40 Operating element (01632350)

| pos | Article no. | Description | from ser.nr. | up to ser.nr. |
|-----|-------------|--------------------|--------------|---------------|
| 41 | 01628190 | Operating elements | 0000000000 | 0000019999 |
| 42 | 01639440 | Operating element | 0000020000 | 0000000000 |
| 43 | 01632360 | Operating element | 0000000000 | 0000000000 |



41 Operating elements (01628190)

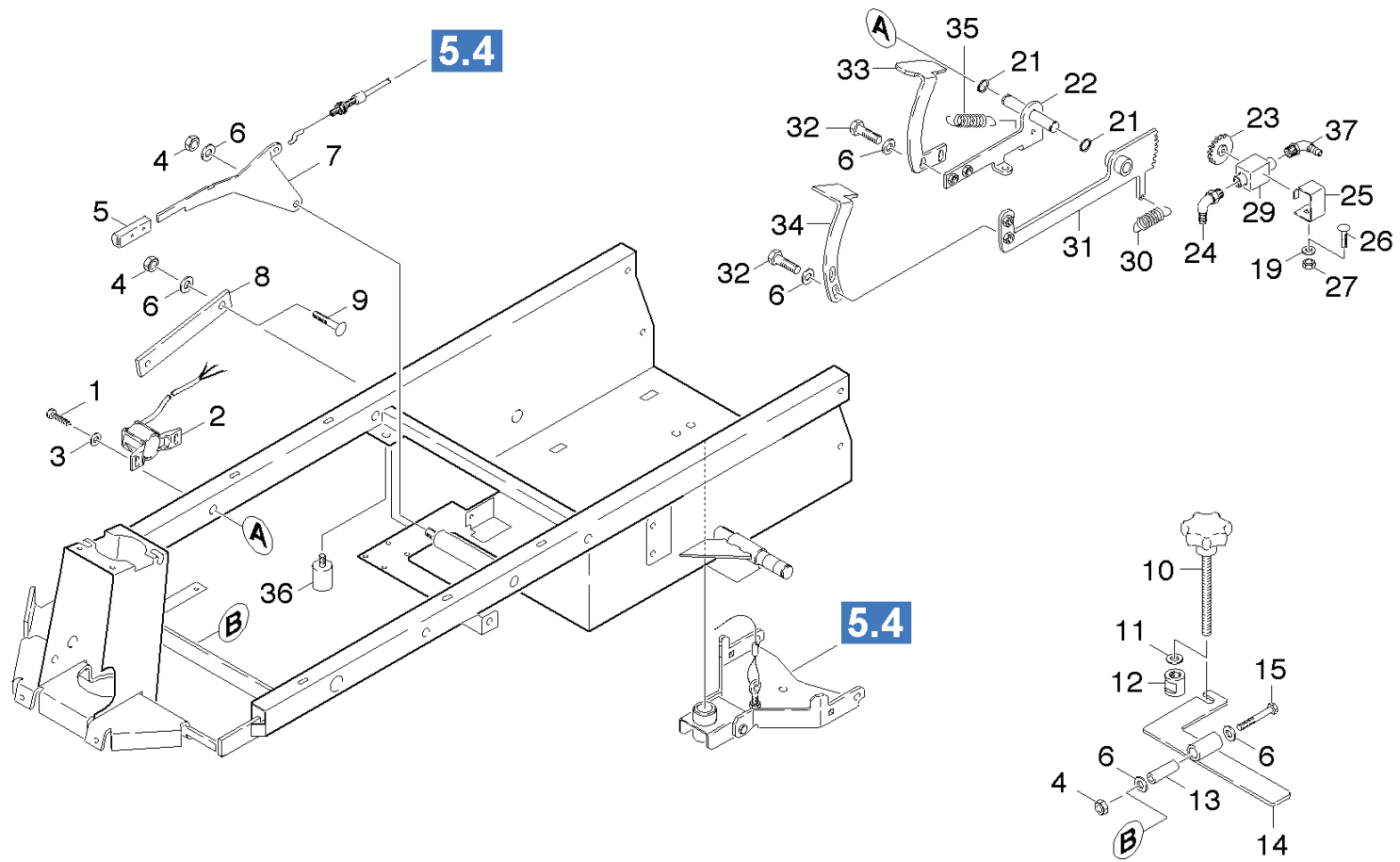
| ET/VT | pos | Article no. | Description | Quantity | Selling Unit | from ser.nr. | up to ser.nr. |
|---|-----|-------------|---|----------|--------------|--------------|---------------|
| | 1 | 53214570 | Handhold | 1.000 | ST | 0000000000 | 0000000000 |
| | 2 | 73061840 | Screw M5x30 -A2-70 (In6Rd) | 1.000 | ST | 0000000000 | 0000000000 |
| | 3 | 63300930 | Extension spring | 1.000 | ST | 0000000000 | 0000000000 |
| | 4 | 73110680 | Hexagon nut M 8-A2-70 ISO 4032 | 3.000 | ST | 0000000000 | 0000000000 |
| | 5 | 54812430 | Lever suction bar pedal 286 | 1.000 | ST | 0000000000 | 0000000000 |
| X- | 6 | 73120170 | Washer 8-A2 ISO 7089 | 8.000 | ST | 0000000000 | 0000000000 |
| | 8 | 77779990 | Stockpiling discontinued | 1.000 | ST | 0000000000 | 0000000000 |
| Positionstext: / 1.161-101.0 / -103.0 / -201.0/ -203.0 / -209.0 | | | | | | | |
| | 9 | 73030090 | Saucer-head screw M8x50-8.8-A2E DIN 603 | 1.000 | ST | 0000000000 | 0000000000 |
| | 10 | 63210960 | Star grip M10X129 | 1.000 | ST | 0000000000 | 0000000000 |
| | 11 | 73121580 | Washer 11-A2-50 DIN 1441 | 1.000 | ST | 0000000000 | 0000000000 |
| X- | 12 | 53101280 | Nut | 1.000 | ST | 0000000000 | 0000000000 |
| | 13 | 51107650 | Sleeve | 1.000 | ST | 0000000000 | 0000000000 |
| | 14 | 44811460 | Lever complete | 1.000 | ST | 0000000000 | 0000000000 |
| | 15 | 73042640 | Hexagonal head screw M 8x70-A4-70 ISO 4 | 1.000 | ST | 0000000000 | 0000000000 |
| | 19 | 73120260 | Washer 6 -A2 ISO 7090 | 1.000 | ST | 0000000000 | 0000000000 |
| | 24 | 63898990 | Angle bushing | 2.000 | ST | 0000000000 | 0000000000 |
| | 26 | 73031870 | Saucer-head screw M6x16-A2 DIN 603 | 1.000 | ST | 0000000000 | 0000000000 |
| | 27 | 73110670 | Hexagon nut M 6-A2-70 ISO 4032 | 1.000 | ST | 0000000000 | 0000000000 |
| X- | 29 | 64130990 | Ball valve | 1.000 | ST | 0000000000 | 0000000000 |
| | 30 | 63300150 | Extension spring | 1.000 | ST | 0000000000 | 0000000000 |
| | 35 | 40387260 | Sheet metal component | 1.000 | ST | 0000000000 | 0000000000 |
| | 36 | 50441890 | Holder tap BRTRIKE | 1.000 | ST | 0000000000 | 0000000000 |
| | 37 | 73120570 | Washer 16 -A2 ISO 7090 | 3.000 | ST | 0000000000 | 0000000000 |
| | 38 | 44811370 | Lever complete 294 | 1.000 | ST | 0000000000 | 0000000000 |

41 Operating elements (01628190)

| ET/VT | pos | Article no. | Description | Quantity | Selling Unit | from ser.nr. | up to ser.nr. |
|-------|-----|-------------|---|----------|--------------|--------------|---------------|
| | 39 | 44811360 | Lever complete | 1.000 | ST | 0000000000 | 0000000000 |
| | 40 | 77779990 | Stockpiling discontinued | 1.000 | ST | 0000000000 | 0000000000 |
| | 41 | 77779990 | Stockpiling discontinued | 1.000 | ST | 0000000000 | 0000000000 |
| | 42 | 63301420 | Extension spring | 1.000 | ST | 0000000000 | 0000000000 |
| | 43 | 73045380 | Hexagonal head screw M8x16-A4-70 ISO 40 | 5.000 | ST | 0000000000 | 0000000000 |
| | 44 | 41720200 | ROPE | 1.000 | ST | 0000000000 | 0000000000 |
| | 46 | 73060550 | Screw M3x20 -8.8-R2R (In6Rd) | 1.000 | ST | 0000000000 | 0000000000 |
| | 47 | 54812540 | Lever BR TRIKE | 1.000 | ST | 0000000000 | 0000000000 |
| | 48 | 53350350 | Spiral spring | 1.000 | ST | 0000000000 | 0000000000 |
| | 49 | 66520310 | Potentiometer BR/BD TRIKE | 1.000 | ST | 0000000000 | 0000000000 |
| | 50 | 63736950 | Holder bowden wire BR/BDTRIKE | 1.000 | ST | 0000000000 | 0000000000 |
| | 51 | 63391080 | Rubber buffer | 1.000 | ST | 0000000000 | 0000000000 |
| | 53 | 73061850 | Screw M5x 35-A2-70 (IN6RD) | 1.000 | ST | 0000000000 | 0000000000 |
| | 54 | 51108740 | Sleeve only for replacement | 1.000 | ST | 0000000000 | 0000000000 |
| | 55 | 51126520 | Bush only for replacement | 1.000 | ST | 0000000000 | 0000000000 |
| | 56 | 73120020 | Washer 5-200HV-A3E ISO 7090 | 1.000 | ST | 0000000000 | 0000000000 |
| | 57 | 73110020 | Hexagon nut M5 -8-A2E ISO 4032 | 2.000 | ST | 0000000000 | 0000000000 |
| | 58 | 28824930 | Conversion kit tackle potentiometer | 1.000 | ST | 0000000000 | 0000000000 |

58 Conversion kit tackle potentiometer (28824930)

| pos | Article no. | Description | Quantity | Selling Unit |
|-----|-------------|-----------------------------|----------|--------------|
| 10 | 41720200 | ROPE | 1.000 | ST |
| 20 | 51108740 | Sleeve only for replacement | 1.000 | ST |
| 30 | 51126520 | Bush only for replacement | 1.000 | ST |
| 40 | 53350350 | Spiral spring | 1.000 | ST |

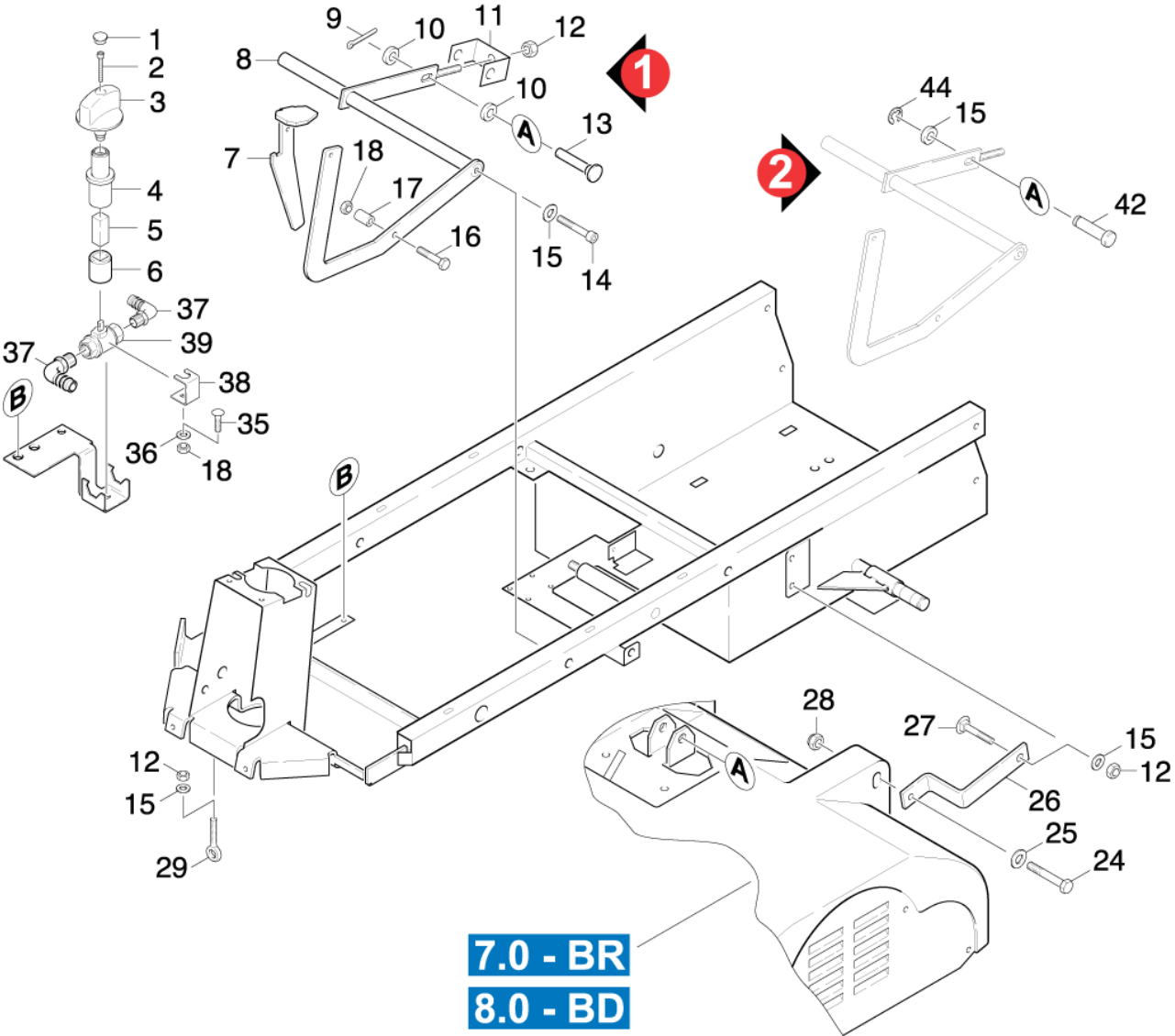


42 Operating element (01639440)

| ET/VT | pos | Article no. | Description | Quantity | Selling Unit | from ser.nr. | up to ser.nr. |
|---|-----|-------------|---|----------|--------------|--------------|---------------|
| | 1 | 63031830 | Self-drilling screw ST4,8X16-K-ST-A2E D | 2.000 | ST | 0000000000 | 0000000000 |
| X- | 2 | 66002170 | Tachograph -BR/BD TRIKE | 1.000 | ST | 0000000000 | 0000000000 |
| | 3 | 73120030 | Washer 6 -200HV-A3E ISO 7090 | 2.000 | ST | 0000000000 | 0000000000 |
| | 4 | 73110680 | Hexagon nut M 8-A2-70 ISO 4032 | 3.000 | ST | 0000000000 | 0000000000 |
| | 5 | 53214570 | Handhold | 1.000 | ST | 0000000000 | 0000000000 |
| X- | 6 | 73120170 | Washer 8-A2 ISO 7089 | 8.000 | ST | 0000000000 | 0000000000 |
| | 7 | 54813010 | Lever | 1.000 | ST | 0000000000 | 0000000000 |
| | 8 | 77779990 | Stockpiling discontinued | 1.000 | ST | 0000000000 | 0000000000 |
| Positionstext: / 1.161-101.0 / -103.0 / -201.0/ -203.0 / -209.0 | | | | | | | |
| | 9 | 73030090 | Saucer-head screw M8x50-8.8-A2E DIN 603 | 1.000 | ST | 0000000000 | 0000000000 |
| | 10 | 63210960 | Star grip M10X129 | 1.000 | ST | 0000000000 | 0000000000 |
| | 11 | 73121580 | Washer 11-A2-50 DIN 1441 | 3.000 | ST | 0000000000 | 0000000000 |
| X- | 12 | 53101280 | Nut | 1.000 | ST | 0000000000 | 0000000000 |
| | 13 | 51107650 | Sleeve | 1.000 | ST | 0000000000 | 0000000000 |
| | 14 | 44811460 | Lever complete | 1.000 | ST | 0000000000 | 0000000000 |
| | 15 | 73042640 | Hexagonal head screw M 8x70-A4-70 ISO 4 | 1.000 | ST | 0000000000 | 0000000000 |
| | 19 | 73120260 | Washer 6 -A2 ISO 7090 | 1.000 | ST | 0000000000 | 0000000000 |
| | 21 | 73430050 | Locking ring 16x1-FST-PHR DIN 471 | 2.000 | ST | 0000000000 | 0000000000 |
| | 22 | 44811670 | Lever complete | 1.000 | ST | 0000000000 | 0000000000 |
| | 23 | 40389300 | Sheet metal component tothing ball valv | 1.000 | ST | 0000000000 | 0000000000 |
| | 24 | 63898990 | Angle bushing | 1.000 | ST | 0000000000 | 0000000000 |
| | 25 | 50444360 | Holder BRTRIKE | 1.000 | ST | 0000000000 | 0000000000 |
| | 26 | 73031870 | Saucer-head screw M6x16-A2 DIN 603 | 1.000 | ST | 0000000000 | 0000000000 |
| | 27 | 73110670 | Hexagon nut M 6-A2-70 ISO 4032 | 1.000 | ST | 0000000000 | 0000000000 |
| | 29 | 64133780 | Stop cock R 1/2 zoll | 1.000 | ST | 0000000000 | 0000000000 |

42 Operating element (01639440)

| ET/VT | pos | Article no. | Description | Quantity | Selling Unit | from ser.nr. | up to ser.nr. |
|-------|-----|-------------|---|----------|--------------|--------------|---------------|
| | 30 | 63300150 | Extension spring | 1.000 | ST | 0000000000 | 0000000000 |
| | 31 | 44811660 | Lever complete | 1.000 | ST | 0000000000 | 0000000000 |
| | 32 | 73045380 | Hexagonal head screw M8x16-A4-70 ISO 40 | 4.000 | ST | 0000000000 | 0000000000 |
| | 33 | 54813090 | Lever | 1.000 | ST | 0000000000 | 0000000000 |
| | 34 | 54813080 | Lever | 1.000 | ST | 0000000000 | 0000000000 |
| | 35 | 63301420 | Extension spring | 1.000 | ST | 0000000000 | 0000000000 |
| | 36 | 63391080 | Rubber buffer | 1.000 | ST | 0000000000 | 0000000000 |
| | 37 | 54434810 | Angle bushing | 1.000 | ST | 0000000000 | 0000000000 |



43 Operating element (01632360)

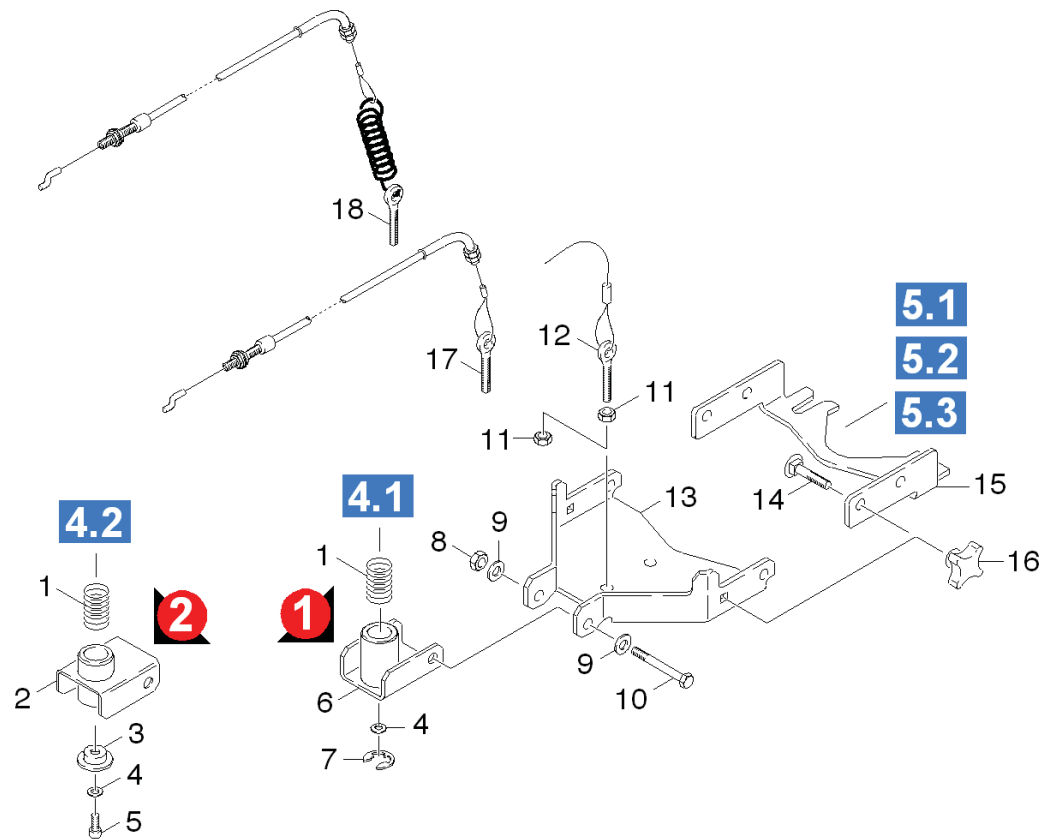
| ET/VT | pos | Article no. | Description | Quantity | Selling Unit | from ser.nr. | up to ser.nr. |
|--|-----|-------------|---|----------|--------------|--------------|---------------|
| | 1 | 63680760 | Ornamental hub cap D10/D12 | 1.000 | ST | 0000000000 | 0000000000 |
| | 2 | 73030650 | Sheet metal screw ST3,5X25-ST-A2R (IN6R | 1.000 | ST | 0000000000 | 0000000000 |
| | 3 | 53215090 | Handhold | 1.000 | ST | 0000000000 | 0000000000 |
| | 4 | 54700340 | Coupler | 1.000 | ST | 0000000000 | 0000000000 |
| X- | 5 | 51108230 | Spacer | 1.000 | ST | 0000000000 | 0000000000 |
| | 6 | 54700330 | Coupler | 1.000 | ST | 0000000000 | 0000000000 |
| | 7 | 44811490 | Lever complete | 1.000 | ST | 0000000000 | 0000000000 |
| | 8 | 44811400 | Lever complete 278 | 1.000 | ST | 0000000000 | 0000000000 |
| Positionstext: / 1.161-101.0 / -103.0 / -201.0/ -203.0 / -209.0 / -211.0 | | | | | | | |
| | 8 | 44811450 | Lever complete | 1.000 | ST | 0000000000 | 0000000000 |
| Positionstext: / 1.161-102.0 / -104.0 / -202.0/ -204.0 / -210.0 / -212.0 | | | | | | | |
| X-X | 9 | 73163420 | Cotter 3,2x20 -St-A2E ISO 1234 | 1.000 | ST | 0000000000 | 0000000000 |
| Positionstext: / 1.161-201.0 / -203.0 / -209.0/ -211.0 | | | | | | | |
| | 10 | 73121580 | Washer 11-A2-50 DIN 1441 | 3.000 | ST | 0000000000 | 0000000000 |
| | 11 | 50484990 | Sheet metal component | 1.000 | ST | 0000000000 | 0000000000 |
| | 12 | 73110680 | Hexagon nut M 8-A2-70 ISO 4032 | 8.000 | ST | 0000000000 | 0000000000 |
| | 13 | 73162230 | Bolt B10,0X 28-ST-A2E ISO 2341 | 1.000 | ST | 0000000000 | 0000000000 |
| Positionstext: / 1.161-102.0 / -104.0 / -202.0/ -204.0 / -210.0 / -212.0 | | | | | | | |
| X- | 14 | 73061440 | Cylinder head screw M 8x20-A2-70 ISO 47 | 1.000 | ST | 0000000000 | 0000000000 |
| X- | 15 | 73120170 | Washer 8-A2 ISO 7089 | 6.000 | ST | 0000000000 | 0000000000 |
| | 16 | 73060340 | Screw M6x55-A2-70 DIN 7984 | 1.000 | ST | 0000000000 | 0000000000 |
| | 17 | 51107660 | Sleeve | 1.000 | ST | 0000000000 | 0000000000 |
| | 18 | 73110670 | Hexagon nut M 6-A2-70 ISO 4032 | 1.000 | ST | 0000000000 | 0000000000 |
| X- | 24 | 73042490 | Hexagonal head screw M10x80-A2-70 ISO 4 | 1.000 | ST | 0000000000 | 0000000000 |
| | 25 | 73120660 | Washer 10 -A2 ISO 7090 | 2.000 | ST | 0000000000 | 0000000000 |

43 Operating element (01632360)

| ET/VT | pos | Article no. | Description | Quantity | Selling Unit | from ser.nr. | up to ser.nr. |
|--|-----|-------------|---|----------|--------------|--------------|---------------|
| | 26 | 54812470 | Lever 274 | 1.000 | ST | 0000000000 | 0000000000 |
| Positionstext: / 1.161-101.0 / -103.0 / -201.0/ -203.0 / -209.0 / -211.0 | | | | | | | |
| | 27 | 73030090 | Saucer-head screw M8x50-8.8-A2E DIN 603 | 1.000 | ST | 0000000000 | 0000000000 |
| X- | 28 | 73114410 | Hexagon nut M10-1.4305 ISO 10511 | 2.000 | ST | 0000000000 | 0000000000 |
| | 29 | 73032620 | Eye screw LBM 8x30-1.4571 DIN 444 | 1.000 | ST | 0000000000 | 0000000000 |
| | 35 | 73031870 | Saucer-head screw M6x16-A2 DIN 603 | 1.000 | ST | 0000000000 | 0000000000 |
| | 36 | 73120260 | Washer 6 -A2 ISO 7090 | 1.000 | ST | 0000000000 | 0000000000 |
| | 37 | 54434810 | Angle bushing | 2.000 | ST | 0000000000 | 0000000000 |
| | 38 | 50443330 | Holder | 1.000 | ST | 0000000000 | 0000000000 |
| X- | 39 | 64130990 | Ball valve | 1.000 | ST | 0000000000 | 0000000000 |
| | 42 | 53167850 | Bolt | 1.000 | ST | 0000000000 | 0000000000 |
| Positionstext: / 1.161-202.0 / -204.0 / -210.0 | | | | | | | |
| | 44 | 73432040 | Lock washer 6 -CuSn8 DIN 6799 | 1.000 | ST | 0000000000 | 0000000000 |
| Positionstext: / 1.161-202.0 / -204.0 / -210.0 | | | | | | | |

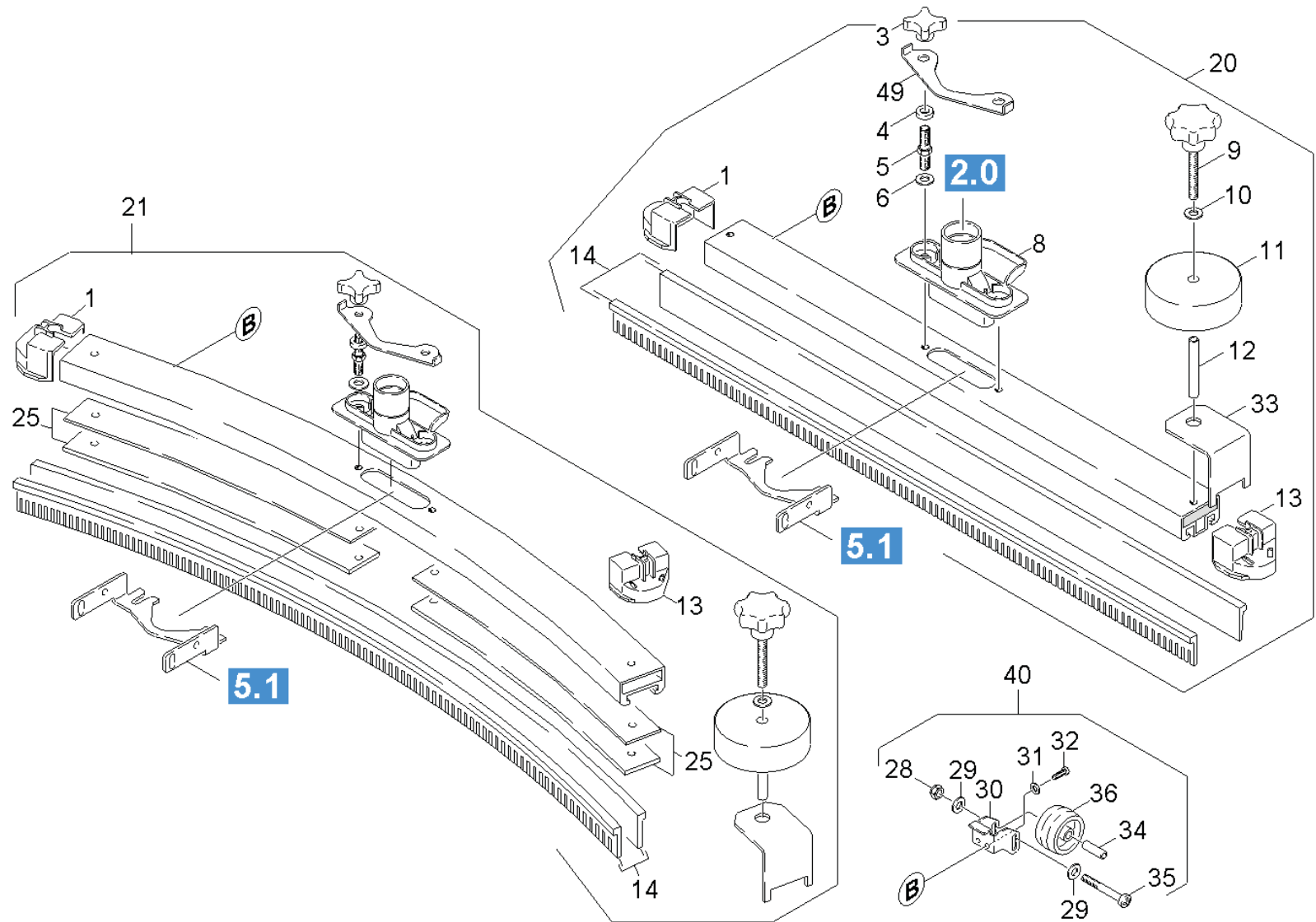
50 Suction bar (01628200)

| pos | Article no. | Description | from ser.nr. | up to ser.nr. | Fußnotentext |
|-----|-------------|---------------------|--------------|---------------|--------------|
| 51 | 01628210 | Bracket suction bar | 0000000000 | 0000000000 | |
| 52 | 01631240 | Suction bar | 0000000000 | 0000000000 | VERSION 1 |
| 53 | 01635600 | Suction bar | 0000000000 | 0000000000 | VERSION 2 |
| 54 | 01648310 | Suction bar | | | VERSION 3 |
| 55 | 01102360 | Suction bar | | | VERSION 4 |



51 Bracket suction bar (01628210)

| ET/VT | pos | Article no. | Description | Quantity | Selling Unit | from ser.nr. | up to ser.nr. |
|---|-----|-------------|---|----------|--------------|--------------|---------------|
| | 1 | 53322060 | Helical spring | 1.000 | ST | 0000000000 | 0000000000 |
| | 2 | 40581000 | Carrier suction bar | 1.000 | ST | 0000000000 | 0000000000 |
| | 3 | 51108680 | Sleeve | 1.000 | ST | 0000000000 | 0000000000 |
| | 4 | 73120260 | Washer 6 -A2 ISO 7090 | 1.000 | ST | 0000000000 | 0000000000 |
| X-X | 5 | 73060310 | Screw M 6x16-A2-70 DIN 7984 | 1.000 | ST | 0000000000 | 0000000000 |
| | 6 | 40580880 | Carrier suction bar | 1.000 | ST | 0000000000 | 0000000000 |
| | 7 | 73432060 | Lock washer 12-2.1030 DIN 6799 | 1.000 | ST | 0000000000 | 0000000000 |
| | 8 | 73114270 | Hexagon nut M8 -04-A2E ISO 10511 | 1.000 | ST | 0000000000 | 0000000000 |
| | 9 | 73120040 | Washer 8 -200HV-A3E ISO 7090 | 4.000 | ST | 0000000000 | 0000000000 |
| | 10 | 73061510 | Cylinder head screw M8x65 -8.8-A2E ISO4 | 1.000 | ST | 0000000000 | 0000000000 |
| | 11 | 73110680 | Hexagon nut M 8-A2-70 ISO 4032 | 2.000 | ST | 0000000000 | 0000000000 |
| | 12 | 41720170 | Rope complete TORNADO * | 1.000 | ST | 20000 | |
| Positionstext: //1.161-101/ -102/ -103/ -104.0 | | | | | | | |
| | 12 | 77779990 | Stockpiling discontinued | 1.000 | ST | | 19999 |
| Positionstext: //1.161-101/ -102/ -103/ -104.0 | | | | | | | |
| | 13 | 50441690 | Holder suction bar | 1.000 | ST | 0000000000 | 0000000000 |
| X-X | 14 | 73031390 | Saucer-head screw M6x20 -A2 DIN 603 | 2.000 | ST | 0000000000 | 0000000000 |
| | 15 | 50482340 | Rocker suction bar | 1.000 | ST | 0000000000 | 0000000000 |
| | 16 | 73210110 | Star handle K 32 DIN 6335 | 2.000 | ST | 0000000000 | 0000000000 |
| X-X | 17 | 64311890 | Bowden wire complete | 1.000 | ST | 0000000000 | 0000000000 |
| Positionstext: //1.161-110/ -201/ -202/ -203/ -204/-211/ -212.0 | | | | | | | |
| | 18 | 64311990 | Bowden wire complete with spring | 1.000 | ST | 0000000000 | 0000000000 |
| Positionstext: //1.161-209/ -210.0 | | | | | | | |

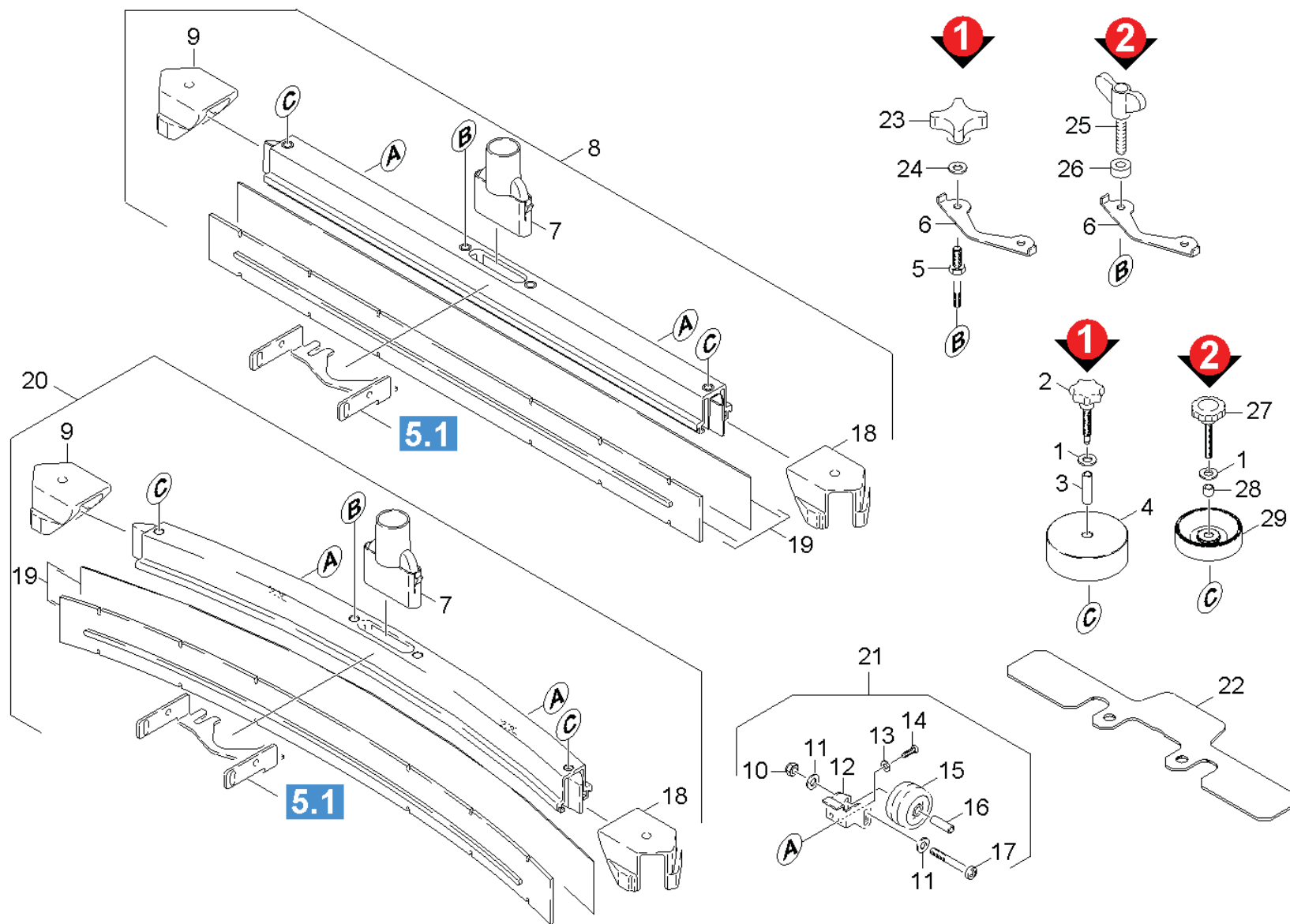


52 Suction bar (01631240)

| ET/VT | pos | Article no. | Description | Quantity | Selling Unit | from ser.nr. | up to ser.nr. |
|-------|-----|-------------|--|----------|--------------|--------------|---------------|
| X- | 1 | 50314820 | End piece right | 2.000 | ST | 0000000000 | 0000000000 |
| X-X | 3 | 63211330 | Star handle | 2.000 | ST | 0000000000 | 0000000000 |
| X- | 4 | 73120800 | Washer 10-C -100HV-tZn DIN 7989-1 | 2.000 | ST | 0000000000 | 0000000000 |
| | 5 | 53080570 | Threaded bolt | 2.000 | ST | 0000000000 | 0000000000 |
| | 6 | 73122770 | Washer 8-200HV-A2E ISO7093-1 | 2.000 | ST | 0000000000 | 0000000000 |
| | 8 | 50314640 | Suction nipple | 1.000 | ST | 0000000000 | 0000000000 |
| X- | 9 | 63212430 | Star grip stainless steel D50x48 | 2.000 | ST | 0000000000 | 0000000000 |
| | 10 | 73120040 | Washer 8 -200HV-A3E ISO 7090 | 2.000 | ST | 0000000000 | 0000000000 |
| X- | 11 | 55150960 | Roller | 2.000 | ST | 0000000000 | 0000000000 |
| | 12 | 50294690 | Tube | 2.000 | ST | 0000000000 | 0000000000 |
| X- | 13 | 50314650 | End piece left | 1.000 | ST | 0000000000 | 0000000000 |
| X-X | 14 | 62731800 | Rubber lip kit only for replacement PU | 1.000 | ZSA | 0000000000 | 0000000000 |
| X-X | 14 | 62731790 | Rubber lip kit only for replacement NK | 1.000 | ZSA | 0000000000 | 0000000000 |
| X-X | 20 | 47773020 | Suction bar 940AB | 1.000 | ST | 0000000000 | 0000000000 |
| X-X | 21 | 47770550 | Suction bar curved | 1.000 | ST | 0000000000 | 0000000000 |
| | 25 | 54012490 | Insert curved | 1.000 | ST | 0000000000 | 0000000000 |
| | 28 | 73114220 | Hexagon nut M 6-1.4305 ISO 10511 | 2.000 | ST | 0000000000 | 0000000000 |
| | 29 | 73120260 | Washer 6 -A2 ISO 7090 | 4.000 | ST | 0000000000 | 0000000000 |
| | 30 | 50443040 | Holder roller | 2.000 | ST | 0000000000 | 0000000000 |
| X-X | 31 | 73120580 | Washer 5 -A2 ISO 7090 | 2.000 | ST | 0000000000 | 0000000000 |
| | 32 | 73030370 | Screw M5x10 -St-P2R (In6Rd) | 2.000 | ST | 0000000000 | 0000000000 |
| | 33 | 50171360 | Angle | 2.000 | ST | 0000000000 | 0000000000 |
| | 34 | 51052450 | Axle | 2.000 | ST | 0000000000 | 0000000000 |
| | 35 | 73061990 | Screw M 6x50-A2-70 (IN6RD) | 1.000 | ST | 0000000000 | 0000000000 |
| X-X | 36 | 64354010 | Wheel D54 | 2.000 | ST | 0000000000 | 0000000000 |

52 Suction bar (01631240)

| ET/VT | pos | Article no. | Description | Quantity | Selling Unit | from ser.nr. | up to ser.nr. |
|-------|-----|-------------|---------------------------------------|----------|--------------|--------------|---------------|
| | 40 | 26395610 | Add-on kit support wheels suction bar | 1.000 | ST | 0000000000 | 0000000000 |
| | 49 | 50072170 | Plate | 1.000 | ST | 0000000000 | 0000000000 |

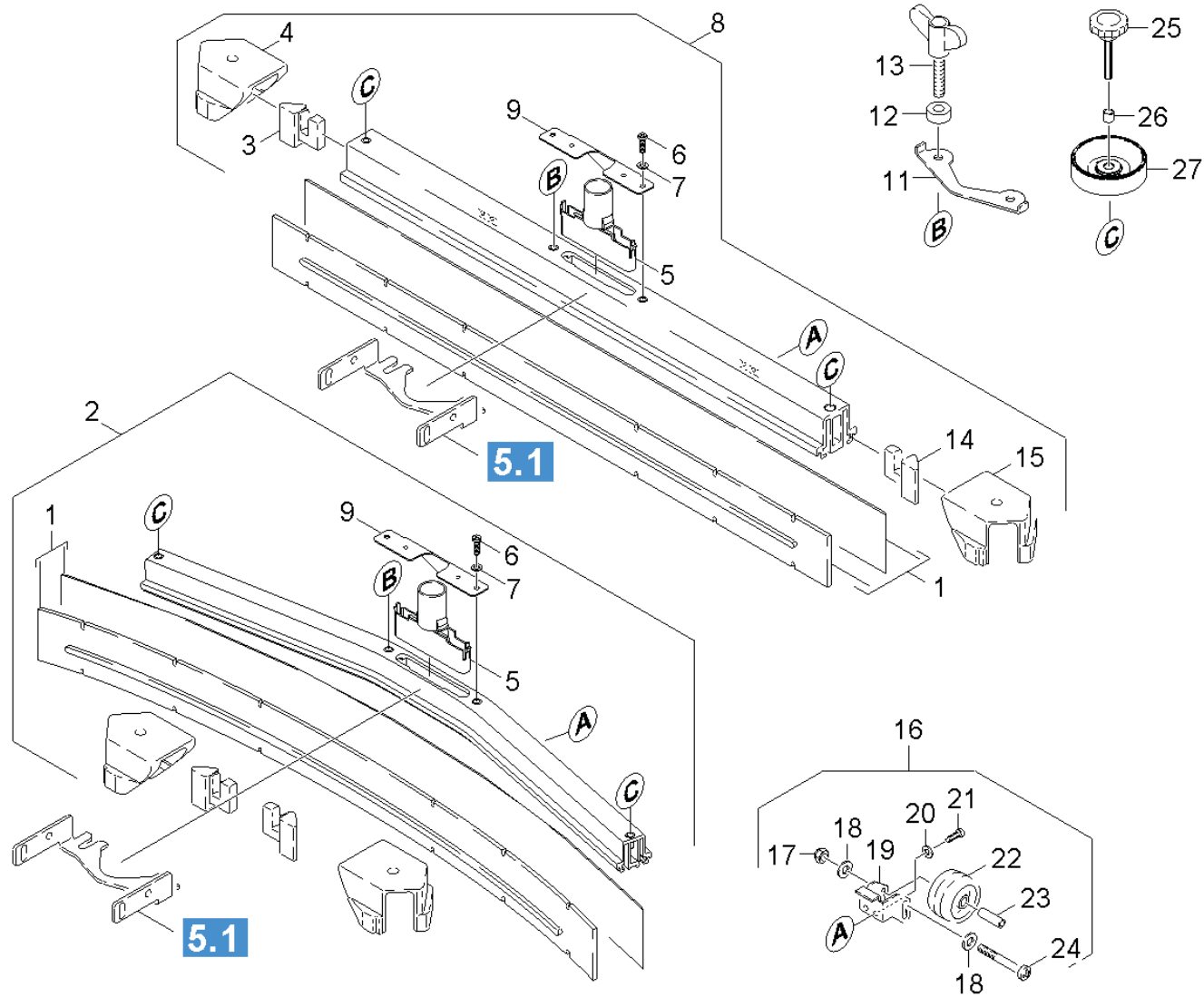


53 Suction bar (01635600)

| ET/VT | pos | Article no. | Description | Quantity | Selling Unit | from ser.nr. | up to ser.nr. | var. information | Fußnotentext |
|-------|-----|-------------|--|----------|--------------|--------------|---------------|------------------|-----------------------------|
| | 1 | 73120040 | Washer 8 -200HV-A3E ISO 7090 | 2.000 | ST | 0000000000 | 0000000000 | | |
| X- | 2 | 63212430 | Star grip stainless steel D50x48 | 2.000 | ST | 0000000000 | 0000000000 | | VERSION 1 |
| | 3 | 50940500 | Tube | 2.000 | ST | 0000000000 | 0000000000 | | VERSION 1 |
| X- | 4 | 55150960 | Roller | 2.000 | ST | 0000000000 | 0000000000 | | VERSION 1 |
| | 5 | 53080640 | Threaded bolt | 2.000 | ST | 0000000000 | 0000000000 | | VERSION 1 |
| | 6 | 50072170 | Plate | 1.000 | ST | 0000000000 | 0000000000 | | |
| | 6 | 50076190 | Plate suction bar | 1.000 | ST | | | | STAINLESS STEEL CONSTRUCTIO |
| | 7 | 50319890 | Suction nipple | 1.000 | ST | 0000000000 | 0000000000 | | |
| X-X | 8 | 47773020 | Suction bar 940AB | 1.000 | ST | 0000000000 | 0000000000 | | |
| | 9 | 50319910 | End piece right | 1.000 | ST | 0000000000 | 0000000000 | | |
| | 10 | 73114220 | Hexagon nut M 6-1.4305 ISO 10511 | 1.000 | ST | 0000000000 | 0000000000 | | |
| | 11 | 73120260 | Washer 6 -A2 ISO 7090 | 2.000 | ST | 0000000000 | 0000000000 | | |
| | 12 | 50443040 | Holder roller | 2.000 | ST | 0000000000 | 0000000000 | | |
| | 13 | 73120520 | Washer 5 -A2 ISO 7089 | 2.000 | ST | 0000000000 | 0000000000 | | |
| | 14 | 73030370 | Screw M5x10 -St-P2R (In6Rd) | 2.000 | ST | 0000000000 | 0000000000 | | |
| X-X | 15 | 64354010 | Wheel D54 | 2.000 | ST | 0000000000 | 0000000000 | | |
| | 16 | 51052450 | Axle | 1.000 | ST | 0000000000 | 0000000000 | | |
| | 17 | 73061990 | Screw M 6x50-A2-70 (IN6RD) | 1.000 | ST | 0000000000 | 0000000000 | | |
| | 18 | 50319900 | End piece left | 1.000 | ST | 0000000000 | 0000000000 | | |
| X-X | 19 | 62732080 | Rubber lip set oil resistant | 1.000 | ZSA | 0000000000 | 0000000000 | | OIL RESISTANT |
| X-X | 19 | 62732050 | Rubber lip set anti stripe oil resistant | 1.000 | ZSA | 0000000000 | 0000000000 | | ANTI-STRIP |
| X-X | 19 | 62732140 | Rubber lip set standard | 1.000 | ZSA | 0000000000 | 0000000000 | | STANDARD |
| X-X | 20 | 47770550 | Suction bar curved | 1.000 | ST | 0000000000 | 0000000000 | | |
| | 21 | 26395610 | Add-on kit support wheels suction bar | 1.000 | ST | 0000000000 | 0000000000 | | |
| | 22 | 51283390 | Additional weight suction bar | 1.000 | ST | 0000000000 | 0000000000 | | |

53 Suction bar (01635600)

| ET/VT | pos | Article no. | Description | Quantity | Selling Unit | from ser.nr. | up to ser.nr. | var. information | Fußnotentext |
|-------|-----|-------------|----------------------------|----------|--------------|--------------|---------------|------------------|-----------------------------|
| X-X | 23 | 63211330 | Star handle | 2.000 | ST | 0000000000 | 0000000000 | | VERSION 1 |
| | 24 | 73120660 | Washer 10 -A2 ISO 7090 | 2.000 | ST | 0000000000 | 0000000000 | | VERSION 1 |
| X- | 25 | 53052860 | Wing screw M8x | 2.000 | ST | 0000000000 | 0000000000 | VERSION 2 | |
| X-X | 25 | 53052960 | Wing screw M8x40 VA | 2.000 | ST | | | VERSION 2 | STAINLESS STEEL CONSTRUCTIO |
| | 26 | 51127480 | Sleeve | 2.000 | ST | 0000000000 | 0000000000 | VERSION 2 | |
| X-X | 26 | 51128100 | Sleeve VA | 2.000 | ST | | | VERSION 2 | STAINLESS STEEL CONSTRUCTIO |
| | 27 | 63212390 | Star grip VA Ø50x43 | 2.000 | ST | | | VERSION 2 | STAINLESS STEEL CONSTRUCTIO |
| | 28 | 50942310 | Sleeve suction bar in VA | 2.000 | ST | | | VERSION 2 | STAINLESS STEEL CONSTRUCTIO |
| X- | 29 | 55152670 | Deflector roll suction bar | 2.000 | ST | | | VERSION 2 | |

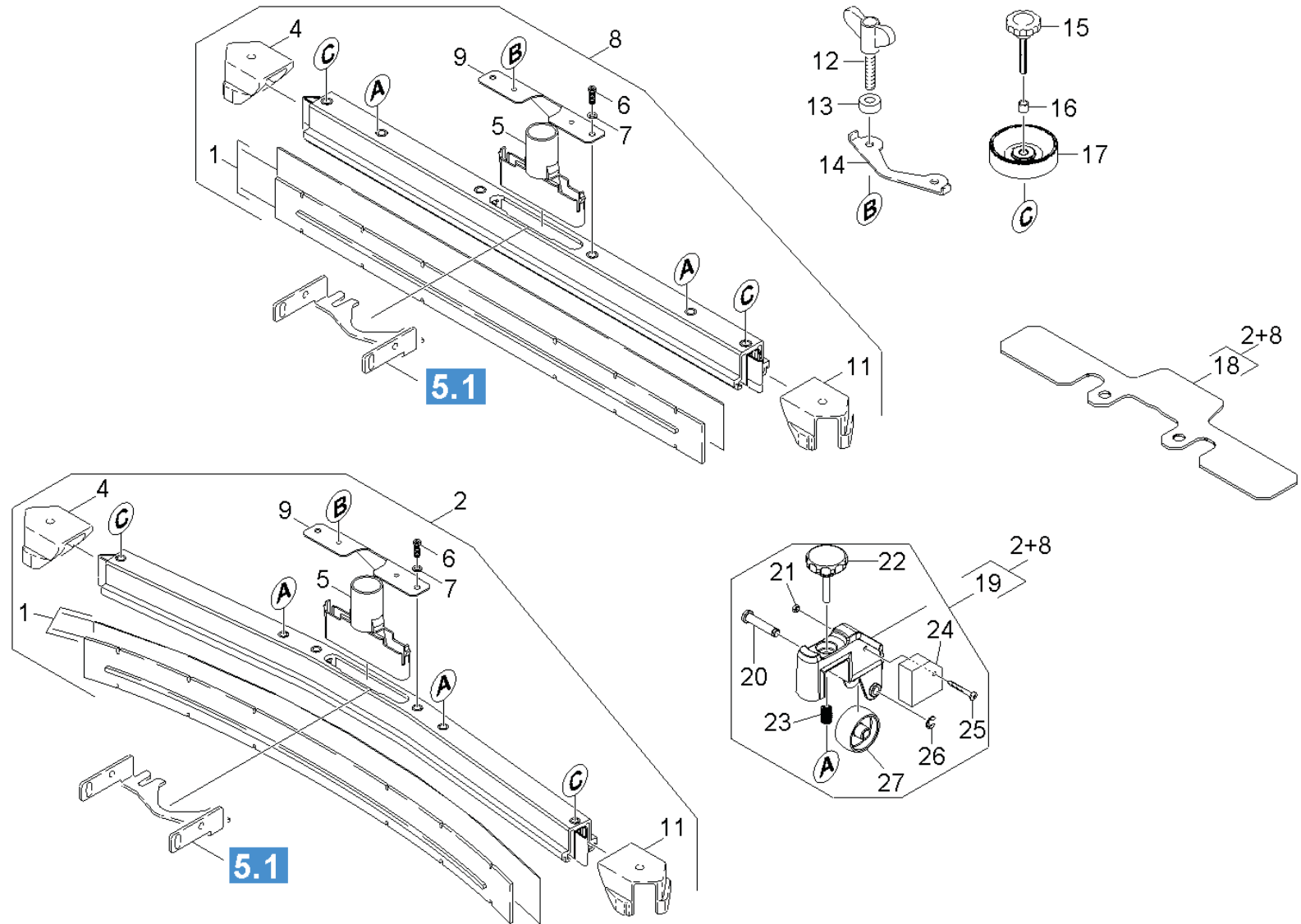


54 Suction bar (01648310)

| ET/VT | pos | Article no. | Description | Quantity | Selling Unit | from ser.nr. | up to ser.nr. | var. information | Fußnotentext |
|-------|-----|-------------|--|----------|--------------|--------------|---------------|------------------|---------------------------|
| X-X | 1 | 62732140 | Rubber lip set standard | 1.000 | ZSA | | | | STANDARD |
| X-X | 1 | 62732050 | Rubber lip set anti stripe oil resistant | 1.000 | ZSA | | | | ANTI-STRIP, OIL RESISTANT |
| X-X | 1 | 62732080 | Rubber lip set oil resistant | 1.000 | ZSA | 0000000000 | 0000000000 | | OIL RESISTANT |
| X-X | 2 | 47773120 | Suction bar curved 940AB | 1.000 | ST | 0000000000 | 0000000000 | | |
| | 3 | 50319930 | End piece inside right | 1.000 | ST | 0000000000 | 0000000000 | | |
| | 4 | 50319910 | End piece right | 1.000 | ST | 0000000000 | 0000000000 | | |
| | 5 | 50336690 | Suction nipple | 1.000 | ST | 0000000000 | 0000000000 | | |
| X-X | 6 | 73061420 | Cylinder head screw M 8x25-A4-70 ISO 47 | 2.000 | ST | | | | |
| X- | 7 | 73120170 | Washer 8-A2 ISO 7089 | 2.000 | ST | | | | |
| X-X | 8 | 47773020 | Suction bar 940AB | 1.000 | ST | 0000000000 | 0000000000 | | |
| | 9 | 51005590 | Suction bar support plate | 1.000 | ST | | | | |
| | 11 | 50072170 | Plate | 1.000 | ST | 0000000000 | 0000000000 | | |
| X-X | 12 | 51128100 | Sleeve VA | 2.000 | ST | | | (VA) | |
| X-X | 13 | 53052960 | Wing screw M8x40 VA | 2.000 | ST | | | (VA) | |
| | 14 | 50319920 | End piece inside left | 1.000 | ST | 0000000000 | 0000000000 | | |
| | 15 | 50319900 | End piece left | 1.000 | ST | 0000000000 | 0000000000 | | |
| | 16 | 26395610 | Add-on kit support wheels suction bar | 1.000 | ST | 0000000000 | 0000000000 | | |
| | 17 | 73114220 | Hexagon nut M 6-1.4305 ISO 10511 | 1.000 | ST | 0000000000 | 0000000000 | | |
| | 18 | 73120260 | Washer 6 -A2 ISO 7090 | 2.000 | ST | 0000000000 | 0000000000 | | |
| | 19 | 50443040 | Holder roller | 2.000 | ST | 0000000000 | 0000000000 | | |
| | 20 | 73120520 | Washer 5 -A2 ISO 7089 | 2.000 | ST | 0000000000 | 0000000000 | | |
| | 21 | 73030370 | Screw M5x10 -St-P2R (In6Rd) | 2.000 | ST | 0000000000 | 0000000000 | | |
| X-X | 22 | 64354010 | Wheel D54 | 2.000 | ST | 0000000000 | 0000000000 | | |
| | 23 | 51052450 | Axle | 1.000 | ST | 0000000000 | 0000000000 | | |
| | 24 | 73045500 | Hexagonal head screw M 6x45-A4-70 ISO 4 | 2.000 | ST | | | | |

54 Suction bar (01648310)

| ET/VT | pos | Article no. | Description | Quantity | Selling Unit | from ser.nr. | up to ser.nr. | var. information | Fußnotentext |
|-------|-----|-------------|----------------------------|----------|--------------|--------------|---------------|------------------|------------------------|
| | 25 | 63212390 | Star grip VA Ø50x43 | 2.000 | ST | | | | STAINLESS STEEL CONSTR |
| | 26 | 50942310 | Sleeve suction bar in VA | 2.000 | ST | | | | STAINLESS STEEL CONSTR |
| X- | 27 | 55152670 | Deflector roll suction bar | 2.000 | ST | | | | |



55 Suction bar (01102360)

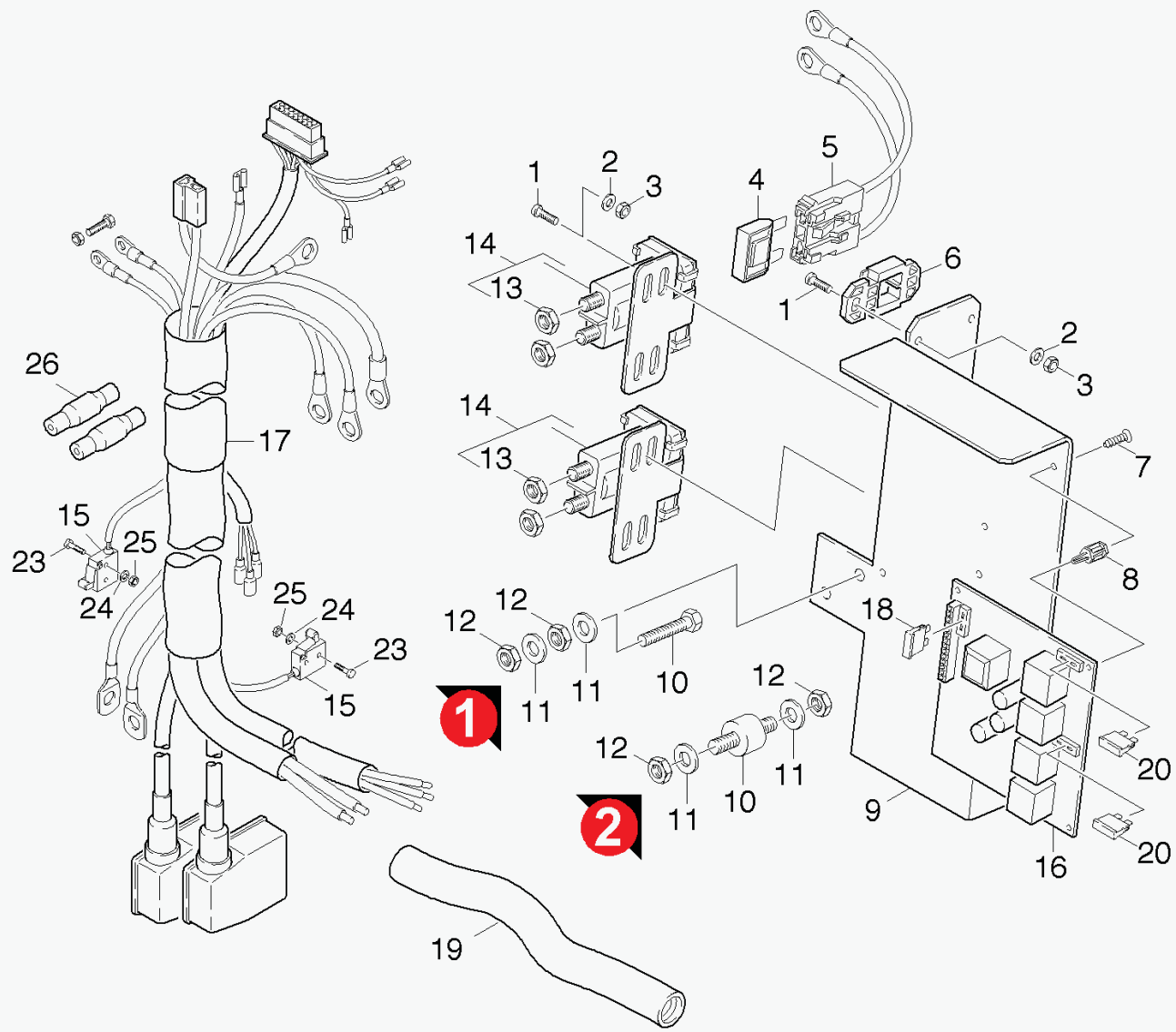
| ET/VT | pos | Article no. | Description | Quantity | Selling Unit | var. information | Fußnotentext |
|-------|-----|-------------|--|----------|--------------|------------------|---------------------------|
| X- | 1 | 62732910 | BLADES FOR TEXTURED FLOORS | 1.000 | ST | | CLOSED, OIL RESISTANT |
| X- | 1 | 62732910 | BLADES FOR TEXTURED FLOORS | 1.000 | ST | | CLOSED, OIL RESISTANT |
| X-X | 1 | 62732080 | Rubber lip set oil resistant | 1.000 | ZSA | (980mm) | OIL RESISTANT |
| X-X | 1 | 62732050 | Rubber lip set anti stripe oil resistant | 1.000 | ZSA | (980mm) | ANTI-STRIP, OIL RESISTANT |
| X- | 2 | 47774120 | Suction bar curved 940mm | 1.000 | ST | | |
| | 4 | 50319910 | End piece right | 1.000 | ST | | |
| | 5 | 50336010 | Suction nipple | 1.000 | ST | | |
| X-X | 6 | 73061420 | Cylinder head screw M 8x25-A4-70 ISO 47 | 2.000 | ST | | |
| X- | 7 | 73120170 | Washer 8-A2 ISO 7089 | 2.000 | ST | | |
| X- | 8 | 47774020 | Suction bar straight 940mm | 1.000 | ST | | |
| | 9 | 51005590 | Suction bar support plate | 1.000 | ST | | |
| | 11 | 50319900 | End piece left | 1.000 | ST | | |
| X-X | 12 | 53052960 | Wing screw M8x40 VA | 2.000 | ST | | |
| X-X | 13 | 51128100 | Sleeve VA | 2.000 | ST | | |
| | 14 | 50072170 | Plate | 2.000 | ST | | |
| | 15 | 63212390 | Star grip VA Ø50x43 | 2.000 | ST | | |
| | 16 | 50942310 | Sleeve suction bar in VA | 2.000 | ST | | |
| | 17 | 55153460 | Deflector roll suction bar D120 | 2.000 | ST | | |
| | 18 | 51283390 | Additional weight suction bar | 1.000 | ST | | |
| | 19 | 40353390 | Roller suction bar | 2.000 | ST | | |
| | 20 | 53040980 | Bolt | 2.000 | ST | | |
| X- | 21 | 73114310 | Hexagon nut M 5-1.4305 ISO 10511 | 2.000 | ST | | |
| | 22 | 63212400 | Star grip with inscription VA Ø50x43 | 2.000 | ST | | |
| X-X | 23 | 53325040 | Pressure spring | 2.000 | ST | | |
| | 24 | 51005600 | Additional weight suction bar 300 g | 2.000 | ST | | |

55 Suction bar (01102360)

| ET/VT | pos | Article no. | Description | Quantity | Selling Unit | var. information | Fußnotentext |
|-------|-----|-------------|----------------------------|----------|--------------|------------------|--------------|
| | 25 | 73061850 | Screw M5x 35-A2-70 (IN6RD) | 2.000 | ST | | |
| | 26 | 73433030 | Locking ring 8-A2 DIN 6799 | 2.000 | ST | | |
| X-X | 27 | 64354010 | Wheel D54 | 2.000 | ST | | |

60 Electronic control (01638060)

| pos | Article no. | Description | from ser.nr. | up to ser.nr. | Fußnotentext |
|-----|-------------|--------------------|--------------|---------------|--------------|
| 61 | 01628670 | Electronic control | 0000000000 | 0000000000 | VERSION 1+2 |
| 62 | 01638070 | Electronic control | 0000000000 | 0000000000 | VERSION 3 |
| 63 | 01644790 | Electronic control | | | VERSION 4 |



61 Electronic control (01628670)

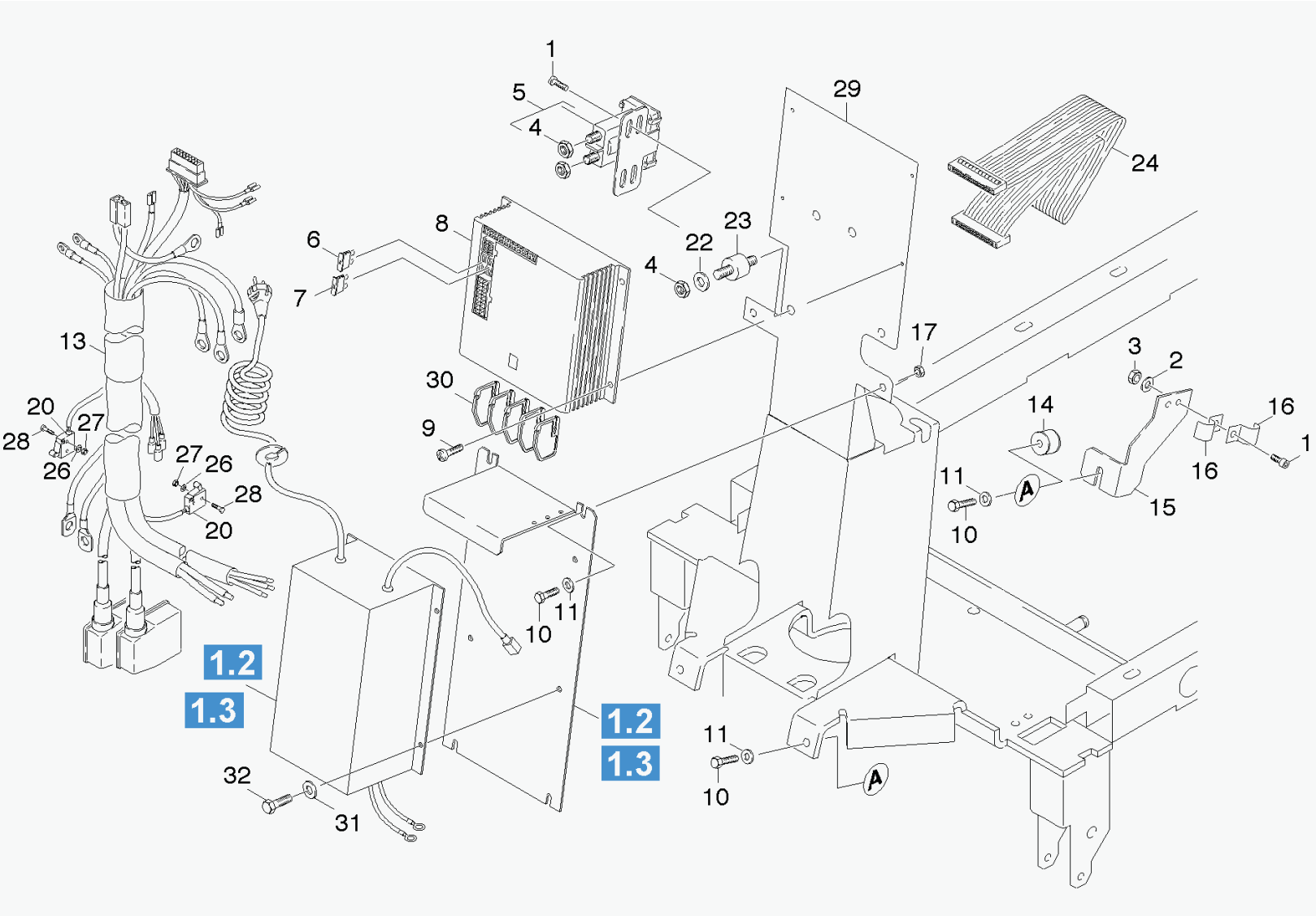
| ET/VT | pos | Article no. | Description | Quantity | Selling Unit | from ser.nr. | up to ser.nr. | var. information |
|-------|-----|-------------|--|----------|--------------|--------------|---------------|------------------|
| | 1 | 73060580 | Screw M 4X 12- 8.8-R2R K-IN6RD | 5.000 | ST | 0000000000 | 0000000000 | |
| | 2 | 73120010 | Washer 4 -200HV-A3E ISO 7089 | 8.000 | ST | 0000000000 | 0000000000 | |
| | 3 | 73110010 | Hexagon nut M4 -8-A2E ISO 4032 | 5.000 | ST | 0000000000 | 0000000000 | |
| X-X | 4 | 66443070 | Blade type fuse 70A | 1.000 | ST | 0000000000 | 0000000000 | |
| | 5 | 66442750 | Fuse holder | 1.000 | ST | 0000000000 | 0000000000 | |
| | 6 | 66442760 | Plate | 1.000 | ST | 0000000000 | 0000000000 | |
| | 7 | 73062030 | Screw M 3X 8-A2-70 (IN6RD) | 4.000 | ST | 0000000000 | 0000000000 | |
| | 8 | 63160150 | Distance holder TER M3 | 4.000 | ST | 0000000000 | 0000000000 | |
| | 9 | 40387360 | Sheet metal component complete BRTRIKE E | 1.000 | ST | 0000000000 | 0000000000 | |
| | 10 | 66520330 | Isolator | 2.000 | ST | 0000000000 | 0000000000 | VERS 2 |
| | 10 | 73061790 | Screw M5x8 -A2-70 (In6Rd) | 2.000 | ST | 0000000000 | 0000000000 | VERS 1 |
| | 11 | 73120520 | Washer 5 -A2 ISO 7089 | 4.000 | ST | 0000000000 | 0000000000 | |
| | 12 | 73110210 | Hexagon nut M 5-8-A2E EN 1661 | 4.000 | ST | 0000000000 | 0000000000 | |
| | 13 | 73110410 | Hexagon nut M 8-CU 2 ISO 4032 | 4.000 | ST | 0000000000 | 0000000000 | |
| | 14 | 66333890 | Power relay | 2.000 | ST | 0000000000 | 0000000000 | |
| X-X | 15 | 66301040 | Micro switch BR/BD TRIKE | 2.000 | ST | 0000000000 | 0000000000 | |
| | 16 | 66825500 | Control circuit board BR/BD TRIKE SENSOR | 1.000 | ST | 0000020000 | 0000000000 | |
| | 16 | 66824680 | Control circuit board BR/BD TRIKE | 1.000 | ST | 0000000000 | 0000019999 | |
| | 17 | 48392280 | Electrical small parts | 1.000 | ST | 0000000000 | 0000000000 | |
| | 18 | 76440060 | Fuse insert C 3 DIN 72581-3 | 1.000 | ST | 0000000000 | 0000000000 | |
| | 19 | 63905520 | Hose | 1.000 | ST | 0000000000 | 0000000000 | |
| X-X | 20 | 76440240 | Fuse insert C40 DIN 72581-3 | 2.000 | ST | 0000000000 | 0000000000 | |
| | 21 | 28838730 | Spare part set | 1.000 | ST | 0000000000 | 0000000000 | |
| | 23 | 73060450 | Screw M2x20 -8.8-A2R (In6Rd) | 4.000 | ST | 0000000000 | 0000000000 | |
| | 24 | 73120530 | Washer 2,5-200HV-A3E ISO 7089 | 4.000 | ST | 0000000000 | 0000000000 | |

61 Electronic control (01628670)

| ET/VT | pos | Article no. | Description | Quantity | Selling Unit | from ser.nr. | up to ser.nr. | var. information |
|-------|-----|-------------|-------------------------------------|----------|--------------|--------------|---------------|------------------|
| | 25 | 73110740 | Hexagon nut M 2-8-A2E ISO 4032 | 4.000 | ST | 0000000000 | 0000000000 | |
| X-X | 26 | 66412100 | Series connector 1,5mm ² | 2.000 | ST | 0000000000 | 0000000000 | |

21 Spare part set (28838730)

| ET/VT | pos | Article no. | Description | Quantity | Selling Unit |
|-------|-----|-------------|-----------------------------|----------|--------------|
| X-X | 10 | 66443070 | Blade type fuse 70A | 1.000 | ST |
| | 20 | 76440060 | Fuse insert C 3 DIN 72581-3 | 1.000 | ST |
| X-X | 30 | 76440240 | Fuse insert C40 DIN 72581-3 | 1.000 | ST |



62 Electronic control (01638070)

| ET/VT | pos | Article no. | Description | Quantity | Selling Unit | from ser.nr. | up to ser.nr. |
|---|-----|-------------|---|----------|--------------|--------------|---------------|
| | 1 | 73060580 | Screw M 4X 12- 8.8-R2R K-IN6RD | 4.000 | ST | 0000000000 | 0000000000 |
| | 2 | 73120010 | Washer 4 -200HV-A3E ISO 7089 | 2.000 | ST | 0000000000 | 0000000000 |
| | 3 | 73110010 | Hexagon nut M4 -8-A2E ISO 4032 | 2.000 | ST | 0000000000 | 0000000000 |
| | 4 | 73110410 | Hexagon nut M 8-CU 2 ISO 4032 | 2.000 | ST | 0000000000 | 0000000000 |
| | 5 | 66333890 | Power relay | 1.000 | ST | 0000000000 | 0000000000 |
| | 6 | 76440060 | Fuse insert C 3 DIN 72581-3 | 1.000 | ST | 0000000000 | 0000000000 |
| X- | 7 | 76440070 | Fuse insert C 7,5 DIN 72581-3 | 1.000 | ST | 0000000000 | 0000000000 |
| X-X | 8 | 66826520 | Control circuit board | 1.000 | ST | 0000000000 | 0000000000 |
| Positionstext: / 1.161-201.0 / -202.0 / -203.0 / -204.0 / -209.0 / -210.0 / -211.0 / -212.0 | | | | | | | |
| | 9 | 73064060 | Cylinder head screw M3x16-4.8-A2E ISO 1 | 4.000 | ST | 0000000000 | 0000000000 |
| | 10 | 73060920 | Screw M6x20-ST- 8.8-R3R (IN6RD) | 4.000 | ST | 0000000000 | 0000000000 |
| | 11 | 73122760 | Washer 6 -200HV-A2E ISO7093-1 | 4.000 | ST | 0000000000 | 0000000000 |
| | 12 | 73110670 | Hexagon nut M 6-A2-70 ISO 4032 | 2.000 | ST | 0000000000 | 0000000000 |
| | 13 | 48392280 | Electrical small parts | 1.000 | ST | 0000000000 | 0000000000 |
| X-X | 14 | 63390210 | Rubber buffer 2xM6-D20 H15 | 5.000 | ST | 0000000000 | 0000000000 |
| | 15 | 50497420 | Sheet metal component | 1.000 | ST | 0000000000 | 0000000000 |
| Positionstext: / 1.161-203.0 / -204.0 / -211.0/ -212.0 | | | | | | | |
| | 16 | 66480770 | Cable clamp | 1.000 | ST | 0000000000 | 0000000000 |
| | 17 | 73110030 | Hexagon nut M6 -8-A2E ISO 4032 | 2.000 | ST | 0000000000 | 0000000000 |
| X-X | 20 | 66301040 | Micro switch BR/BD TRIKE | 2.000 | ST | 0000000000 | 0000000000 |
| | 22 | 73120520 | Washer 5 -A2 ISO 7089 | 2.000 | ST | 0000000000 | 0000000000 |
| | 23 | 66520330 | Isolator | 1.000 | ST | 0000000000 | 0000000000 |
| X- | 24 | 67683530 | Ribbon cable 40P | 1.000 | ST | 0000000000 | 0000000000 |
| | 26 | 73120530 | Washer 2,5-200HV-A3E ISO 7089 | 4.000 | ST | 0000000000 | 0000000000 |
| | 27 | 73110740 | Hexagon nut M 2-8-A2E ISO 4032 | 4.000 | ST | 0000000000 | 0000000000 |

62 Electronic control (01638070)

| ET/VT | pos | Article no. | Description | Quantity | Selling Unit | from ser.nr. | up to ser.nr. |
|-------|-----|-------------|---|----------|--------------|--------------|---------------|
| | 28 | 73060450 | Screw M2x20 -8.8-A2R (In6Rd) | 4.000 | ST | 0000000000 | 0000000000 |
| | 29 | 50581230 | Sheet metal component BR/BD/KM | 1.000 | ST | 0000000000 | 0000000000 |
| | 30 | 50324050 | Moulded part plate electronics | 5.000 | ST | 0000000000 | 0000000000 |
| | 31 | 73120020 | Washer 5-200HV-A3E ISO 7090 | 4.000 | ST | 0000000000 | 0000000000 |
| | 32 | 73064430 | Cylinder head screw M5x12-4.8-A2E ISO 1 | 4.000 | ST | 0000000000 | 0000000000 |

63 Electronic control (01644790)

| ET/VT | pos | Article no. | Description | Quantity | Selling Unit | from ser.nr. | up to ser.nr. |
|---|-----|-------------|---|----------|--------------|--------------|---------------|
| | 1 | 73060580 | Screw M 4X 12- 8.8-R2R K-IN6RD | 4.000 | ST | 0000000000 | 0000000000 |
| | 2 | 73120010 | Washer 4 -200HV-A3E ISO 7089 | 2.000 | ST | 0000000000 | 0000000000 |
| | 3 | 73110010 | Hexagon nut M4 -8-A2E ISO 4032 | 2.000 | ST | 0000000000 | 0000000000 |
| | 4 | 73110410 | Hexagon nut M 8-CU 2 ISO 4032 | 2.000 | ST | 0000000000 | 0000000000 |
| | 5 | 66333890 | Power relay | 1.000 | ST | 0000000000 | 0000000000 |
| | 6 | 76440060 | Fuse insert C 3 DIN 72581-3 | 1.000 | ST | 0000000000 | 0000000000 |
| X- | 7 | 76440070 | Fuse insert C 7,5 DIN 72581-3 | 1.000 | ST | 0000000000 | 0000000000 |
| X-X | 8 | 66826520 | Control circuit board | 1.000 | ST | 0000000000 | 0000000000 |
| Positionstext: / 1.161-201.0 / -202.0 / -203.0 / -204.0 / -209.0 / -210.0 / -211.0 / -212.0 | | | | | | | |
| | 9 | 73064060 | Cylinder head screw M3x16-4.8-A2E ISO 1 | 4.000 | ST | 0000000000 | 0000000000 |
| | 10 | 73060920 | Screw M6x20-ST- 8.8-R3R (IN6RD) | 4.000 | ST | 0000000000 | 0000000000 |
| | 11 | 73122760 | Washer 6 -200HV-A2E ISO7093-1 | 4.000 | ST | 0000000000 | 0000000000 |
| | 12 | 73110670 | Hexagon nut M 6-A2-70 ISO 4032 | 2.000 | ST | 0000000000 | 0000000000 |
| | 13 | 48392280 | Electrical small parts | 1.000 | ST | 0000000000 | 0000000000 |
| | 16 | 66480770 | Cable clamp | 1.000 | ST | 0000000000 | 0000000000 |
| | 17 | 73110030 | Hexagon nut M6 -8-A2E ISO 4032 | 2.000 | ST | 0000000000 | 0000000000 |
| X-X | 20 | 66301040 | Micro switch BR/BD TRIKE | 2.000 | ST | 0000000000 | 0000000000 |
| | 22 | 73120520 | Washer 5 -A2 ISO 7089 | 2.000 | ST | 0000000000 | 0000000000 |
| | 23 | 66520330 | Isolator | 1.000 | ST | 0000000000 | 0000000000 |
| X- | 24 | 67683530 | Ribbon cable 40P | 1.000 | ST | 0000000000 | 0000000000 |
| | 26 | 73120530 | Washer 2,5-200HV-A3E ISO 7089 | 4.000 | ST | 0000000000 | 0000000000 |
| | 27 | 73110740 | Hexagon nut M 2-8-A2E ISO 4032 | 4.000 | ST | 0000000000 | 0000000000 |
| | 28 | 73060450 | Screw M2x20 -8.8-A2R (In6Rd) | 4.000 | ST | 0000000000 | 0000000000 |
| | 29 | 50581230 | Sheet metal component BR/BD/KM | 1.000 | ST | 0000000000 | 0000000000 |
| | 30 | 50324050 | Moulded part plate electronics | 5.000 | ST | 0000000000 | 0000000000 |

63 Electronic control (01644790)

| ET/VT | pos | Article no. | Description | Quantity | Selling Unit | from ser.nr. | up to ser.nr. |
|-------|-----|-------------|-----------------------------|----------|--------------|--------------|---------------|
| | 31 | 73120020 | Washer 5-200HV-A3E ISO 7090 | 4.000 | ST | 0000000000 | 0000000000 |
| | 32 | 73030380 | Screw M5x12 -St-P2R (In6Rd) | 4.000 | ST | 0000000000 | 0000000000 |

70 Power brush BR (01628230)

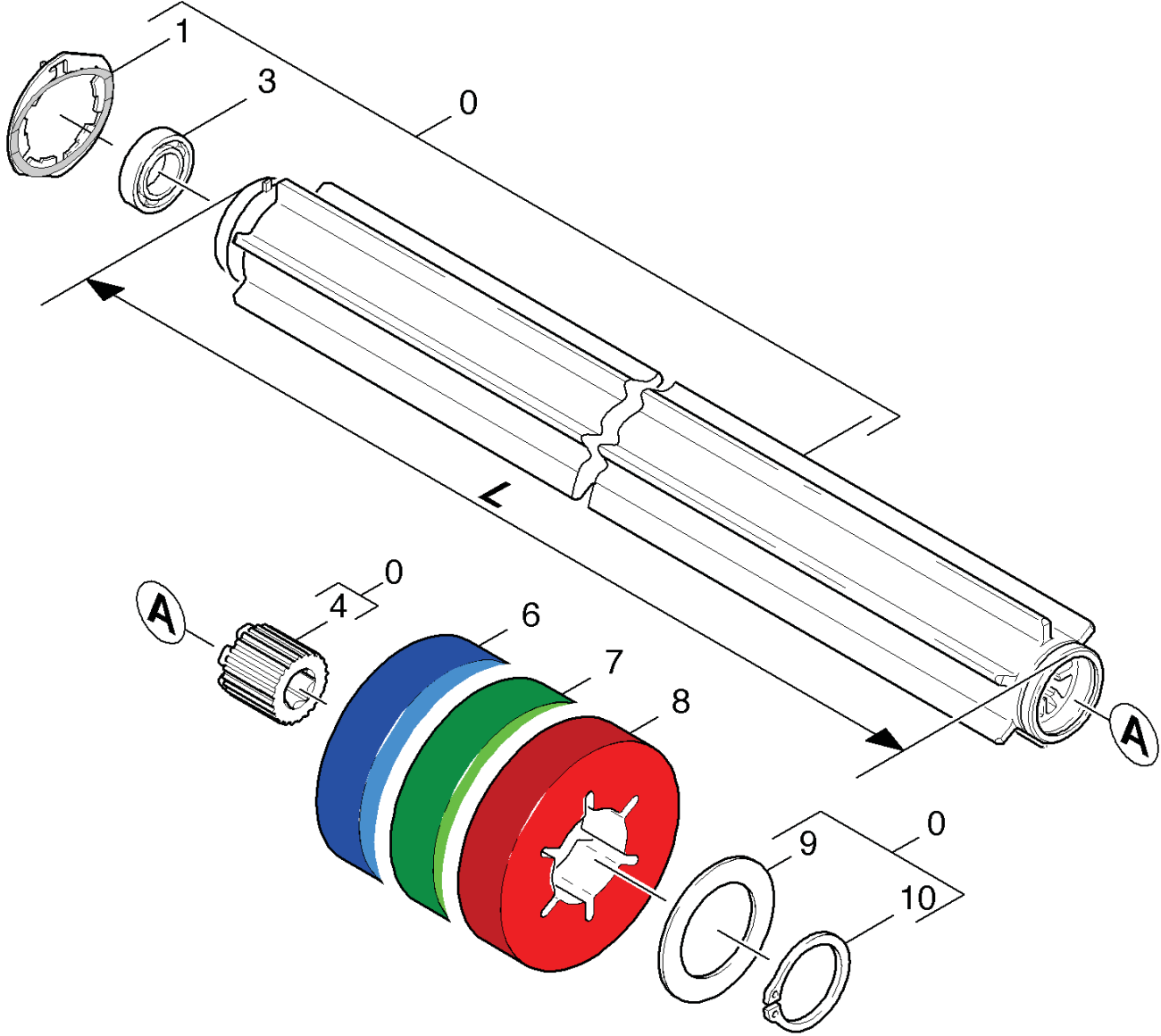
| ET/VT | pos | Article no. | Description | Quantity | Selling Unit | from ser.nr. | up to ser.nr. | var. information | Fußnotentext |
|------------------------------|-----|-------------|---|----------|--------------|--------------|---------------|------------------|---------------|
| | 1 | 40440650 | Holder-up | 1.000 | ST | 0000000000 | 0000000000 | | |
| | 2 | 73060400 | Cylinder head screw M8x16 -8.8-A2E ISO4 | 2.000 | ST | 0000000000 | 0000000000 | | |
| X- | 3 | 73120170 | Washer 8-A2 ISO 7089 | 8.000 | ST | 0000000000 | 0000000000 | | |
| X-X | 4 | 40386780 | Sheet metal component | 2.000 | ST | 0000000000 | 0000000000 | | |
| | 5 | 73110680 | Hexagon nut M 8-A2-70 ISO 4032 | 6.000 | ST | 0000000000 | 0000000000 | | |
| X- | 6 | 73061440 | Cylinder head screw M 8x20-A2-70 ISO 47 | 6.000 | ST | 0000000000 | 0000000000 | | |
| | 7 | 50018570 | Plate | 1.000 | ST | 0000000000 | 0000000000 | | |
| X-X | 8 | 51900980 | Strip | 1.000 | ST | 0000000000 | 0000000000 | | |
| | 8 | 51902240 | Strip PU | 1.000 | ST | 0000000000 | 0000000000 | | OIL RESISTANT |
| | 9 | 50060290 | Plate | 1.000 | ST | 0000000000 | 0000000000 | | |
| X- | 10 | 73031040 | Screw 5x16 -A2-70 (IN6RD) | 8.000 | ST | 0000000000 | 0000000000 | | |
| | 11 | 50060230 | Cover plate | 1.000 | ST | 0000000000 | 0000000000 | | |
| X- | 12 | 50294620 | Tube | 1.000 | ST | 0000000000 | 0000000000 | | |
| | 13 | 50607200 | Brush housing | 1.000 | ST | 0000000000 | 0000000000 | | |
| | 14 | 63210540 | Star handle M8X16 | 2.000 | ST | 0000000000 | 0000000000 | | VERSION 1 |
| X-X | 15 | 57621330 | Roller brush green (old colour grey) | 2.000 | ST | 0000000000 | 0000000000 | | |
| X-X | 15 | 57621300 | Roller brush red (old colour white) | 2.000 | ST | 0000000000 | 0000000000 | | |
| X-X | 15 | 57621310 | Roller brush white (old colour black) | 2.000 | ST | 0000000000 | 0000000000 | | |
| X-X | 15 | 57621320 | Roller brush orange (old colour red) | 2.000 | ST | 0000000000 | 0000000000 | | |
| | 16 | 46236950 | Motor complete | 1.000 | ST | 0000000000 | 0000000000 | | |
| Positionstext: //1.161-110.0 | | | | | | | | | |
| | 16 | 46234890 | Motor complete only for replacement | 1.000 | ST | 0000000000 | 0000000000 | | VERSION 1 |
| | 16 | 46236330 | Motor complete | 1.000 | ST | 0000000000 | 0000000000 | | VERSION 2 |
| X-X | 17 | 73433040 | Lock washer 15 -A2 DIN 6799 | 2.000 | ST | 0000000000 | 0000000000 | | |
| X-X | 18 | 51001700 | Driveshaft | 2.000 | ST | 0000000000 | 0000000000 | | |

70 Power brush BR (01628230)

| ET/VT | pos | Article no. | Description | Quantity | Selling Unit | from ser.nr. | up to ser.nr. | var. information | Fußnotentext |
|-------|-----|-------------|--|----------|--------------|--------------|---------------|------------------|--------------|
| X-X | 19 | 73180070 | Parallel key 4x4x16-C45R DIN 6885 | 1.000 | ST | 0000000000 | 0000000000 | | |
| X-X | 20 | 73432310 | Locking ring 32x1,2 -St-ph DIN 472 | 2.000 | ST | 0000000000 | 0000000000 | | |
| X-X | 21 | 51105690 | Sleeve | 1.000 | ST | 0000000000 | 0000000000 | | |
| X- | 22 | 74011690 | Ball bearing 6201-2RS-WAELZLAGST DIN 625 | 6.000 | ST | 0000000000 | 0000000000 | | |
| X- | 23 | 50441470 | Retainer plate transmission | 1.000 | ST | 0000000000 | 0000000000 | | |
| X- | 24 | 56253340 | Toothed belt pulley | 2.000 | ST | 0000000000 | 0000024919 | | VERSION 1 |
| X-X | 24 | 56254470 | Belt pulley | 2.000 | ST | 0000024920 | 0000000000 | | VERSION 2 |
| | 25 | 51109190 | Sleeve | 1.000 | ST | 0000000000 | 0000000000 | | ACCESSORIES |
| | 25 | 51106780 | Sleeve | 1.000 | ST | 0000000000 | 0000000000 | | |
| | 26 | 66102370 | Carbon brush set | 1.000 | ST | 0000000000 | 0000000000 | FA.AMER | |
| | 26 | 66102380 | Carbon brush set | 1.000 | ST | 0000000000 | 0000000000 | FA.ATAS | |
| X-X | 27 | 63484130 | Belt KEILRIPPEN | 1.000 | ST | 0000024920 | 0000000000 | | VERSION 2 |
| X-X | 27 | 63483770 | Toothed belt HTD 925-5M-25-CXPIII | 1.000 | ST | 0000000000 | 0000024919 | | VERSION 1 |
| | 28 | 73431510 | Locking ring 28x1,2-FST-RF DIN 472 | 1.000 | ST | 0000000000 | 0000000000 | | |
| | 29 | 73031860 | Saucer-head screw M8x40 -St-A0P DIN 603 | 1.000 | ST | 0000000000 | 0000000000 | | |
| | 30 | 54012270 | Roller | 1.000 | ST | 0000000000 | 0000000000 | | |
| X-X | 31 | 73430030 | Locking ring 12x1-Rf-St DIN 471 | 2.000 | ST | 0000000000 | 0000000000 | | |
| X-X | 32 | 73122890 | Washer 8 -A2 ISO 7093-1 | 12.000 | ST | 0000000000 | 0000000000 | | |
| X- | 33 | 64013630 | Ball bearing | 2.000 | ST | 0000000000 | 0000000000 | | |
| | 34 | 73114270 | Hexagon nut M8 -04-A2E ISO 10511 | 1.000 | ST | 0000000000 | 0000000000 | | |
| | 35 | 40310710 | Additional weight | 1.000 | ST | 0000000000 | 0000000000 | | |
| | 36 | 50484660 | Sheet metal component | 1.000 | ST | 0000000000 | 0000000000 | | |
| | 37 | 50072880 | Plate rubber bushing head BR | 1.000 | ST | 0000000000 | 0000000000 | | |
| | 38 | 53790270 | Rubber bushing rubber | 1.000 | ST | 0000000000 | 0000000000 | | |
| X-X | 39 | 63101280 | Wing nut M 8 | 2.000 | ST | 0000000000 | 0000000000 | | |

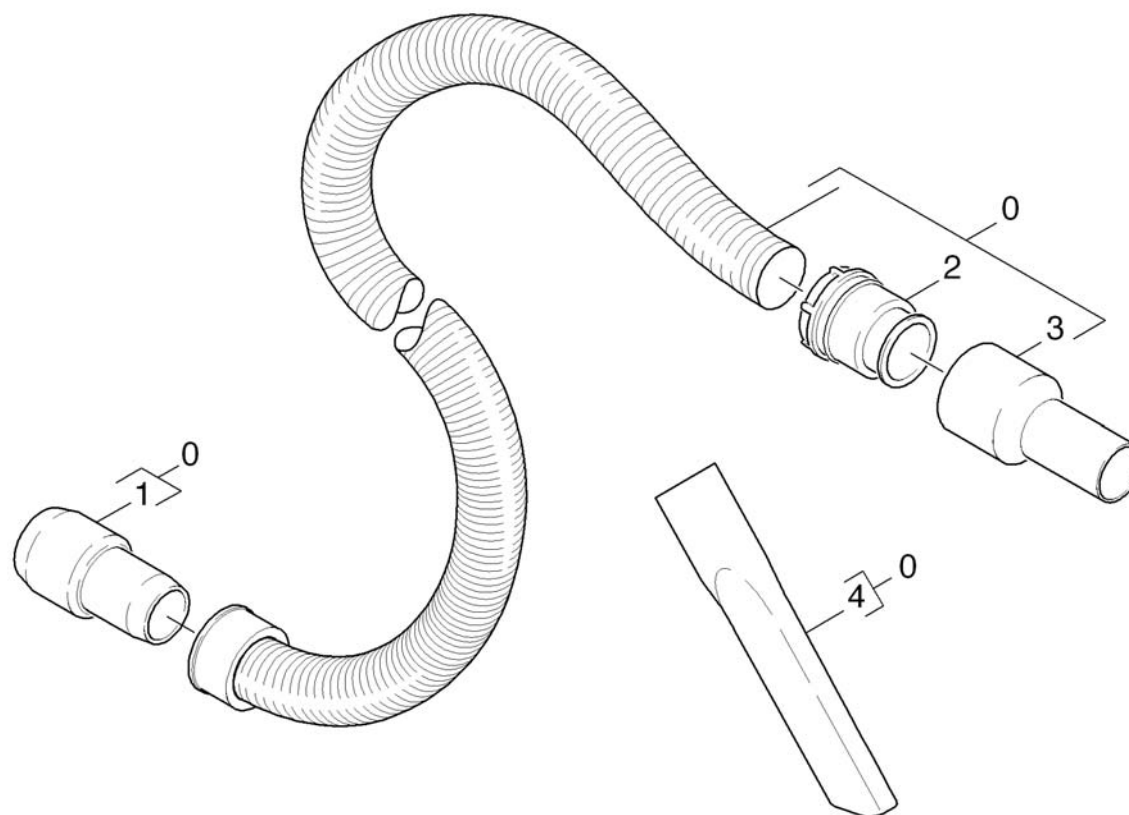
70 Power brush BR (01628230)

| ET/VT | pos | Article no. | Description | Quantity | Selling Unit | from ser.nr. | up to ser.nr. | var. information | Fußnotentext |
|-------|-----|-------------|---|----------|--------------|--------------|---------------|------------------|----------------------|
| X-X | 40 | 73073560 | Threaded pin M 8 x 30-A2-21H ISO 4029 | 2.000 | ST | 0000000000 | 0000000000 | | |
| | 41 | 66484010 | Cable gland black M25X1,5 | 1.000 | ST | 0000000000 | 0000000000 | | |
| | 42 | 66484950 | Multiple sealing insert M25 2x6 | 1.000 | ST | 0000000000 | 0000000000 | | |
| | 43 | 66420140 | Insulating hose 13 | 1.000 | M | 0000000000 | 0000000000 | | TO ORDER AS CUT GOOD |
| X-X | 44 | 73062180 | Screw M 8x16-A2-70 DIN 7984 | 9.000 | ST | 0000000000 | 0000000000 | | |
| | 45 | 63680680 | Drain plug 10,7 | 1.000 | ST | 0000000000 | 0000000000 | | |
| X- | 46 | 73120220 | Serrated lock washer A8,4-1.4310 DIN679 | 2.000 | ST | 0000000000 | 0000000000 | | |
| | 47 | 63121250 | Washer egde locking washer M8 | 2.000 | ST | 0000000000 | 0000000000 | | |
| X-X | 48 | 73130150 | Spring washer B 8-1.4310 DIN 127 | 9.000 | ST | 0000000000 | 0000000000 | | |



90 Pad roll (01627570)

| ET/VT | pos | Article no. | Description | Quantity | Selling Unit | from ser.nr. | up to ser.nr. | var. information |
|-------|-----|-------------|----------------------------------|----------|--------------|--------------|---------------|------------------|
| | 0 | 47621880 | Roll pad BR 700 | 1.000 | ST | 0000000000 | 0000000000 | L = 632 MM |
| | 1 | 41150040 | Washer closure | 1.000 | ST | 0000000000 | 0000000000 | |
| | 3 | 74010050 | Ball bearing 6302-2RS- DIN 6 | 1.000 | ST | 0000000000 | 0000000000 | |
| X-X | 4 | 51127360 | Bush hexagon 19mm | 1.000 | ST | | | |
| X- | 6 | 63694540 | Pad yellow 105-20ST | 1.000 | ZSA | 0000000000 | 0000000000 | |
| X-X | 7 | 63694550 | Pad green 105-20ST | 1.000 | ZSA | 0000000000 | 0000000000 | |
| X-X | 8 | 63694560 | Pad red 105-20ST | 1.000 | ZSA | 0000000000 | 0000000000 | |
| | 9 | 50052670 | Ronde | 1.000 | ST | 0000000000 | 0000000000 | |
| | 10 | 73430370 | Locking ring 50x2-FST-RF DIN 471 | 1.000 | ST | 0000000000 | 0000000000 | |



100 Suction hose (01643460)

| ET/VT | pos | Article no. | Description | Quantity | Selling Unit | from ser.nr. | up to ser.nr. |
|-------|-----|-------------|--------------------------|----------|--------------|--------------|---------------|
| | 0 | 44440150 | Suction hose accessories | 1.000 | ST | 0000000000 | 0000000000 |
| | 1 | 54530550 | Connecting sleeve | 1.000 | ST | 0000000000 | 0000000000 |
| | 2 | 69020310 | Threaded ring DN32 | 1.000 | ST | 0000000000 | 0000000000 |
| | 3 | 69020300 | Sleeve NW35 | 1.000 | ST | 0000000000 | 0000000000 |
| X-X | 4 | 69062400 | Crevice nozzle DN35 | 1.000 | ST | 0000000000 | 0000000000 |