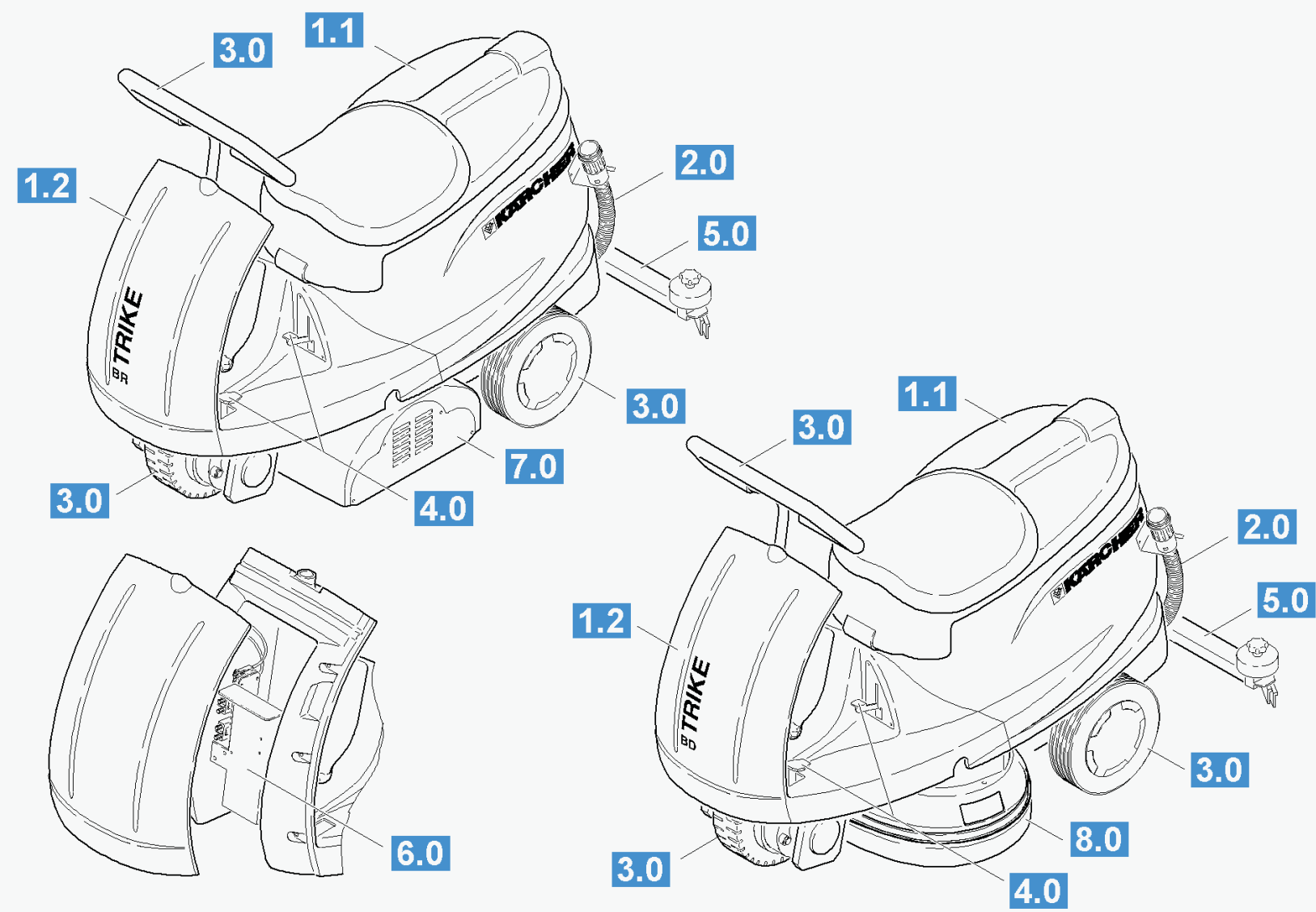


Spare parts list
(59582860) Spare parts list BR/BD TRIKE

Spare parts list BR/BD TRIKE (59582860).....	3
10 Individual parts (01628140).....	5
11 Seat (01628150).....	6
12 Front component (01628160).....	10
13 Front component (01614890).....	13
14 Control console (01632340).....	16
20 Water tank (01628170).....	19
30 Carriage (01634550).....	22
31 Carriage (01628180).....	23
32 Wheel drive motor (01634540).....	27
40 Operating element (01632350).....	29
41 Operating elements (01628190).....	30
58 Conversion kit tackle potentiometer (28824930).....	33
42 Operating element (01639440).....	34
43 Operating element (01632360).....	37
50 Suction bar (01628200).....	40
51 Bracket suction bar (01628210).....	41
52 Suction bar (01631240).....	43
53 Suction bar (01635600).....	46
54 Suction bar (01648310).....	49
55 Suction bar (01102360).....	52
60 Electronic control (01638060).....	55
61 Electronic control (01628670).....	56
21 Spare part set (28838730).....	59
62 Electronic control (01638070).....	60
63 Electronic control (01644790).....	63
70 Power brush BR (01628230).....	66
80 Power brush BD (01628560).....	70
81 Bottom part (01628570).....	72
82 Top part (01628580).....	75
90 Pad roll (01627570).....	78
100 Suction hose (01643460).....	80

Spare parts list BR/BD TRIKE (59582860)

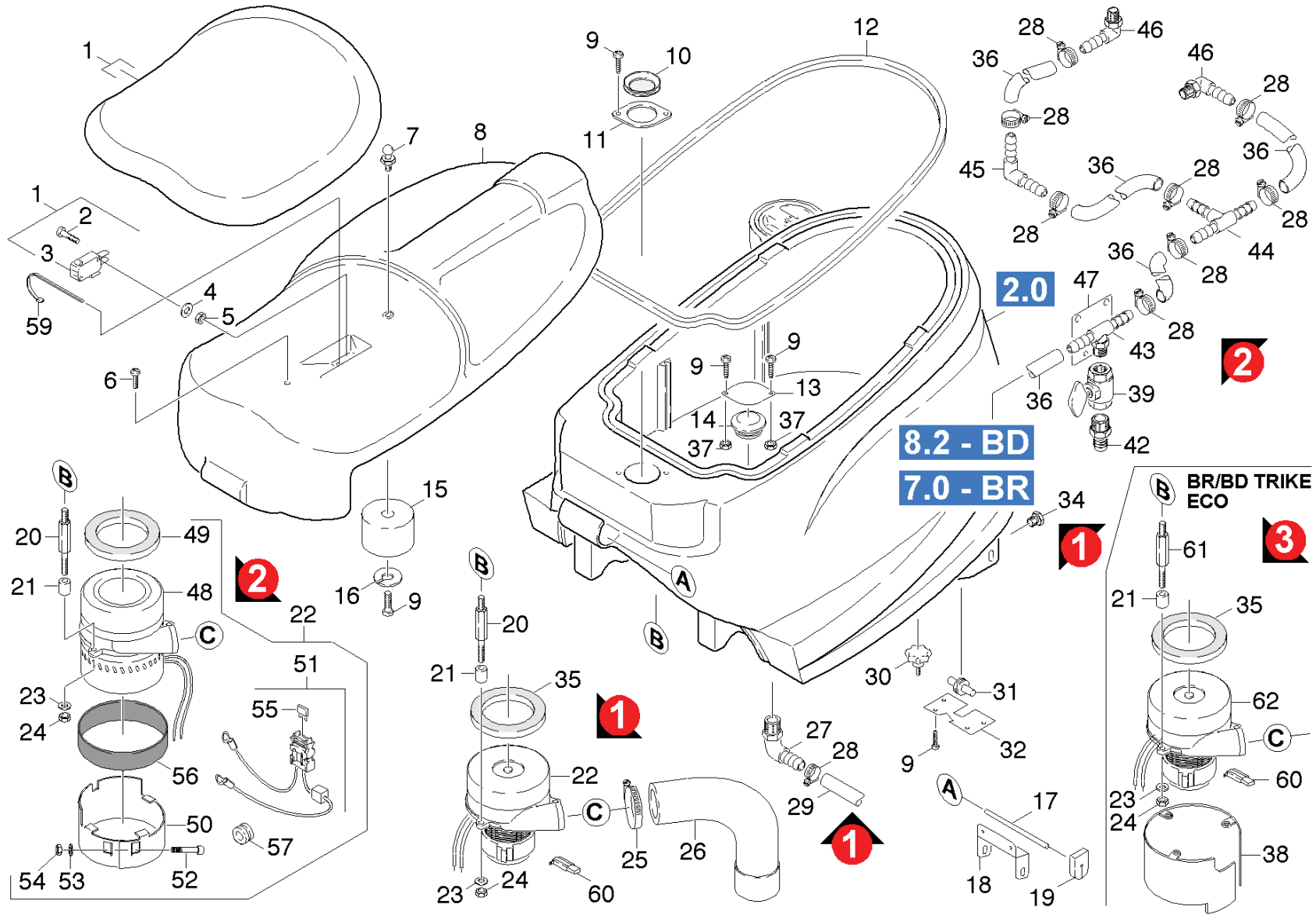


Spare parts list BR/BD TRIKE (59582860)

pos	Article no.	Description	from ser.nr.	up to ser.nr.
10	01628140	Individual parts	0000000000	0000000000
20	01628170	Water tank	0000000000	0000000000
30	01634550	Carriage	0000000000	0000000000
40	01632350	Operating element	0000000000	0000000000
50	01628200	Suction bar	0000000000	0000000000
60	01638060	Electronic control	0000000000	0000000000
70	01628230	Power brush BR	0000000000	0000000000
80	01628560	Power brush BD	0000000000	0000000000
90	01627570	Pad roll	0000000000	0000000000
100	01643460	Suction hose	0000000000	0000000000

10 Individual parts (01628140)

pos	Article no.	Description	from ser.nr.	up to ser.nr.	var. information
11	01628150	Seat	0000000000	0000000000	
12	01628160	Front component	0000000000	0000000000	BR/BD TRIKE
13	01614890	Front component	0000000000	0000000000	BR/BD TRIKE ECO
14	01632340	Control console	0000000000	0000000000	



11 Seat (01628150)

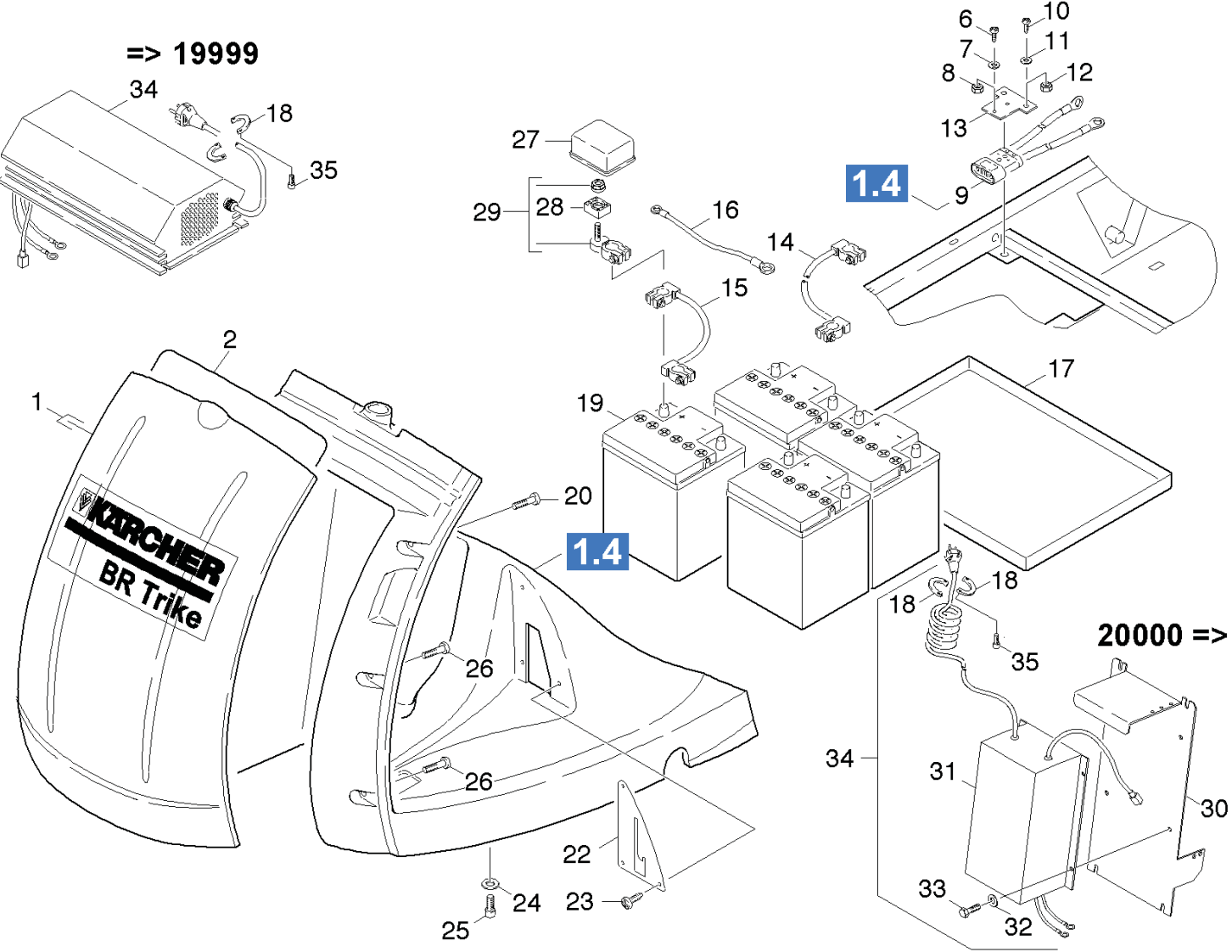
ET/VT	pos	Article no.	Description	Quantity	Selling Unit	from ser.nr.	up to ser.nr.	var. information	Fußnotentext
	1	46050390	Housing seat complete TRIKE	1.000	ST	0000000000	0000000000		
	2	73060450	Screw M2x20 -8.8-A2R (In6Rd)	2.000	ST	0000000000	0000000000		
	3	66318540	Micro switch	1.000	ST	0000000000	0000000000		
	4	73120430	Washer 3-A2 ISO 7089	2.000	ST	0000000000	0000000000		
	5	73110740	Hexagon nut M 2-8-A2E ISO 4032	2.000	ST	0000000000	0000000000		
	6	73061930	Screw M6x16 -A2-70 (In6Rd)	1.000	ST	0000000000	0000000000		
	7	53169090	Bolt only for replacement	1.000	ST	0000000000	0000000000		
	8	50638270	Cap of a tank	1.000	ST	0000000000	0000019999		
	8	50639320	Cover	1.000	ST	0000020000	0000000000		
	9	73031070	Screw 5x16 -10.9-P2R (K-In6Rd)	6.000	ST	0000000000	0000000000		
X-X	10	53633440	Joint ring	1.000	ST	0000000000	0000000000		
	11	50017520	Plate	1.000	ST	0000000000	0000000000		
X-X	12	63660430	Sealing profile	1.000	M	0000000000	0000000000		TO ORDER AS CUT GOODS
	13	50018880	Plate 328	1.000	ST	0000000000	0000000000		
	14	51321240	Plug	1.000	ST	0000000000	0000000000		
X-	15	55850580	Float BR/BD 530	1.000	ST	0000000000	0000000000		
	16	51157540	Washer	1.000	ST	0000000000	0000000000		
	17	51002630	Shaft	1.000	ST	0000000000	0000000000		
	18	50441910	Holder	1.000	ST	0000000000	0000000000		
	19	51321290	Plug	1.000	ST	0000000000	0000000000		
	20	53080560	Stud bolt	3.000	ST	0000000000	0000000000		
X-X	21	63390210	Rubber buffer 2xM6-D20 H15	3.000	ST	0000000000	0000000000		
	22	26399060	Conversion kit turbine TRIKE	1.000	ST	0000021960	0000000000		
X-X	22	64901150	Vacuum motor 24V	1.000	ST	0000000000	0000021959		
	23	73122760	Washer 6 -200HV-A2E ISO7093-1	3.000	ST	0000000000	0000000000		

11 Seat (01628150)

ET/VT	pos	Article no.	Description	Quantity	Selling Unit	from ser.nr.	up to ser.nr.	var. information	Fußnotentext
	24	73110030	Hexagon nut M6 -8-A2E ISO 4032	3.000	ST	0000000000	0000000000		
	25	63885630	Hose clip	1.000	ST	0000000000	0000000000		
	26	63902150	Soundproof hose	1.000	ST	0000000000	0000000000		
	27	63900020	Angle bushing	1.000	ST	0000000000	0000000000		
	28	66414740	Cable tape 8-210	1.000	ST	0000000000	0000000000		
	29	63882480	Hose DN12,5	1.000	M	0000000000	0000000000		TO ORDER AS CUT GOODS
	30	63211480	Star grip	1.000	ST	0000000000	0000000000		
	31	51002610	Shaft roller	2.000	ST	0000000000	0000019999		
	32	50492540	Sheet metal component	1.000	ST	0000000000	0000019999	* USA	
	32	50482830	Sheet metal component	1.000	ST	0000000000	0000019999	* EUR	
	34	73822350	Screw plug M18x1,5-A-CuZn DIN 7604	1.000	ST	0000000000	0000000000		
X-X	35	53631950	Joint ring	1.000	ST	0000000000	0000000000		
X-	36	63903240	Hose DN15	1.000	M	0000000000	0000000000		TO ORDER AS CUT GOODS
	37	73110670	Hexagon nut M 6-A2-70 ISO 4032	2.000	ST	0000000000	0000000000		
	38	50069890	Plate vacuum motor BR/BD TRIKE	1.000	ST	0000000000	0000000000		
	39	64133780	Stop cock R 1/2 zoll	1.000	ST	0000000000	0000000000		
	42	63896920	Hose stem 1/2"	1.000	ST	0000000000	0000000000		
	43	63903270	Screwed socket	1.000	ST	0000000000	0000000000		
	44	63883970	T-Hose nozzle 16-16-16	1.000	ST	0000000000	0000000000		
	45	63903260	Elbow connector	1.000	ST	0000000000	0000000000		
	46	63903280	Angle bushing	2.000	ST	0000000000	0000000000		
	47	77779990	Stockpiling discontinued	1.000	ST	0000000000	0000000000		
X-	48	64901900	Vacuum motor electronic commutating 24V	1.000	ST	0000021960	0000000000		
X-X	49	53635740	Joint ring	1.000	ST	0000021960	0000000000		
	50	50073410	Plate	1.000	ST	0000021960	0000000000		

11 Seat (01628150)

ET/VT	pos	Article no.	Description	Quantity	Selling Unit	from ser.nr.	up to ser.nr.	var. information	Fußnotentext
	51	66002450	Protective diode TRIKE	1.000	ST	0000021960	0000000000		
	52	73060440	Cylinder head screw M8x35 -8.8-A2E ISO4	1.000	ST	0000021960	0000000000		
	53	73120040	Washer 8 -200HV-A3E ISO 7090	1.000	ST	0000021960	0000000000		
	54	73115100	Hexagon nut M 8-8-A2E ISO 7040	1.000	ST	0000021960	0000000000		
	55	76440180	Fuse insert C15 DIN 72581-3	1.000	ST	0000021960	0000000000		
	56	62731200	Adhesiv cloth tape Zellkautschuk	1.000	M	0000021960	0000000000		TO ORDER AS CUT GOODS
	57	66478810	Cable gland	1.000	ST	0000000000	0000000000		
	59	66414630	Cable tape	1.000	ST	0000000000	0000000000		
	60	28830100	Carbon brush set	1.000	ST				VERSION 3
	60	66100220	Carbon brush	2.000	ST	0000000000	0000021959	AMTEK	VERSION 1
	61	53080660	Stud bolt	3.000	ST	0000000000	0000000000		
X-X	62	64900360	Vacuum motor 24 V 550W	1.000	ST	0000000000	0000000000		

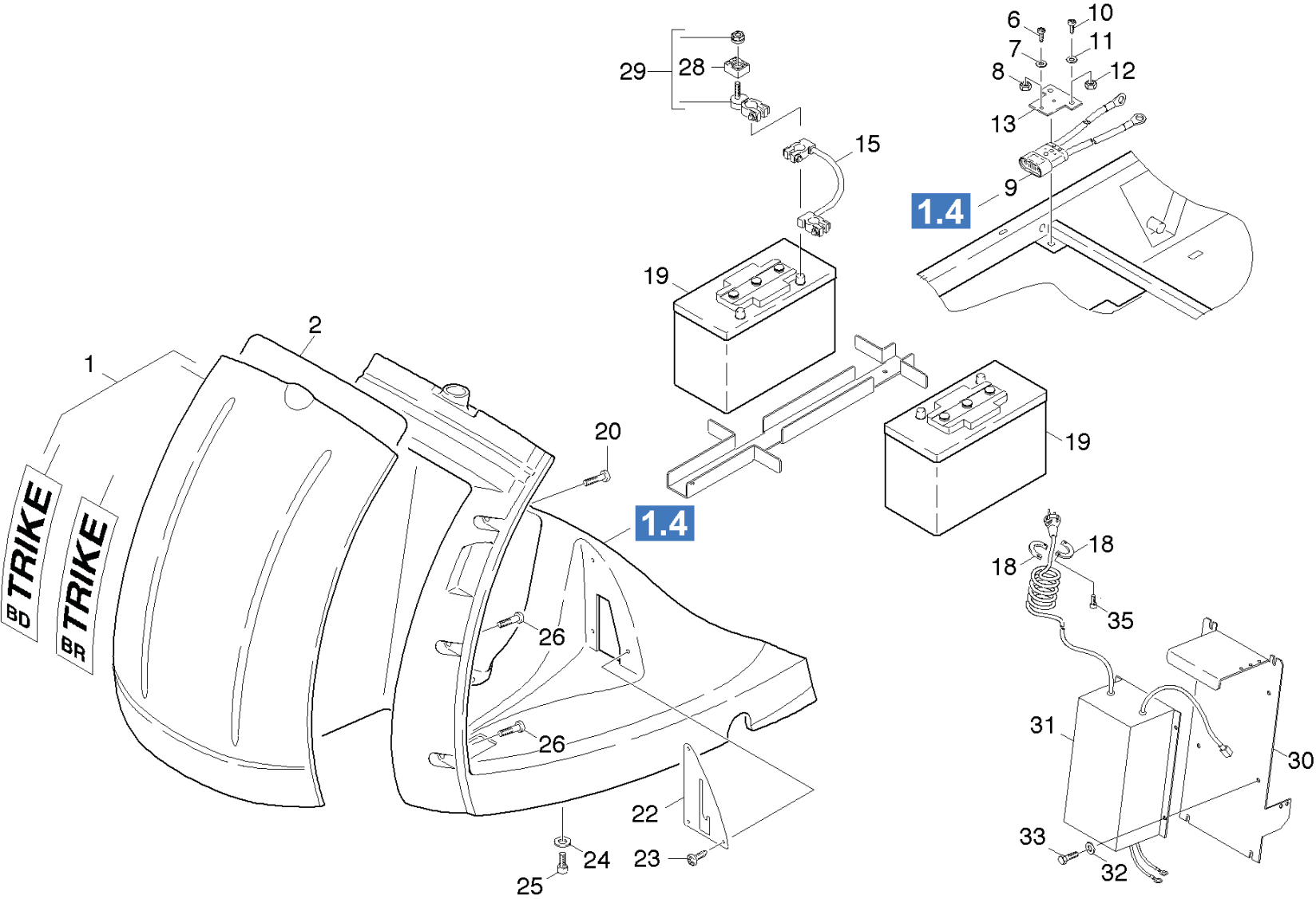


12 Front component (01628160)

ET/VT	pos	Article no.	Description	Quantity	Selling Unit	from ser.nr.	up to ser.nr.	var. information	Fußnotentext
X-	1	40662710	Covering cap complete only for replaceme	1.000	ST	0000000000	0000000000		
	2	62731450	Cord cellular rubber	1.000	ZST				TO ORDER AS CUT GOODS
	6	73060550	Screw M3x20 -8.8-R2R (In6Rd)	2.000	ST	0000000000	0000000000		
	7	73110000	Hexagon nut M3 -8-A2E ISO 4032	2.000	ST	0000000000	0000000000		
	8	73122800	Washer 3 -200HV-A2E ISO7093-1	2.000	ST	0000000000	0000000000		
	9	66482560	Cable	1.000	ST				
Positionstext: //1.161-209/ -210.0									
	10	73061930	Screw M6x16 -A2-70 (In6Rd)	2.000	ST	0000000000	0000000000		
	11	73120260	Washer 6 -A2 ISO 7090	2.000	ST	0000000000	0000000000		
	12	73110670	Hexagon nut M 6-A2-70 ISO 4032	2.000	ST	0000000000	0000000000		
	13	50492840	Sheet metal component	1.000	ST	0000000000	0000000000		
Positionstext: //1.161-209/ -210.0									
	14	66477370	Cable battery	1.000	ST	0000000000	0000000000		
Positionstext: //1.161-103/ -104/ -202/ -203/ -204/-211/ -212.0									
	15	66477380	Cable battery	2.000	ST	0000000000	0000000000		
Positionstext: //1.161-103/ -104/ -202/ -203/ -204/-211/ -212.0									
X-X	16	66482980	Cable black 10,0mm²x300mm	1.000	ST	0000000000	0000000000		
Positionstext: //1.161-209/ -210.0									
	17	50390420	Tub battery BR/BD TRIKE, 750	1.000	ST	0000000000	0000000000		
Positionstext: //1.161-209/ -210.0									
	18	51161120	Washer	2.000	ST	0000000000	0000000000		
X-X	19	66541240	Battery DETA	4.000	ST	0000000000	0000000000	6V/180AH	MAINTENANCE-FREE
Positionstext: //1.161-103/ -104/ -203/ -204.0									
	19	66541300	Battery kit DETA	1.000	ZSA	0000000000	0000000000		
Positionstext: //1.161-211/ -212.0									

12 Front component (01628160)

ET/VT	pos	Article no.	Description	Quantity	Selling Unit	from ser.nr.	up to ser.nr.	var. information	Fußnotentext
	20	73031100	Screw 5x35 -10.9-R2R (In6Rd)	2.000	ST	0000000000	0000000000		
X-X	21	66443480	Nut with flange	1.000	ST				
	22	51310420	Screen 293	1.000	ST	0000000000	0000000000		
	23	73031070	Screw 5x16 -10.9-P2R (K-In6Rd)	3.000	ST	0000000000	0000000000		
X-	24	73120170	Washer 8-A2 ISO 7089	4.000	ST	0000000000	0000000000		
X-	25	73061440	Cylinder head screw M 8x20-A2-70 ISO 47	4.000	ST	0000000000	0000000000		
	26	73031110	Screw 5x50 -10.9-R2R (K-In6Rd)	4.000	ST	0000000000	0000000000		
	27	63682940	Protecting cap black 1/4" PVC	1.000	ST	23530			
Positionstext: //1.161-201/ -202/ -203/ -204/ -209/ -210/ -211.0 / -212.0									
X-X	28	66443330	Fuse 150A	1.000	ST	23530			
Positionstext: //1.161-201/ -202/ -203/ -204/ -209/ -210/ -211.0 / -212.0									
	29	66438830	Pole binder single	1.000	ST	23530			
Positionstext: //1.161-201/ -202/ -203/ -204/ -209/ -210/ -211.0 / -212.0									
	30	50586170	Plate battery charger	1.000	ST	0000000000	0000000000		
Positionstext: //1.161-203/ -204/ -211/ -212.0									
	31	77779990	Stockpiling discontinued	1.000	ST	0000000000	0000000000		
Positionstext: //1.161-203/ -204/ -211/ -212.0									
	32	73120020	Washer 5-200HV-A3E ISO 7090	4.000	ST	0000000000	0000000000		
	33	73030380	Screw M5x12 -St-P2R (In6Rd)	4.000	ST	0000000000	0000000000		
	34	66541800	Battery charger VEX BRBD	1.000	ST			90-240V	
Positionstext: //1.161-201/ -202.0									
X-	34	48393240	Battery charger complete only for replac	1.000	ST	20000			
Positionstext: //1.161-203/ -204/ -211/ -212.0									
	34	77779990	Stockpiling discontinued	1.000	ST		19999		
	35	73031340	Screw 4x8 -10.9-R2R (K-In6Rd)	2.000	ST	0000000000	0000000000		



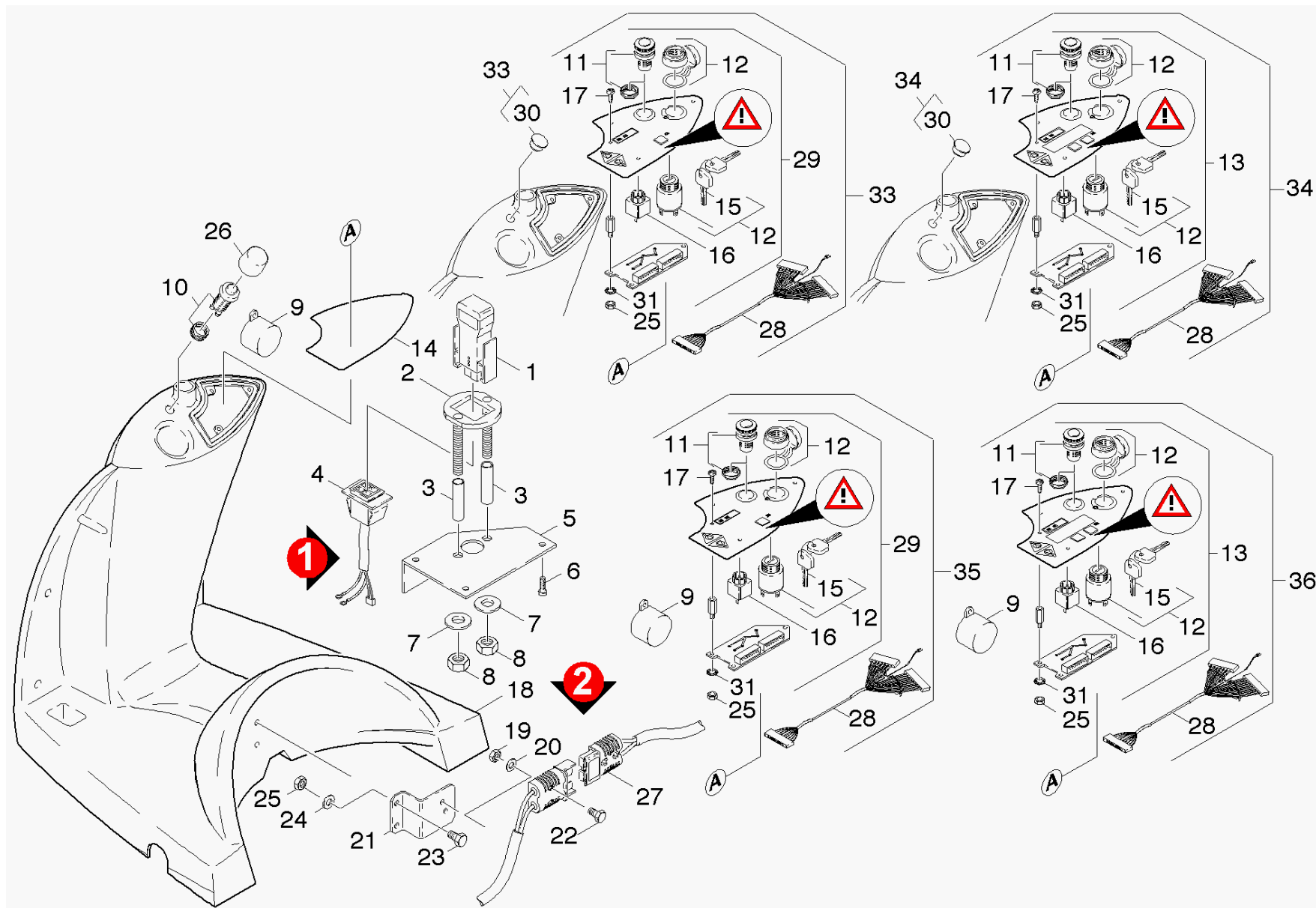
13 Front component (01614890)

ET/VT	pos	Article no.	Description	Quantity	Selling Unit	from ser.nr.	up to ser.nr.	Fußnotentext
X-	1	40662710	Covering cap complete only for replaceme	1.000	ST	0000000000	0000000000	
	2	62731450	Cord cellular rubber	1.000	ZST	0000000000	0000000000	TO ORDER AS CUT GOODS
	6	73060550	Screw M3x20 -8.8-R2R (In6Rd)	2.000	ST	0000000000	0000000000	
	7	73110000	Hexagon nut M3 -8-A2E ISO 4032	2.000	ST	0000000000	0000000000	
	8	73122800	Washer 3 -200HV-A2E ISO7093-1	2.000	ST	0000000000	0000000000	
	9	66482560	Cable	1.000	ST	0000000000	0000000000	
	10	73061930	Screw M6x16 -A2-70 (In6Rd)	2.000	ST	0000000000	0000000000	
	11	73120260	Washer 6 -A2 ISO 7090	2.000	ST	0000000000	0000000000	
	12	73110670	Hexagon nut M 6-A2-70 ISO 4032	2.000	ST	0000000000	0000000000	
	13	50492840	Sheet metal component	1.000	ST	0000000000	0000000000	
X-X	14	66443480	Nut with flange	1.000	ST			
	15	66477380	Cable battery	1.000	ST	0000000000	0000000000	
	18	51161120	Washer	2.000	ST	0000000000	0000000000	
X-	19	66541410	Drive battery maintenance free 12V, 105A	2.000	ST	0000000000	0000000000	MAINTENANCE-FREE
	20	73031100	Screw 5x35 -10.9-R2R (In6Rd)	2.000	ST	0000000000	0000000000	
	22	51310420	Screen 293	1.000	ST	0000000000	0000000000	
	23	73031070	Screw 5x16 -10.9-P2R (K-In6Rd)	3.000	ST	0000000000	0000000000	
X-	24	73120170	Washer 8-A2 ISO 7089	4.000	ST	0000000000	0000000000	
X-	25	73061440	Cylinder head screw M 8x20-A2-70 ISO 47	4.000	ST	0000000000	0000000000	
	26	73031110	Screw 5x50 -10.9-R2R (K-In6Rd)	4.000	ST	0000000000	0000000000	
X-X	28	66443330	Fuse 150A	1.000	ST	0000000000	0000000000	
	29	66438830	Pole binder single	1.000	ST	0000000000	0000000000	
	30	50586170	Plate battery charger	1.000	ST	0000000000	0000000000	
	31	66541770	Battery charger BR 55/60 W Eco 24V	1.000	ST	0000000000	0000000000	

Positionstext: //1.161-110.0

13 Front component (01614890)

ET/VT	pos	Article no.	Description	Quantity	Selling Unit	from ser.nr.	up to ser.nr.	Fußnotentext
	32	73120020	Washer 5-200HV-A3E ISO 7090	4.000	ST	0000000000	0000000000	
	33	73030380	Screw M5x12 -St-P2R (In6Rd)	4.000	ST	0000000000	0000000000	
	35	73031340	Screw 4x8 -10.9-R2R (K-In6Rd)	2.000	ST	0000000000	0000000000	

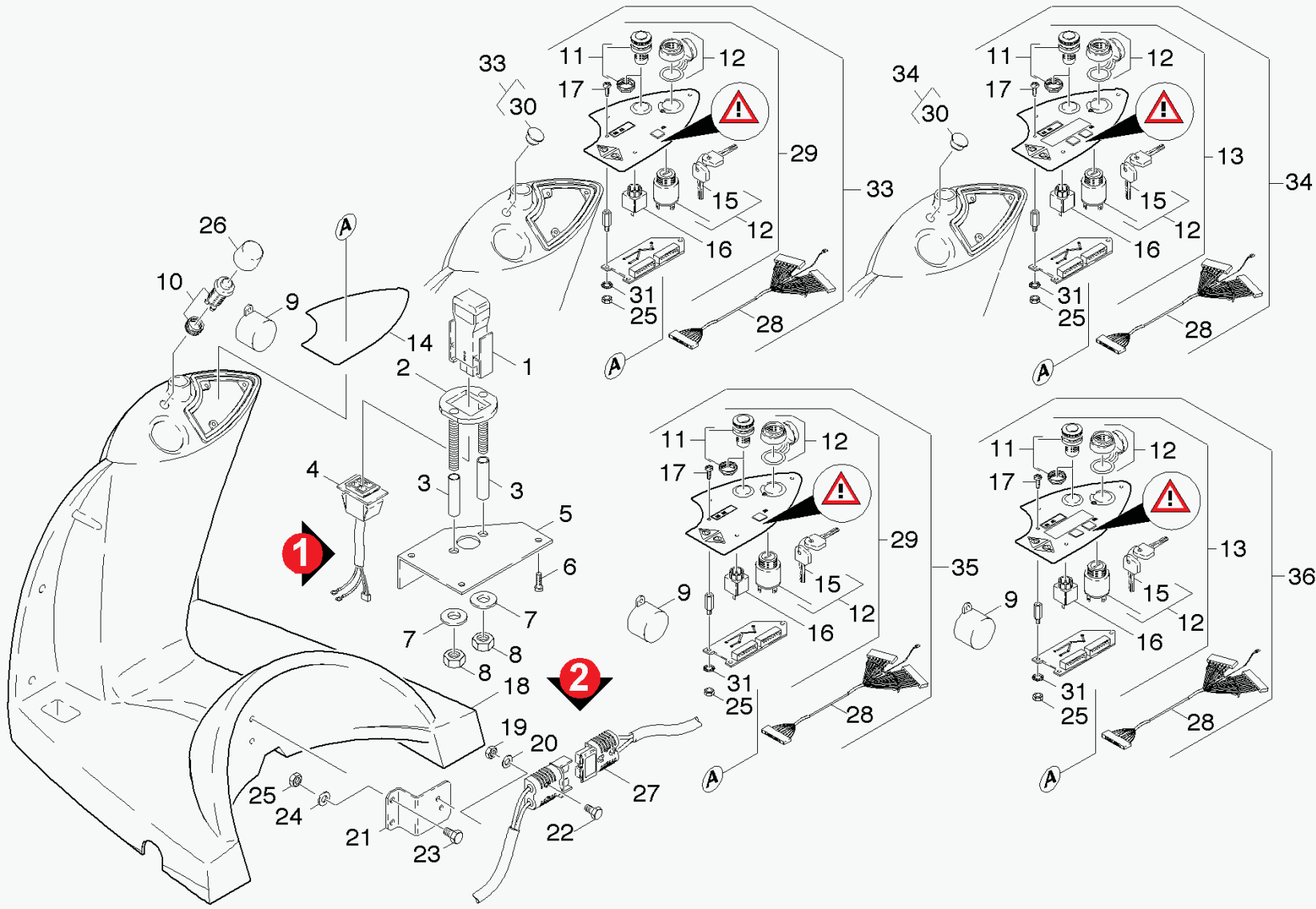


Control console

ET/VT	pos	Article no.	Description	Quantity	Selling Unit	from ser.nr.	up to ser.nr.	var. information	Fußnotentext
	1	48392330	Plug	1	ST	0000000000	0000000000	VERS. 1	
	2	40387610	Sheet metal component	1	ST	0000000000	0000000000	VERS. 1	
X-X	3	51052450	Axle	2	ST	0000000000	0000000000	VERS. 1	
	4	48220830	Plug	1	ST	0000000000	0000000000	VERS. 1	
	5	50486770	Sheet metal component	1	ST	0000000000	0000000000	VERS. 1	
X-X	6	73031040	Screw 5x16 -A2-70 (IN6RD)	3	ST	0000000000	0000000000	VERS. 1	
X-X	7	73120260	Washer 6 -A2 ISO 7090	2	ST	0000000000	0000000000	VERS. 1	
X-X	8	73110670	Hexagon nut M 6-A2-70 ISO 4032	2	ST	0000000000	0000000000	VERS. 1	
X-X	9	66301580	Buzzer	1	ST	0000000000	0000000000		
	10	66342140	Push button	1	ST	0000000000	0000000000		
X-X	11	66001130	Pushbutton emergency stop	1	ST	0000000000	0000000000		
X-X	12	66301060	Key switch	1	ST	0000000000	0000000000		
	13	48411010	Control panel TRIKE BAT PACKAGE	1	ST	0000000000	0000022227		
Positionstext: / 1.161-103.0 / -104.0									
X-X	13	48411280	Control panel	1	ST	0000022228	0000000000		
Positionstext: / 1.161-203.0 / -204.0 / -209.0 / -210.0 / -211.0 / -212.0 / -110.0									
X-	14	62731450	Cord cellular rubber	1	ZST	0000000000	0000000000		TO ORDER AS CUT GOODS
X-X	15	66002100	Key only for replacement	1	ST	0000000000	0000000000		
X-X	16	66001140	Switch	1	ST	0000000000	0000000000		
X-X	17	73031290	Screw 4x16 -10.9-R2R (K-In6Rd)	3	ST	0000000000	0000000000		
	18	50315810	Housing tub leg room	1	ST	0000000000	0000000000		
X-X	19	73110020	Hexagon nut M5 -8-A2E ISO 4032	2	ST	0000000000	0000000000	VERS. 2	
X-X	20	73120020	Washer 5-200HV-A3E ISO 7090	2	ST	0000000000	0000000000	VERS. 2	
	21	50590030	Sheet metal component	1	ST	0000000000	0000000000	VERS. 2	
	22	73060840	Screw M 5x40-ST- 8.8-A2R (IN6RD)	2	ST	0000000000	0000000000	VERS. 2	

Control console

ET/VT	pos	Article no.	Description	Quantity	Selling Unit	from ser.nr.	up to ser.nr.	var. information	Fußnotentext
X-X	23	73060890	Screw M6x12 -8.8-R2R (In6Rd)	2	ST	0000000000	0000000000	VERS. 2	
X-X	24	73120030	Washer 6 -200HV-A3E ISO 7090	2	ST	0000000000	0000000000	VERS. 2	
X-	25	73110000	Hexagon nut M3 -8-A2E ISO 4032	5	ST	0000000000	0000000000	VERS. 2	
	26	63680570	Cap rubber	1	ST	0000000000	0000000000		
X-X	27	66463190	Plug two-pole 80A	1	ST	0000000000	0000000000		
X-X	28	66487290	Adapter cable control panel	1	ST	0000022228	0000023529		
	29	48411020	Control panel TRIKE BAT	1	ST	0000000000	0000022227		
Positionstext: / 1.161-101.0 / -102.0									
	29	48411290	Control panel without display TRIKE	1	ST	0000022228	0000000000		
Positionstext: / 1.161-201.0 / -202.0 / -209.0/ -210.0									
	30	63680990	Cap	1	ST	0000000000	0000000000		
	31	73122340	Serrated lock washer A3,2 -FSt-A3E DIN6	3	ST	0000000000	0000000000		
	33	28825540	Conversion kit control panel	1	ST	0000000000	0000000000		
Positionstext: / 1.161-201.0 / -202.0 / -209.0/ -210.0									
	34	28825530	Conversion kit control panel	1	ST	0000000000	0000000000		
Positionstext: / 1.161-203.0 / -204.0 / -211.0/ -212.0									
	35	28825610	Conversion kit control panel	1	ST	0000000000	0000000000		
Positionstext: / 1.161-201.0 / -202.0 / -209.0/ -210.0									
	36	28825600	Conversion kit control panel	1	ST	0000000000	0000000000		
Positionstext: / 1.161-203.0 / -204.0 / -211.0/ -212.0									

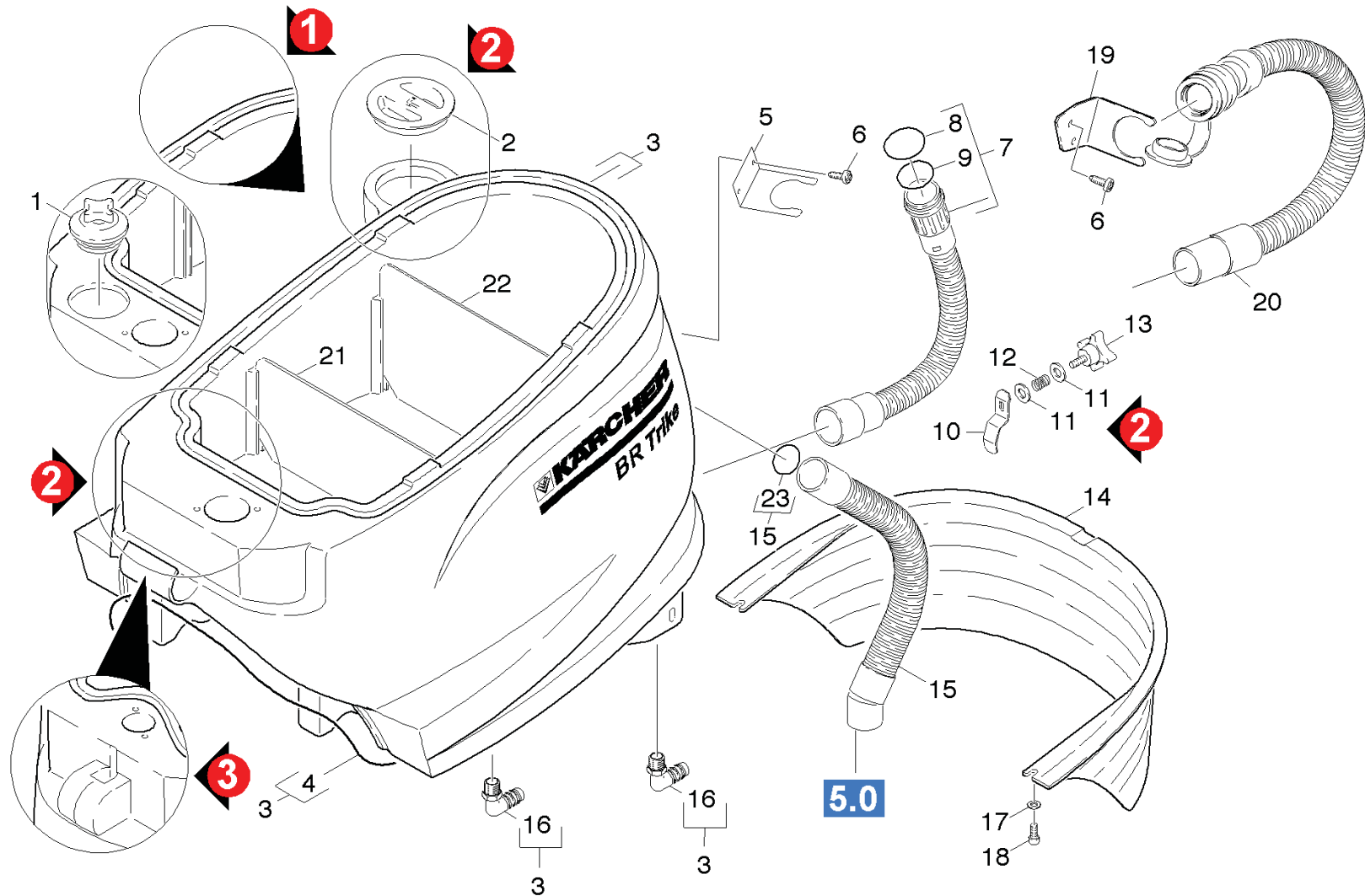


14 Control console (01632340)

ET/VT	pos	Article no.	Description	Quantity	Selling Unit	from ser.nr.	up to ser.nr.	var. information	Fußnotentext
	1	48392330	Plug	1.000	ST	0000000000	0000000000	VERS. 1	
	2	40387610	Sheet metal component	1.000	ST	0000000000	0000000000	VERS. 1	
	3	51052450	Axle	2.000	ST	0000000000	0000000000	VERS. 1	
	4	48220830	Plug	1.000	ST	0000000000	0000000000	VERS. 1	
	5	50486770	Sheet metal component	1.000	ST	0000000000	0000000000	VERS. 1	
X-	6	73031040	Screw 5x16 -A2-70 (IN6RD)	3.000	ST	0000000000	0000000000	VERS. 1	
	7	73120260	Washer 6 -A2 ISO 7090	2.000	ST	0000000000	0000000000	VERS. 1	
	8	73110670	Hexagon nut M 6-A2-70 ISO 4032	2.000	ST	0000000000	0000000000	VERS. 1	
X-X	9	66301580	Buzzer	1.000	ST	0000000000	0000000000		
	10	66342140	Push button	1.000	ST	0000000000	0000000000		
X-X	11	66001130	Pushbutton emergency stop	1.000	ST	0000000000	0000000000		
X-X	12	66301060	Key switch	1.000	ST	0000000000	0000000000		
	13	48411010	Control panel TRIKE BAT PACKAGE	1.000	ST	0000000000	0000022227		
Positionstext: / 1.161-103.0 / -104.0									
	13	48411280	Control panel	1.000	ST	0000022228	0000000000		
Positionstext: / 1.161-203.0 / -204.0 / -209.0 / -210.0 / -211.0 / -212.0 / -110.0									
	14	62731450	Cord cellular rubber	1.000	ZST	0000000000	0000000000		TO ORDER AS CUT GOODS
X-X	15	66002100	Key only for replacement	1.000	ST	0000000000	0000000000		
X-X	16	66001140	Switch	1.000	ST	0000000000	0000000000		
	17	73031290	Screw 4x16 -10.9-R2R (K-In6Rd)	3.000	ST	0000000000	0000000000		
	18	50315810	Housing tub leg room	1.000	ST	0000000000	0000000000		
	19	73110020	Hexagon nut M5 -8-A2E ISO 4032	2.000	ST	0000000000	0000000000	VERS. 2	
	20	73120020	Washer 5-200HV-A3E ISO 7090	2.000	ST	0000000000	0000000000	VERS. 2	
	21	50590030	Sheet metal component	1.000	ST	0000000000	0000000000	VERS. 2	
	22	73060840	Screw M 5x40-ST- 8.8-A2R (IN6RD)	2.000	ST	0000000000	0000000000	VERS. 2	

14 Control console (01632340)

ET/VT	pos	Article no.	Description	Quantity	Selling Unit	from ser.nr.	up to ser.nr.	var. information	Fußnotentext
	23	73060890	Screw M6x12 -8.8-R2R (In6Rd)	2.000	ST	0000000000	0000000000	VERS. 2	
	24	73120030	Washer 6 -200HV-A3E ISO 7090	2.000	ST	0000000000	0000000000	VERS. 2	
	25	73110000	Hexagon nut M3 -8-A2E ISO 4032	5.000	ST	0000000000	0000000000	VERS. 2	
	26	63680570	Cap rubber	1.000	ST	0000000000	0000000000		
X-X	27	66463190	Plug two-pole 80A	1.000	ST	0000000000	0000000000		
	28	66487290	Adapter cable control panel	1.000	ST	0000022228	0000023529		
	29	48411020	Control panel TRIKE BAT	1.000	ST	0000000000	0000022227		
Positionstext: / 1.161-101.0 / -102.0									
	29	48411290	Control panel without display TRIKE	1.000	ST	0000022228	0000000000		
Positionstext: / 1.161-201.0 / -202.0 / -209.0/ -210.0									
	30	63680990	Cap	1.000	ST	0000000000	0000000000		
	31	73122340	Serrated lock washer A3,2 -FSt-A3E DIN6	3.000	ST	0000000000	0000000000		
	33	28825540	Conversion kit control panel	1.000	ST	0000000000	0000000000		
Positionstext: / 1.161-201.0 / -202.0 / -209.0/ -210.0									
	34	28825530	Conversion kit control panel	1.000	ST	0000000000	0000000000		
Positionstext: / 1.161-203.0 / -204.0 / -211.0/ -212.0									
	35	28825610	Conversion kit control panel	1.000	ST	0000000000	0000000000		
Positionstext: / 1.161-201.0 / -202.0 / -209.0/ -210.0									
	36	28825600	Conversion kit control panel	1.000	ST	0000000000	0000000000		
Positionstext: / 1.161-203.0 / -204.0 / -211.0/ -212.0									



20 Water tank (01628170)

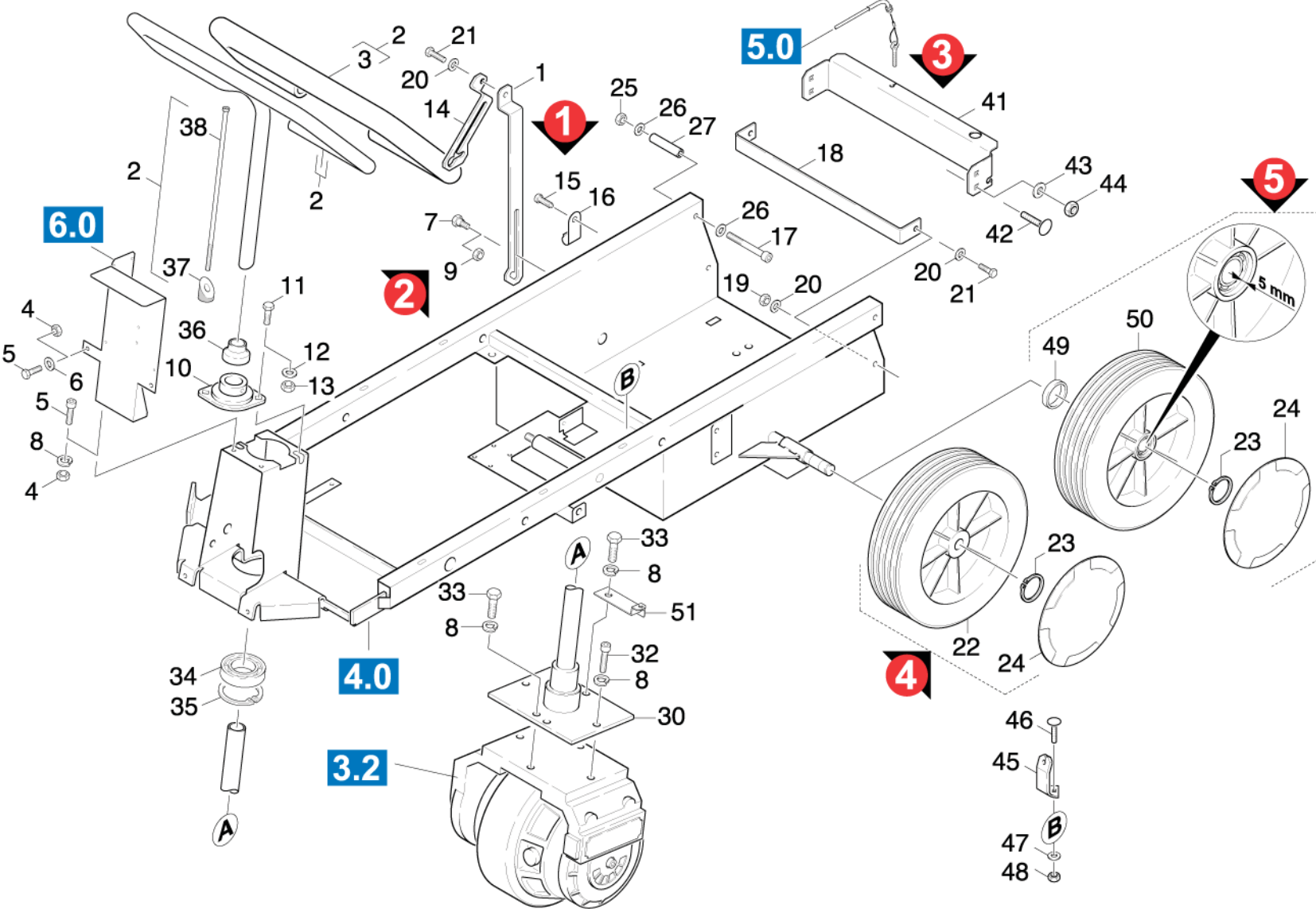
ET/VT	pos	Article no.	Description	Quantity	Selling Unit	from ser.nr.	up to ser.nr.	var. information	Fußnotentext
	1	40636640	Fuel tank filler cap cover	1.000	ST	0000000000	0000000000	VERS 1	
	2	50636500	Cover	1.000	ST	0000000000	0000000000	VERS 2	
	3	40711230	Tank complete only for replacement	1.000	ST	0000020000	0000000000	VERS 3	
	3	40711110	Tank complete only for replacement	1.000	ST	0000000000	0000019999	VERS 1	
	3	40711110	Tank complete only for replacement	1.000	ST	0000000000	0000000000	VERS 2	
	4	62731780	Seal string cellular rubber	2.000	M	0000000000	0000000000		TO ORDER AS CUT GOOD
	5	50482820	Sheet metal component hose clamp	1.000	ST	0000000000	0000000000		
	6	73031070	Screw 5x16 -10.9-P2R (K-In6Rd)	2.000	ST	0000000000	0000000000		
X-X	7	44460160	Drain hose complete BR-BD TRIKE/550/700	1.000	ST	0000000000	0000000000		FOR ASA 80
X-	8	63620900	O-Ring seal 46,0 X 3,0-NBR 70	1.000	ST	0000000000	0000000000		
	9	63621110	O-Ring seal 43,0 X 3,0 -NBR 70	1.000	ST	0000000000	0000000000		
	10	50487070	Sheet metal component	1.000	ST	0000000000	0000000000	VERS 2	
X-	11	73122920	Washer 6 -A2 ISO 7093-1	2.000	ST	0000000000	0000000000	VERS 2	
	12	53322900	Helical spring	1.000	ST	0000000000	0000000000	VERS 2	
X-X	13	63210690	Handhold M6x20	1.000	ST	0000000000	0000000000	VERS 2	
	14	50670340	Covering cap	1.000	ST	0000000000	0000000000	VERS 1 *EUR	
	14	50670340	Covering cap	1.000	ST	0000000000	0000000000	VERS 2 *EUR/*USA	
X-X	15	43900050	Suction hose complete	1.000	ST	0000000000	0000000000		STANDARD
	15	43900060	Suction hose complete oil resistant	1.000	ST	0000000000	0000000000		OIL RESISTANT
	16	54434810	Angle bushing	2.000	ST	0000000000	0000000000		
	17	73122600	Washer 6 -100HV-A3E ISO 7094	2.000	ST	0000000000	0000000000		
	18	73061940	Screw M6x20 -A2-70 (In6Rd)	2.000	ST	0000000000	0000000000		
	19	50595410	Hose holder left	1.000	ST	0000000000	0000000000		
X-X	20	63906090	Drain hose DN38 BR/BD 750/TRIKE	1.000	ST	0000000000	0000000000		STANDARD
X-X	20	63907340	Drain hose DN38	1.000	ST	0000000000	0000000000		OIL RESISTANT

20 Water tank (01628170)

ET/VT	pos	Article no.	Description	Quantity	Selling Unit	from ser.nr.	up to ser.nr.	var. information	Fußnotentext
	21	50070000	Plate	1.000	ST	0000000000	0000019999		
	21	50073070	Plate	1.000	ST	0000020000	0000000000		
	22	50073060	Plate	1.000	ST	0000000000	0000019999		
	22	50073080	Plate	1.000	ST	0000020000	0000000000		
X-	23	63620900	O-Ring seal 46,0 X 3,0-NBR 70	1.000	ST				

30 Carriage (01634550)

pos	Article no.	Description	from ser.nr.	up to ser.nr.
31	01628180	Carriage	0000000000	0000000000
32	01634540	Wheel drive motor	0000000000	0000000000



31 Carriage (01628180)

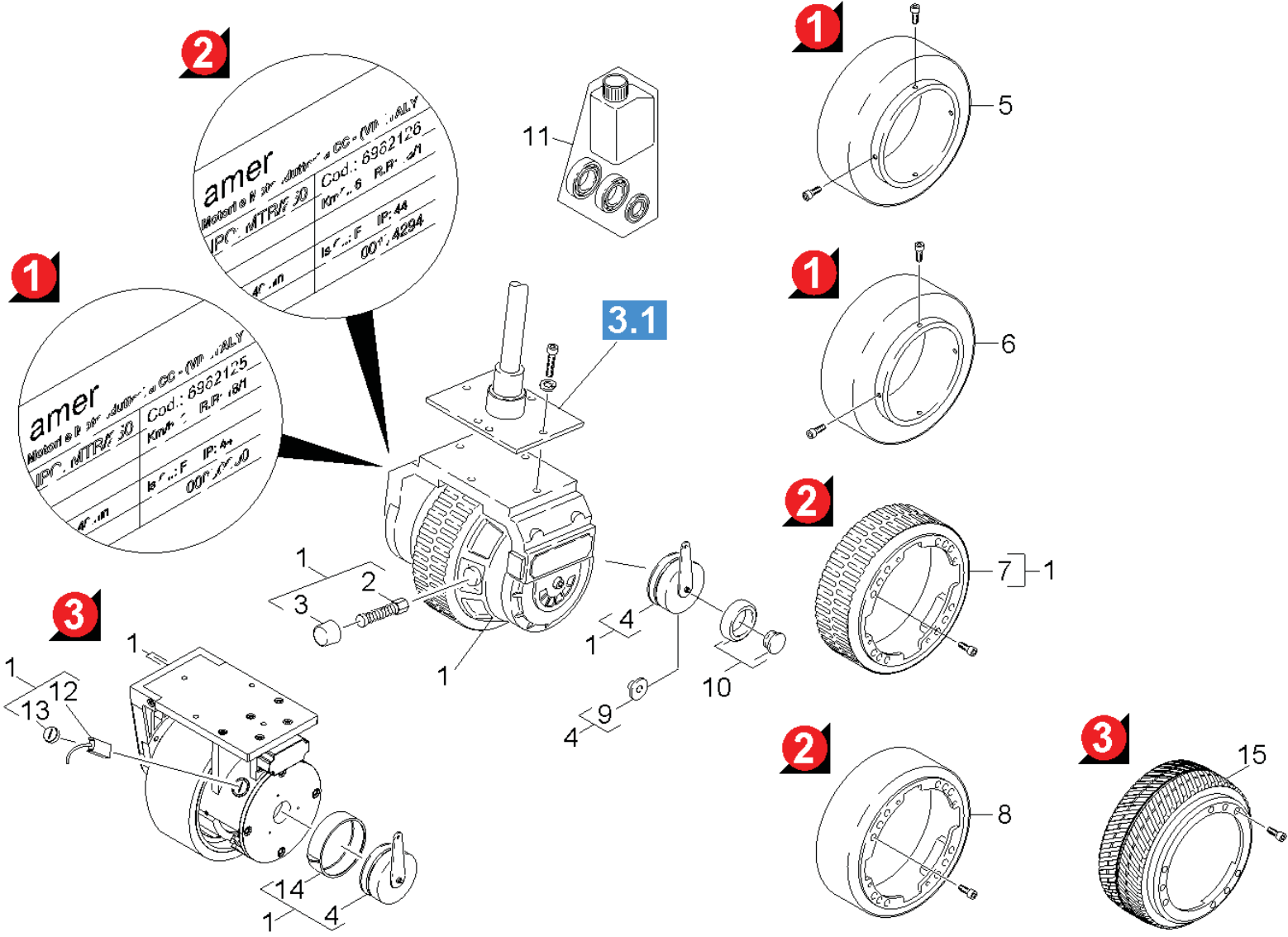
ET/VT	pos	Article no.	Description	Quantity	Selling Unit	from ser.nr.	up to ser.nr.	var. information	Fußnotentext
	1	50496200	Sheet metal component	1.000	ST	0000020000	0000000000	VERS 2	
	1	50487080	Sheet metal component	1.000	ST	0000000000	0000019999	VERS 2	
	2	40341030	Retaining bracket complete	1.000	ST	0000000000	0000000000		
	3	63902690	Hose	1.000	M				TO ORDER AS CUT GOOD
	4	73110670	Hexagon nut M 6-A2-70 ISO 4032	4.000	ST	0000000000	0000000000		
X-X	5	73045360	Hexagonal head screw M 6x20-A4-70 ISO 4	6.000	ST	0000000000	0000000000		
	6	73120260	Washer 6 -A2 ISO 7090	4.000	ST	0000000000	0000000000		
	7	53169260	Bolt	1.000	ST	0000000000	0000000000	VERS 2	
	8	73130300	Spring washer A10-FST DIN 128	6.000	ST	0000000000	0000000000		
	9	73110170	Hexagon nut M16-LH-04-A2E ISO 10511	1.000	ST	0000000000	0000000000	VERS 2	
	10	64013060	Flanged bearing	1.000	ST	0000000000	0000000000		
	11	73048010	Hexagonal head screw M10x25-A4-70 ISO 4	2.000	ST	0000000000	0000000000		
	12	73120660	Washer 10 -A2 ISO 7090	2.000	ST	0000000000	0000000000		
	13	73110660	Hexagon nut M10-A2-70 ISO 4032	2.000	ST	0000000000	0000000000		
	14	50496210	Sheet metal component	1.000	ST	0000000000	0000023530		
Positionstext: / 1.161-209.0 / -210.0									
	14	50492850	Sheet metal component	1.000	ST	0000000000	0000019999	* USA	
Positionstext: / 1.161-209.0 / -210.0									
X-X	15	73050520	Countersunk screw M6x12 -A2-70 (In6Rd)	1.000	ST	0000000000	0000000000		
	16	77779990	Stockpiling discontinued	1.000	ST	0000000000	0000000000	VERS 1	
	17	73031680	Saucer-head screw M8x80-A2 DIN 603	2.000	ST	0000000000	0000000000		
	18	50441760	Holder	1.000	ST	0000000000	0000019999		
	19	73110680	Hexagon nut M 8-A2-70 ISO 4032	2.000	ST	0000000000	0000019999		
X-	20	73120170	Washer 8-A2 ISO 7089	5.000	ST	0000000000	0000019999		
X-	21	73045160	Hexagonal head screw M8x20-A4-70 ISO 40	2.000	ST	0000000000	0000019999		

31 Carriage (01628180)

ET/VT	pos	Article no.	Description	Quantity	Selling Unit	from ser.nr.	up to ser.nr.	var. information	Fußnotentext
X-X	22	64353500	Wheel	2.000	ST	0000000000	0000000000	VERS 4	
X-	23	73430400	Locking ring 20x1,2 -St-ph DIN 471	2.000	ST	0000000000	0000000000		
X-X	24	53920250	Wheel cab	2.000	ST	0000000000	0000000000		
	25	73114270	Hexagon nut M8 -04-A2E ISO 10511	2.000	ST	0000000000	0000000000		
X-X	26	73122890	Washer 8 -A2 ISO 7093-1	4.000	ST	0000000000	0000000000		
	27	53168800	Bolt	2.000	ST	0000000000	0000000000		
	28	73045380	Hexagonal head screw M8x16-A4-70 ISO 40	3.000	ST	0000000000	0000000000		
	30	40428760	Holder complete steering	1.000	ST	0000000000	0000000000		
	32	73060630	Cylinder head screw M10x30-8.8-A3E ISO4	2.000	ST	0000000000	0000000000		
	33	73045280	Hexagonal head screw M10x20-A4-70 ISO 4	2.000	ST	0000000000	0000000000		
	34	74011630	Ball bearing 6009-2RS-WAELZLAGST DIN 625	1.000	ST	0000000000	0000000000		
	35	73431170	Locking ring 75X2,5-FSt-Phr DIN 472	1.000	ST	0000000000	0000000000		
X-	36	50670350	Covering cap Blanko	1.000	ST	0000000000	0000000000		
	37	51107450	Sleeve	1.000	ST	0000000000	0000000000		
	38	53090980	Threaded rod	1.000	ST	0000000000	0000000000		
	41	50444000	Holder	1.000	ST	0000020000	0000000000		
	42	73031930	Saucer-head screw M 8x16-4.6-A0P DIN 60	4.000	ST	0000020000	0000000000		
	43	73120040	Washer 8 -200HV-A3E ISO 7090	4.000	ST	0000020000	0000000000		
	44	73110040	Hexagon nut M8 -8-A3E ISO 4032	4.000	ST	0000020000	0000000000		
	45	50495240	Sheet metal component	1.000	ST	0000020000	0000000000		
X-X	46	73031390	Saucer-head screw M6x20 -A2 DIN 603	1.000	ST	0000020000	0000000000		
	47	73120030	Washer 6 -200HV-A3E ISO 7090	1.000	ST	0000020000	0000000000		
	48	73110030	Hexagon nut M6 -8-A2E ISO 4032	1.000	ST	0000020000	0000000000		
	49	51105740	Sleeve 4,8MM	2.000	ST	0000000000	0000000000	VERS 5	
X-X	50	55151760	Wheel	2.000	ST	0000000000	0000000000	VERS 5	

31 Carriage (01628180)

ET/VT	pos	Article no.	Description	Quantity	Selling Unit	from ser.nr.	up to ser.nr.	var. information	Fußnotentext
	51	50586700	Holder cable Antriebsrad	1.000	ST	0000000000	0000000000		

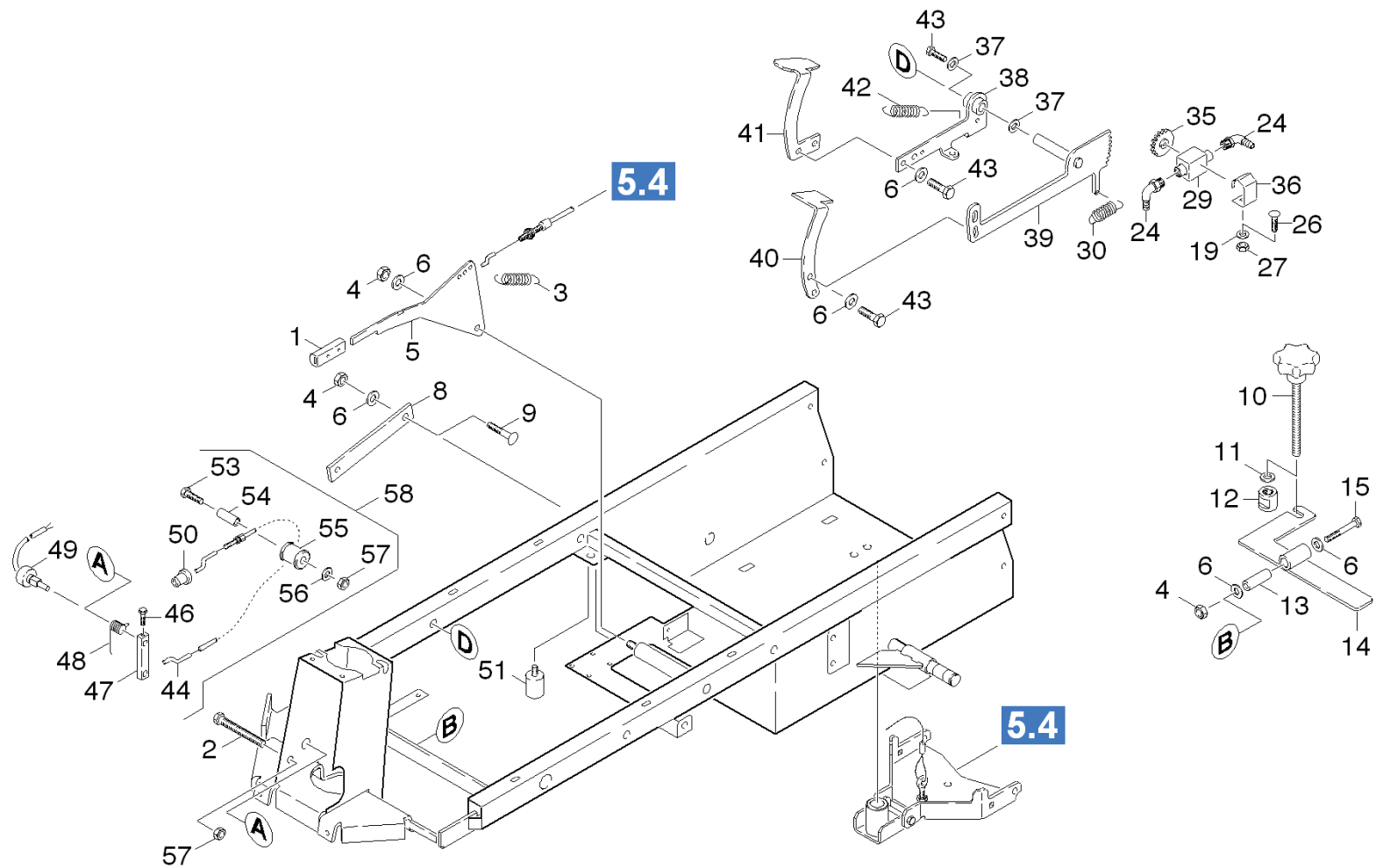


32 Wheel drive motor (01634540)

ET/VT	pos	Article no.	Description	Quantity	Selling Unit	from ser.nr.	up to ser.nr.	Fußnotentext
	1	66130590	Wheel drive motor	1.000	ST	0000000000	0000000000	VERSION 1+2
	1	66132060	Wheel drive motor 600W	1.000	ST			VERSION 3
X-X	2	66102110	Carbon brush set	1.000	ST	0000000000	0000000000	VERSION 2
	2	66100910	CARBON BRUSH SET	1.000	ZSA	0000000000	0000000000	VERSION 1
X-	3	69619010	Cap with bayonet	4.000	ST			VERSION 1+2
X-X	4	44670020	Brake adjustable complete	1.000	ST			
	5	64353860	Tire only for replacement Trike	1.000	ST	0000000000	0000000000	VERSION 1
	6	64354030	Tire Trike	1.000	ST	0000000000	0000000000	OIL RESISTANT
X-X	7	64354020	Tire Trike	1.000	ST	0000000000	0000000000	VERSION 2
X-	8	64354170	Tire Trike	1.000	ST	0000000000	0000000000	OIL RESISTANT
	9	63943910	Coupler brake BR/BD TRIKE	1.000	ST	0000000000	0000000000	
X-X	10	64670390	Retrofit kit brake	1.000	ST	0000000000	0000000000	
	11	46410450	Spare part set bearing	1.000	ST			
X-	12	66132310	Carbon brush set	1.000	ST			VERSION 3
	13	69619240	Cover closure	1.000	ST			VERSION 3
	14	69619250	Dust protection brake	1.000	ST			VERSION 3
	15	64358540	Wheel drive wheel motor	1.000	ST			VERSION 3

40 Operating element (01632350)

pos	Article no.	Description	from ser.nr.	up to ser.nr.
41	01628190	Operating elements	0000000000	0000019999
42	01639440	Operating element	0000020000	0000000000
43	01632360	Operating element	0000000000	0000000000



41 Operating elements (01628190)

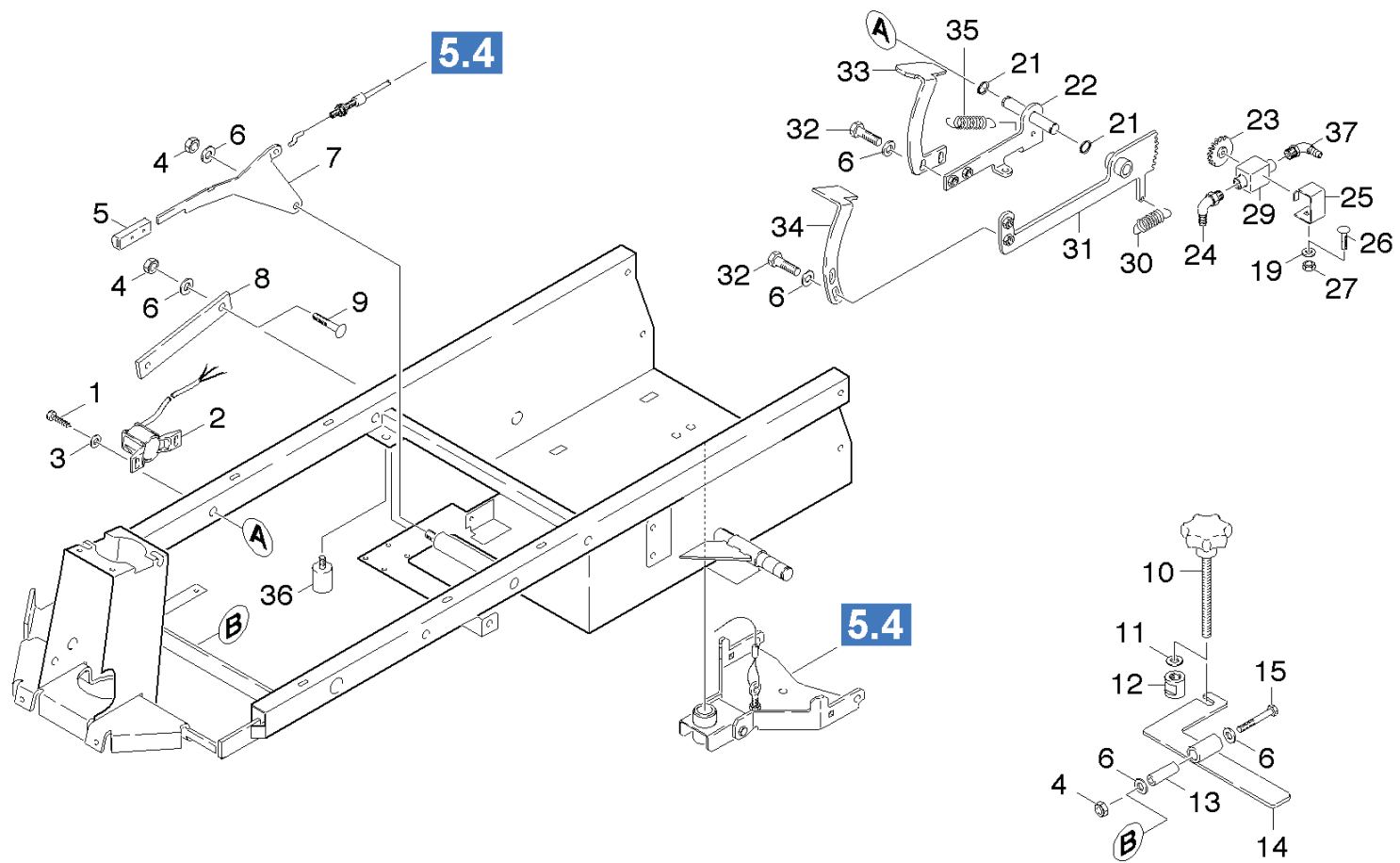
ET/VT	pos	Article no.	Description	Quantity	Selling Unit	from ser.nr.	up to ser.nr.
	1	53214570	Handhold	1.000	ST	0000000000	0000000000
	2	73061840	Screw M5x30 -A2-70 (In6Rd)	1.000	ST	0000000000	0000000000
	3	63300930	Extension spring	1.000	ST	0000000000	0000000000
	4	73110680	Hexagon nut M 8-A2-70 ISO 4032	3.000	ST	0000000000	0000000000
	5	54812430	Lever suction bar pedal 286	1.000	ST	0000000000	0000000000
X-	6	73120170	Washer 8-A2 ISO 7089	8.000	ST	0000000000	0000000000
	8	77779990	Stockpiling discontinued	1.000	ST	0000000000	0000000000
Positionstext: / 1.161-101.0 / -103.0 / -201.0/ -203.0 / -209.0							
	9	73030090	Saucer-head screw M8x50-8.8-A2E DIN 603	1.000	ST	0000000000	0000000000
	10	63210960	Star grip M10X129	1.000	ST	0000000000	0000000000
	11	73121580	Washer 11-A2-50 DIN 1441	1.000	ST	0000000000	0000000000
X-	12	53101280	Nut	1.000	ST	0000000000	0000000000
	13	51107650	Sleeve	1.000	ST	0000000000	0000000000
	14	44811460	Lever complete	1.000	ST	0000000000	0000000000
	15	73042640	Hexagonal head screw M 8x70-A4-70 ISO 4	1.000	ST	0000000000	0000000000
	19	73120260	Washer 6 -A2 ISO 7090	1.000	ST	0000000000	0000000000
	24	63898990	Angle bushing	2.000	ST	0000000000	0000000000
	26	73031870	Saucer-head screw M6x16-A2 DIN 603	1.000	ST	0000000000	0000000000
	27	73110670	Hexagon nut M 6-A2-70 ISO 4032	1.000	ST	0000000000	0000000000
X-	29	64130990	Ball valve	1.000	ST	0000000000	0000000000
	30	63300150	Extension spring	1.000	ST	0000000000	0000000000
	35	40387260	Sheet metal component	1.000	ST	0000000000	0000000000
	36	50441890	Holder tap BRTRIKE	1.000	ST	0000000000	0000000000
	37	73120570	Washer 16 -A2 ISO 7090	3.000	ST	0000000000	0000000000
	38	44811370	Lever complete 294	1.000	ST	0000000000	0000000000

41 Operating elements (01628190)

ET/VT	pos	Article no.	Description	Quantity	Selling Unit	from ser.nr.	up to ser.nr.
	39	44811360	Lever complete	1.000	ST	0000000000	0000000000
	40	77779990	Stockpiling discontinued	1.000	ST	0000000000	0000000000
	41	77779990	Stockpiling discontinued	1.000	ST	0000000000	0000000000
	42	63301420	Extension spring	1.000	ST	0000000000	0000000000
	43	73045380	Hexagonal head screw M8x16-A4-70 ISO 40	5.000	ST	0000000000	0000000000
	44	41720200	ROPE	1.000	ST	0000000000	0000000000
	46	73060550	Screw M3x20 -8.8-R2R (In6Rd)	1.000	ST	0000000000	0000000000
	47	54812540	Lever BR TRIKE	1.000	ST	0000000000	0000000000
	48	53350350	Spiral spring	1.000	ST	0000000000	0000000000
	49	66520310	Potentiometer BR/BD TRIKE	1.000	ST	0000000000	0000000000
	50	63736950	Holder bowden wire BR/BDTRIKE	1.000	ST	0000000000	0000000000
	51	63391080	Rubber buffer	1.000	ST	0000000000	0000000000
	53	73061850	Screw M5x 35-A2-70 (IN6RD)	1.000	ST	0000000000	0000000000
	54	51108740	Sleeve only for replacement	1.000	ST	0000000000	0000000000
	55	51126520	Bush only for replacement	1.000	ST	0000000000	0000000000
	56	73120020	Washer 5-200HV-A3E ISO 7090	1.000	ST	0000000000	0000000000
	57	73110020	Hexagon nut M5 -8-A2E ISO 4032	2.000	ST	0000000000	0000000000
	58	28824930	Conversion kit tackle potentiometer	1.000	ST	0000000000	0000000000

58 Conversion kit tackle potentiometer (28824930)

pos	Article no.	Description	Quantity	Selling Unit
10	41720200	ROPE	1.000	ST
20	51108740	Sleeve only for replacement	1.000	ST
30	51126520	Bush only for replacement	1.000	ST
40	53350350	Spiral spring	1.000	ST

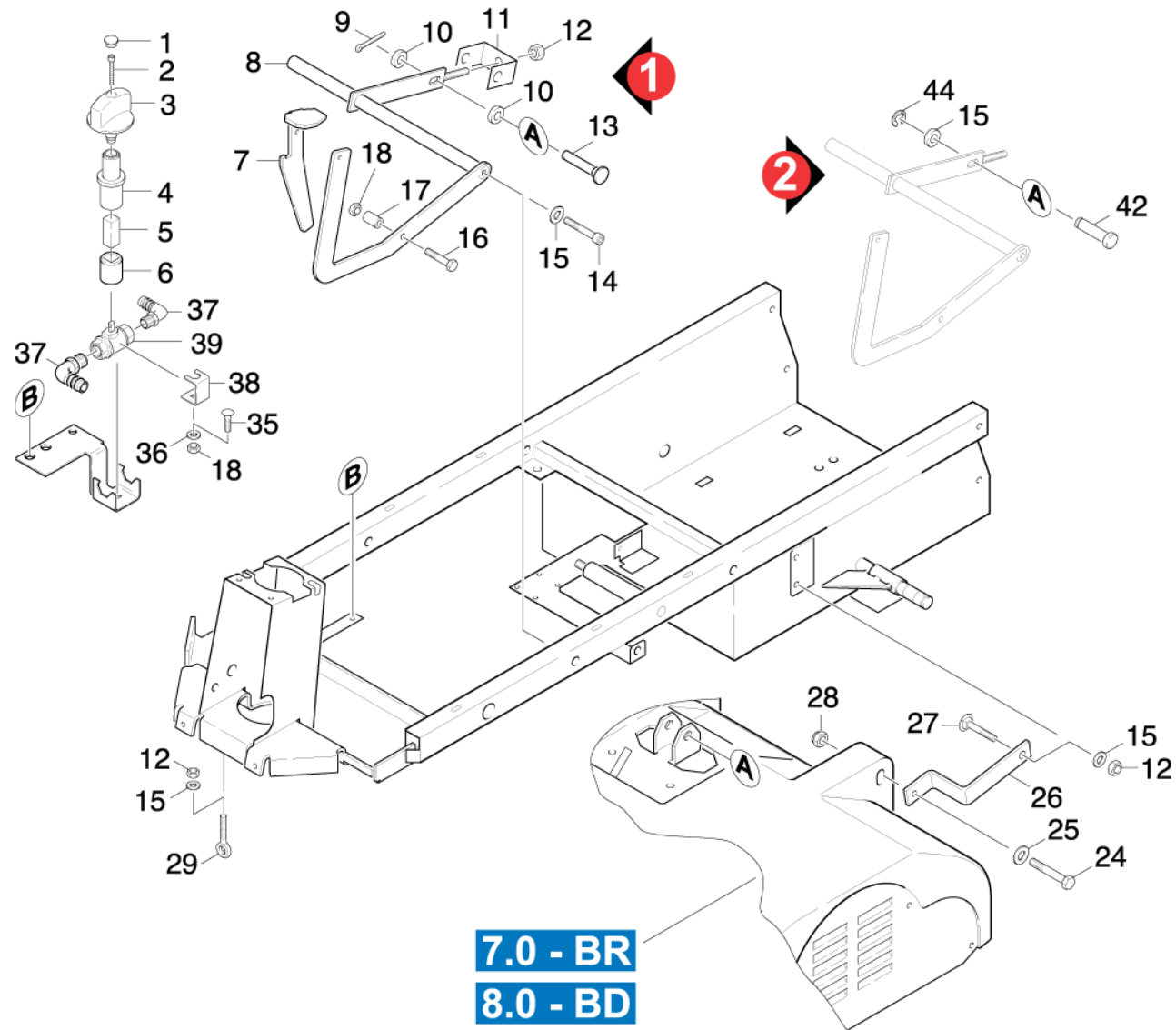


42 Operating element (01639440)

ET/VT	pos	Article no.	Description	Quantity	Selling Unit	from ser.nr.	up to ser.nr.
	1	63031830	Self-drilling screw ST4,8X16-K-ST-A2E D	2.000	ST	0000000000	0000000000
X-	2	66002170	Tachograph -BR/BD TRIKE	1.000	ST	0000000000	0000000000
	3	73120030	Washer 6 -200HV-A3E ISO 7090	2.000	ST	0000000000	0000000000
	4	73110680	Hexagon nut M 8-A2-70 ISO 4032	3.000	ST	0000000000	0000000000
	5	53214570	Handhold	1.000	ST	0000000000	0000000000
X-	6	73120170	Washer 8-A2 ISO 7089	8.000	ST	0000000000	0000000000
	7	54813010	Lever	1.000	ST	0000000000	0000000000
	8	77779990	Stockpiling discontinued	1.000	ST	0000000000	0000000000
Positionstext: / 1.161-101.0 / -103.0 / -201.0/ -203.0 / -209.0							
	9	73030090	Saucer-head screw M8x50-8.8-A2E DIN 603	1.000	ST	0000000000	0000000000
	10	63210960	Star grip M10X129	1.000	ST	0000000000	0000000000
	11	73121580	Washer 11-A2-50 DIN 1441	3.000	ST	0000000000	0000000000
X-	12	53101280	Nut	1.000	ST	0000000000	0000000000
	13	51107650	Sleeve	1.000	ST	0000000000	0000000000
	14	44811460	Lever complete	1.000	ST	0000000000	0000000000
	15	73042640	Hexagonal head screw M 8x70-A4-70 ISO 4	1.000	ST	0000000000	0000000000
	19	73120260	Washer 6 -A2 ISO 7090	1.000	ST	0000000000	0000000000
	21	73430050	Locking ring 16x1-FST-PHR DIN 471	2.000	ST	0000000000	0000000000
	22	44811670	Lever complete	1.000	ST	0000000000	0000000000
	23	40389300	Sheet metal component toothing ball valv	1.000	ST	0000000000	0000000000
	24	63898990	Angle bushing	1.000	ST	0000000000	0000000000
	25	50444360	Holder BRTRIKE	1.000	ST	0000000000	0000000000
	26	73031870	Saucer-head screw M6x16-A2 DIN 603	1.000	ST	0000000000	0000000000
	27	73110670	Hexagon nut M 6-A2-70 ISO 4032	1.000	ST	0000000000	0000000000
	29	64133780	Stop cock R 1/2 zoll	1.000	ST	0000000000	0000000000

42 Operating element (01639440)

ET/VT	pos	Article no.	Description	Quantity	Selling Unit	from ser.nr.	up to ser.nr.
	30	63300150	Extension spring	1.000	ST	0000000000	0000000000
	31	44811660	Lever complete	1.000	ST	0000000000	0000000000
	32	73045380	Hexagonal head screw M8x16-A4-70 ISO 40	4.000	ST	0000000000	0000000000
	33	54813090	Lever	1.000	ST	0000000000	0000000000
	34	54813080	Lever	1.000	ST	0000000000	0000000000
	35	63301420	Extension spring	1.000	ST	0000000000	0000000000
	36	63391080	Rubber buffer	1.000	ST	0000000000	0000000000
	37	54434810	Angle bushing	1.000	ST	0000000000	0000000000



43 Operating element (01632360)

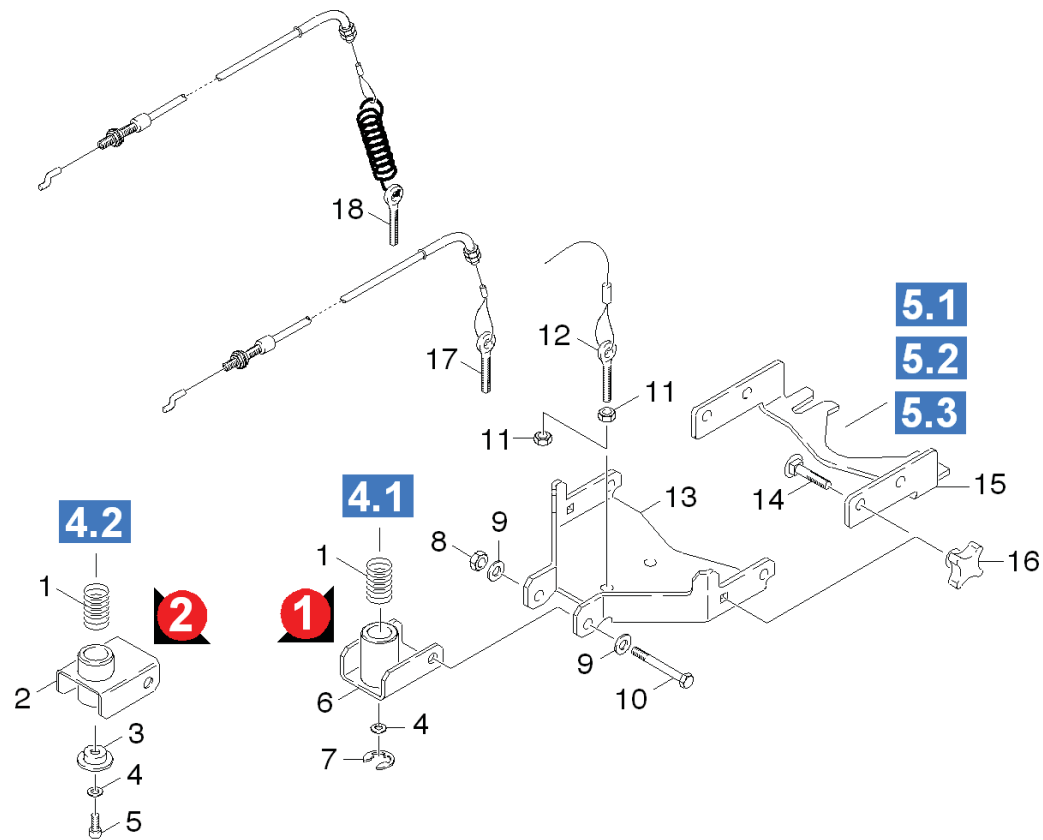
ET/VT	pos	Article no.	Description	Quantity	Selling Unit	from ser.nr.	up to ser.nr.
	1	63680760	Ornamental hub cap D10/D12	1.000	ST	0000000000	0000000000
	2	73030650	Sheet metal screw ST3,5X25-ST-A2R (IN6R	1.000	ST	0000000000	0000000000
	3	53215090	Handhold	1.000	ST	0000000000	0000000000
	4	54700340	Coupler	1.000	ST	0000000000	0000000000
X-	5	51108230	Spacer	1.000	ST	0000000000	0000000000
	6	54700330	Coupler	1.000	ST	0000000000	0000000000
	7	44811490	Lever complete	1.000	ST	0000000000	0000000000
	8	44811400	Lever complete 278	1.000	ST	0000000000	0000000000
Positionstext: / 1.161-101.0 / -103.0 / -201.0/ -203.0 / -209.0 / -211.0							
	8	44811450	Lever complete	1.000	ST	0000000000	0000000000
Positionstext: / 1.161-102.0 / -104.0 / -202.0/ -204.0 / -210.0 / -212.0							
X-X	9	73163420	Cotter 3,2x20 -St-A2E ISO 1234	1.000	ST	0000000000	0000000000
Positionstext: / 1.161-201.0 / -203.0 / -209.0/ -211.0							
	10	73121580	Washer 11-A2-50 DIN 1441	3.000	ST	0000000000	0000000000
	11	50484990	Sheet metal component	1.000	ST	0000000000	0000000000
	12	73110680	Hexagon nut M 8-A2-70 ISO 4032	8.000	ST	0000000000	0000000000
	13	73162230	Bolt B10,0X 28-ST-A2E ISO 2341	1.000	ST	0000000000	0000000000
Positionstext: / 1.161-102.0 / -104.0 / -202.0/ -204.0 / -210.0 / -212.0							
X-	14	73061440	Cylinder head screw M 8x20-A2-70 ISO 47	1.000	ST	0000000000	0000000000
X-	15	73120170	Washer 8-A2 ISO 7089	6.000	ST	0000000000	0000000000
	16	73060340	Screw M6x55-A2-70 DIN 7984	1.000	ST	0000000000	0000000000
	17	51107660	Sleeve	1.000	ST	0000000000	0000000000
	18	73110670	Hexagon nut M 6-A2-70 ISO 4032	1.000	ST	0000000000	0000000000
X-	24	73042490	Hexagonal head screw M10x80-A2-70 ISO 4	1.000	ST	0000000000	0000000000
	25	73120660	Washer 10 -A2 ISO 7090	2.000	ST	0000000000	0000000000

43 Operating element (01632360)

ET/VT	pos	Article no.	Description	Quantity	Selling Unit	from ser.nr.	up to ser.nr.
	26	54812470	Lever 274	1.000	ST	0000000000	0000000000
Positionstext: / 1.161-101.0 / -103.0 / -201.0/ -203.0 / -209.0 / -211.0							
	27	73030090	Saucer-head screw M8x50-8.8-A2E DIN 603	1.000	ST	0000000000	0000000000
X-	28	73114410	Hexagon nut M10-1.4305 ISO 10511	2.000	ST	0000000000	0000000000
	29	73032620	Eye screw LBM 8x30-1.4571 DIN 444	1.000	ST	0000000000	0000000000
	35	73031870	Saucer-head screw M6x16-A2 DIN 603	1.000	ST	0000000000	0000000000
	36	73120260	Washer 6 -A2 ISO 7090	1.000	ST	0000000000	0000000000
	37	54434810	Angle bushing	2.000	ST	0000000000	0000000000
	38	50443330	Holder	1.000	ST	0000000000	0000000000
X-	39	64130990	Ball valve	1.000	ST	0000000000	0000000000
	42	53167850	Bolt	1.000	ST	0000000000	0000000000
Positionstext: / 1.161-202.0 / -204.0 / -210.0							
	44	73432040	Lock washer 6 -CuSn8 DIN 6799	1.000	ST	0000000000	0000000000
Positionstext: / 1.161-202.0 / -204.0 / -210.0							

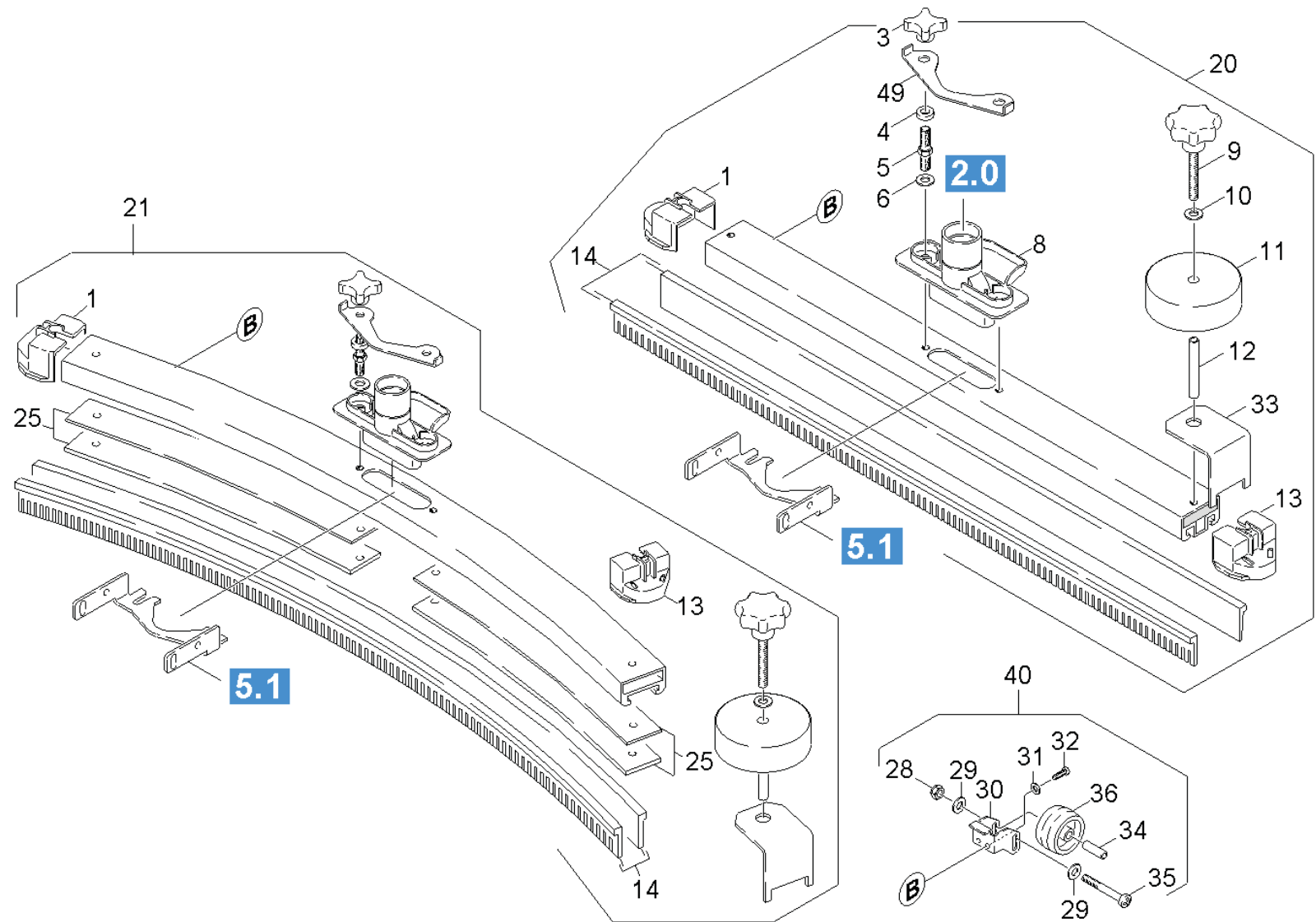
50 Suction bar (01628200)

pos	Article no.	Description	from ser.nr.	up to ser.nr.	Fußnotentext
51	01628210	Bracket suction bar	0000000000	0000000000	
52	01631240	Suction bar	0000000000	0000000000	VERSION 1
53	01635600	Suction bar	0000000000	0000000000	VERSION 2
54	01648310	Suction bar			VERSION 3
55	01102360	Suction bar			VERSION 4



51 Bracket suction bar (01628210)

ET/VT	pos	Article no.	Description	Quantity	Selling Unit	from ser.nr.	up to ser.nr.
	1	53322060	Helical spring	1.000	ST	0000000000	0000000000
	2	40581000	Carrier suction bar	1.000	ST	0000000000	0000000000
	3	51108680	Sleeve	1.000	ST	0000000000	0000000000
	4	73120260	Washer 6 -A2 ISO 7090	1.000	ST	0000000000	0000000000
X-X	5	73060310	Screw M 6x16-A2-70 DIN 7984	1.000	ST	0000000000	0000000000
	6	40580880	Carrier suction bar	1.000	ST	0000000000	0000000000
	7	73432060	Lock washer 12-2.1030 DIN 6799	1.000	ST	0000000000	0000000000
	8	73114270	Hexagon nut M8 -04-A2E ISO 10511	1.000	ST	0000000000	0000000000
	9	73120040	Washer 8 -200HV-A3E ISO 7090	4.000	ST	0000000000	0000000000
	10	73061510	Cylinder head screw M8x65 -8.8-A2E ISO4	1.000	ST	0000000000	0000000000
	11	73110680	Hexagon nut M 8-A2-70 ISO 4032	2.000	ST	0000000000	0000000000
	12	41720170	Rope complete TORNADO *	1.000	ST	20000	
Positionstext: //1.161-101/ -102/ -103/ -104.0							
	12	77779990	Stockpiling discontinued	1.000	ST		19999
Positionstext: //1.161-101/ -102/ -103/ -104.0							
	13	50441690	Holder suction bar	1.000	ST	0000000000	0000000000
X-X	14	73031390	Saucer-head screw M6x20 -A2 DIN 603	2.000	ST	0000000000	0000000000
	15	50482340	Rocker suction bar	1.000	ST	0000000000	0000000000
	16	73210110	Star handle K 32 DIN 6335	2.000	ST	0000000000	0000000000
X-X	17	64311890	Bowden wire complete	1.000	ST	0000000000	0000000000
Positionstext: //1.161-110/ -201/ -202/ -203/ -204/-211/ -212.0							
	18	64311990	Bowden wire complete with spring	1.000	ST	0000000000	0000000000
Positionstext: //1.161-209/ -210.0							

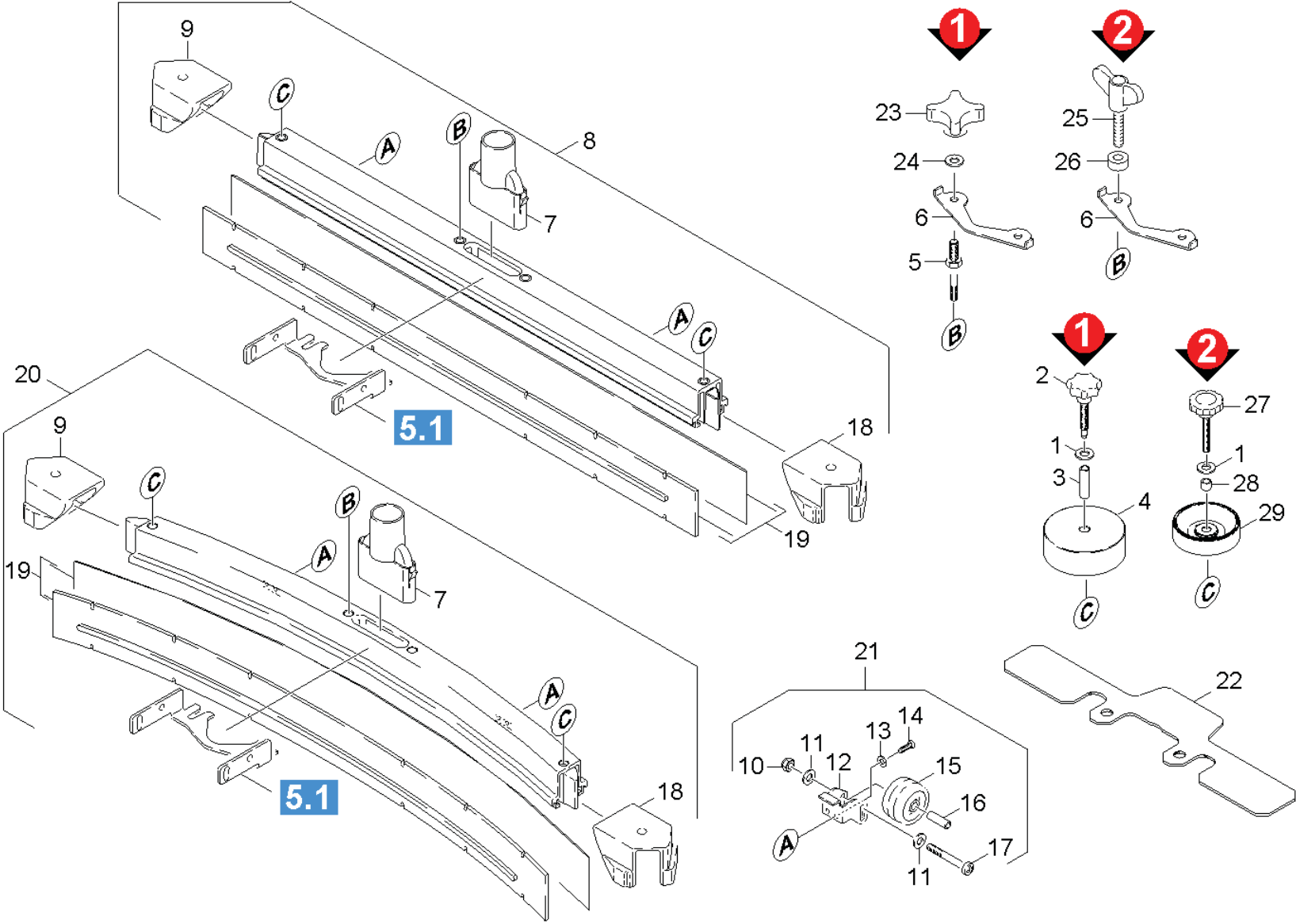


52 Suction bar (01631240)

ET/VT	pos	Article no.	Description	Quantity	Selling Unit	from ser.nr.	up to ser.nr.
X-	1	50314820	End piece right	2.000	ST	0000000000	0000000000
X-X	3	63211330	Star handle	2.000	ST	0000000000	0000000000
X-	4	73120800	Washer 10-C -100HV-tZn DIN 7989-1	2.000	ST	0000000000	0000000000
	5	53080570	Threaded bolt	2.000	ST	0000000000	0000000000
	6	73122770	Washer 8-200HV-A2E ISO7093-1	2.000	ST	0000000000	0000000000
	8	50314640	Suction nipple	1.000	ST	0000000000	0000000000
X-	9	63212430	Star grip stainless steel D50x48	2.000	ST	0000000000	0000000000
	10	73120040	Washer 8 -200HV-A3E ISO 7090	2.000	ST	0000000000	0000000000
X-	11	55150960	Roller	2.000	ST	0000000000	0000000000
	12	50294690	Tube	2.000	ST	0000000000	0000000000
X-	13	50314650	End piece left	1.000	ST	0000000000	0000000000
X-X	14	62731800	Rubber lip kit only for replacement PU	1.000	ZSA	0000000000	0000000000
X-X	14	62731790	Rubber lip kit only for replacement NK	1.000	ZSA	0000000000	0000000000
X-X	20	47773020	Suction bar 940AB	1.000	ST	0000000000	0000000000
X-X	21	47770550	Suction bar curved	1.000	ST	0000000000	0000000000
	25	54012490	Insert curved	1.000	ST	0000000000	0000000000
	28	73114220	Hexagon nut M 6-1.4305 ISO 10511	2.000	ST	0000000000	0000000000
	29	73120260	Washer 6 -A2 ISO 7090	4.000	ST	0000000000	0000000000
	30	50443040	Holder roller	2.000	ST	0000000000	0000000000
X-X	31	73120580	Washer 5 -A2 ISO 7090	2.000	ST	0000000000	0000000000
	32	73030370	Screw M5x10 -St-P2R (In6Rd)	2.000	ST	0000000000	0000000000
	33	50171360	Angle	2.000	ST	0000000000	0000000000
	34	51052450	Axle	2.000	ST	0000000000	0000000000
	35	73061990	Screw M 6x50-A2-70 (IN6RD)	1.000	ST	0000000000	0000000000
X-X	36	64354010	Wheel D54	2.000	ST	0000000000	0000000000

52 Suction bar (01631240)

ET/VT	pos	Article no.	Description	Quantity	Selling Unit	from ser.nr.	up to ser.nr.
	40	26395610	Add-on kit support wheels suction bar	1.000	ST	0000000000	0000000000
	49	50072170	Plate	1.000	ST	0000000000	0000000000

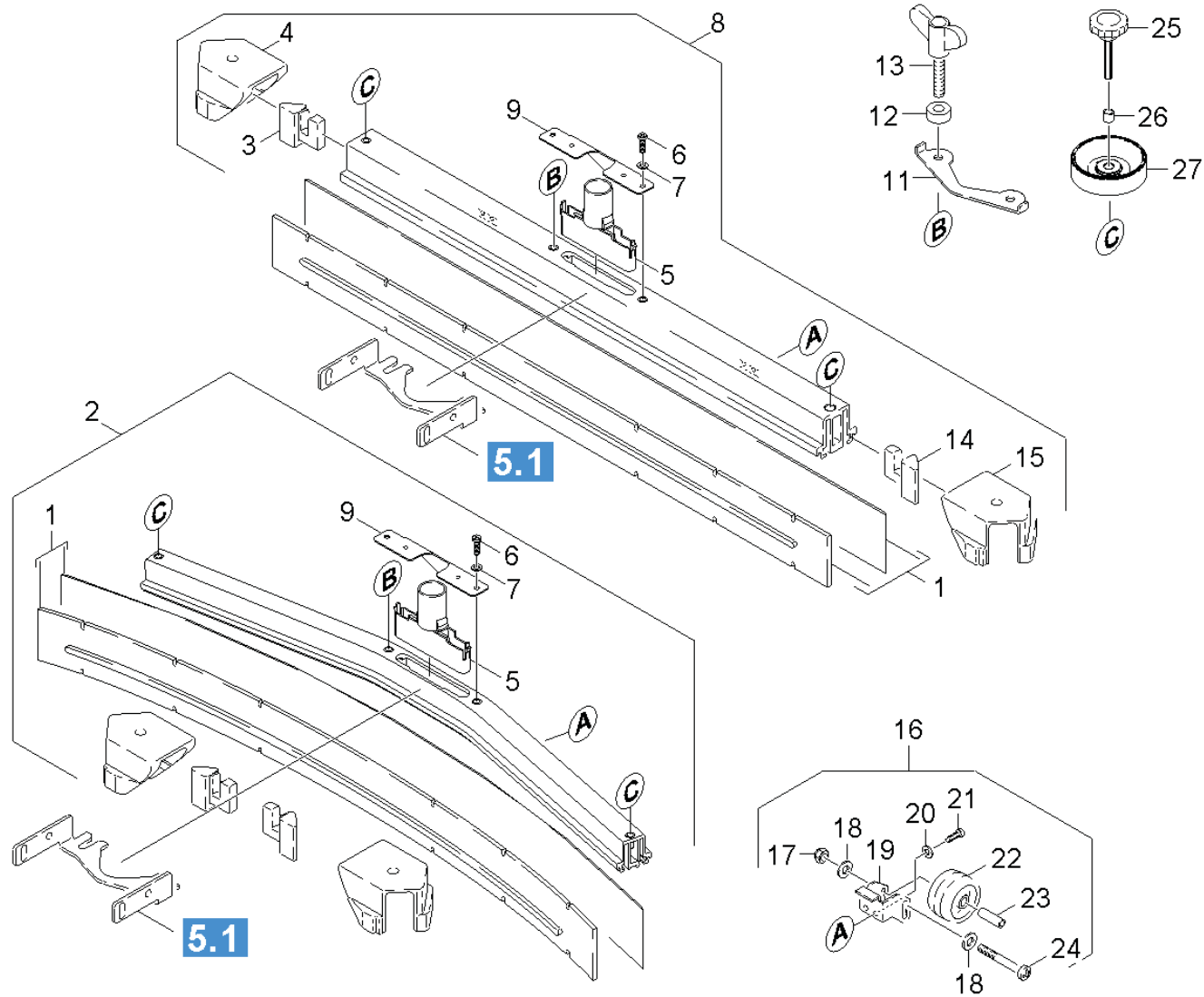


53 Suction bar (01635600)

ET/VT	pos	Article no.	Description	Quantity	Selling Unit	from ser.nr.	up to ser.nr.	var. information	Fußnotentext
	1	73120040	Washer 8 -200HV-A3E ISO 7090	2.000	ST	0000000000	0000000000		
X-	2	63212430	Star grip stainless steel D50x48	2.000	ST	0000000000	0000000000		VERSION 1
	3	50940500	Tube	2.000	ST	0000000000	0000000000		VERSION 1
X-	4	55150960	Roller	2.000	ST	0000000000	0000000000		VERSION 1
	5	53080640	Threaded bolt	2.000	ST	0000000000	0000000000		VERSION 1
	6	50072170	Plate	1.000	ST	0000000000	0000000000		
	6	50076190	Plate suction bar	1.000	ST				STAINLESS STEEL CONSTRUCTIO
	7	50319890	Suction nipple	1.000	ST	0000000000	0000000000		
X-X	8	47773020	Suction bar 940AB	1.000	ST	0000000000	0000000000		
	9	50319910	End piece right	1.000	ST	0000000000	0000000000		
	10	73114220	Hexagon nut M 6-1.4305 ISO 10511	1.000	ST	0000000000	0000000000		
	11	73120260	Washer 6 -A2 ISO 7090	2.000	ST	0000000000	0000000000		
	12	50443040	Holder roller	2.000	ST	0000000000	0000000000		
	13	73120520	Washer 5 -A2 ISO 7089	2.000	ST	0000000000	0000000000		
	14	73030370	Screw M5x10 -St-P2R (In6Rd)	2.000	ST	0000000000	0000000000		
X-X	15	64354010	Wheel D54	2.000	ST	0000000000	0000000000		
	16	51052450	Axle	1.000	ST	0000000000	0000000000		
	17	73061990	Screw M 6x50-A2-70 (IN6RD)	1.000	ST	0000000000	0000000000		
	18	50319900	End piece left	1.000	ST	0000000000	0000000000		
X-X	19	62732080	Rubber lip set oil resistant	1.000	ZSA	0000000000	0000000000		OIL RESISTANT
X-X	19	62732050	Rubber lip set anti stripe oil resistant	1.000	ZSA	0000000000	0000000000		ANTI-STRIP
X-X	19	62732140	Rubber lip set standard	1.000	ZSA	0000000000	0000000000		STANDARD
X-X	20	47770550	Suction bar curved	1.000	ST	0000000000	0000000000		
	21	26395610	Add-on kit support wheels suction bar	1.000	ST	0000000000	0000000000		
	22	51283390	Additional weight suction bar	1.000	ST	0000000000	0000000000		

53 Suction bar (01635600)

ET/VT	pos	Article no.	Description	Quantity	Selling Unit	from ser.nr.	up to ser.nr.	var. information	Fußnotentext
X-X	23	63211330	Star handle	2.000	ST	0000000000	0000000000		VERSION 1
	24	73120660	Washer 10 -A2 ISO 7090	2.000	ST	0000000000	0000000000		VERSION 1
X-	25	53052860	Wing screw M8x	2.000	ST	0000000000	0000000000	VERSION 2	
X-X	25	53052960	Wing screw M8x40 VA	2.000	ST			VERSION 2	STAINLESS STEEL CONSTRUCTIO
	26	51127480	Sleeve	2.000	ST	0000000000	0000000000	VERSION 2	
X-X	26	51128100	Sleeve VA	2.000	ST			VERSION 2	STAINLESS STEEL CONSTRUCTIO
	27	63212390	Star grip VA Ø50x43	2.000	ST			VERSION 2	STAINLESS STEEL CONSTRUCTIO
	28	50942310	Sleeve suction bar in VA	2.000	ST			VERSION 2	STAINLESS STEEL CONSTRUCTIO
X-	29	55152670	Deflector roll suction bar	2.000	ST			VERSION 2	

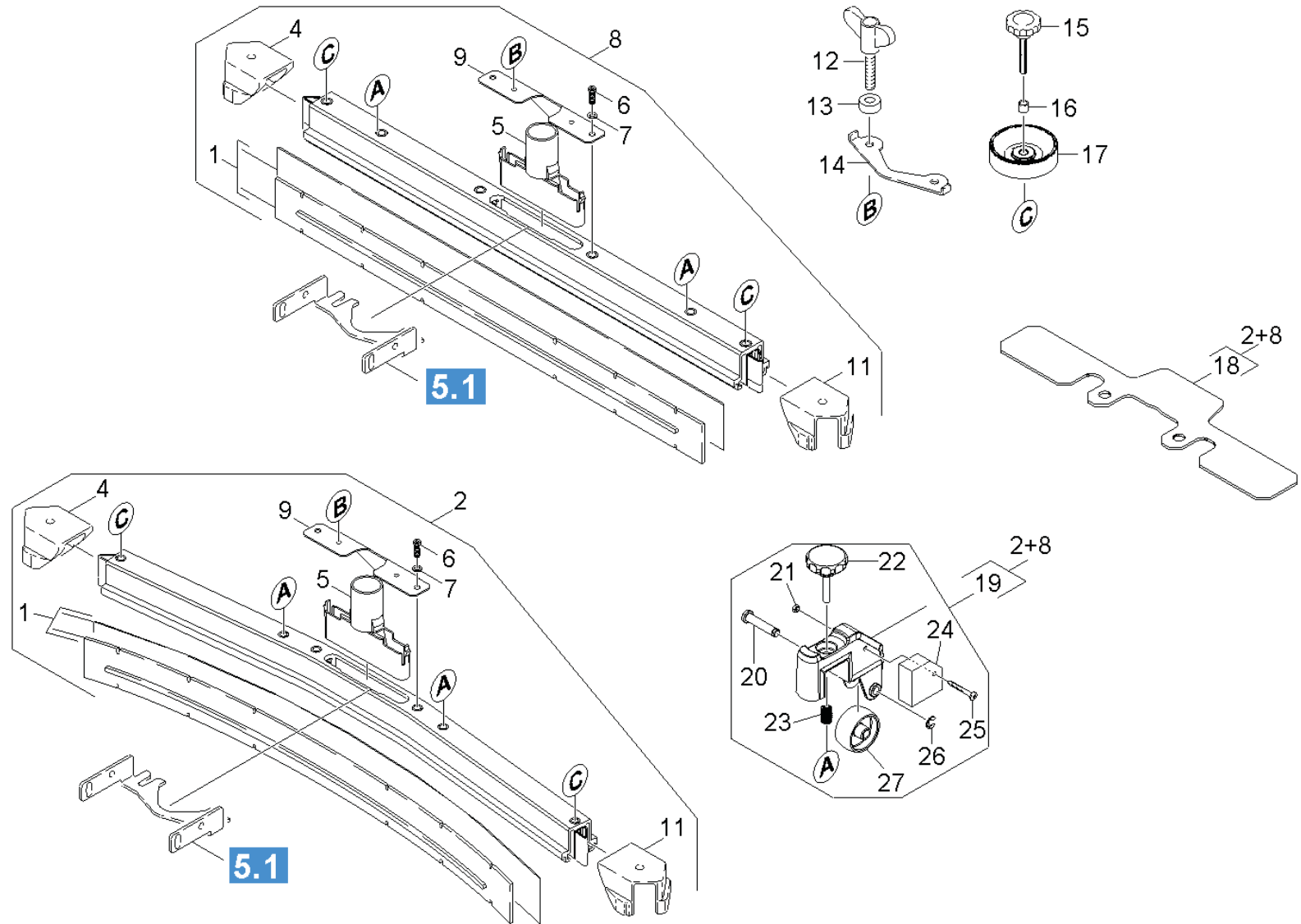


54 Suction bar (01648310)

ET/VT	pos	Article no.	Description	Quantity	Selling Unit	from ser.nr.	up to ser.nr.	var. information	Fußnotentext
X-X	1	62732140	Rubber lip set standard	1.000	ZSA				STANDARD
X-X	1	62732050	Rubber lip set anti stripe oil resistant	1.000	ZSA				ANTI-STRIP, OIL RESISTANT
X-X	1	62732080	Rubber lip set oil resistant	1.000	ZSA	0000000000	0000000000		OIL RESISTANT
X-X	2	47773120	Suction bar curved 940AB	1.000	ST	0000000000	0000000000		
	3	50319930	End piece inside right	1.000	ST	0000000000	0000000000		
	4	50319910	End piece right	1.000	ST	0000000000	0000000000		
	5	50336690	Suction nipple	1.000	ST	0000000000	0000000000		
X-X	6	73061420	Cylinder head screw M 8x25-A4-70 ISO 47	2.000	ST				
X-	7	73120170	Washer 8-A2 ISO 7089	2.000	ST				
X-X	8	47773020	Suction bar 940AB	1.000	ST	0000000000	0000000000		
	9	51005590	Suction bar support plate	1.000	ST				
	11	50072170	Plate	1.000	ST	0000000000	0000000000		
X-X	12	51128100	Sleeve VA	2.000	ST			(VA)	
X-X	13	53052960	Wing screw M8x40 VA	2.000	ST			(VA)	
	14	50319920	End piece inside left	1.000	ST	0000000000	0000000000		
	15	50319900	End piece left	1.000	ST	0000000000	0000000000		
	16	26395610	Add-on kit support wheels suction bar	1.000	ST	0000000000	0000000000		
	17	73114220	Hexagon nut M 6-1.4305 ISO 10511	1.000	ST	0000000000	0000000000		
	18	73120260	Washer 6 -A2 ISO 7090	2.000	ST	0000000000	0000000000		
	19	50443040	Holder roller	2.000	ST	0000000000	0000000000		
	20	73120520	Washer 5 -A2 ISO 7089	2.000	ST	0000000000	0000000000		
	21	73030370	Screw M5x10 -St-P2R (In6Rd)	2.000	ST	0000000000	0000000000		
X-X	22	64354010	Wheel D54	2.000	ST	0000000000	0000000000		
	23	51052450	Axle	1.000	ST	0000000000	0000000000		
	24	73045500	Hexagonal head screw M 6x45-A4-70 ISO 4	2.000	ST				

54 Suction bar (01648310)

ET/VT	pos	Article no.	Description	Quantity	Selling Unit	from ser.nr.	up to ser.nr.	var. information	Fußnotentext
	25	63212390	Star grip VA Ø50x43	2.000	ST				STAINLESS STEEL CONSTR
	26	50942310	Sleeve suction bar in VA	2.000	ST				STAINLESS STEEL CONSTR
X-	27	55152670	Deflector roll suction bar	2.000	ST				



55 Suction bar (01102360)

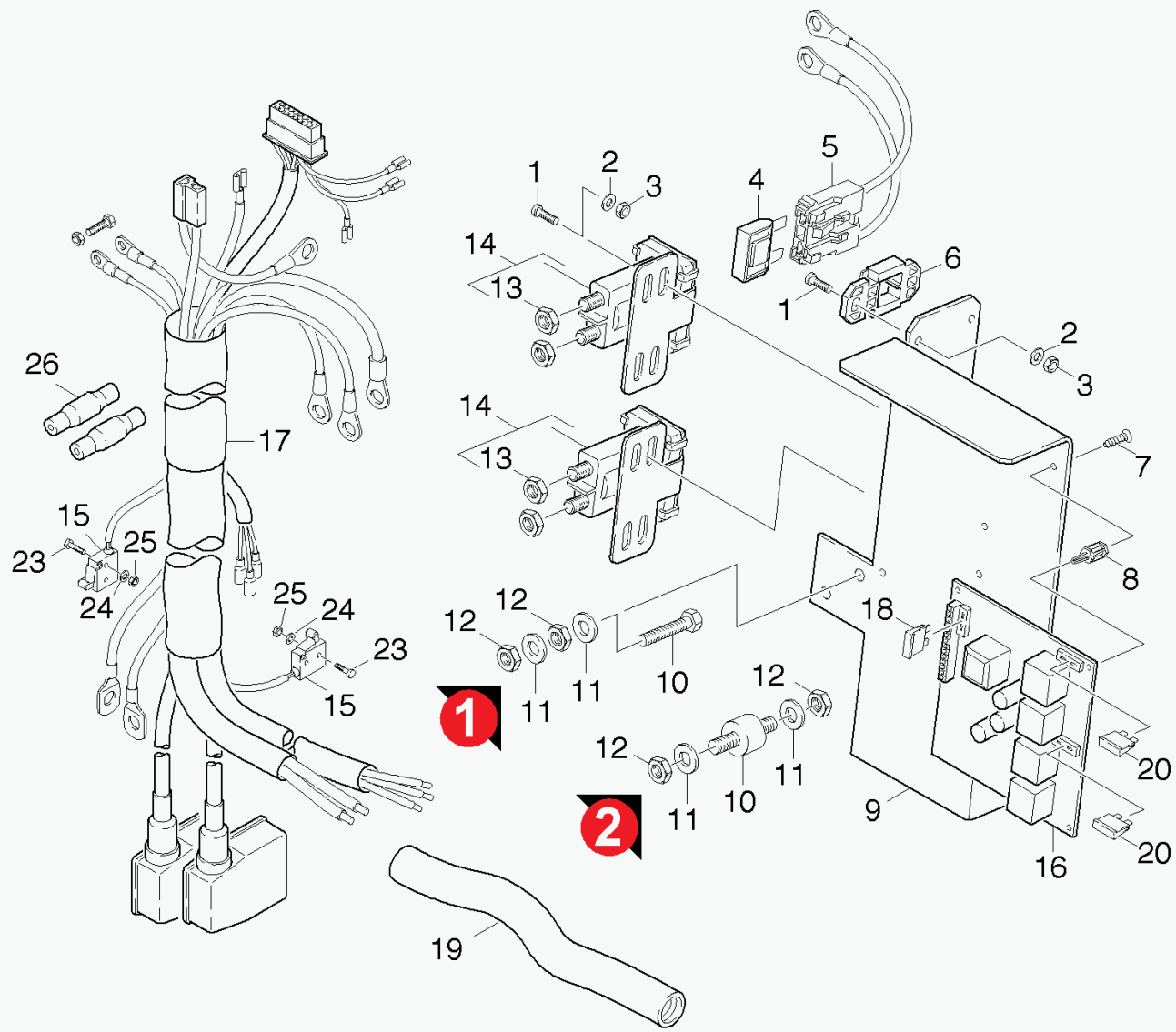
ET/VT	pos	Article no.	Description	Quantity	Selling Unit	var. information	Fußnotentext
X-	1	62732910	BLADES FOR TEXTURED FLOORS	1.000	ST		CLOSED, OIL RESISTANT
X-	1	62732910	BLADES FOR TEXTURED FLOORS	1.000	ST		CLOSED, OIL RESISTANT
X-X	1	62732080	Rubber lip set oil resistant	1.000	ZSA	(980mm)	OIL RESISTANT
X-X	1	62732050	Rubber lip set anti stripe oil resistant	1.000	ZSA	(980mm)	ANTI-STRIP, OIL RESISTANT
X-	2	47774120	Suction bar curved 940mm	1.000	ST		
	4	50319910	End piece right	1.000	ST		
	5	50336010	Suction nipple	1.000	ST		
X-X	6	73061420	Cylinder head screw M 8x25-A4-70 ISO 47	2.000	ST		
X-	7	73120170	Washer 8-A2 ISO 7089	2.000	ST		
X-	8	47774020	Suction bar straight 940mm	1.000	ST		
	9	51005590	Suction bar support plate	1.000	ST		
	11	50319900	End piece left	1.000	ST		
X-X	12	53052960	Wing screw M8x40 VA	2.000	ST		
X-X	13	51128100	Sleeve VA	2.000	ST		
	14	50072170	Plate	2.000	ST		
	15	63212390	Star grip VA Ø50x43	2.000	ST		
	16	50942310	Sleeve suction bar in VA	2.000	ST		
	17	55153460	Deflector roll suction bar D120	2.000	ST		
	18	51283390	Additional weight suction bar	1.000	ST		
	19	40353390	Roller suction bar	2.000	ST		
	20	53040980	Bolt	2.000	ST		
X-	21	73114310	Hexagon nut M 5-1.4305 ISO 10511	2.000	ST		
	22	63212400	Star grip with inscription VA Ø50x43	2.000	ST		
X-X	23	53325040	Pressure spring	2.000	ST		
	24	51005600	Additional weight suction bar 300 g	2.000	ST		

55 Suction bar (01102360)

ET/VT	pos	Article no.	Description	Quantity	Selling Unit	var. information	Fußnotentext
	25	73061850	Screw M5x 35-A2-70 (IN6RD)	2.000	ST		
	26	73433030	Locking ring 8-A2 DIN 6799	2.000	ST		
X-X	27	64354010	Wheel D54	2.000	ST		

60 Electronic control (01638060)

pos	Article no.	Description	from ser.nr.	up to ser.nr.	Fußnotentext
61	01628670	Electronic control	0000000000	0000000000	VERSION 1+2
62	01638070	Electronic control	0000000000	0000000000	VERSION 3
63	01644790	Electronic control			VERSION 4



61 Electronic control (01628670)

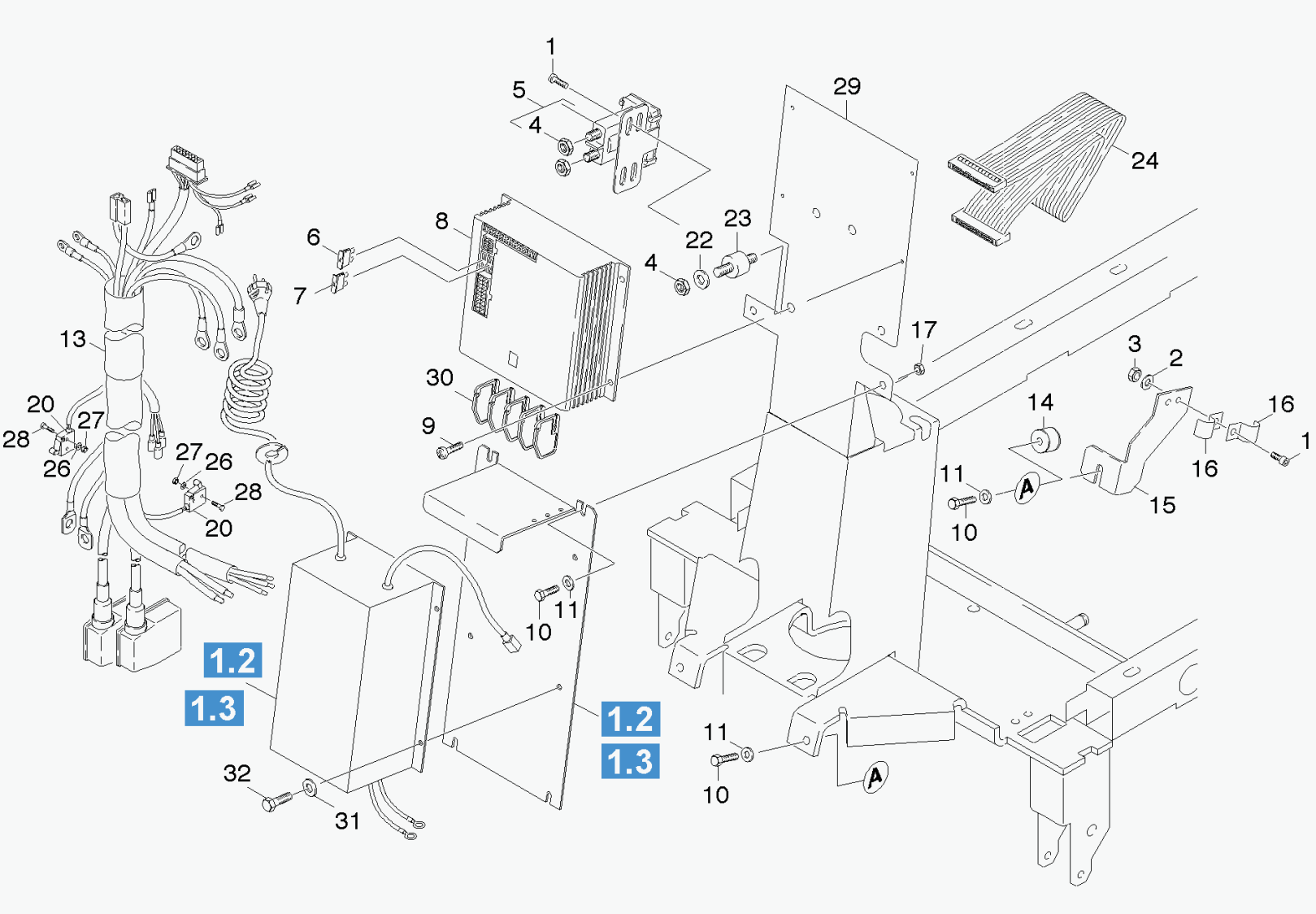
ET/VT	pos	Article no.	Description	Quantity	Selling Unit	from ser.nr.	up to ser.nr.	var. information
	1	73060580	Screw M 4X 12- 8.8-R2R K-IN6RD	5.000	ST	0000000000	0000000000	
	2	73120010	Washer 4 -200HV-A3E ISO 7089	8.000	ST	0000000000	0000000000	
	3	73110010	Hexagon nut M4 -8-A2E ISO 4032	5.000	ST	0000000000	0000000000	
X-X	4	66443070	Blade type fuse 70A	1.000	ST	0000000000	0000000000	
	5	66442750	Fuse holder	1.000	ST	0000000000	0000000000	
	6	66442760	Plate	1.000	ST	0000000000	0000000000	
	7	73062030	Screw M 3X 8-A2-70 (IN6RD)	4.000	ST	0000000000	0000000000	
	8	63160150	Distance holder TER M3	4.000	ST	0000000000	0000000000	
	9	40387360	Sheet metal component complete BRTRIKE E	1.000	ST	0000000000	0000000000	
	10	66520330	Isolator	2.000	ST	0000000000	0000000000	VERS 2
	10	73061790	Screw M5x8 -A2-70 (In6Rd)	2.000	ST	0000000000	0000000000	VERS 1
	11	73120520	Washer 5 -A2 ISO 7089	4.000	ST	0000000000	0000000000	
	12	73110210	Hexagon nut M 5-8-A2E EN 1661	4.000	ST	0000000000	0000000000	
	13	73110410	Hexagon nut M 8-CU 2 ISO 4032	4.000	ST	0000000000	0000000000	
	14	66333890	Power relay	2.000	ST	0000000000	0000000000	
X-X	15	66301040	Micro switch BR/BD TRIKE	2.000	ST	0000000000	0000000000	
	16	66825500	Control circuit board BR/BD TRIKE SENSOR	1.000	ST	0000020000	0000000000	
	16	66824680	Control circuit board BR/BD TRIKE	1.000	ST	0000000000	0000019999	
	17	48392280	Electrical small parts	1.000	ST	0000000000	0000000000	
	18	76440060	Fuse insert C 3 DIN 72581-3	1.000	ST	0000000000	0000000000	
	19	63905520	Hose	1.000	ST	0000000000	0000000000	
X-X	20	76440240	Fuse insert C40 DIN 72581-3	2.000	ST	0000000000	0000000000	
	21	28838730	Spare part set	1.000	ST	0000000000	0000000000	
	23	73060450	Screw M2x20 -8.8-A2R (In6Rd)	4.000	ST	0000000000	0000000000	
	24	73120530	Washer 2,5-200HV-A3E ISO 7089	4.000	ST	0000000000	0000000000	

61 Electronic control (01628670)

ET/VT	pos	Article no.	Description	Quantity	Selling Unit	from ser.nr.	up to ser.nr.	var. information
	25	73110740	Hexagon nut M 2-8-A2E ISO 4032	4.000	ST	0000000000	0000000000	
X-X	26	66412100	Series connector 1,5mm ²	2.000	ST	0000000000	0000000000	

21 Spare part set (28838730)

ET/VT	pos	Article no.	Description	Quantity	Selling Unit
X-X	10	66443070	Blade type fuse 70A	1.000	ST
	20	76440060	Fuse insert C 3 DIN 72581-3	1.000	ST
X-X	30	76440240	Fuse insert C40 DIN 72581-3	1.000	ST

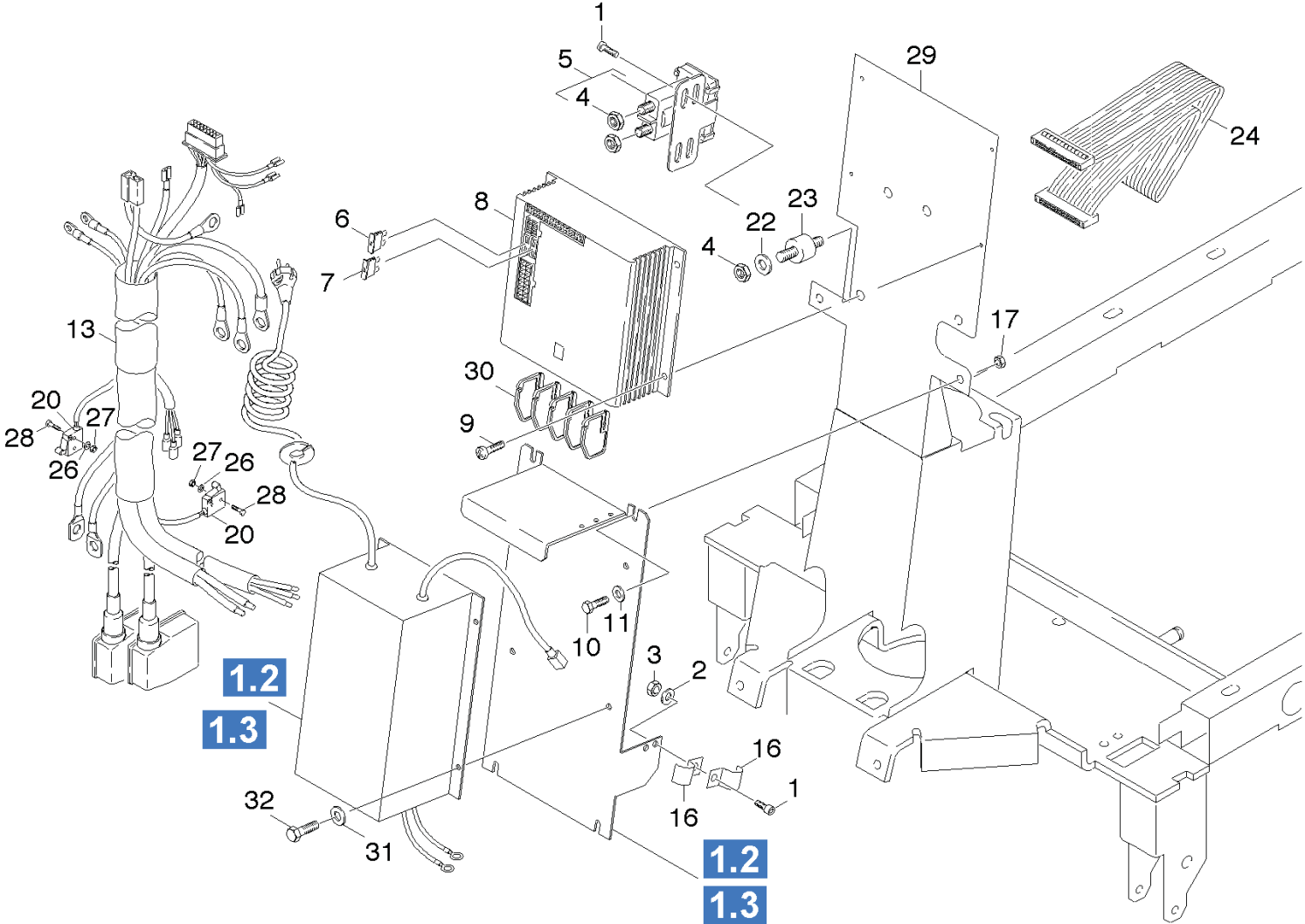


62 Electronic control (01638070)

ET/VT	pos	Article no.	Description	Quantity	Selling Unit	from ser.nr.	up to ser.nr.
	1	73060580	Screw M 4X 12- 8.8-R2R K-IN6RD	4.000	ST	0000000000	0000000000
	2	73120010	Washer 4 -200HV-A3E ISO 7089	2.000	ST	0000000000	0000000000
	3	73110010	Hexagon nut M4 -8-A2E ISO 4032	2.000	ST	0000000000	0000000000
	4	73110410	Hexagon nut M 8-CU 2 ISO 4032	2.000	ST	0000000000	0000000000
	5	66333890	Power relay	1.000	ST	0000000000	0000000000
	6	76440060	Fuse insert C 3 DIN 72581-3	1.000	ST	0000000000	0000000000
X-	7	76440070	Fuse insert C 7,5 DIN 72581-3	1.000	ST	0000000000	0000000000
X-X	8	66826520	Control circuit board	1.000	ST	0000000000	0000000000
Positionstext: / 1.161-201.0 / -202.0 / -203.0 / -204.0 / -209.0 / -210.0 / -211.0 / -212.0							
	9	73064060	Cylinder head screw M3x16-4.8-A2E ISO 1	4.000	ST	0000000000	0000000000
	10	73060920	Screw M6x20-ST- 8.8-R3R (IN6RD)	4.000	ST	0000000000	0000000000
	11	73122760	Washer 6 -200HV-A2E ISO7093-1	4.000	ST	0000000000	0000000000
	12	73110670	Hexagon nut M 6-A2-70 ISO 4032	2.000	ST	0000000000	0000000000
	13	48392280	Electrical small parts	1.000	ST	0000000000	0000000000
X-X	14	63390210	Rubber buffer 2xM6-D20 H15	5.000	ST	0000000000	0000000000
	15	50497420	Sheet metal component	1.000	ST	0000000000	0000000000
Positionstext: / 1.161-203.0 / -204.0 / -211.0/ -212.0							
	16	66480770	Cable clamp	1.000	ST	0000000000	0000000000
	17	73110030	Hexagon nut M6 -8-A2E ISO 4032	2.000	ST	0000000000	0000000000
X-X	20	66301040	Micro switch BR/BD TRIKE	2.000	ST	0000000000	0000000000
	22	73120520	Washer 5 -A2 ISO 7089	2.000	ST	0000000000	0000000000
	23	66520330	Isolator	1.000	ST	0000000000	0000000000
X-	24	67683530	Ribbon cable 40P	1.000	ST	0000000000	0000000000
	26	73120530	Washer 2,5-200HV-A3E ISO 7089	4.000	ST	0000000000	0000000000
	27	73110740	Hexagon nut M 2-8-A2E ISO 4032	4.000	ST	0000000000	0000000000

62 Electronic control (01638070)

ET/VT	pos	Article no.	Description	Quantity	Selling Unit	from ser.nr.	up to ser.nr.
	28	73060450	Screw M2x20 -8.8-A2R (In6Rd)	4.000	ST	0000000000	0000000000
	29	50581230	Sheet metal component BR/BD/KM	1.000	ST	0000000000	0000000000
	30	50324050	Moulded part plate electronics	5.000	ST	0000000000	0000000000
	31	73120020	Washer 5-200HV-A3E ISO 7090	4.000	ST	0000000000	0000000000
	32	73064430	Cylinder head screw M5x12-4.8-A2E ISO 1	4.000	ST	0000000000	0000000000

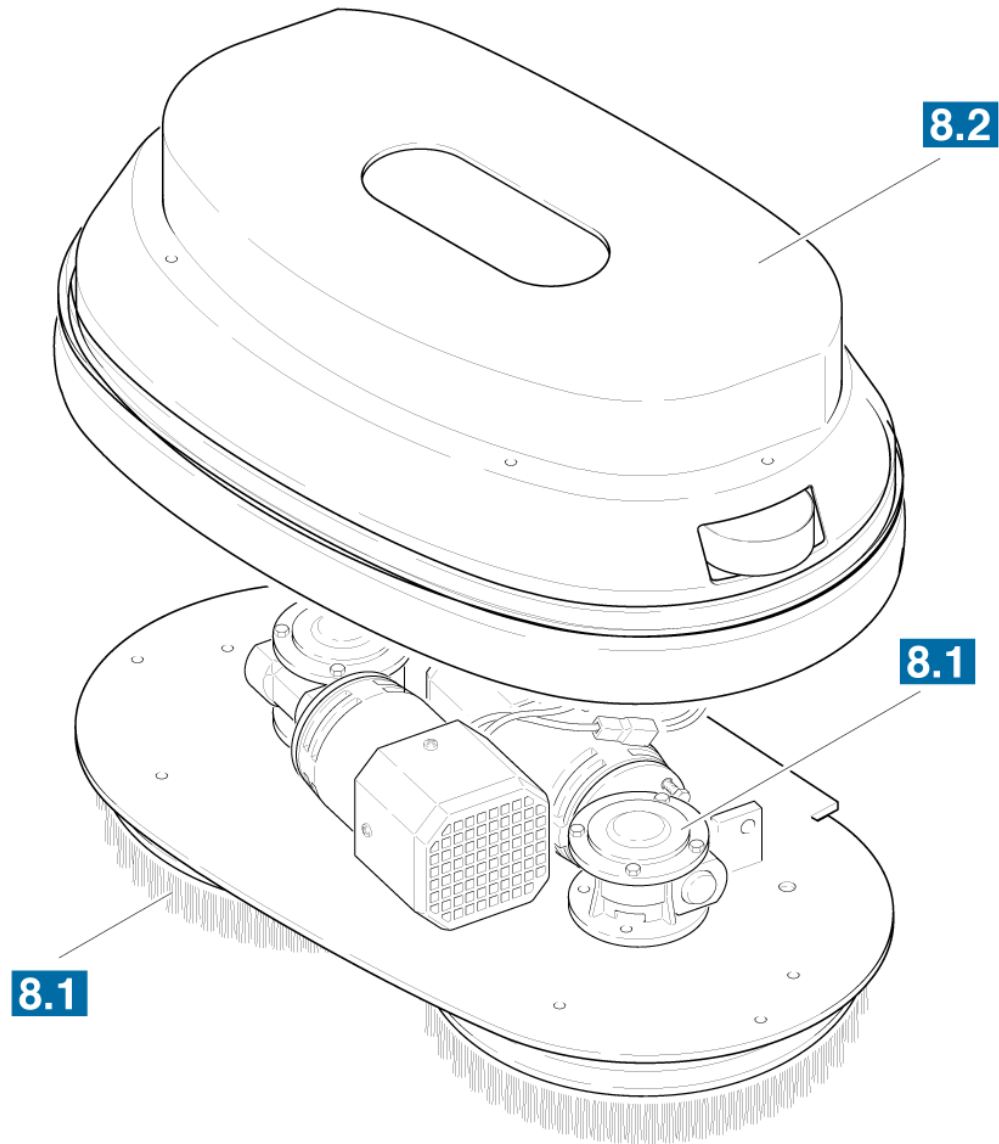


63 Electronic control (01644790)

ET/VT	pos	Article no.	Description	Quantity	Selling Unit	from ser.nr.	up to ser.nr.
	1	73060580	Screw M 4X 12- 8.8-R2R K-IN6RD	4.000	ST	0000000000	0000000000
	2	73120010	Washer 4 -200HV-A3E ISO 7089	2.000	ST	0000000000	0000000000
	3	73110010	Hexagon nut M4 -8-A2E ISO 4032	2.000	ST	0000000000	0000000000
	4	73110410	Hexagon nut M 8-CU 2 ISO 4032	2.000	ST	0000000000	0000000000
	5	66333890	Power relay	1.000	ST	0000000000	0000000000
	6	76440060	Fuse insert C 3 DIN 72581-3	1.000	ST	0000000000	0000000000
X-	7	76440070	Fuse insert C 7,5 DIN 72581-3	1.000	ST	0000000000	0000000000
X-X	8	66826520	Control circuit board	1.000	ST	0000000000	0000000000
Positionstext: / 1.161-201.0 / -202.0 / -203.0 / -204.0 / -209.0 / -210.0 / -211.0 / -212.0							
	9	73064060	Cylinder head screw M3x16-4.8-A2E ISO 1	4.000	ST	0000000000	0000000000
	10	73060920	Screw M6x20-ST- 8.8-R3R (IN6RD)	4.000	ST	0000000000	0000000000
	11	73122760	Washer 6 -200HV-A2E ISO7093-1	4.000	ST	0000000000	0000000000
	12	73110670	Hexagon nut M 6-A2-70 ISO 4032	2.000	ST	0000000000	0000000000
	13	48392280	Electrical small parts	1.000	ST	0000000000	0000000000
	16	66480770	Cable clamp	1.000	ST	0000000000	0000000000
	17	73110030	Hexagon nut M6 -8-A2E ISO 4032	2.000	ST	0000000000	0000000000
X-X	20	66301040	Micro switch BR/BD TRIKE	2.000	ST	0000000000	0000000000
	22	73120520	Washer 5 -A2 ISO 7089	2.000	ST	0000000000	0000000000
	23	66520330	Isolator	1.000	ST	0000000000	0000000000
X-	24	67683530	Ribbon cable 40P	1.000	ST	0000000000	0000000000
	26	73120530	Washer 2,5-200HV-A3E ISO 7089	4.000	ST	0000000000	0000000000
	27	73110740	Hexagon nut M 2-8-A2E ISO 4032	4.000	ST	0000000000	0000000000
	28	73060450	Screw M2x20 -8.8-A2R (In6Rd)	4.000	ST	0000000000	0000000000
	29	50581230	Sheet metal component BR/BD/KM	1.000	ST	0000000000	0000000000
	30	50324050	Moulded part plate electronics	5.000	ST	0000000000	0000000000

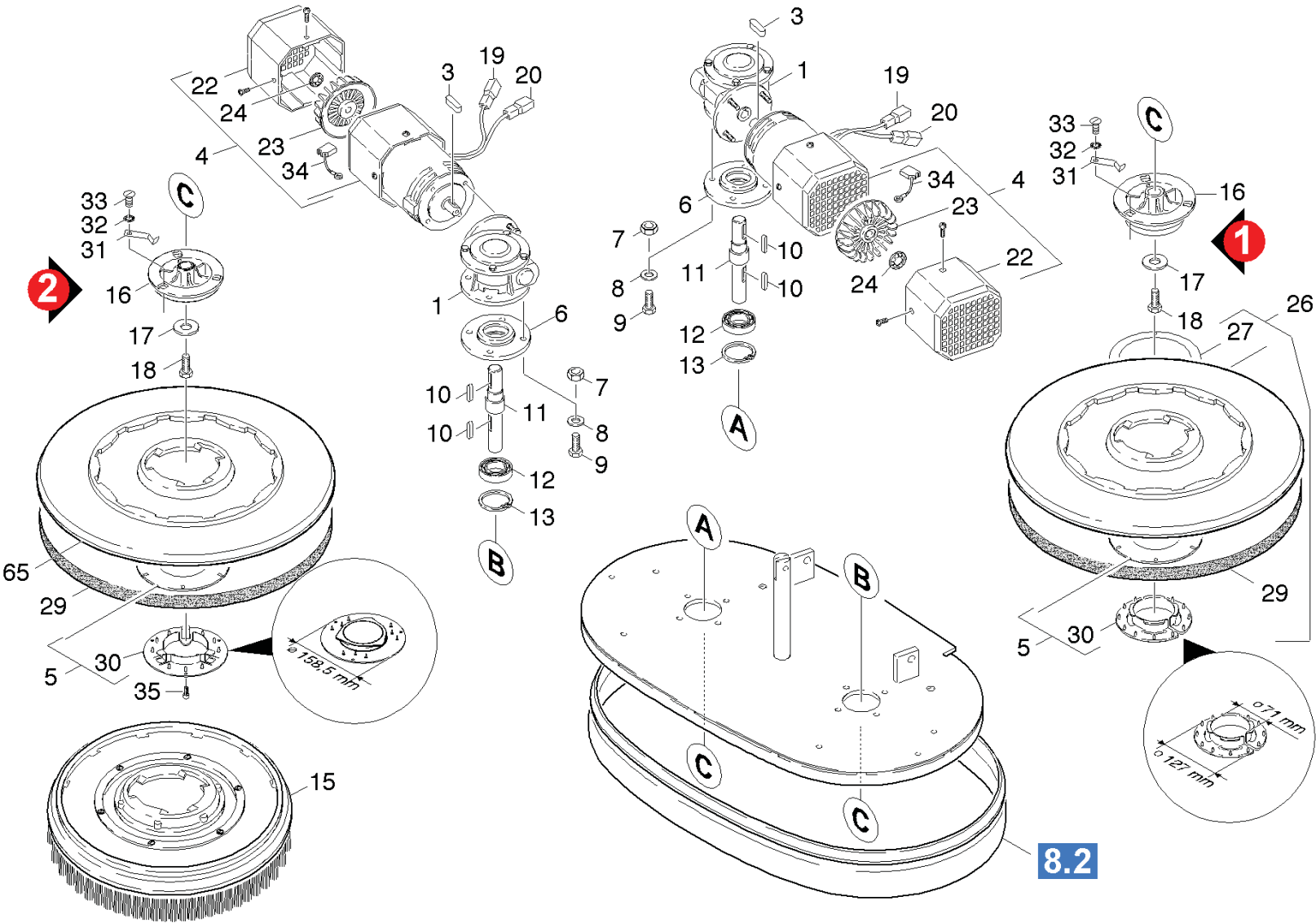
63 Electronic control (01644790)

ET/VT	pos	Article no.	Description	Quantity	Selling Unit	from ser.nr.	up to ser.nr.
	31	73120020	Washer 5-200HV-A3E ISO 7090	4.000	ST	0000000000	0000000000
	32	73030380	Screw M5x12 -St-P2R (In6Rd)	4.000	ST	0000000000	0000000000



80 Power brush BD (01628560)

pos	Article no.	Description	from ser.nr.	up to ser.nr.
81	01628570	Bottom part	0000000000	0000000000
82	01628580	Top part	0000000000	0000000000

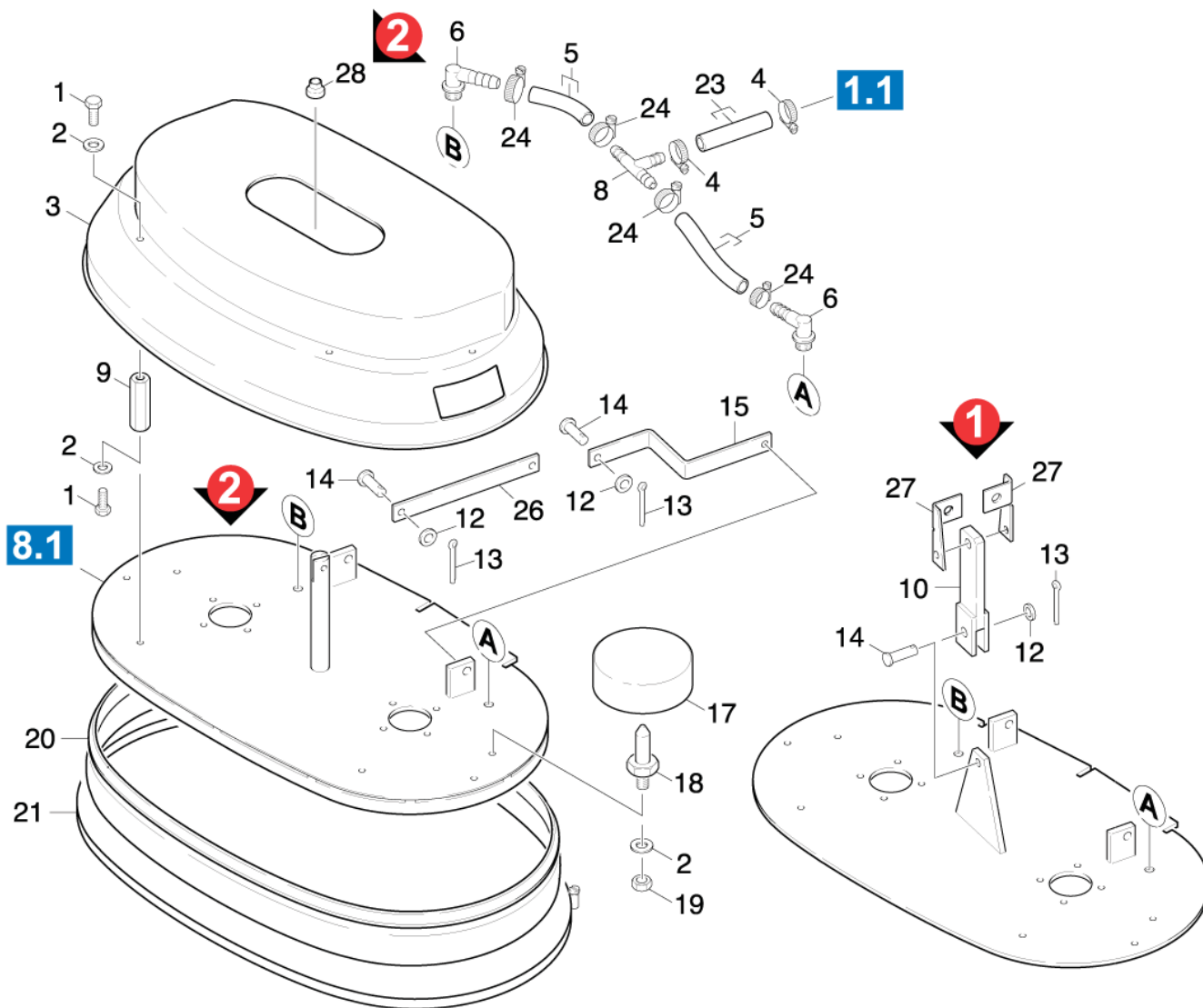


81 Bottom part (01628570)

ET/VT	pos	Article no.	Description	Quantity	Selling Unit	from ser.nr.	up to ser.nr.	var. information	Fußnotentext
	1	64541980	Worm gearing i=20	2.000	ST	0000000000	0000000000		
	3	73180700	Parallel key 5x5x20-C45R DIN 6885-1	2.000	ST	0000000000	0000000000		
	4	66130290	Direct current motor	2.000	ST	0000000000	0000000000		
	5	69572700	Holder CENTERGRIP	1.000	ST	0000000000	0000000000		
X-	6	51224700	Flange worked	2.000	ST	0000000000	0000000000		
	7	73110040	Hexagon nut M8 -8-A3E ISO 4032	8.000	ST	0000000000	0000000000		
	8	73120040	Washer 8 -200HV-A3E ISO 7090	8.000	ST	0000000000	0000000000		
	9	73044060	Hexagonal head screw M 8x35-8.8-A2E IS	8.000	ST	0000000000	0000000000		
	10	73180300	Parallel key 6x6x25 -C45R DIN 6885-1	4.000	ST	0000000000	0000000000		
	11	51001870	Shaft	4.000	ST	0000000000	0000000000		
	12	74011730	Ball bearing 6204-2RS-WAELZLAGST DIN 625	2.000	ST	0000000000	0000000000		
	13	73431150	Locking ring 47x1,75 -St-ph DIN 472	2.000	ST	0000000000	0000000000		
X-	15	69582350	Disc brush black (old colour grey)	2.000	ST	0000000000	0000000000		
	15	69582330	Disc brush	2.000	ST	0000000000	0000000000		BLACK
X-X	15	69582340	Disc brush red (old colour white)	2.000	ST	0000000000	0000000000		
X-X	16	51224720	Flange machined part	2.000	ST	0000000000	0000000000		
	17	73122680	Washer 8 -A2 ISO 7094	2.000	ST	0000000000	0000000000		
	18	73045380	Hexagonal head screw M8x16-A4-70 ISO 40	2.000	ST	0000000000	0000000000		
X-	19	66463290	Plug red 75A	2.000	ST	0000000000	0000000000		
X-	20	66463300	Plug blue 75A	2.000	ST	0000000000	0000000000		
	22	77779990	Stockpiling discontinued	2.000	ST	0000000000	0000000000		
	23	66130250	Blower wheel	2.000	ST	0000000000	0000000000		
	24	63431490	Quick-fastener	2.000	ST	0000000000	0000000000		
X-X	26	47623110	Pad disk	2.000	ST	0000000000	000021401		VERSION 1
	27	51144970	Ring pad drive disk	1.000	ST	0000000000	000021401		VERSION 1

81 Bottom part (01628570)

ET/VT	pos	Article no.	Description	Quantity	Selling Unit	from ser.nr.	up to ser.nr.	var. information	Fußnotentext
X-X	29	63690010	Pad black set 5x	2.000	ZSA	0000000000	0000000000		
	29	63699590	Pad Mikrofaser	1.000	ZSA	0000000000	0000000000		WHITE
X-X	29	63690030	Pad red	2.000	ZSA	0000000000	0000000000		
X-X	29	63690020	Pad green	2.000	ZSA	0000000000	0000000000		
	30	69063300	Centerlock	2.000	ST	0000000000	0000000000		VERSION 1
	30	69068380	Centerlock	1.000	ST	0000000000	0000000000		VERSION 2
X-X	31	53370330	Plate spring	6.000	ST	0000000000	0000000000		
X-X	32	73120410	Serrated lock washer A5,3-1.4310 DIN 67	6.000	ST	0000000000	0000000000		
X-X	33	73062130	Screw M5x6 -A2-70 (In6Rd)	6.000	ST	0000000000	0000000000		
	34	66102160	Carbon brush set	2.000	ZSA	0000000000	0000000000	AMER	
	34	66102390	Carbon brush set ATAS	2.000	ST	0000000000	0000000000	ATAS	
	35	73030630	Sheet metal screw ST3,5X16-ST-A2R (IN6R	3.000	ST	0000000000	0000000000		
X-	65	69063330	Disk pad	1.000	ST	0000021402	0000000000		VERSION 2
	100	66101020	Carbon brush set	2.000	ZSA	0000000000	0000000000		

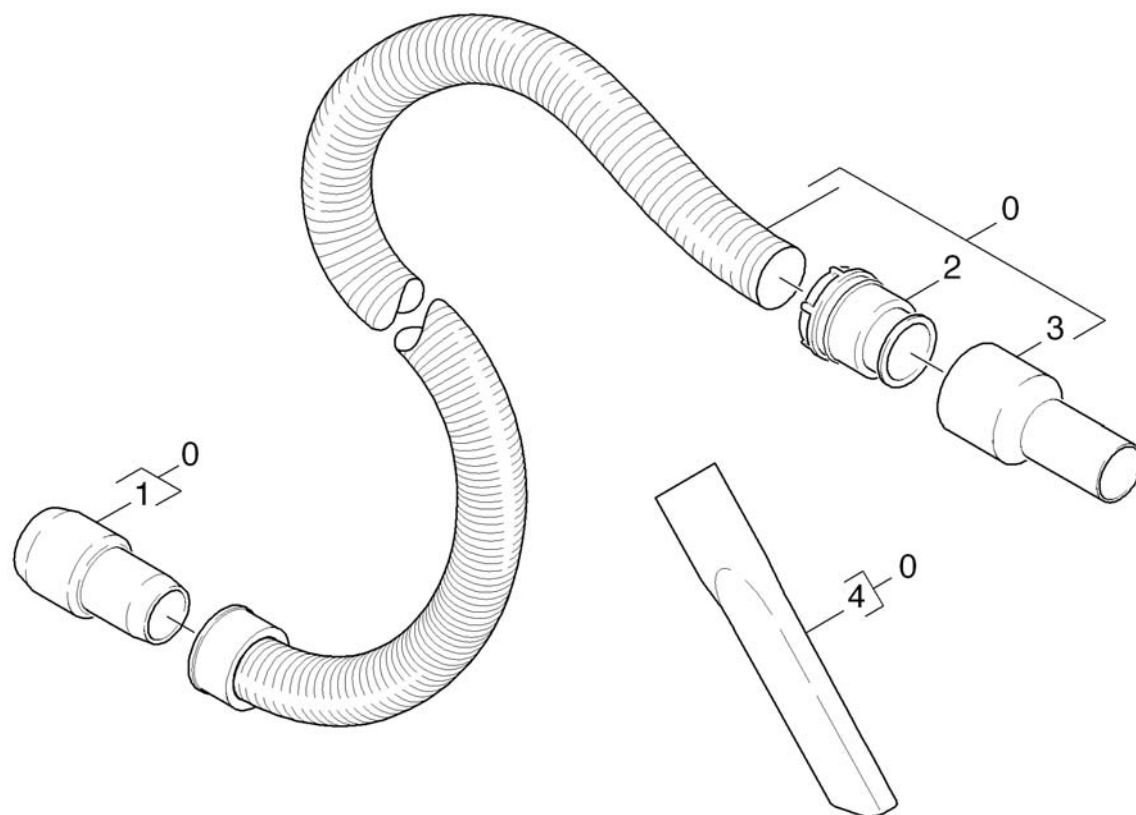


82 Top part (01628580)

ET/VT	pos	Article no.	Description	Quantity	Selling Unit	from ser.nr.	up to ser.nr.	Fußnotentext
	1	73043950	Hexagonal head screw M8x16-8.8-A2E ISO	8.000	ST	0000000000	0000000000	
	2	73120040	Washer 8 -200HV-A3E ISO 7090	10.000	ST	0000000000	0000000000	
	3	50667590	Cover Disc-Kopf	1.000	ST	0000000000	0000000000	
	4	63885460	Hose clip	2.000	ST	0000000000	0000000000	
	5	63881940	Hose DN 7	1.000	M	0000000000	0000000000	TO ORDER AS CUT GOODS
X-X	6	63884230	Angle bushing 1/4"	2.000	ST	0000000000	0000000000	
	8	63898740	T-Hose nozzle	1.000	ST	0000000000	0000000000	
	9	53163750	Bolt	4.000	ST	0000000000	0000000000	
	10	50046970	Strap	2.000	ST	0000000000	0000000000	
	12	73120050	Washer 10-200HV-A3E ISO 7090	3.000	ST	0000000000	0000000000	
X-X	13	73163420	Cotter 3,2x20 -St-A2E ISO 1234	3.000	ST	0000000000	0000000000	
	14	73162230	Bolt B10,0X 28-ST-A2E ISO 2341	3.000	ST	0000000000	0000000000	
	15	54812630	Lever BD-TRIKE	1.000	ST	0000000000	0000000000	
	17	55150820	Roller	2.000	ST	0000000000	0000000000	
	18	53163760	Bolt	2.000	ST	0000000000	0000000000	
	19	73110040	Hexagon nut M8 -8-A3E ISO 4032	2.000	ST	0000000000	0000000000	
	20	53946210	Splash-proof profile	1.000	ST	0000000000	0000000000	
Positionstext: / 1.161-210.0								
X-X	20	53943800	Splash-proof profile	1.000	ST	0000000000	0000000000	
Positionstext: / 1.161-202.0 / -204.0 / -212.0								
X-X	21	63898760	Hose clip	1.000	ST	0000000000	0000000000	
	23	63882480	Hose DN12,5	1.000	M	0000000000	0000000000	TO ORDER AS CUT GOODS
X-	24	73730190	Hose clip A 10-16x9-W4 DIN3017	4.000	ST	0000000000	0000000000	
	26	54812620	Lever BD-TRIKE	1.000	ST	0000000000	0000000000	
	27	50486160	Sheet metal component	2.000	ST	0000000000	0000000000	

82 Top part (01628580)

ET/VT	pos	Article no.	Description	Quantity	Selling Unit	from ser.nr.	up to ser.nr.	Fußnotentext
X-	28	50670350	Covering cap Blanko	1.000	ST	0000000000	0000000000	



100 Suction hose (01643460)

ET/VT	pos	Article no.	Description	Quantity	Selling Unit	from ser.nr.	up to ser.nr.
	0	44440150	Suction hose accessories	1.000	ST	0000000000	0000000000
	1	54530550	Connecting sleeve	1.000	ST	0000000000	0000000000
	2	69020310	Threaded ring DN32	1.000	ST	0000000000	0000000000
	3	69020300	Sleeve NW35	1.000	ST	0000000000	0000000000
X-X	4	69062400	Crevice nozzle DN35	1.000	ST	0000000000	0000000000