

Spare parts list
(5.958-773.0) Spare parts list BD 530 BAT

Table of contents

Spare parts list BD 530 BAT (5.958-773.0)	6
10 Cover and motor.....	7
20 Appliance individual parts BD 530 BAT	11
21 Control panel BD 530 BAT	12
22 Control panel BD 530 BAT	15
23 Handhold BD 530 BAT	19
24 Handhold	22
30 Chassis.....	25
40 Switch box	29
50 Suction mechanism	32
51 Bracket suction bar	33
52 Suction bar	35
40 Add-on kit support wheels suction bar (2.639-561.0)	38
1 Spare parts list support wheels (0.082-417.0)	39
10 Support wheels	40
53 Suction bar	42
54 Suction bar	44
1 Suction bar straight 850mm (4.777-406.0)	46
600 Spare parts list suction bar straight 85	47
10 Suction bar straight 850mm	48
2 Suction bar curved 850mm (4.777-416.0)	50
600 Spare parts list suction bar curved 850m	51
10 Suction bar curved 850mm	52
60 Power brush BD	54
61 Power brush BD	55
62 Power brush BD	60
63 Power brush BD	66
70 Add-on kit carriage.....	70
0 Add-on kit carriage BD530 (2.640-099.0)	71
999 Spare parts list add-on kit carriage BD	72
10 Individual parts	73
0 Add-on kit carriage BD 530 XL (2.640-100.0)	75
999 Spare parts list add-on kit carriage BD	76
10 Individual parts	77

Spare parts list BD 530 BAT (5.958-773.0)

Pos	Name	Qty.	Unit	from ser.nr.	up to ser.nr.	var. information
10	Cover and motor	1.000	ST	0000000000	0000000000	
20	Appliance individual parts BD 530 BAT	1.000	ST	0000000000	0000000000	
30	Chassis	1.000	ST			
40	Switch box	1.000	ST		<35011	BAT
50	Suction mechanism	1.000	ST	0000000000	0000000000	
60	Power brush BD	1.000	ST	0000000000	0000000000	
70	Add-on kit carriage	1.000	ST			

10 Cover and motor

ET/VT (spare/wear parts)	Pos	Material #	Name	Qty.	Unit	from ser.nr.	up to ser.nr.	var. information	Footnote text
	0	4.605-073.0	Housing low noise	1.000	ST	0000000000	0000000000		
Position text: 1.127-351 / -379.0 / -451.0									
	0	4.605-067.0	Housing and cover	1.000	ST	0000000000	0000000000		
Position text: 1.127-151.0 / -171.0 / -251.0 / -271.0 / -371.0 / -471.0 / -476.0 / -682.0									
	1	5.063-766.0	Cover	1.000	ST	0000000000	0000000000		
X-X	3	6.366-043.0	Sealing profile	2.000	M	0000000000	0000000000		
X	4	5.363-344.0	Joint ring	1.000	ST	0000000000	0000000000		
X	5	5.585-058.0	Float BR/BD 530	1.000	ST	0000000000	0000000000		
	6	5.115-754.0	Washer	1.000	ST	0000000000	0000000000		
X	7	7.303-107.0	Screw 5x16 -10.9-P2R (K-In6Rd)	3.000	ST	0000000000	0000000000		
X-X	8	5.363-574.0	Joint ring	1.000	ST	0000000000	0000000000		
	9	5.308-056.0	Stud bolt	3.000	ST	0000000000	0000000000		
X-X	10	6.339-021.0	Rubber buffer 2xM6-D20 H15	3.000	ST	0000000000	0000000000		
	11	7.311-541.0	Hexagon nut M 6-8-A2E EN 1661	3.000	ST	0000000000	0000000000		
X-X	12	6.490-308.0	Vacuum motor 24 V	1.000	ST	0000000000	0000000000	ROTAFIL	
	13	6.641-474.0	Cable tape 8-210	1.000	ST	0000000000	0000000000		
	14	6.388-949.0	SUCTION TUBE	1.000	ST	0000000000	0000000000		
Position text: 1.127-351.0 / -379.0 / -451.0									
	14	6.390-215.0	Soundproof hose	1.000	ST	0000000000	0000000000		
Position text: 1.127-151.0 / -171.0 / -251.0 / -271.0 / -371.0 / -471.0 / -476.0 / -682.0									
	15	6.647-543.0	Series connector 6,0mm ²	2.000	ST				
X	16	5.305-204.0	Shaped screw	1.000	ST	0000000000	0000000000		
	17	7.306-049.0	Cylinder head screw M 8x45-8.8-A2E ISO	2.000	ST	0000000000	0000000000		
X-X	18	4.390-007.0	Suction hose complete	1.000	ST				STANDARD
X-X	18	4.390-002.0	Suction hose complete oil resistant	1.000	ST	0000000000	0000000000		OIL RESISTANT

10 Cover and motor

ET/VT (spare/wear parts)	Pos	Material #	Name	Qty.	Unit	from ser.nr.	up to ser.nr.	var. information	Footnote text
	19	6.368-295.0	Protecting cap	2.000	ST	0000000000	0000000000		
	20	5.001-752.0	Plate	1.000	ST	0000000000	0000000000		VERSION 1
	24	6.373-692.0	Pipe clip D 63	1.000	ST	0000000000	0000000000		
	25	5.637-001.0	Sound insulation for sheet metal compone	1.000	ST	0000000000	0000000000		
Position text: 1.127-351.0 / -379.0 / -451.0									
X-X	26	7.306-031.0	Screw M 6x16-A2-70 DIN 7984	1.000	ST	0000000000	0000000000		
	27	6.362-089.0	O-Ring seal 40,0 X 3,0	1.000	ST	0000000000	0000000000		
	28	5.008-301.0	Sheet metal component	1.000	ST	0000000000	0000000000		
	29	5.001-813.0	Plate	1.000	ST	0000000000	0000000000		VERSION 2
	30	5.363-420.0	Seal	1.000	ST	0000000000	0000000000		VERSION 2
X-X	31	6.647-081.0	Cable tape	2.000	ST	0000000000	0000000000		
Position text: 1.127-351.0 / -379.0 / -451.0									
	32	7.312-017.0	Washer 8-A2 ISO 7089	1.000	ST	0000000000	0000000000		
	33	6.362-385.0	O-Ring seal 26,0 X 2,5-NBR 70	1.000	ST	0000000000	0000000000		
	34	5.128-352.0	Tube	1.000	ST	0000000000	0000000000		
	35		Stockpiling discontinued	1.000	ST	0000000000	0000035011		
	35	5.060-992.0	Housing red	1.000	ST	0000000000	0000000000		
Position text: 1.127-476.0									
	36	6.610-297.0	Carbon brush set only for replacement	1.000	ZSA	0000000000	0000000000	EMB	
	36	6.610-022.0	Carbon brush	2.000	ST			ROTAFIL	
	37	6.273-145.0	Cord cellular rubber	1.000	ZST	0000000000	0000000000		
	38	5.382-594.0	Label water tap	1.000	ST	0000000000	0000000000		
	39	5.382-646.0	Label BD530 BAT	1.000	ST	0000000000	0000000000		
Position text: 1.127-151.0 / -171.0 / -351.0 / -371.0 / -379.0 / -682.0									
	40	5.382-802.0	Label BD530 XL BAT	1.000	ST	0000000000	0000000000		
Position text: 1.127-251.0 / -271.0 / -451.0 / -471.0									

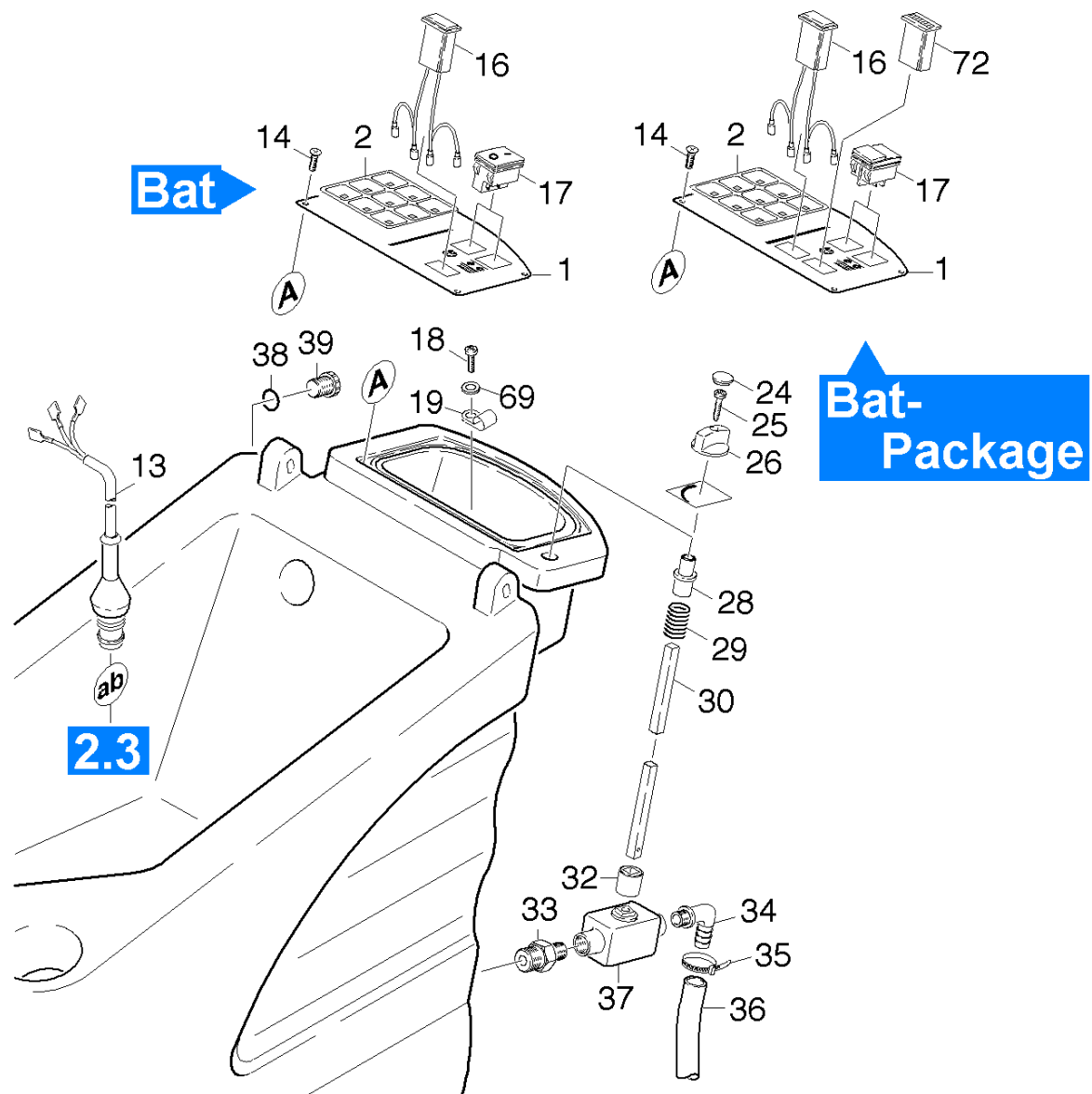
10 Cover and motor

ET/VT (spare/wear parts)	Pos	Material #	Name	Qty.	Unit	from ser.nr.	up to ser.nr.	var. information	Footnote text
	41	7.304-393.0	Hexagonal head screw M 8x10-8.8-A2E ISO	2.000	ST	0000000000	0000000000		

Position text: 1.127-351.0 / -379.0 / -451.0

20 Appliance individual parts BD 530 BAT

Pos	Name	Qty.	Unit	from ser.nr.	up to ser.nr.
21	Control panel BD 530 BAT	1.000	ST		<35011
22	Control panel BD 530 BAT	1.000	ST	>35012	
23	Handhold BD 530 BAT	1.000	ST		<35011
24	Handhold	1.000	ST	>35012	

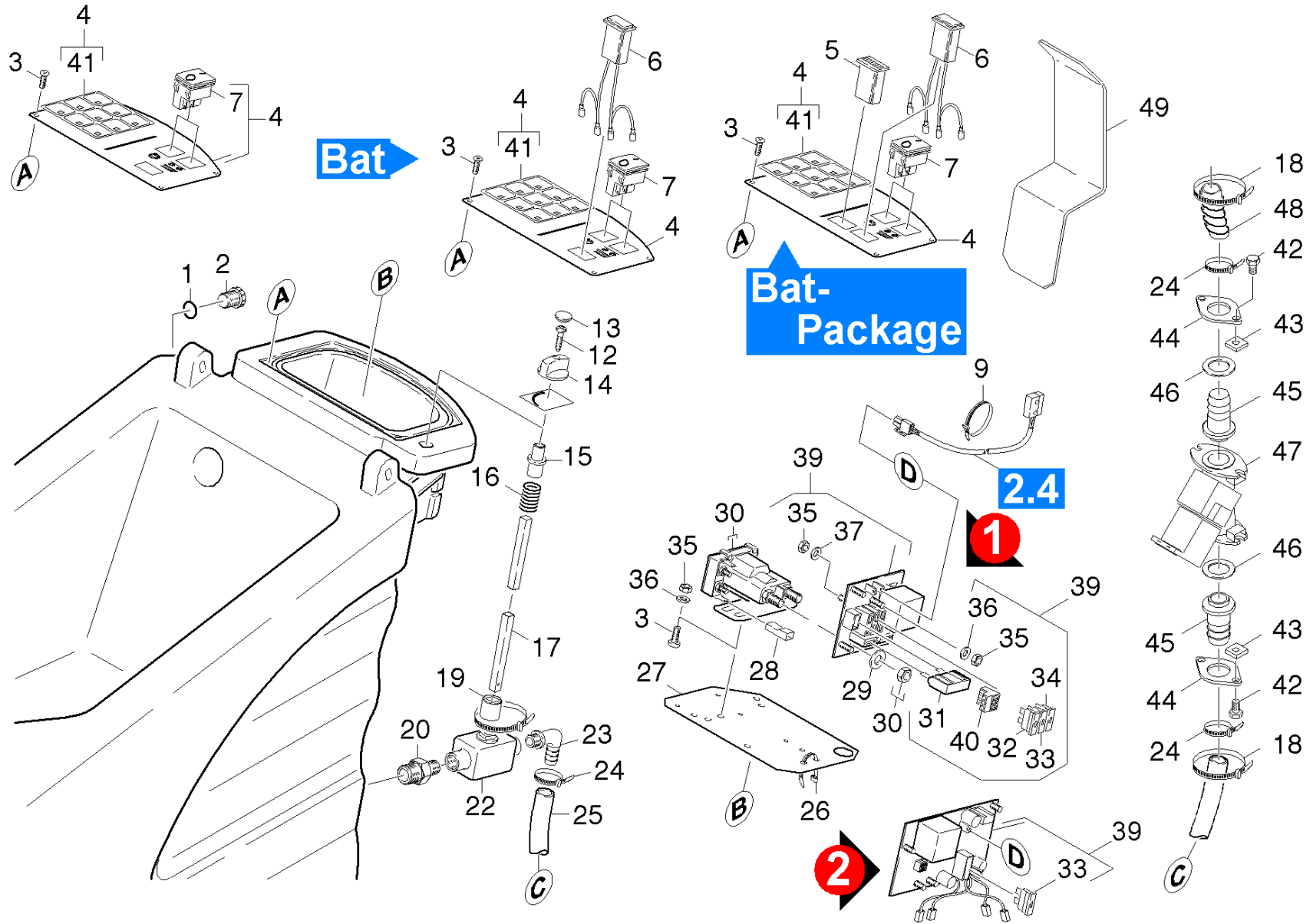


21 Control panel BD 530 BAT

ET/VT (spare/wear parts)	Pos	Material #	Name	Qty.	Unit	from ser.nr.	up to ser.nr.	var. information	Footnote text
	1	4.841-118.0	Control panel	1.000	ST	0000000000	0000000000	BAT	
	1	5.841-351.0	Control panel reworking	1.000	ST	0000000000	0000000000	BAT-PACKAGE	
	2	5.380-209.0	Label	1.000	ST	0000000000	0000000000		
	13	4.839-216.0	Electrical small parts	1.000	ST	0000000000	0000000000		
	14	7.303-129.0	Screw 4x16 -10.9-R2R (K-In6Rd)	1.000	ST	0000000000	0000000000		
	16	6.682-949.0	Battery monitoring 24 V BR/BD530 BAT	1.000	ST				
Position text: /1.127-351.0 / -371.0 / -379.0 / -451.0/ -471.0 / -476.0 / -682.0									
	16	6.682-395.0	Battery monitoring 24 V BR/BD530 BAT	1.000	ST	0000000000	0000000000		
Position text: / 1.127-151.0 / -171.0 / -251.0 / -271.0									
	17	6.630-385.0	Switch	2.000	ST	0000000000	0000000000		
	18	6.303-155.0	Screw 5x16	1.000	ST	0000000000	0000000000		
	19	6.373-670.0	Pipe clamp	1.000	ST	0000000000	0000000000		
	24	6.368-076.0	Ornamental hub cap D10/D12	1.000	ST	0000000000	0000000000		
	25	7.303-065.0	Sheet metal screw ST3,5X25-ST-A2R (IN6R	1.000	ST	0000000000	0000000000		
	26	5.321-509.0	Handhold	1.000	ST	0000000000	0000000000		
	28	5.470-034.0	Coupler	1.000	ST	0000000000	0000000000		
	29	5.332-290.0	Helical spring	1.000	ST	0000000000	0000000000		
	30	5.107-195.0	Bar	1.000	ST	0000000000	0000000000		
	32	5.470-033.0	Coupler	1.000	ST	0000000000	0000000000		
	33	5.409-266.0	Double nipple G3/8"-M12	1.000	ST	0000000000	0000000000		
	34	6.390-002.0	Angle bushing	1.000	ST	0000000000	0000000000		
	35	6.388-545.0	Hose clip	2.000	ST	0000000000	0000000000		
	36	6.388-248.0	Hose DN12,5	1.000	M	0000000000	0000000000		TO ORDER AS CUT GOODS
X	37	6.412-289.0	Ball valve	1.000	ST	0000000000	0000000000		
	38	6.362-151.0	O-Ring d. 10 x 2 NBR 70	1.000	ST	0000000000	0000000000		

21 Control panel BD 530 BAT

ET/VT (spare/wear parts)	Pos	Material #	Name	Qty.	Unit	from ser.nr.	up to ser.nr.	var. information	Footnote text
	39	6.382-001.0	Screw plug	1.000	ST	0000000000	0000000000		
	69	7.312-278.0	Washer 5-200HV-A2E ISO7093-1	1.000	ST	0000000000	0000000000		
	72	6.682-458.0	Hour counter 10-50V DC	1.000	ST	0000000000	0000000000		



22 Control panel BD 530 BAT

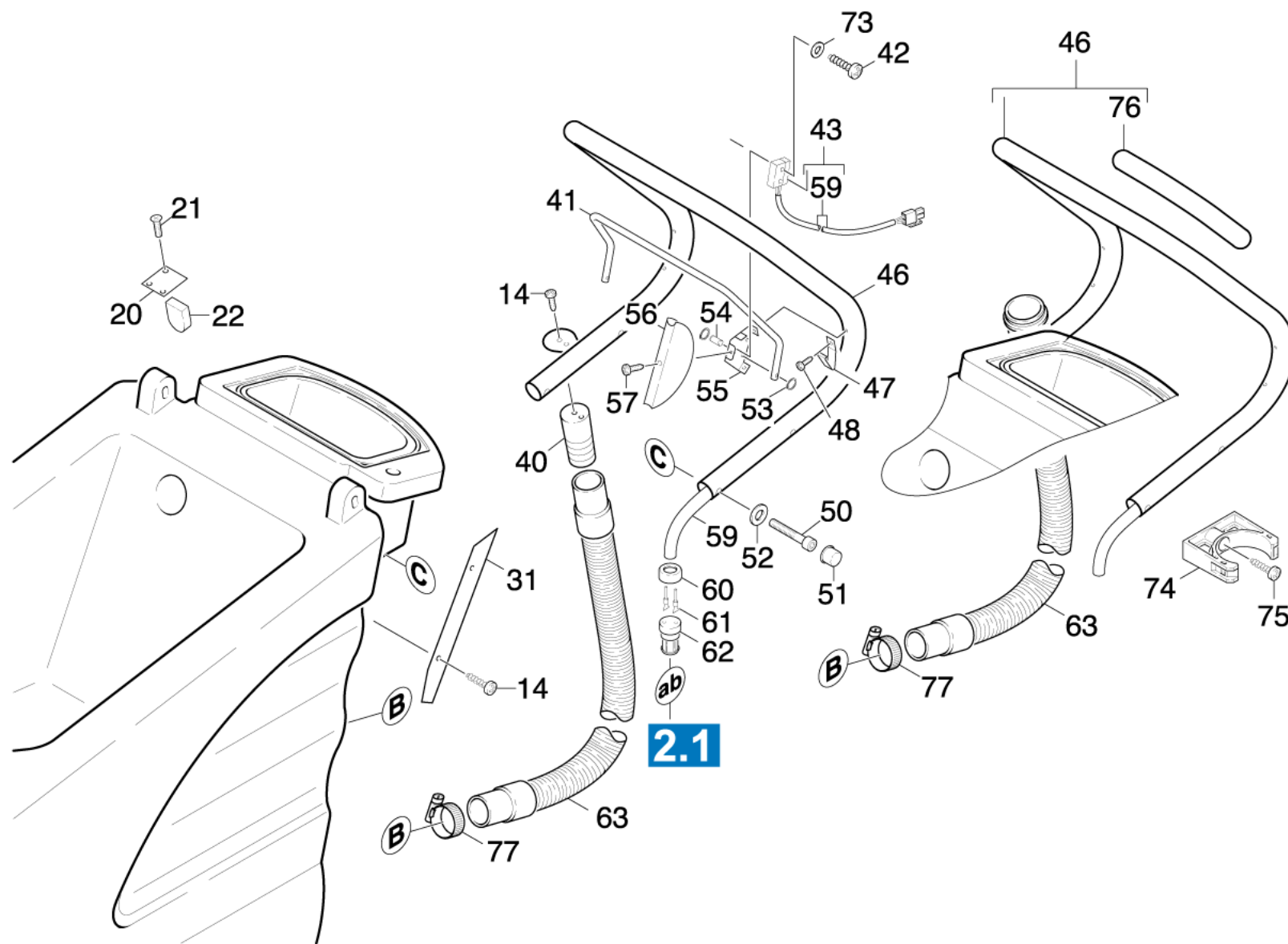
ET/VT (spare/wear parts)	Pos	Material #	Name	Qty.	Unit	from ser.nr.	up to ser.nr.	var. information	Footnote text
	1	6.362-010.0	Joint ring 7x20x3	1.000	ST	0000000000	0000000000		
	2	6.382-003.0	Cap closure	1.000	ST	0000000000	0000000000		
	3	7.306-071.0	Screw M5x10 -8.8-R2R (In6Rd)	6.000	ST	0000000000	0000000000		
	4	4.841-120.0	Control panel	1.000	ST	0000000000	0000000000	BAT-PACKAGE	
	4	4.841-180.0	Control panel complete 530 Ratio	1.000	ST				
	4	4.841-118.0	Control panel	1.000	ST	0000000000	0000000000	BAT	
	5	6.681-088.0	Hour counter	1.000	ST	0000000000	0000000000		
	6	6.682-395.0	Battery monitoring 24 V BR/BD530 BAT	1.000	ST	0000000000	0000000000		
Position text: / 1.127-151.0 / -171.0 / -251.0 / -271.0									
	6	6.682-949.0	Battery monitoring 24 V BR/BD530 BAT	1.000	ST				
Position text: /1.127-351.0 / -371.0 / -379.0 / -451.0/ -471.0 / -476.0 / -682.0									
	7	6.630-385.0	Switch	2.000	ST	0000000000	0000000000		
	9	6.641-458.0	Cable tape	1.000	ST	0000000000	0000000000		
	12	7.303-065.0	Sheet metal screw ST3,5X25-ST-A2R (IN6R	1.000	ST	0000000000	0000000000		
	13	6.368-076.0	Ornamental hub cap D10/D12	1.000	ST	0000000000	0000000000		
	14	5.321-509.0	Handhold	1.000	ST	0000000000	0000000000		
	15	5.470-034.0	Coupler	1.000	ST	0000000000	0000000000		
	16	5.332-290.0	Helical spring	1.000	ST	0000000000	0000000000		
	17	5.107-195.0	Bar	1.000	ST	0000000000	0000000000		
X-X	18	6.641-464.0	Cable tie	6.000	ST	0000000000	0000000000		
	19	5.470-033.0	Coupler	1.000	ST	0000000000	0000000000		
	20	5.409-306.0	Double nipple	1.000	ST	0000000000	0000000000		
X	22	6.412-289.0	Ball valve	1.000	ST	0000000000	0000000000		
	23	6.390-002.0	Angle bushing	1.000	ST	0000000000	0000000000		
	24	6.388-545.0	Hose clip	1.000	ST	0000000000	0000000000		

22 Control panel BD 530 BAT

ET/VT (spare/wear parts)	Pos	Material #	Name	Qty.	Unit	from ser.nr.	up to ser.nr.	var. information	Footnote text
	25	6.388-248.0	Hose DN12,5	2.000	M	0000000000	0000000000		TO ORDER AS CUT GOODS
	26	6.641-463.0	Cable tape	1.000	ST	0000000000	0000000000		
	27	5.007-204.0	Plate	1.000	ST	0000000000	0000000000		
	28	6.647-748.0	Insulation sheath	11.000	ST	0000000000	0000000000		
	29	7.312-004.0	Washer 8 -200HV-A3E ISO 7090	4.000	ST	0000000000	0000000000		
X-X	30	6.633-389.0	Relay	1.000	ST	0000000000	0000000000		
	31	6.644-277.0	Fuse insert -60A	1.000	ST	0000000000	0000000000		
	32	7.644-006.0	Fuse insert C 3 DIN 72581-3	1.000	ST	0000000000	0000000000		
	33	7.644-018.0	Fuse insert C15 DIN 72581-3	1.000	ST	0000000000	0000000000		
	34	7.644-040.0	Fuse insert C30 DIN 72581-3	1.000	ST	0000000000	0000000000		
	35	7.311-002.0	Hexagon nut M5 -8-A2E ISO 4032	9.000	ST	0000000000	0000000000		
	36	7.312-002.0	Washer 5-200HV-A3E ISO 7090	3.000	ST	0000000000	0000000000		
	37	7.312-278.0	Washer 5-200HV-A2E ISO7093-1	4.000	ST	0000000000	0000000000		
	39	6.682-570.0	Circuit board distributor	1.000	ST	0000000000	0000000000		
	40	6.646-471.0	Plug triple-pole	1.000	ST	0000000000	0000000000		
	41	5.380-209.0	Label	1.000	ST	0000000000	0000000000		
	42	7.306-206.0	Screw M4x10 -A2-70 ISO 14583	4.000	ST	0000000000	0000000000		
Position text: 1.127-476.0									
	43	7.311-569.0	Square nut M4 -04-A2E DIN 562	4.000	ST	0000000000	0000000000		
Position text: 1.127-476.0									
	44	5.122-428.0	Flange	2.000	ST	0000000000	0000000000		
Position text: 1.127-476.0									
	45	5.443-488.0	Hose stem	2.000	ST	0000000000	0000000000		
Position text: 1.127-476.0									
	46	6.641-654.0	Flat gasket 13X20	2.000	ST	0000000000	0000000000		
Position text: 1.127-476.0									

22 Control panel BD 530 BAT

ET/VT (spare/wear parts)	Pos	Material #	Name	Qty.	Unit	from ser.nr.	up to ser.nr.	var. information	Footnote text
	47		Stockpiling discontinued	1.000	ST	0000000000	0000000000		
Position text: 1.127-476.0									
X-X	48	6.390-892.0	Spiral hose NW12	1.000	M	0000000000	0000000000		TO ORDER AS CUT GOODS
Position text: 1.127-476.0									
	49		Covering cap	1.000	ST	0000000000	0000000000		
Position text: 1.127-476.0									

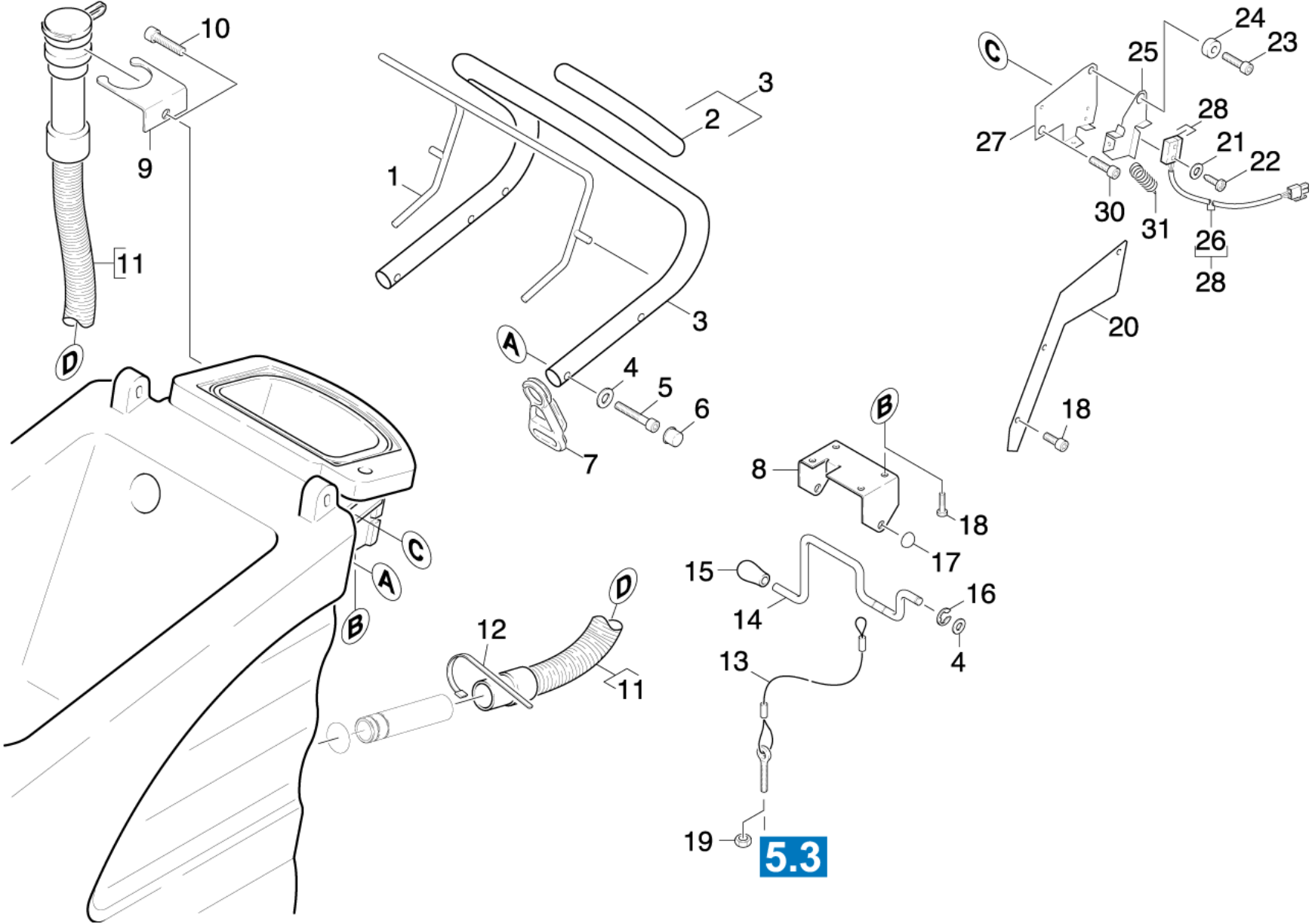


23 Handhold BD 530 BAT

Pos	Material #	Name	Qty.	Unit	from ser.nr.	up to ser.nr.	Footnote text
14	7.303-129.0	Screw 4x16 -10.9-R2R (K-In6Rd)	3.000	ST	0000000000	0000000000	
20	5.004-837.0	Strap RBE4/ SPUR 3820	1.000	ST	0000000000	0000000000	
21	7.303-125.0	Countersunk screw 4x16 -10.9-R2R (In6Rd)	3.000	ST	0000000000	0000000000	
22	5.365-220.0	Seal stop	2.000	ST	0000000000	0000000000	
31	5.001-716.0	Plate	1.000	ST	0000000000	0000000000	
40	5.030-350.0	Moulded part	1.000	ST	0000000000	0000014814	
41	5.034-554.0	Retaining bracket cabinet	1.000	ST	0000000000	0000000000	
42	7.303-386.0	Sheet metal screw ST2,2X13,0-ST-A2E ISO	2.000	ST	0000000000	0000000000	
43	4.744-154.0	Micro switch	1.000	ST	0000000000	0000000000	
46	4.321-134.0	Handhold	1.000	ST	0000014815	0000000000	
46	4.321-099.0	Handhold	1.000	ST	0000000000	0000014814	
47	5.337-031.0	Plate spring stop	1.000	ST	0000000000	0000000000	
48	7.303-031.0	Screw M4x10 -St-P2R (In6Rd)	4.000	ST	0000000000	0000000000	
50	7.306-044.0	Cylinder head screw M8x35 -8.8-A2E ISO4	4.000	ST	0000000000	0000000000	
51	6.368-295.0	Protecting cap	4.000	ST	0000000000	0000000000	
52	7.312-004.0	Washer 8 -200HV-A3E ISO 7090	4.000	ST	0000000000	0000000000	
53	7.343-305.0	Lock washer 3,2-A2 DIN 6799	4.000	ST	0000000000	0000000000	
54	5.316-862.0	Bolt stop	2.000	ST	0000000000	0000000000	
55	5.044-120.0	Holder storage cabinet	2.000	ST	0000000000	0000000000	
56	5.031-541.0	Covering cap	1.000	ST	0000000000	0000000000	
57	7.303-135.0	Sheet metal screw ST4,2X 6,5-ST-A2R (IN	2.000	ST	0000000000	0000000000	
59	6.642-003.0	Insulating hose 4	1.000	M	0000000000	0000000000	TO ORDER AS CUT GOODS
60	6.647-994.0	Cap rubber two-core	1.000	ST	0000000000	0000000000	
61	6.646-390.0	Pin contact 0,3-0,5mm ²	3.000	ST	0000000000	0000000000	QUANTITY ACCORDING TO DEMAND
62	6.646-388.0	Plug housing two-pole	1.000	ST	0000000000	0000000000	

23 Handhold BD 530 BAT

Pos	Material #	Name	Qty.	Unit	from ser.nr.	up to ser.nr.	Footnote text
63	6.390-177.0	Drain hose DN32	1.000	ST	0000000000	0000014769	
63	4.446-010.0	Drain hose BR/BD 530	1.000	ST	0000000000	0000000000	FOR ASA 80
73	7.312-067.0	Washer 4-A2 ISO 7089	2.000	ST	0000000000	0000000000	
74	6.373-692.0	Pipe clip D 63	1.000	ST	0000014815	0000000000	
75	7.306-119.0	Cylinder head screw M8x12 -A2-70 ISO 47	1.000	ST	0000014815	0000000000	
76	6.390-269.0	Hose	1.000	M	0000014815	0000000000	TO ORDER AS CUT GOODS
77	6.388-549.0	Hose clip	1.000	ST	0000000000	0000000000	

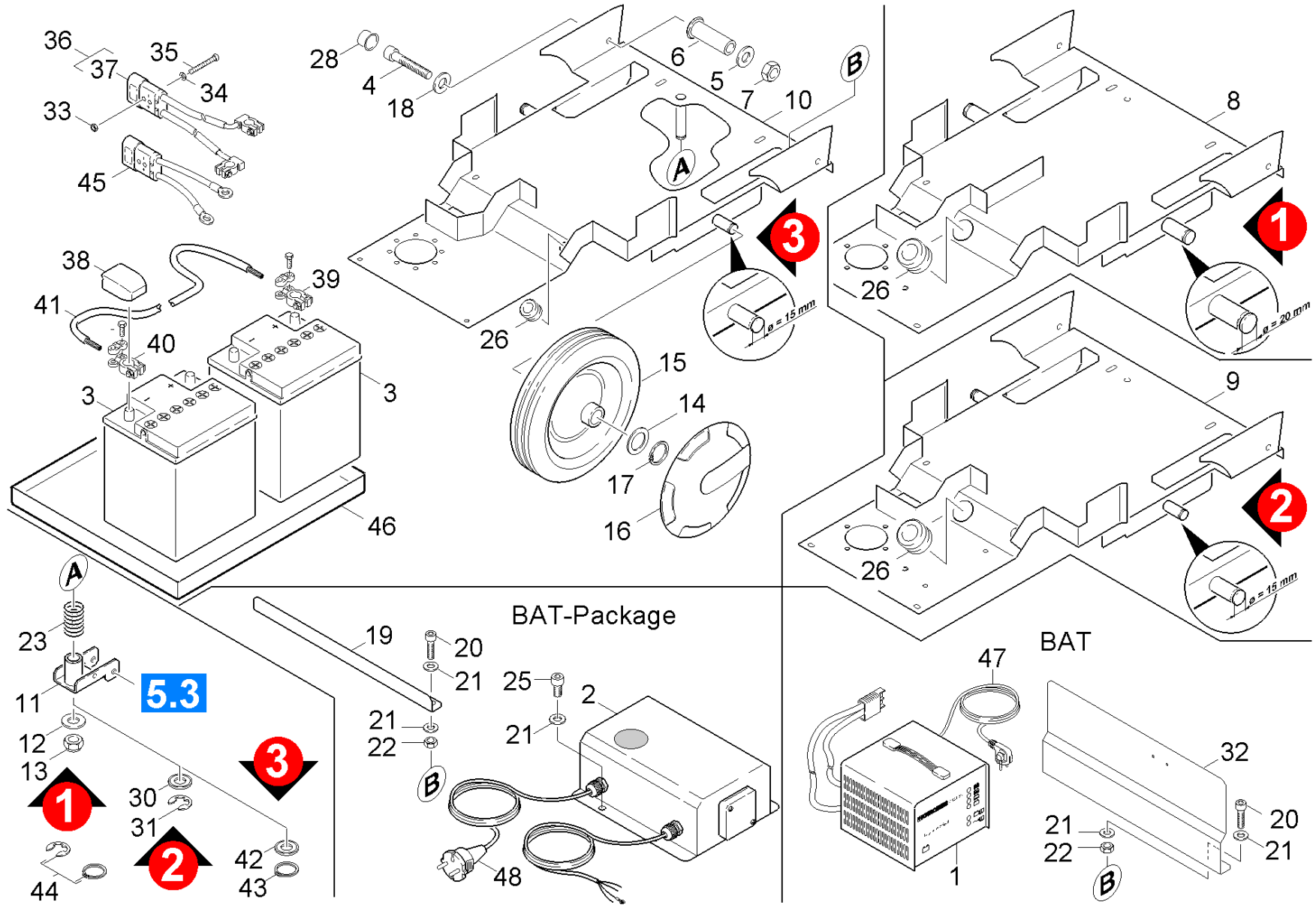


24 Handhold

ET/VT (spare/wear parts)	Pos	Material #	Name	Qty.	Unit	from ser.nr.	up to ser.nr.	var. information	Footnote text
	1	4.034-107.0	Retaining bracket complete	1.000	ST	0000000000	0000000000		
	2	6.390-269.0	Hose	1.000	M	0000000000	0000000000		TO ORDER AS CUT GOODS
	3	4.321-135.0	Handhold	1.000	ST	0000000000	0000000000		
	4	7.312-017.0	Washer 8-A2 ISO 7089	10.000	ST	0000000000	0000000000		
	5	7.306-044.0	Cylinder head screw M8x35 -8.8-A2E ISO4	4.000	ST	0000000000	0000000000		
	6	6.368-295.0	Protecting cap	4.000	ST	0000000000	0000000000		
	7	6.641-776.0	Strain relief	1.000	ST	0000000000	0000000000		
	8	5.044-298.0	Holder	1.000	ST	0000000000	0000000000		
	9	5.059-011.0	Sheet metal component	1.000	ST	0000000000	0000000000		
	10	7.306-119.0	Cylinder head screw M8x12 -A2-70 ISO 47	1.000	ST	0000000000	0000000000		
X-X	11	6.391-994.0	Drain hose DN 32	1.000	ST	0000000000	0000000000		
	12	6.388-549.0	Hose clip	2.000	ST	0000000000	0000000000		
	13	4.172-016.0	Rope suction beam retraction	1.000	ST	0000000000	0000000000		
	14	4.034-222.0	Retaining bracket complete	1.000	ST	0000000000	0000000000		
	15	6.321-154.0	Push button D 8	1.000	ST	0000000000	0000000000	VERSION 1	WITHOUT THREAD
	15	5.034-930.0	Button retaining bracket	1.000	ST			VERSION 2	WITH THREAD
	16	7.343-300.0	Lock washer 7-A2 DIN 6799	2.000	ST	0000000000	0000000000		
	17	6.343-132.0	Lock washer 8	3.000	ST	0000000000	0000000000		
X	18	7.303-107.0	Screw 5x16 -10.9-P2R (K-In6Rd)	7.000	ST	0000000000	0000000000		
	19	7.311-224.0	Hexagon nut M 8-04-A2E ISO 4035	1.000	ST	0000000000	0000000000		
	20	5.007-007.0	Plate	1.000	ST	0000000000	0000000000		
	21	7.303-386.0	Sheet metal screw ST2,2X13,0-ST-A2E ISO	2.000	ST	0000000000	0000000000		
	22	7.312-280.0	Washer 3 -200HV-A2E ISO7093-1	2.000	ST	0000000000	0000000000		
	23	7.306-090.0	Screw M6x16 -8.8-R3R (In6Rd)	1.000	ST	0000000000	0000000000		
	24	5.115-860.0	Washer	1.000	ST	0000000000	0000000000		

24 Handhold

ET/VT (spare/wear parts)	Pos	Material #	Name	Qty.	Unit	from ser.nr.	up to ser.nr.	var. information	Footnote text
	25	5.048-878.0	Sheet metal component	1.000	ST	0000000000	0000000000		
	26	6.642-003.0	Insulating hose 4	1.000	M	0000000000	0000000000		TO ORDER AS CUT GOODS
	27	5.048-904.0	Sheet metal component	1.000	ST	0000000000	0000000000		
	28	4.744-154.0	Micro switch	1.000	ST	0000000000	0000000000		
	30	7.306-089.0	Screw M6x12 -8.8-R2R (In6Rd)	1.000	ST	0000000000	0000000000		
	31	6.330-011.0	Extension spring	1.000	ST	0000000000	0000000000		



30 Chassis

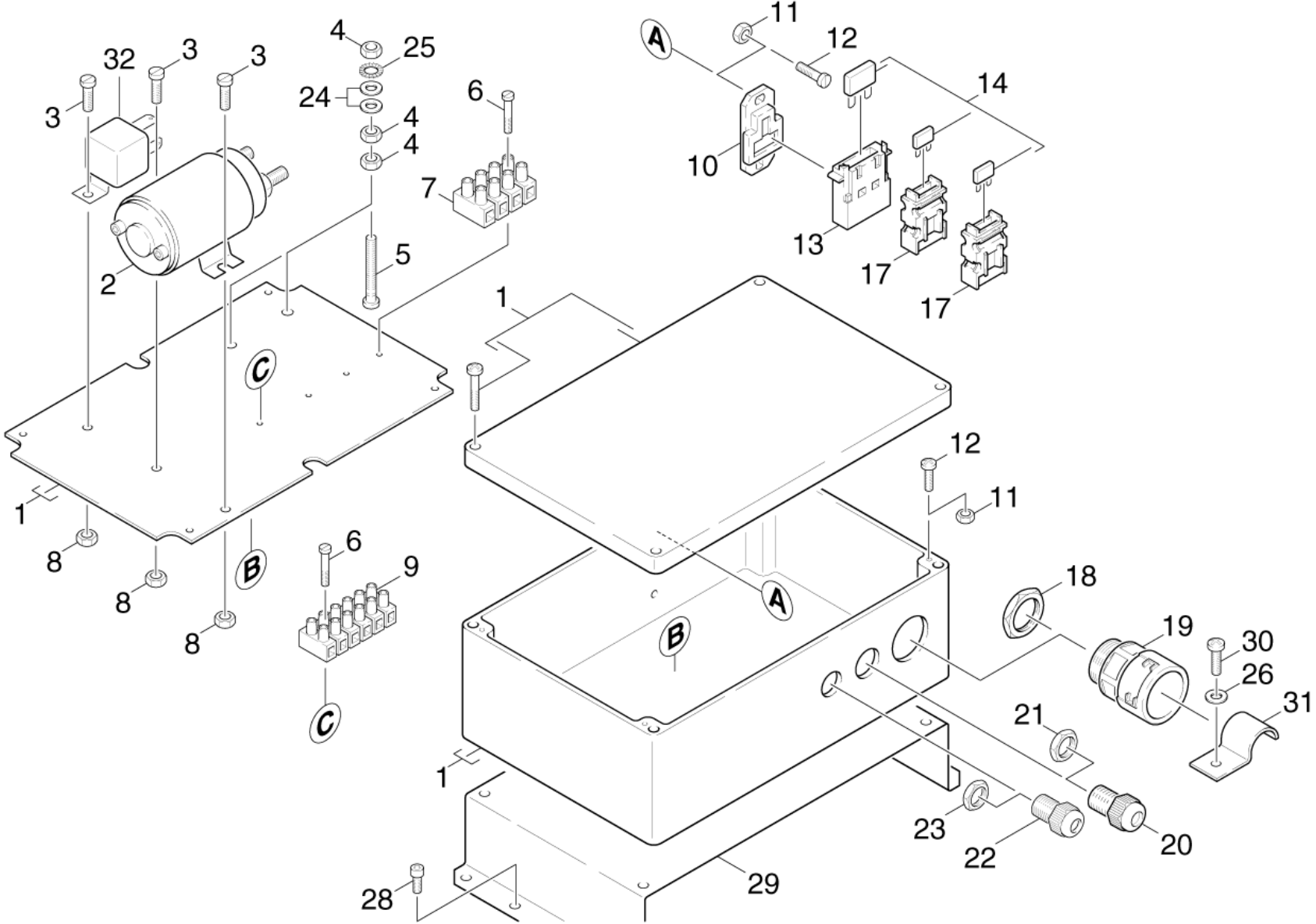
ET/VT (spare/wear parts)	Pos	Material #	Name	Qty.	Unit	from ser.nr.	up to ser.nr.	var. information	Footnote text
	1	6.654-067.0	Battery charger 24V	1.000	ST				LOW-MAINTENANCE
	1	6.654-179.0	Battery charger	1.000	ST			90-240V	
Position text: //1.127-371.0									
	1	6.654-227.0	Battery charger maintenance free 24V - R	1.000	ST			/""Hoppecke""	MAINTENANCE
	1	6.654-102.0	Battery charger 24V	1.000	ST				MAINTENANCE
	2	6.654-094.0	Battery charger maintenance free 24V	1.000	ST				
Position text: //1.127-351.0 / -451.0 / -476.0									
	3	2.882-678.0	Conversion kit batterys TB 80 BR/BD 530	2.000	ST			70Ah / ""Hoppecke""	MAINTENANCE
	3	6.654-097.0	Battery low-maintenance	2.000	ST			80Ah	LOW-MAINTENANCE
Position text: //1.127-371.0 / -379.0 / -471.0									
X-X	3	6.654-093.0	Drive battery 12V 76AH	2.000	ST			76Ah	MAINTENANCE
Position text: //1.127-151.0 / -171.0 / -251.0 / -271.0 / -351.0 / -371.0 / -379.0 / -451.0 / -471.0 / 476.0									
	4	7.306-043.0	Cylinder head screw M8x30 -8.8-A2E ISO	2.000	ST		<13376		VERSION 1
	4	7.306-075.0	Cylinder head screw M 8x 40-8.8-A2E ISO	4.000	ST	>13377			VERSION 2+3
	5	7.312-277.0	Washer 8-200HV-A2E ISO7093-1	4.000	ST				
	6	5.110-680.0	Sleeve	2.000	ST		<13376		VERSION 1
	6	5.110-777.0	Sleeve	2.000	ST	>13377			VERSION 2+3
	7	7.311-004.0	Hexagon nut M8 -8-A3E ISO 4032	2.000	ST				
	8	4.044-008.0	Holder only for replacement	1.000	ST		<13376		
	9	4.044-011.0	Holder	1.000	ST	>13377	<35011		
	10	4.044-014.0	Holder	1.000	ST	>35012			
	11	4.058-087.0	Carrier suction bar	1.000	ST				
	12	7.312-008.0	Washer 12-200HV-A3E ISO 7090	1.000	ST				
	13	7.311-429.0	Hexagon nut M12-04-A2E ISO 10511	1.000	ST				
X-X	14	5.115-255.0	Washer	2.000	ST				VERSION 1

30 Chassis

ET/VT (spare/wear parts)	Pos	Material #	Name	Qty.	Unit	from ser.nr.	up to ser.nr.	var. information	Footnote te
X-X	14	5.115-608.0	Washer	2.000	ST				VERSION 2+3
X-X	15	6.435-356.0	Wheel D200	2.000	ST			VERSION 2/3	OIL RESISTAN
	15	6.435-324.0	Wheel D.200	2.000	ST				VERSION 1
	16	6.435-301.0	Wheel cap neutrally	2.000	ST				
	17	7.343-007.0	Locking ring 20x1,2-FST-RF DIN 471	2.000	ST				VERSION 1
X-X	17	7.343-004.0	Locking ring 15x1-FST-PHR DIN 471	2.000	ST				VERSION 2+3
	18	7.312-004.0	Washer 8 -200HV-A3E ISO 7090	2.000	ST				
	19	5.017-052.0	Angle	1.000	ST				
Position text: //1.127-151.0 / -251.0 / -351.0 / -451.0/ -476.0									
	20	7.306-090.0	Screw M6x16 -8.8-R3R (In6Rd)	2.000	ST				
	21	7.312-003.0	Washer 6 -200HV-A3E ISO 7090	8.000	ST				
	22	7.311-067.0	Hexagon nut M 6-A2-70 ISO 4032	2.000	ST				
	23	5.332-206.0	Helical spring	1.000	ST				
	25	7.306-089.0	Screw M6x12 -8.8-R2R (In6Rd)	4.000	ST				
Position text: //1.127-151.0 / -251.0 / -351.0 / -451.0									
	26	6.641-401.0	Wire protecting sleeve	1.000	ST				VERSION 3
	26	6.641-641.0	Wire protecting sleeve D32	1.000	ST				VERSION 1+2
	28	6.368-295.0	Protecting cap	2.000	ST				
	30	7.312-057.0	Washer 16 -A2 ISO 7090	1.000	ST				
	31	7.343-206.0	Lock washer 12-2.1030 DIN 6799	1.000	ST				
	32	5.017-085.0	Angle	1.000	ST				
Position text: //1.127-171.0 / -271.0 / -371.0 / -471.0/ -682.0									
	33	7.311-000.0	Hexagon nut M3 -8-A2E ISO 4032	2.000	ST				
Position text: //1.127-171.0 / -271.0 / -371.0 / -379.0/ -471.0									
	34	7.312-043.0	Washer 3-A2 ISO 7089	2.000	ST				
Position text: //1.127-171.0 / -271.0 / -371.0 / -379.0/ -471.0									

30 Chassis

ET/VT (spare/wear parts)	Pos	Material #	Name	Qty.	Unit	from ser.nr.	up to ser.nr.	var. information	Footnote te
	35	7.306-055.0	Screw M3x20 -8.8-R2R (In6Rd)	2.000	ST				
Position text: //1.127-171.0 / -271.0 / -371.0 / -379.0/ -471.0									
	36	6.647-990.0	Cable battery complete	1.000	ST				
Position text: //1.127-171.0 / -271.0 / -371.0 / -379.0/ -471.0									
X-X	37	6.646-140.0	Plug two-pole 50A-	1.000	ST				
Position text: //1.127-171.0 / -271.0 / -371.0 / -379.0/ -471.0									
	38	6.654-106.0	Cap	2.000	ST				
Position text: //1.127-151.0 / -251.0 / -351.0 / -451.0/ -476.0									
	39	6.654-104.0	Battery clamp positiv	1.000	ST				
Position text: //1.127-151.0 / -251.0 / -351.0 / -451.0/ -476.0									
	40	6.654-105.0	Battery clamp negative	1.000	ST				
Position text: //1.127-151.0 / -251.0 / -351.0 / -451.0/ -476.0									
	41	6.647-738.0	Cable battery	1.000	ST				
X-X	42	5.115-493.0	Washer	1.000	ST				
	43	7.343-005.0	Locking ring 16x1-FST-PHR DIN 471	1.000	ST				
	44	2.850-322.0	Individual parts	1.000	ST				
	45	6.648-263.0	Connection cable complete TORN *	1.000	ST				
Position text: //1.127-682.0									
	46	5.039-041.0	Tub battery	1.000	ST				
Position text: //1.127-682.0									
	47	6.650-114.0	Power cable only for replacement	1.000	ST			Pos.1/6.654-067.0 + 6.654-102.0	
	48	6.650-116.0	Power cable only for replacement	1.000	ST			Pos.1/6.654-227.0--Pos.2/6.654-094.0	



40 Switch box

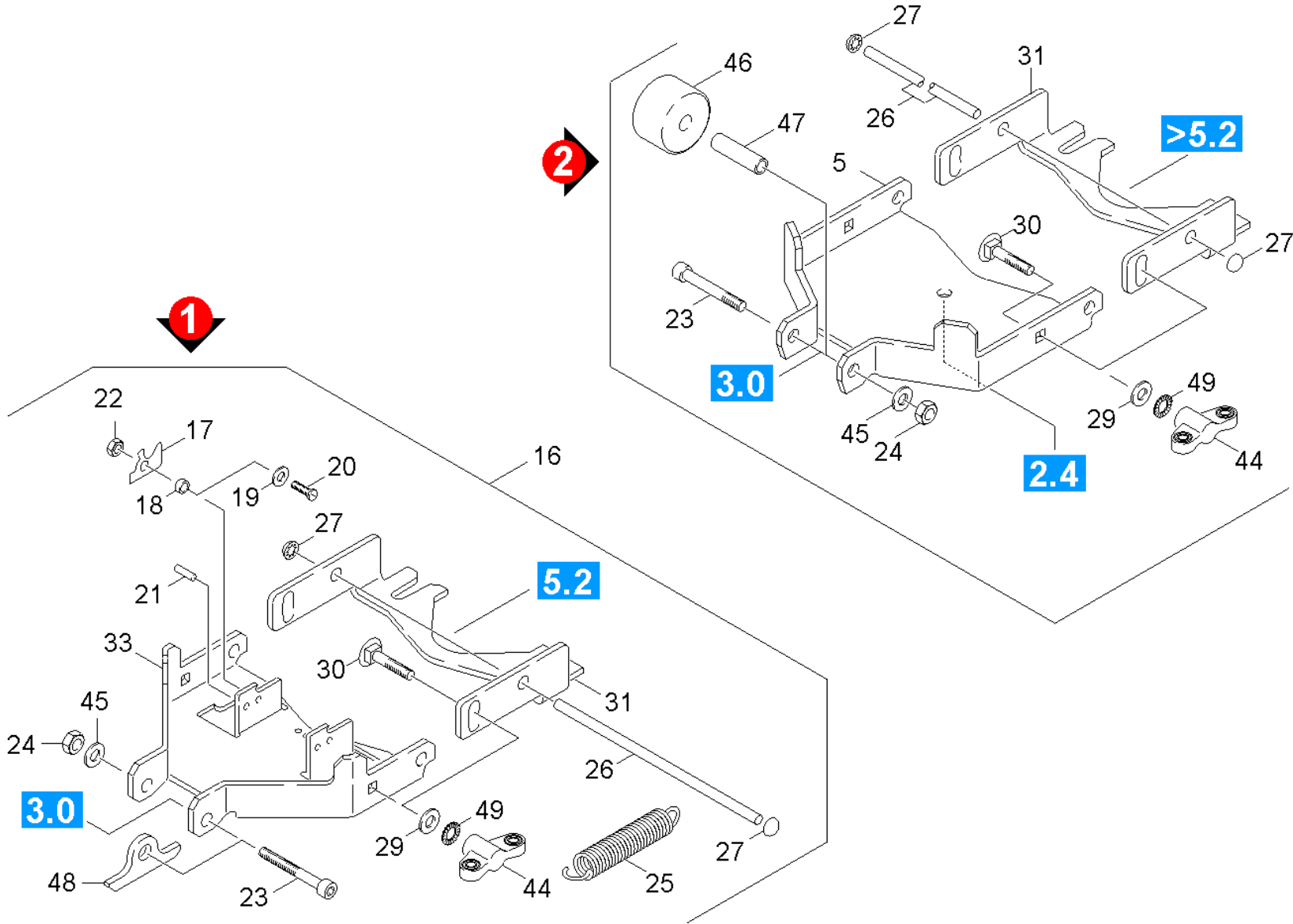
ET/VT (spare/wear parts)	Pos	Material #	Name	Qty.	Unit	from ser.nr.	up to ser.nr.
	1	6.601-301.0	Chest and mounting plate LAENGE 630 MM	1.000	ST	0000000000	0000000000
X-X	2	6.633-389.0	Relay	1.000	ST	0000000000	0000000000
	3	7.306-077.0	Screw M5x16 -8.8-R2R (In6Rd)	3.000	ST	0000000000	0000000000
	4	7.311-003.0	Hexagon nut M6 -8-A2E ISO 4032	6.000	ST	0000000000	0000000000
	5	7.306-118.0	Screw M 6x35 -8.8-R3R (In6Rd)	2.000	ST	0000000000	0000000000
	6	6.303-262.0	Oval head screw 2,9X 16	4.000	ST	0000000000	0000000000
	7	6.643-687.0	Strip terminal four-pole	1.000	ST	0000000000	0000000000
	8	7.311-002.0	Hexagon nut M5 -8-A2E ISO 4032	3.000	ST	0000000000	0000000000
	9	6.643-686.0	Strip terminal six-pole	1.000	ST	0000000000	0000000000
	10	6.644-276.0	Plate	1.000	ST	0000000000	0000000000
	11	7.311-001.0	Hexagon nut M4 -8-A2E ISO 4032	6.000	ST	0000000000	0000000000
	13	6.644-275.0	Fuse holder	1.000	ST	0000000000	0000000000
	14	2.883-854.0	Spare part set	1.000	ST	0000000000	0000000000
	17	6.644-302.0	Fuse holder	2.000	ST	0000000000	0000000000
	18	6.641-368.0	Locknut PG21-PA DIN 46320	1.000	ST	0000000000	0000000000
	19		Stockpiling discontinued	1.000	ST	0000000000	0000000000
	20	6.641-357.0	Cable gland PG11	1.000	ST	0000000000	0000000000
	21	6.641-367.0	Locknut PG11	1.000	ST	0000000000	0000000000
	22	6.641-355.0	Cable gland PG9	1.000	ST	0000000000	0000000000
	23	6.641-366.0	Locknut PG 9	1.000	ST	0000000000	0000000000
	24	7.312-003.0	Washer 6 -200HV-A3E ISO 7090	4.000	ST	0000000000	0000000000
	25	7.312-167.0	Toothed lock washer A6,4-FSt-A3E DIN 67	2.000	ST	0000000000	0000000000
	26	7.312-278.0	Washer 5-200HV-A2E ISO7093-1	1.000	ST	0000000000	0000000000
	28	7.306-119.0	Cylinder head screw M8x12 -A2-70 ISO 47	3.000	ST	0000000000	0000000000
	29	5.044-095.0	Holder storage cabinet	1.000	ST	0000000000	0000000000

40 Switch box

ET/VT (spare/wear parts)	Pos	Material #	Name	Qty.	Unit	from ser.nr.	up to ser.nr.
X	30	7.303-104.0	Screw 5x16 -A2-70 (IN6RD)	1.000	ST	0000000000	0000000000
	31	6.373-670.0	Pipe clamp	1.000	ST	0000000000	0000000000
	32	6.633-235.0	Relay 24 V	1.000	ST	0000000000	0000000000

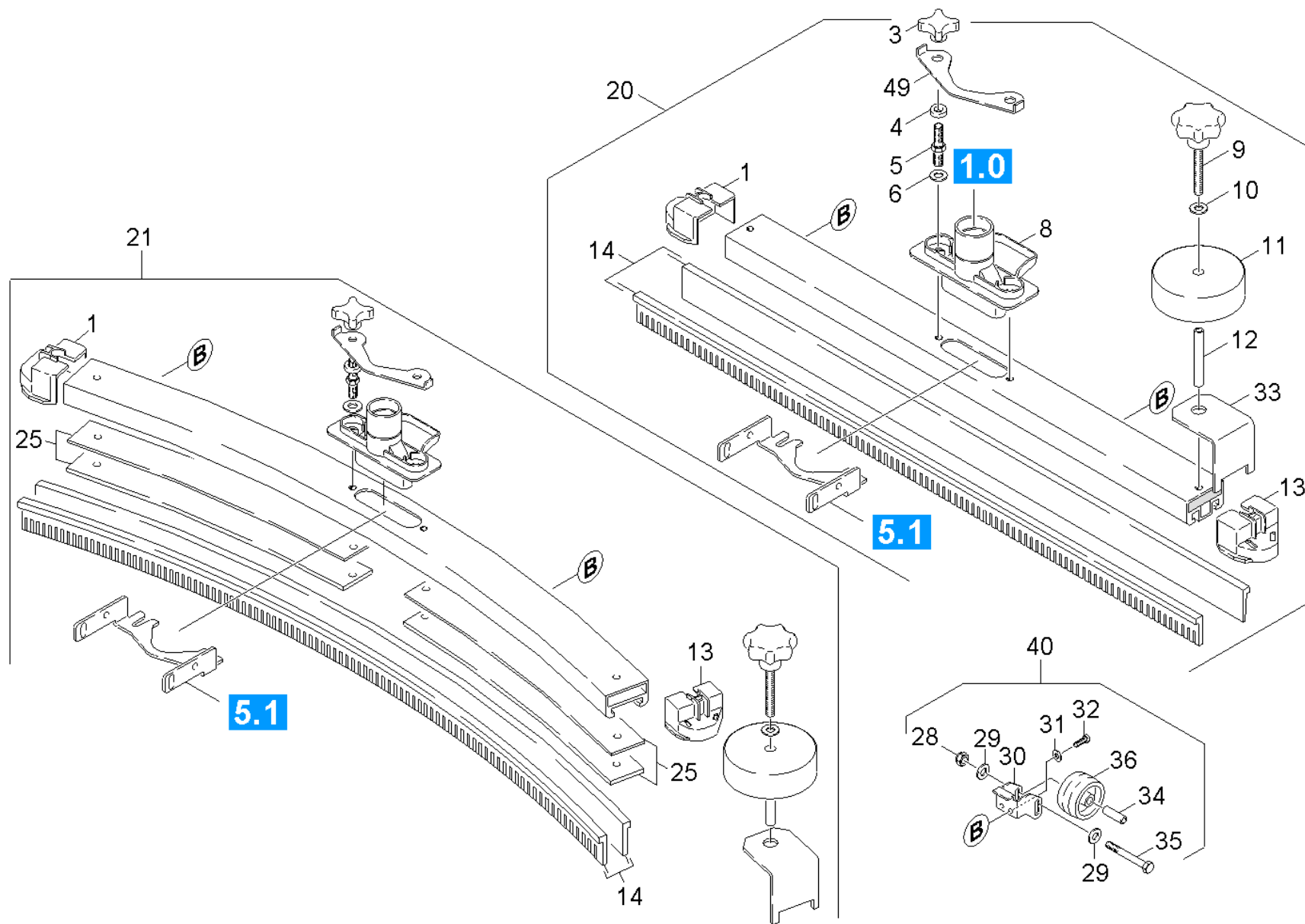
50 Suction mechanism

Pos	Name	Qty.	Unit	from ser.nr.	up to ser.nr.	Footnote text
51	Bracket suction bar	1.000	ST	0000000000	0000000000	
52	Suction bar	1.000	ST	0000000000	0000000000	VERSION 1
53	Suction bar	1.000	ST	0000000000	0000000000	VERSION 2
54	Suction bar	1.000	ST			VERSION 3



51 Bracket suction bar

ET/VT (spare/wear parts)	Pos	Material #	Name	Qty.	Unit	from ser.nr.	up to ser.nr.
	5	5.044-379.0	Holder suction bar	1.000	ST	0000035012	0000000000
	16	4.777-033.0	Suction bar suspension only for replacem	1.000	ST	0000000000	0000035011
	17	5.031-493.0	Moulded part CHH	1.000	ST	0000000000	0000035011
	18	5.110-687.0	Sleeve	1.000	ST	0000000000	0000035011
	19	7.312-067.0	Washer 4-A2 ISO 7089	1.000	ST	0000000000	0000035011
	20	7.306-206.0	Screw M4x10 -A2-70 ISO 14583	1.000	ST	0000000000	0000035011
X	21	7.314-949.0	Spring pin 4x14-1.4310 ISO 8752	1.000	ST	0000000000	0000035011
	22	7.311-064.0	Hexagon nut M 4-A2-70 ISO 4032	1.000	ST	0000000000	0000035011
	23	7.306-151.0	Cylinder head screw M8x65 -8.8-A2E ISO4	1.000	ST	0000000000	0000000000
	24	7.311-427.0	Hexagon nut M8 -04-A2E ISO 10511	1.000	ST	0000000000	0000000000
	25	6.330-011.0	Extension spring	1.000	ST	0000000000	0000035011
	26	5.107-202.0	Bar	1.000	ST	0000000000	0000000000
	27	6.343-132.0	Lock washer 8	2.000	ST	0000000000	0000000000
	29	7.312-292.0	Washer 6 -A2 ISO 7093-1	2.000	ST	0000000000	0000000000
X-X	30	7.303-139.0	Saucer-head screw M6x20 -A2 DIN 603	2.000	ST	0000000000	0000000000
	31	5.048-234.0	Rocker suction bar	1.000	ST	0000000000	0000000000
	33	5.044-162.0	Holder suction bar	1.000	ST	0000000000	0000035011
X-X	44	6.310-180.0	Wing nut M6	2.000	ST	0000000000	0000000000
	45	7.312-017.0	Washer 8-A2 ISO 7089	1.000	ST	0000000000	0000000000
	46	5.435-004.0	Roller D40	1.000	ST	0000000000	0000000000
	47	5.112-633.0	Bush	1.000	ST	0000000000	0000000000
	48	5.031-834.0	Moulded part only for replacement	1.000	ST	0000000000	0000035011
	49	7.312-020.0	Serrated lock washer A6,4-1.4310 DIN679	2.000	ST	0000000000	0000000000



52 Suction bar

ET/VT (spare/wear parts)	Pos	Material #	Name	Qty.	Unit	from ser.nr.	up to ser.nr.	Footnote text
	1	5.031-482.0	End piece right	2.000	ST	0000000000	0000000000	
	3	6.321-133.0	Star handle	2.000	ST	0000000000	0000000000	
	4	7.312-080.0	Washer 10-C -100HV-tZn DIN 7989-1	2.000	ST	0000000000	0000000000	
	5	5.308-057.0	Threaded bolt	2.000	ST	0000000000	0000000000	
	6	7.312-277.0	Washer 8-200HV-A2E ISO7093-1	2.000	ST	0000000000	0000000000	
	8	5.031-464.0	Suction nipple	1.000	ST	0000000000	0000000000	
	9	6.321-243.0	Star grip stainless steel D50x48	2.000	ST	0000000000	0000000000	
	10	7.312-004.0	Washer 8 -200HV-A3E ISO 7090	2.000	ST	0000000000	0000000000	
X	11	5.515-096.0	Roller	2.000	ST	0000000000	0000000000	
	12	5.029-469.0	Tube	2.000	ST	0000000000	0000000000	
	13	5.031-465.0	End piece left	1.000	ST	0000000000	0000000000	
X-X	14	6.273-185.0	Rubber lip set	1.000	ZSA	0000000000	0000000000	STANDARD
	14	6.273-168.0	Rubber lip set oil resistant	1.000	ZSA	0000000000	0000000000	OIL RESISTANT
	20		Stockpiling discontinued	1.000	ST	0000000000	0000000000	
	21		Stockpiling discontinued	1.000	ST	0000000000	0000000000	
	25	5.401-249.0	Insert curved	1.000	ST	0000000000	0000000000	
	28	7.311-422.0	Hexagon nut M 6-1.4305 ISO 10511	2.000	ST	0000000000	0000000000	
X-X	29	7.312-026.0	Washer 6 -A2 ISO 7090	4.000	ST	0000000000	0000000000	
	30	5.044-304.0	Holder roller	2.000	ST	0000000000	0000000000	
X-X	31	7.312-058.0	Washer 5 -A2 ISO 7090	4.000	ST	0000000000	0000000000	
	32	7.303-037.0	Screw M5x10 -St-P2R (In6Rd)	4.000	ST	0000000000	0000000000	
	33	5.017-136.0	Angle	2.000	ST	0000000000	0000000000	
	34	5.105-245.0	Axle	2.000	ST	0000000000	0000000000	
	35	7.304-550.0	Hexagonal head screw M 6x45-A4-70 ISO 4	2.000	ST	0000000000	0000000000	
X-X	36	6.435-401.0	Wheel D54	2.000	ST	0000000000	0000000000	

52 Suction bar

ET/VT (spare/wear parts)	Pos	Material #	Name	Qty.	Unit	from ser.nr.	up to ser.nr.	Footnote text
	40	2.639-561.0	Add-on kit support wheels suction bar	1.000	ST	0000000000	0000000000	
	49	5.007-217.0	Plate	1.000	ST	0000000000	0000000000	

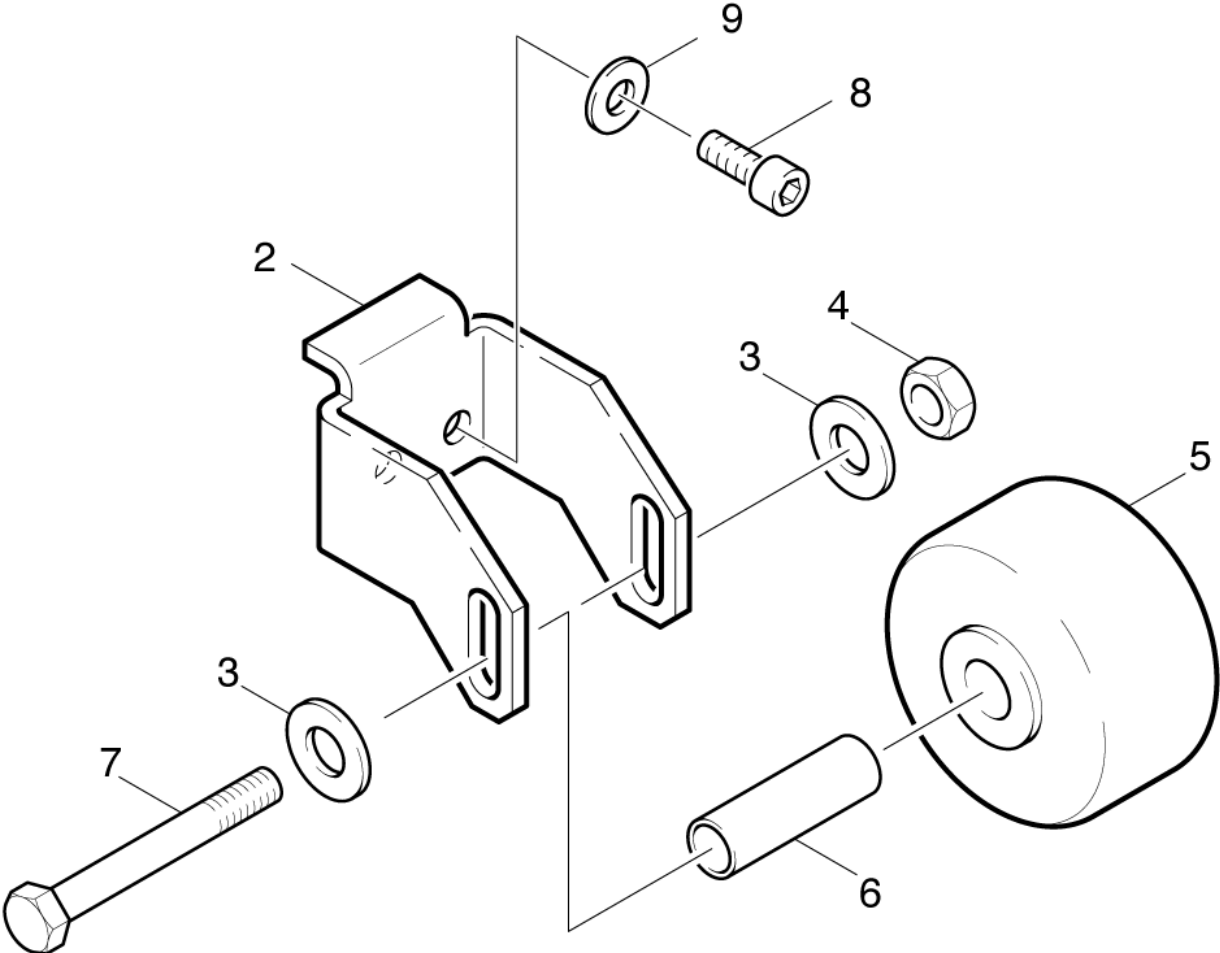
40 Add-on kit support wheels suction bar (2.639-561.0)

Pos	Material #	Name	Qty.	Unit	from ser.nr.	up to ser.nr.
1	0.082-417.0	Spare parts list support wheels	1.000	ST	0000000000	0000000000

Position text: 26395610

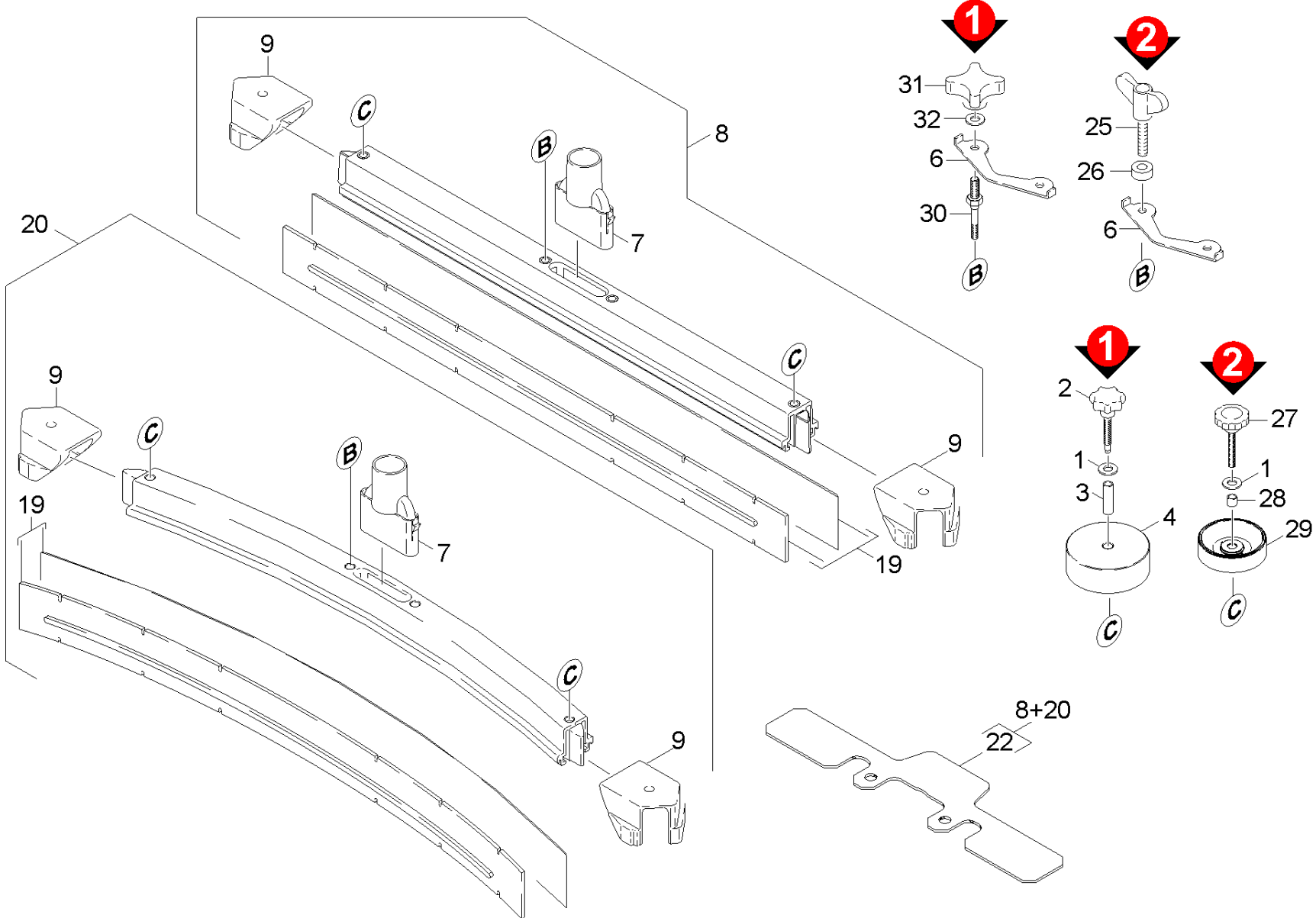
1 Spare parts list support wheels (0.082-417.0)

Pos	Name	Qty.	Unit	from ser.nr.	up to ser.nr.
10	Support wheels	1.000	ST	0000000000	0000000000



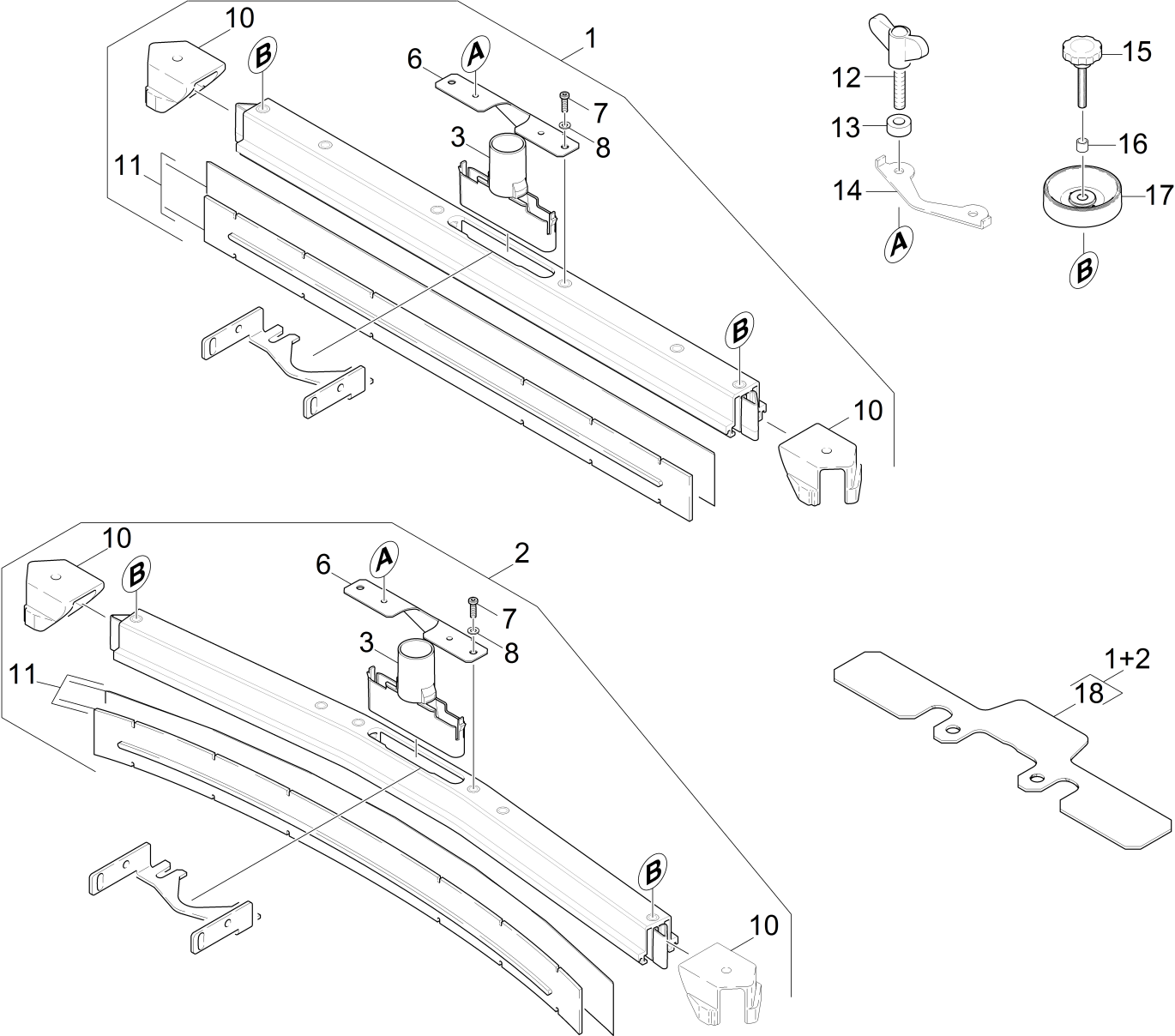
10 Support wheels

ET/VT (spare/wear parts)	Pos	Material #	Name	Qty.	Unit	from ser.nr.	up to ser.nr.
	2	5.044-304.0	Holder roller	2.000	ST	0000000000	0000000000
X-X	3	7.312-026.0	Washer 6 -A2 ISO 7090	4.000	ST	0000000000	0000000000
	4	7.311-422.0	Hexagon nut M 6-1.4305 ISO 10511	2.000	ST	0000000000	0000000000
X-X	5	6.435-401.0	Wheel D54	2.000	ST	0000000000	0000000000
	6	5.105-320.0	Axle	2.000	ST	0000000000	0000000000
	7	7.306-199.0	Screw M 6x50-A2-70 (IN6RD)	2.000	ST	0000000000	0000000000
	8	7.303-037.0	Screw M5x10 -St-P2R (In6Rd)	4.000	ST	0000000000	0000000000
X-X	9	7.312-058.0	Washer 5 -A2 ISO 7090	4.000	ST	0000000000	0000000000



53 Suction bar

ET/VT (spare/wear parts)	Pos	Material #	Name	Qty.	Unit	from ser.nr.	up to ser.nr.	var. information	Footnote text
	1	7.312-004.0	Washer 8 -200HV-A3E ISO 7090	3.000	ST	0000000000	0000000000		
	2	6.321-243.0	Star grip stainless steel D50x48	2.000	ST	0000000000	0000000000		VERSION 1
	3	5.094-050.0	Tube	2.000	ST	0000000000	0000000000		VERSION 1
X	4	5.515-096.0	Roller	2.000	ST	0000000000	0000000000		VERSION 1
	6	5.007-619.0	Plate suction bar	1.000	ST				STAINLESS STEEL CONSTRUCTION
	6	5.007-217.0	Plate	1.000	ST	0000000000	0000000000		
	7	5.031-989.0	Suction nipple	1.000	ST	0000000000	0000000000	L = 90mm	
	7	5.033-601.0	Suction nipple	1.000	ST			L = 150mm	
X-X	8	4.777-306.0	Suction bar straight 850 AB oLR	1.000	ST	0000000000	0000000000		SRAIGHT DESIGN
	9	2.885-294.0	End piece left / right spare parts set	1.000	ST	0000000000	0000000000		
X-X	19	6.273-207.0	Rubber lip set oil resistant BR-BD530,55	1.000	ZSA	0000000000	0000000000		OIL RESISTANT
X-X	19	6.273-213.0	Rubber lip set standard	1.000	ZSA	0000000000	0000000000		STANDARD
X-X	19	6.273-229.0	Rubber lip set anti stripe oil resistant	1.000	ST	0000000000	0000000000		ANTI-STRIP, OIL RESISTANT
X-X	20	4.777-316.0	Suction bar curved 850 AB oLR	1.000	ST	0000000000	0000000000		CURVED DESIGN
	22	5.128-339.0	Additional weight suction bar	1.000	ST	0000000000	0000000000		
X-X	25	5.305-296.0	Wing screw M8x40 VA	2.000	ST			VERSION 2	STAINLESS STEEL CONSTRUCTION
X	25	5.305-286.0	Wing screw M8x	2.000	ST	0000000000	0000000000	VERSION 2	
X-X	26	5.112-748.0	Sleeve	2.000	ST	0000000000	0000000000	VERSION 2	
X-X	26	5.112-810.0	Sleeve VA	2.000	ST			VERSION 2	STAINLESS STEEL CONSTRUCTION
X-X	27	6.321-239.0	Star grip VA Ø50x43	2.000	ST			VERSION 2	STAINLESS STEEL CONSTRUCTION
X-X	28	5.094-231.0	Sleeve suction bar in VA	2.000	ST			VERSION 2	STAINLESS STEEL CONSTRUCTION
X	29	5.515-267.0	Deflector roll	2.000	ST			VERSION 2	
	30	5.308-064.0	Threaded bolt	2.000	ST	0000000000	0000000000		VERSION 1
	31	6.321-133.0	Star handle	2.000	ST	0000000000	0000000000		VERSION 1
	32	7.312-066.0	Washer 10 -A2 ISO 7090	2.000	ST	0000000000	0000000000		VERSION 1



54 Suction bar

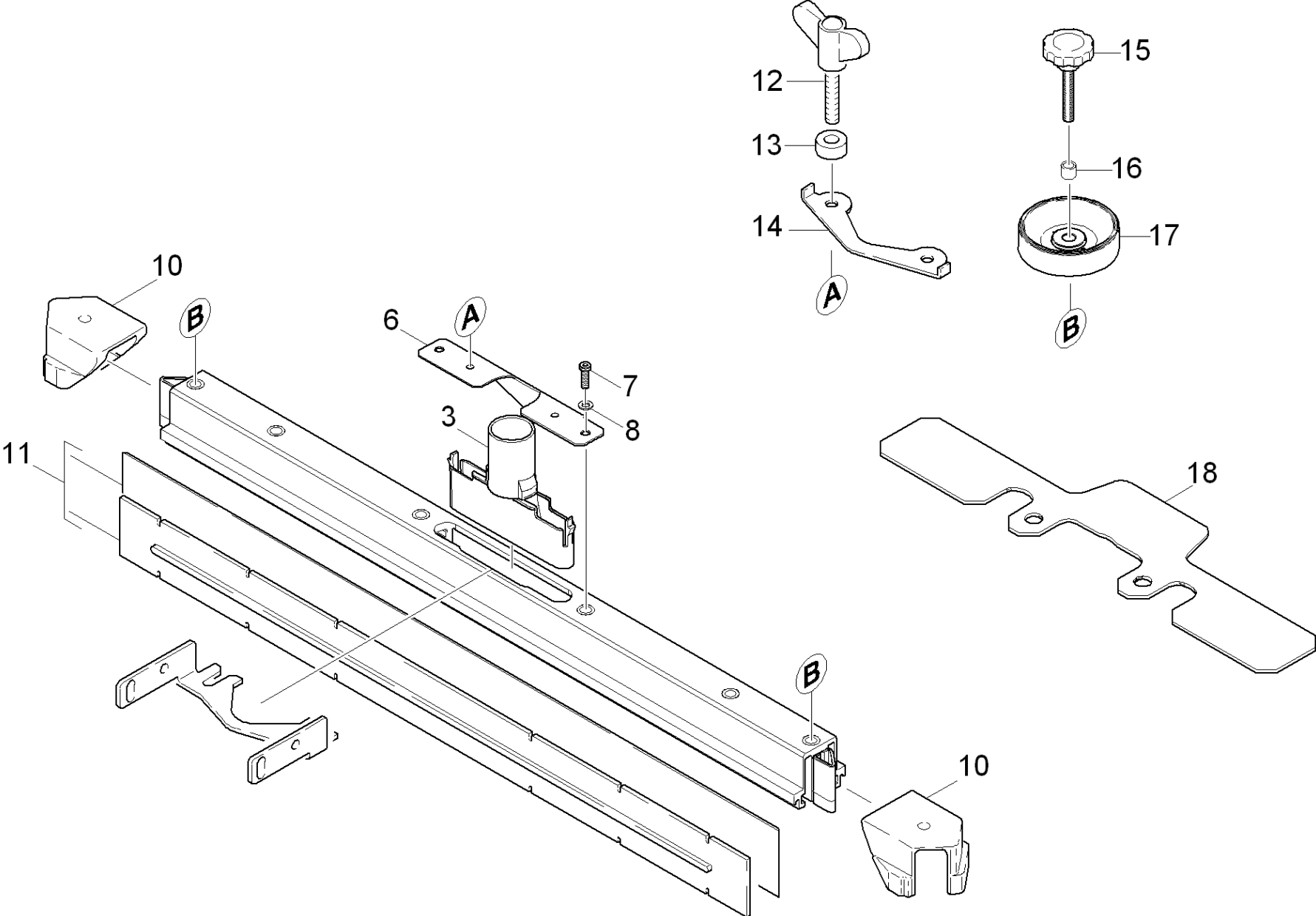
ET/VT (spare/wear parts)	Pos	Material #	Name	Qty.	Unit	Footnote text
X-X	1	4.777-406.0	Suction bar straight 850mm	1.000	ST	
X-X	2	4.777-416.0	Suction bar curved 850mm	1.000	ST	
	3	5.033-601.0	Suction nipple	1.000	ST	
	6	5.100-559.0	Suction bar support plate	1.000	ST	
	7	7.306-142.0	Cylinder head screw M 8x25-A4-70 ISO 47	1.000	ST	
	8	7.312-017.0	Washer 8-A2 ISO 7089	1.000	ST	
	10	2.885-294.0	End piece left / right spare parts set	1.000	ST	
	11	6.273-290.0	BLADES FOR TEXTURED FLOORS	1.000	ST	CLOSED, OIL RESISTANT
X-X	11	6.273-207.0	Rubber lip set oil resistant BR-BD530,55	1.000	ZSA	OIL RESISTANT
X-X	11	6.273-213.0	Rubber lip set standard	1.000	ZSA	STANDARD
X-X	11	6.273-229.0	Rubber lip set anti stripe oil resistant	1.000	ST	ANTI-STRIP, OIL RESISTANT
X-X	12	5.305-296.0	Wing screw M8x40 VA	2.000	ST	
X-X	13	5.112-810.0	Sleeve VA	2.000	ST	
	14	5.007-217.0	Plate	1.000	ST	
X-X	15	6.321-239.0	Star grip VA Ø50x43	2.000	ST	
X-X	16	5.094-231.0	Sleeve suction bar in VA	2.000	ST	
X	17	5.515-346.0	Deflector roll suction bar D120	2.000	ST	
	18	5.128-339.0	Additional weight suction bar	1.000	ST	

1 Suction bar straight 850mm (4.777-406.0)

Pos	Name	Qty.	Unit	from ser.nr.	up to ser.nr.
530	Operating manual instruction sheet	1.000	ST	0000000000	0000000000
Position text: 47770490					
600	Spare parts list suction bar straight 85	1.000	ST		

600 Spare parts list suction bar straight 85

Pos	Name	Qty.	Unit
10	Suction bar straight 850mm	1.000	ST



10 Suction bar straight 850mm

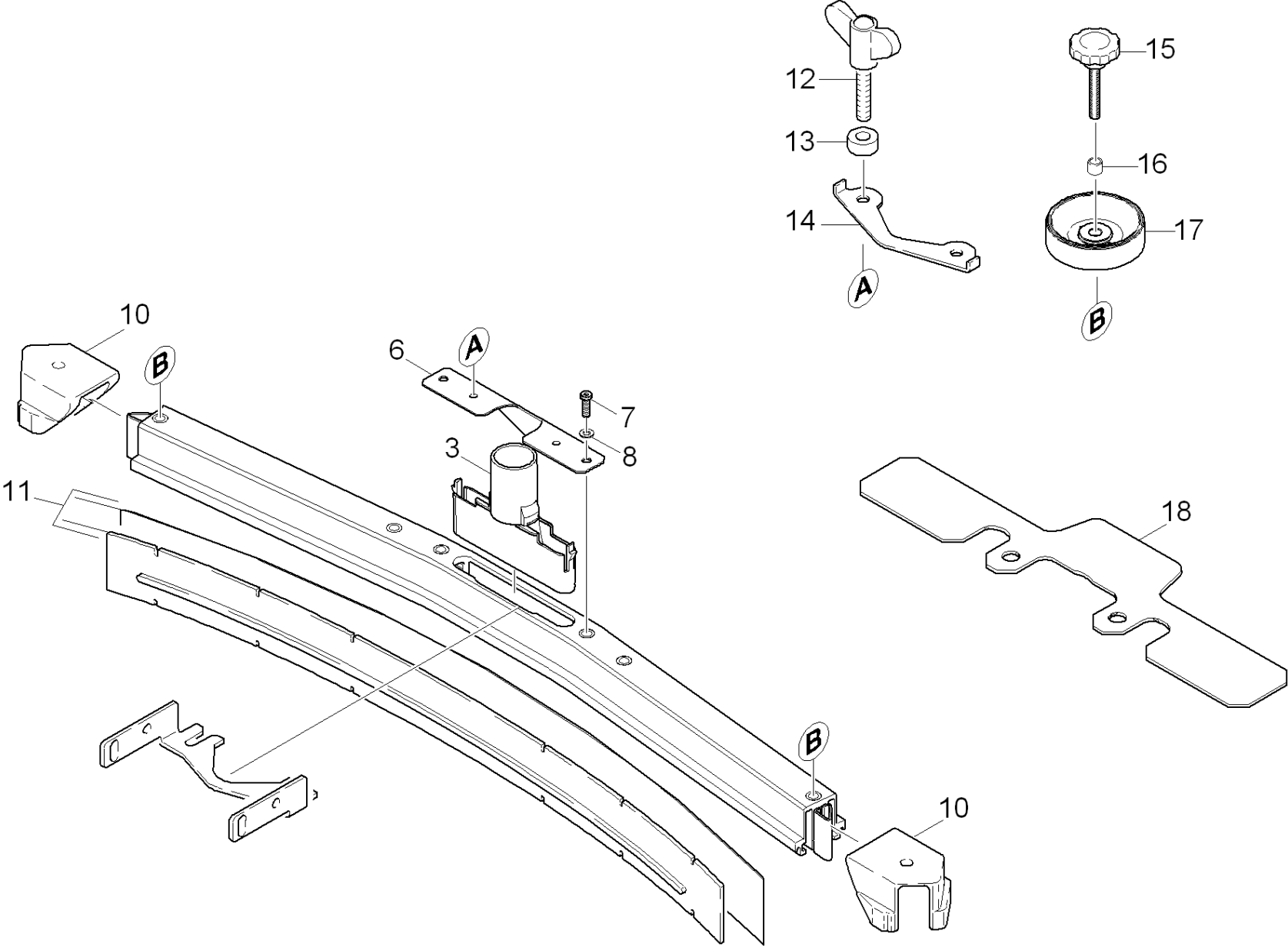
ET/VT (spare/wear parts)	Pos	Material #	Name	Qty.	Unit	Footnote text
	3	5.033-601.0	Suction nipple	1.000	ST	
	6	5.100-559.0	Suction bar support plate	1.000	ST	
	7	7.306-142.0	Cylinder head screw M 8x25-A4-70 ISO 47	1.000	ST	
	8	7.312-017.0	Washer 8-A2 ISO 7089	1.000	ST	
	10	2.885-294.0	End piece left / right spare parts set	1.000	ST	
	11	6.273-290.0	BLADES FOR TEXTURED FLOORS	1.000	ST	CLOSED, OIL RESISTANT
X-X	11	6.273-207.0	Rubber lip set oil resistant BR-BD530,55	1.000	ZSA	OIL RESISTANT
X-X	11	6.273-213.0	Rubber lip set standard	1.000	ZSA	STANDARD
X-X	11	6.273-229.0	Rubber lip set anti stripe oil resistant	1.000	ST	ANTI-STRIP, OIL RESISTANT
X-X	12	5.305-296.0	Wing screw M8x40 VA	2.000	ST	
X-X	13	5.112-810.0	Sleeve VA	2.000	ST	
	14	5.007-217.0	Plate	1.000	ST	
X-X	15	6.321-239.0	Star grip VA Ø50x43	2.000	ST	
X-X	16	5.094-231.0	Sleeve suction bar in VA	2.000	ST	
X	17	5.515-346.0	Deflector roll suction bar D120	2.000	ST	
	18	5.128-339.0	Additional weight suction bar	1.000	ST	

2 Suction bar curved 850mm (4.777-416.0)

Pos	Name	Qty.	Unit	from ser.nr.	up to ser.nr.
530	Operating manual instruction sheet	1.000	ST	0000000000	0000000000
Position text: 47770490					
600	Spare parts list suction bar curved 850m	1.000	ST		

600 Spare parts list suction bar curved 850m

Pos	Name	Qty.	Unit
10	Suction bar curved 850mm	1.000	ST

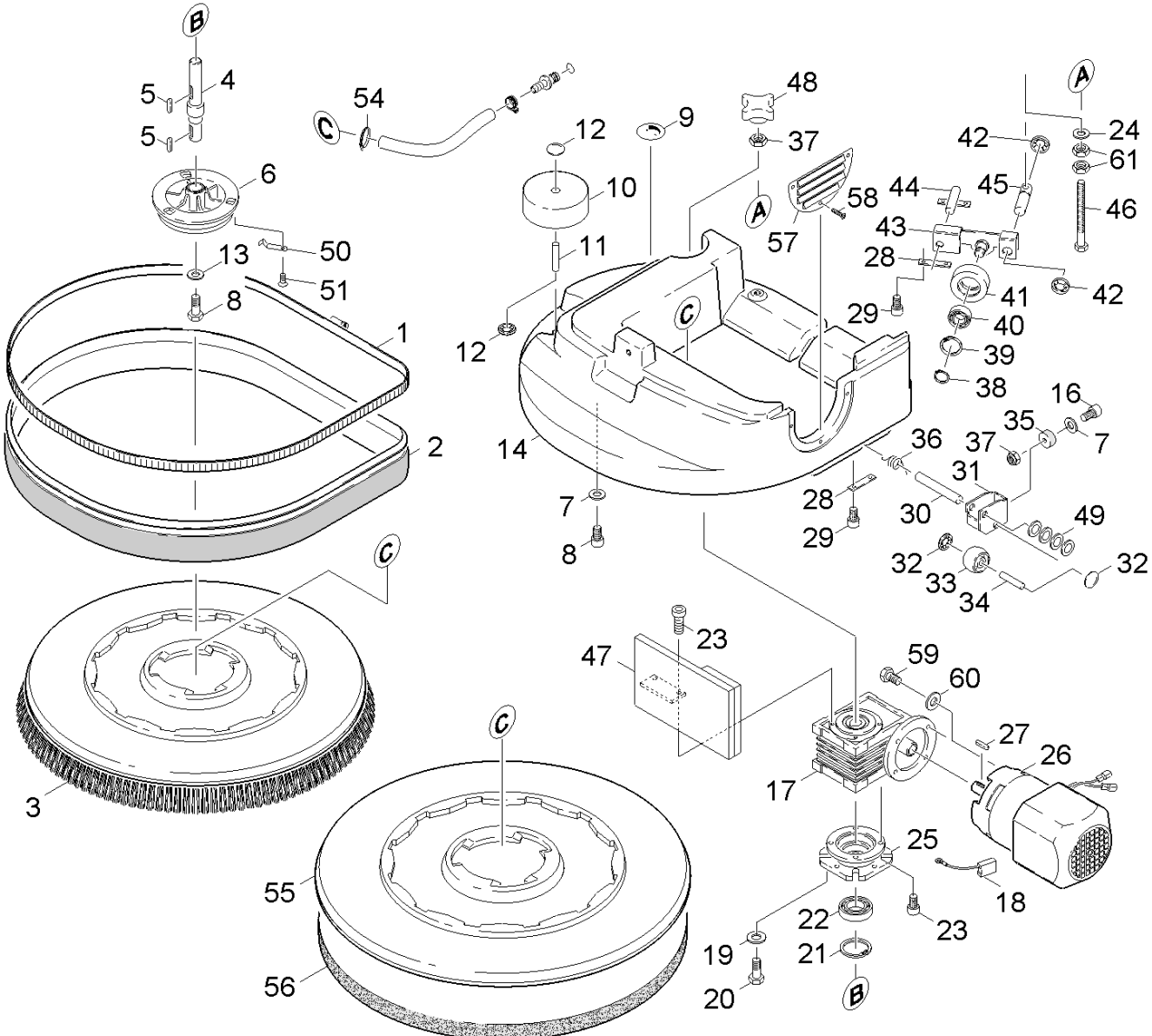


10 Suction bar curved 850mm

ET/VT (spare/wear parts)	Pos	Material #	Name	Qty.	Unit	Footnote text
	3	5.033-601.0	Suction nipple	1.000	ST	
	6	5.100-559.0	Suction bar support plate	1.000	ST	
	7	7.306-142.0	Cylinder head screw M 8x25-A4-70 ISO 47	1.000	ST	
	8	7.312-017.0	Washer 8-A2 ISO 7089	1.000	ST	
	10	2.885-294.0	End piece left / right spare parts set	1.000	ST	
	11	6.273-290.0	BLADES FOR TEXTURED FLOORS	1.000	ST	CLOSED, OIL RESISTANT
X-X	11	6.273-207.0	Rubber lip set oil resistant BR-BD530,55	1.000	ZSA	OIL RESISTANT
X-X	11	6.273-213.0	Rubber lip set standard	1.000	ZSA	STANDARD
X-X	11	6.273-229.0	Rubber lip set anti stripe oil resistant	1.000	ST	ANTI-STRIP, OIL RESISTANT
X-X	12	5.305-296.0	Wing screw M8x40 VA	2.000	ST	
X-X	13	5.112-810.0	Sleeve VA	2.000	ST	
	14	5.007-217.0	Plate	1.000	ST	
X-X	15	6.321-239.0	Star grip VA Ø50x43	2.000	ST	
X-X	16	5.094-231.0	Sleeve suction bar in VA	2.000	ST	
X	17	5.515-267.0	Deflector roll	2.000	ST	
	18	5.128-339.0	Additional weight suction bar	1.000	ST	

60 Power brush BD

Pos	Name	Qty.	Unit	from ser.nr.	up to ser.nr.	var. information
61	Power brush BD	1.000	ST		<35011	
62	Power brush BD	1.000	ST	>35012		
63	Power brush BD	1.000	ST	>41647		(XL)



61 Power brush BD

ET/VT (spare/wear parts)	Pos	Material #	Name	Qty.	Unit	from ser.nr.	up to ser.nr.	var. information	Footnote text
X	1	6.389-876.0	Hose clip	1.000	ST	0000000000	0000000000		
X-X	2	5.394-488.0	Splash-proof profile	1.000	ST	0000000000	0000000000	1500mm	
	2	5.394-509.0	Splash-proof profile BD 530 XL	1.000	ST	0000000000	0000000000	1720mm	
X-X	3	6.906-054.0	Disc brush red (old colour white)	1.000	ST	0000000000	0000000000		WHITE (STANDARD)
	Position text: / 1.127-151.0 / -171.0 / -351.0/ -371.0 / -682.0								
	3	6.906-056.0	Disc brush nature	1.000	ST	0000000000	0000000000		NATURE
	Position text: / 1.127-151.0 / -171.0 / -351.0/ -371.0 / -682.0								
X-X	3	6.905-864.0	Disc brush red (old colour white)	1.000	ST	0000000000	0000000000		WHITE (STANDARD)
	Position text: / 1.127-251.0 / -271.0 / -451.0/ -471.0								
	3	6.905-865.0	Disc brush black (old colour grey)	1.000	ST	0000000000	0000000000		GREY
	Position text: / 1.127-251.0 / -271.0 / -451.0/ -471.0								
	3	6.905-866.0	Disc brush	1.000	ST	0000000000	0000000000		NATURE
	Position text: / 1.127-251.0 / -271.0 / -451.0/ -471.0								
	3	6.906-055.0	Disc brush black (old colour grey)	1.000	ST	0000000000	0000000000		GREY
	Position text: / 1.127-151.0 / -171.0 / -351.0/ -371.0 / -682.0								
	4	5.100-187.0	Shaft	1.000	ST	0000000000	0000000000		
	5	7.318-030.0	Parallel key 6x6x25 -C45R DIN 6885-1	2.000	ST	0000000000	0000000000		
X-X	6	4.122-140.0	Flange complete	1.000	ST	0000000000	0000000000		
	7	7.312-073.0	Washer 8 -CuZn ISO 7092	5.000	ST	0000000000	0000000000		
	8	7.304-538.0	Hexagonal head screw M8x16-A4-70 ISO 40	1.000	ST	0000000000	0000000000		
	9	5.389-705.0	Label	1.000	ST	0000000000	0000000000		
X	10	5.515-096.0	Roller	1.000	ST	0000000000	0000000000		
	11	5.105-278.0	Axle	1.000	ST	0000000000	0000000000		
X-X	12	6.343-224.0	Quick-fastener	2.000	ST	0000000000	0000000000		
	13	7.312-268.0	Washer 8 -A2 ISO 7094	1.000	ST	0000000000	0000000000		

61 Power brush BD

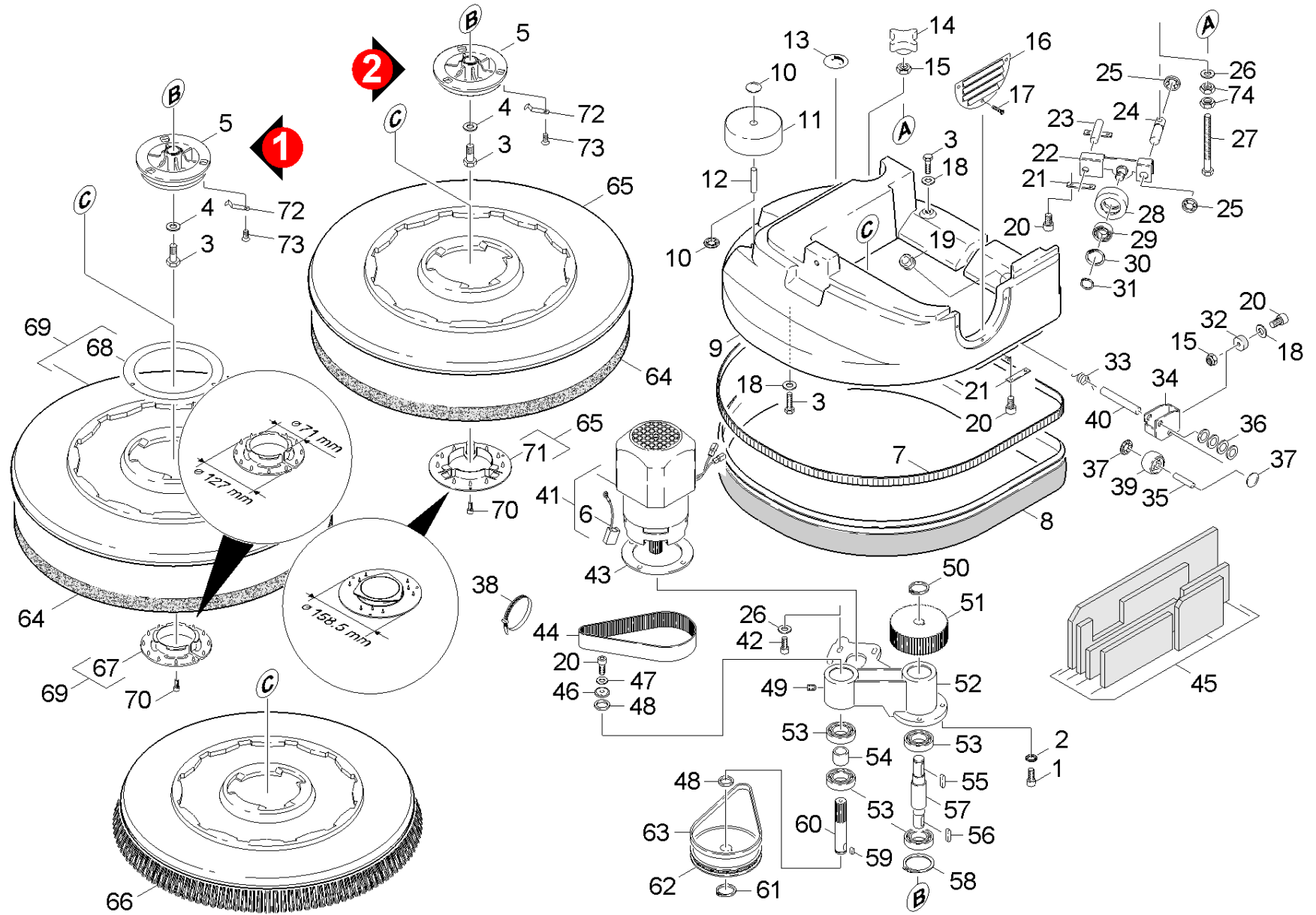
ET/VT (spare/wear parts)	Pos	Material #	Name	Qty.	Unit	from ser.nr.	up to ser.nr.	var. information	Footnote text
	14	5.066-965.0	Cover Disc-Kopf	1.000	ST	0000000000	0000000000		
Position text: / 1.127-151.0 / -171.0 / -351.0/ -371.0 / -682.0									
	14	5.066-987.0	Cover Disc-Kopf	1.000	ST	0000000000	0000000000		
Position text: / 1.127-251.0 / -271.0 / -451.0/ -471.0									
	16	7.306-191.0	Screw M6x10 -A2-70 (In6Rd)	1.000	ST	0000000000	0000000000		
	17	6.454-059.0	Worm gearing	1.000	ST	0000000000	0000000000		
	18	6.610-216.0	Carbon brush set	1.000	ZSA	0000000000	0000000000	AMER	
X	19	7.312-022.0	Serrated lock washer A8,4-1.4310 DIN679	4.000	ST	0000000000	0000000000		
	20	7.303-067.0	Screw M8x16-ST-A3R (IN6RD)	4.000	ST	0000000000	0000000000		
	21	7.343-115.0	Locking ring 47x1,75 -St-ph DIN 472	1.000	ST	0000000000	0000000000		
X	22	7.401-173.0	Ball bearing 6204-2RS-WAELZLAGST DIN 625	1.000	ST	0000000000	0000000000		
	23	7.306-090.0	Screw M6x16 -8.8-R3R (In6Rd)	6.000	ST	0000000000	0000000000		
	24	7.312-292.0	Washer 6 -A2 ISO 7093-1	4.000	ST	0000000000	0000000000		
	25	5.122-470.0	Flange worked	1.000	ST	0000000000	0000000000		
	26	6.613-289.0	Direct current motor	1.000	ST	0000000000	0000000000		
	27	7.318-070.0	Parallel key 5x5x20-C45R DIN 6885-1	1.000	ST	0000000000	0000000000		
	28	5.004-835.0	Strap	4.000	ST	0000000000	0000000000		
	29	7.306-130.0	Cylinder head screw M 6x10-A4-70 DIN 91	8.000	ST	0000000000	0000000000		
	30	5.105-325.0	Axle	1.000	ST	0000000000	0000000000		
	31	5.052-044.0	Stand BD	1.000	ST	0000000000	0000000000		
	32	6.343-149.0	Quick-fastener	2.000	ST	0000000000	0000000000		
	33	5.435-004.0	Roller D40	1.000	ST	0000000000	0000000000		
	34	5.105-266.0	Axle wheel	1.000	ST	0000000000	0000000000		
	35	5.031-519.0	Stand foot	1.000	ST	0000000000	0000000000		
	36	5.335-035.0	Spiral spring	1.000	ST	0000000000	0000000000		

61 Power brush BD

ET/VT (spare/wear parts)	Pos	Material #	Name	Qty.	Unit	from ser.nr.	up to ser.nr.	var. information	Footnote text
	37	7.311-067.0	Hexagon nut M 6-A2-70 ISO 4032	1.000	ST	0000000000	0000000000		
X-X	38	7.343-015.0	Locking ring 15x1-FST-RF DIN 471	1.000	ST	0000000000	0000000000		
X-X	39	7.343-167.0	Locking ring 35x1,5-FST-BR DIN 472	1.000	ST	0000000000	0000000000		
	40	7.401-128.0	Ball bearing 6202-2RS -Wälzl.St DIN 625	1.000	ST	0000000000	0000000000		
X-X	41	5.435-001.0	Roller	1.000	ST	0000000000	0000000000		
	42	7.343-206.0	Lock washer 12-2.1030 DIN 6799	2.000	ST	0000000000	0000000000		
	43	4.481-289.0	Holder pressure roller completely	1.000	ST	0000000000	0000000000		
	44	5.105-274.0	Axle	1.000	ST	0000000000	0000000000		
	45	5.105-226.0	Axle	1.000	ST	0000000000	0000000000		
	46	7.304-482.0	Hexagonal head screw M 6x80-A4-70 ISO 40	1.000	ST	0000000000	0000000000		
	47	4.031-004.0	Additional weight BD530	1.000	ST	0000000000	0000013829		
	48	7.321-011.0	Star handle K 32 DIN 6335	1.000	ST	0000000000	0000000000		
	49	7.312-074.0	Washer 10 -CuZn ISO 7092	4.000	ST	0000000000	0000000000		
X-X	50	5.337-033.0	Plate spring	3.000	ST	0000000000	0000000000		
X-X	51	7.306-213.0	Screw M5x6 -A2-70 (In6Rd)	3.000	ST	0000000000	0000000000		
X-X	54	6.641-464.0	Cable tie	1.000	ST	0000000000	0000000000		
	55	5.114-497.0	Ring pad drive disk	1.000	ST	0000000000	0000011996		
X-X	55	6.906-332.0	Disk pad	1.000	ST	0000012081	0000000000		
	56	6.369-961.0	Pad Mikrofaser	1.000	ZSA	0000000000	0000000000		WHITE
Position text: / 1.127-251.0 / -271.0 / -451.0 / -471.0									
	56	6.369-960.0	Pad Mikrofaser	1.000	ZSA	0000000000	0000000000		WHITE
	56	6.369-017.0	Pad red	1.000	ZSA	0000000000	0000000000		RED
Position text: / 1.127-251.0 / -271.0 / -451.0/ -471.0 / -476.0									
X	56	6.369-022.0	Pad black	1.000	ZSA	0000000000	0000000000		BLACK
Position text: / 1.127-151.0 / -171.0 / -351.0/ -371.0 / -682.0									

61 Power brush BD

ET/VT (spare/wear parts)	Pos	Material #	Name	Qty.	Unit	from ser.nr.	up to ser.nr.	var. information	Footnote text
	56	6.369-016.0	Pad green	1.000	ZSA	0000000000	0000000000		GREEN
Position text: / 1.127-251.0 / -271.0 / -451.0/ -471.0 / -476.0									
	56	6.369-015.0	Pad black	1.000	ZSA	0000000000	0000000000		BLACK
Position text: / 1.127-251.0 / -271.0 / -451.0/ -471.0 / -476.0									
X-X	56	6.369-024.0	Pad red	1.000	ZSA	0000000000	0000000000		RED
Position text: / 1.127-151.0 / -171.0 / -351.0/ -371.0 / -682.0									
X	56	6.369-023.0	Pad green	1.000	ZSA	0000000000	0000000000		GREEN
Position text: / 1.127-151.0 / -171.0 / -351.0/ -371.0 / -682.0									
	57	5.063-832.0	Cover	1.000	ST	0000000000	0000000000		
Position text: / 1.127-151.0 / -171.0 / -351.0/ -371.0 / -682.0									
	57	5.063-840.0	Cover	1.000	ST	0000000000	0000000000		
Position text: / 1.127-251.0 / -271.0 / -451.0/ -471.0 / -476.0									
X	58	7.303-104.0	Screw 5x16 -A2-70 (IN6RD)	3.000	ST	0000000000	0000000000		
X-X	59	7.304-521.0	Hexagonal head screw M 6x16-A4-70 ISO 4	4.000	ST	0000000000	0000000000		
X-X	60	7.312-026.0	Washer 6 -A2 ISO 7090	4.000	ST	0000000000	0000000000		
	61	7.311-200.0	Hexagon nut M6 -04-A2E ISO 4035	2.000	ST				



62 Power brush BD

ET/VT (spare/wear parts)	Pos	Material #	Name	Qty.	Unit	from ser.nr.	up to ser.nr.	var. information	Footnote text
	1	7.303-068.0	Screw M8x20 -St-R3R (In6Rd)	4.000	ST	0000000000	0000000000		
X	2	7.312-022.0	Serrated lock washer A8,4-1.4310 DIN679	4.000	ST	0000000000	0000000000		
	3	7.304-538.0	Hexagonal head screw M8x16-A4-70 ISO 40	5.000	ST	0000000000	0000000000		
	4	7.312-268.0	Washer 8 -A2 ISO 7094	1.000	ST	0000000000	0000000000		
X-X	5	4.122-140.0	Flange complete	1.000	ST	0000000000	0000000000		VERSION 1+2
	6	6.610-239.0	Carbon brush set ATAS	1.000	ST	0000000000	0000000000	ATAS	
X	7	6.389-876.0	Hose clip	1.000	ST	0000000000	0000000000		
	8	5.394-509.0	Splash-proof profile BD 530 XL	1.000	ST	0000000000	0000000000		
Position text: / 1.127-251.0 / -271.0 / -451.0 / -471.0/ -476.0									
X-X	8	5.394-488.0	Splash-proof profile	1.000	ST	0000000000	0000000000		
Position text: / 1.127-151.0 / -171.0 / -351.0 / -371.0/ -379.0 / -682.0									
	9	5.066-965.0	Cover Disc-Kopf	1.000	ST	0000000000	0000000000		
Position text: / 1.127-151.0 / -171.0 / -351.0 / -371.0/ -379.0 / -682.0									
	9	5.066-987.0	Cover Disc-Kopf	1.000	ST	0000000000	0000000000		
Position text: / 1.127-251.0 / -271.0 / -451.0 / -471.0/ -476.0									
X-X	10	6.343-224.0	Quick-fastener	2.000	ST	0000000000	0000000000		
X	11	5.515-096.0	Roller	1.000	ST	0000000000	0000000000		
	12	5.105-278.0	Axle	1.000	ST	0000000000	0000000000		
	13	5.389-705.0	Label	1.000	ST	0000000000	0000000000		
	14	7.321-011.0	Star handle K 32 DIN 6335	1.000	ST	0000000000	0000000000		
	15	7.311-067.0	Hexagon nut M 6-A2-70 ISO 4032	2.000	ST	0000000000	0000000000		
	16	5.063-840.0	Cover	1.000	ST	0000000000	0000000000		
Position text: / 1.127-251.0 / -271.0 / -451.0 / -471.0/ -476.0									
	16	5.063-832.0	Cover	1.000	ST	0000000000	0000000000		
Position text: / 1.127-151.0 / -171.0 / -351.0 / -371.0/ -379.0 / -682.0									

62 Power brush BD

ET/VT (spare/wear parts)	Pos	Material #	Name	Qty.	Unit	from ser.nr.	up to ser.nr.	var. information	Footnote text
X	17	7.303-104.0	Screw 5x16 -A2-70 (IN6RD)	3.000	ST	0000000000	0000000000		
	18	7.312-073.0	Washer 8 -CuZn ISO 7092	5.000	ST	0000000000	0000000000		
	19	6.641-401.0	Wire protecting sleeve	1.000	ST	0000000000	0000000000		
	20	7.306-191.0	Screw M6x10 -A2-70 (In6Rd)	9.000	ST	0000000000	0000000000		
	21	5.004-835.0	Strap	4.000	ST	0000000000	0000000000		
	22	4.481-289.0	Holder pressure roller completely	1.000	ST	0000000000	0000000000		
	23	5.105-274.0	Axle	1.000	ST	0000000000	0000000000		
	24	5.105-226.0	Axle	1.000	ST	0000000000	0000000000		
	25	7.343-206.0	Lock washer 12-2.1030 DIN 6799	2.000	ST	0000000000	0000000000		
	26	7.312-292.0	Washer 6 -A2 ISO 7093-1	5.000	ST	0000000000	0000000000		
	27	7.304-482.0	Hexagonal head screw M 6x80-A4-70 ISO 40	1.000	ST	0000000000	0000000000		
X-X	28	5.435-001.0	Roller	1.000	ST	0000000000	0000000000		
	29	7.401-128.0	Ball bearing 6202-2RS -Wälzl.St DIN 625	1.000	ST	0000000000	0000000000		
X-X	30	7.343-167.0	Locking ring 35x1,5-FST-BR DIN 472	1.000	ST	0000000000	0000000000		
X-X	31	7.343-015.0	Locking ring 15x1-FST-RF DIN 471	1.000	ST	0000000000	0000000000		
	32	5.031-519.0	Stand foot	1.000	ST	0000000000	0000000000		
	33	5.335-035.0	Spiral spring	1.000	ST	0000000000	0000000000		
	34	5.052-044.0	Stand BD	1.000	ST	0000000000	0000000000		
	35	5.105-266.0	Axle wheel	1.000	ST	0000000000	0000000000		
	36	7.312-074.0	Washer 10 -CuZn ISO 7092	1.000	ST	0000000000	0000000000		
	37	6.343-149.0	Quick-fastener	2.000	ST	0000000000	0000000000		
X-X	38	6.641-464.0	Cable tie	2.000	ST	0000000000	0000000000		
	39	5.435-004.0	Roller D40	1.000	ST	0000000000	0000000000		
	40	5.105-325.0	Axle	1.000	ST	0000000000	0000000000		
	41	6.613-292.0	Direct current motor	1.000	ST	0000000000	0000000000		

62 Power brush BD

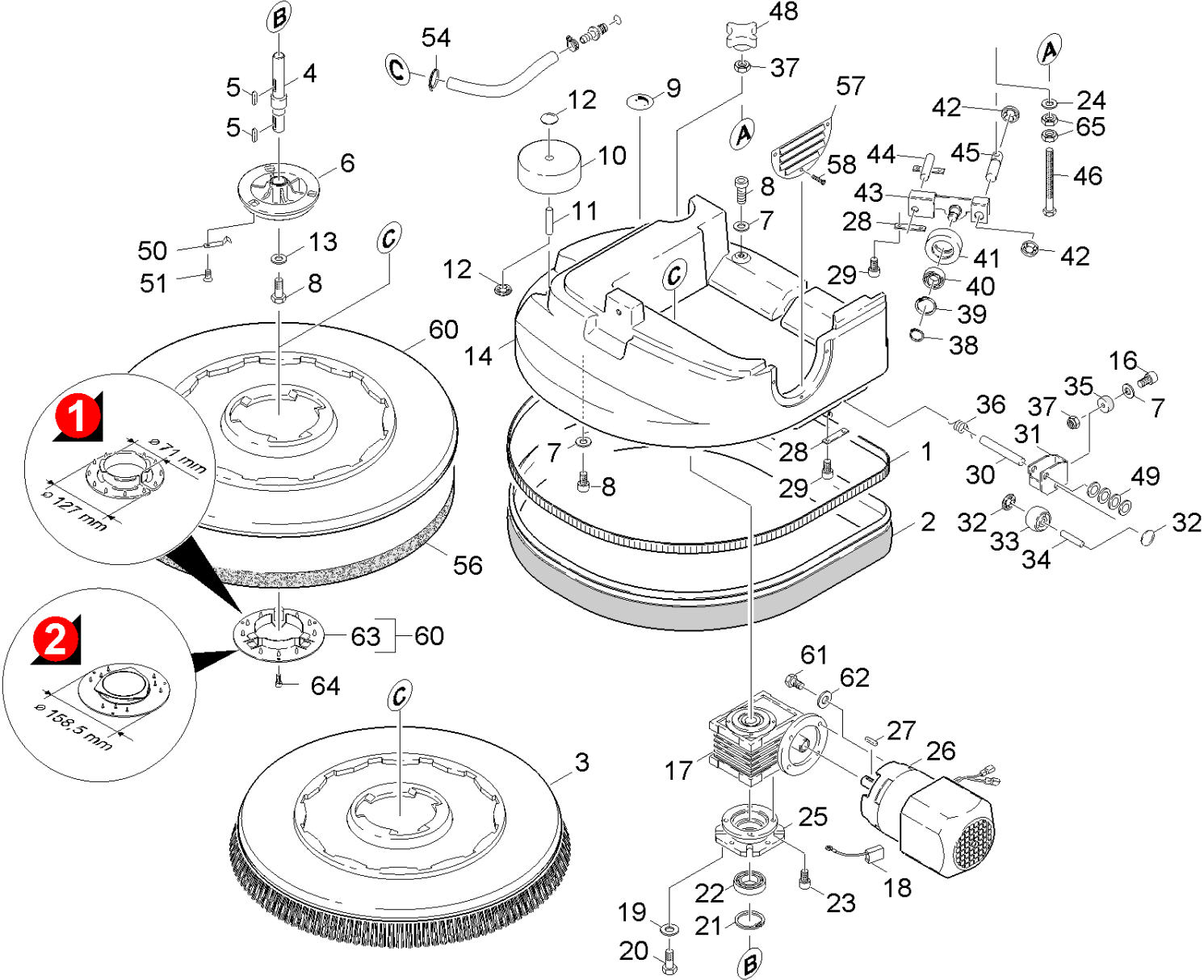
ET/VT (spare/wear parts)	Pos	Material #	Name	Qty.	Unit	from ser.nr.	up to ser.nr.	var. information	Footnote text
	42	7.306-090.0	Screw M6x16 -8.8-R3R (In6Rd)	4.000	ST	0000000000	0000000000		
	43	5.114-480.0	Ring motor	1.000	ST	0000000000	0000000000		
X-X	44	6.348-374.0	Toothed belt HTD 475-5M-30-CXP111	1.000	ST	0000000000	0000053844		
X-X	44	6.348-384.0	Toothed belt HTD-475-5M-40 CXP111	1.000	ST	0000053845	0000000000		
	45		Sound insulation power brush BD 530	1.000	ST				
	46	5.115-913.0	Flanged pulley	1.000	ST	0000000000	0000000000		
	47	7.312-003.0	Washer 6 -200HV-A3E ISO 7090	1.000	ST	0000000000	0000000000		
	48	5.112-616.0	Bush	2.000	ST	0000000000	0000000000		
	49	7.307-301.0	Threaded pin M10X 12-A1-50 ISO 7435	1.000	ST	0000000000	0000000000		
	50	7.343-018.0	Locking ring 18x1,2-Rf-St DIN 471	1.000	ST	0000000000	0000000000		
	51	5.625-402.0	Toothed lock washer 63Z	1.000	ST	0000053845	0000000000		
	51	5.625-351.0	Toothed lock washer HTD 5M 63Z	1.000	ST	0000000000	0000053844		
	52	5.044-246.0	Holder belt drive BD 530	1.000	ST	0000000000	0000053844		
	52	5.044-897.0	Holder belt drive	1.000	ST	0000053845	0000000000		
X	53	7.401-173.0	Ball bearing 6204-2RS-WAELZLAGST DIN 625	4.000	ST	0000000000	0000000000		
	54	5.112-619.0	Bush for belt drive	1.000	ST	0000000000	0000000000		
	55	7.318-031.0	Parallel key 6x6x28 -C45R DIN 6885-1	1.000	ST	0000000000	0000000000		
	56	7.318-030.0	Parallel key 6x6x25 -C45R DIN 6885-1	1.000	ST	0000000000	0000000000		
	57	5.100-293.0	Shaft belt drive 1	1.000	ST	0000000000	0000053844		
	57	5.100-378.0	Shaft belt drive 1 BD 530	1.000	ST	0000053845	0000000000		
	58	7.343-115.0	Locking ring 47x1,75 -St-ph DIN 472	1.000	ST	0000000000	0000000000		
	59	7.318-004.0	Parallel key 6x6x12 -C45R DIN 6885-1	1.000	ST	0000000000	0000000000		
	60	5.100-379.0	Shaft belt drive 2	1.000	ST	0000053845	0000000000		
	60	5.100-294.0	Shaft belt drive 2	1.000	ST	0000000000	0000053844		
	61	7.343-007.0	Locking ring 20x1,2-FST-RF DIN 471	1.000	ST	0000000000	0000000000		

62 Power brush BD

ET/VT (spare/wear parts)	Pos	Material #	Name	Qty.	Unit	from ser.nr.	up to ser.nr.	var. information	Footnote text
	62	5.625-352.0	Toothed lock washer HTD 3M 125Z	1.000	ST	0000000000	0000053844		
	62	5.625-403.0	Toothed lock washer 125Z	1.000	ST	0000053845	0000000000		
X-X	63	6.348-383.0	Toothed belt HTD-447-3M-15 CXPIII	1.000	ST	0000053845	0000000000		
X-X	63	6.348-375.0	Toothed belt HTD 447-3M-10-CXPIII	1.000	ST	0000000000	0000053844		
	64	6.369-016.0	Pad green	1.000	ZSA	0000000000	0000000000		GREEN
Position text: / 1.127-251.0 / -271.0 / -451.0 / -471.0/ -476.0									
	64	6.369-015.0	Pad black	1.000	ZSA	0000000000	0000000000		BLACK
Position text: / 1.127-251.0 / -271.0 / -451.0 / -471.0/ -476.0									
	64	6.369-017.0	Pad red	1.000	ZSA	0000000000	0000000000		RED
Position text: / 1.127-251.0 / -271.0 / -451.0 / -471.0/ -476.0									
X	64	6.369-022.0	Pad black	1.000	ZSA	0000000000	0000000000		BLACK
Position text: / 1.127-151.0 / -171.0 / -351.0 / -371.0/ -379.0 / -682.0									
X-X	64	6.369-024.0	Pad red	1.000	ZSA	0000000000	0000000000		RED
Position text: / 1.127-151.0 / -171.0 / -351.0 / -371.0/ -379.0 / -682.0									
	64	6.369-960.0	Pad Mikrofaser	1.000	ZSA	0000000000	0000000000		WHITE
	64	6.369-961.0	Pad Mikrofaser	1.000	ZSA	0000000000	0000000000		WHITE
Position text: / 1.127-251.0 / -271.0 / -451.0 / -471.0									
X	64	6.369-023.0	Pad green	1.000	ZSA	0000000000	0000000000		GREEN
Position text: / 1.127-151.0 / -171.0 / -351.0 / -371.0/ -379.0 / -682.0									
X-X	65	6.906-332.0	Disk pad	1.000	ST	0000000000	0000000000		VERSION 2
Position text: / 1.127-351.0 / -371.0 / -379.0 / -682.0									
	65	6.906-331.0	Disk pad	1.000	ST	0000000000	0000000000		VERSION 2
Position text: / 1.127-251.0 / -271.0 / -451.0 / -471.0/ -476.0									
	66	6.905-866.0	Disc brush	1.000	ST				NATURE
Position text: //1.127-251.0 / -271.0 / -451.0/ -471.0/ -476.0									

62 Power brush BD

ET/VT (spare/wear parts)	Pos	Material #	Name	Qty.	Unit	from ser.nr.	up to ser.nr.	var. information	Footnote text
	66	6.905-865.0	Disc brush black (old colour grey)	1.000	ST				
Position text: //1.127-251.0 / -271.0 / -451.0 / -471.0/ -476.0									
X-X	66	6.905-864.0	Disc brush red (old colour white)	1.000	ST				STANDARD
Position text: //1.127-251.0 / -271.0 / -451.0 / -471.0/ -476.0									
	66	6.906-055.0	Disc brush black (old colour grey)	1.000	ST				
Position text: / 1.127-151.0 / -171.0 / -351.0 / -371.0/ -379.0 / -682.0									
X-X	66	6.906-054.0	Disc brush red (old colour white)	1.000	ST				STANDARD
Position text: / 1.127-151.0 / -171.0 / -351.0 / -371.0/ -379.0 / -682.0									
	66	6.906-553.0	Disc brush white (old colour black)	1.000	ST				
Position text: //1.127-251.0 / -271.0 / -451.0 / -471.0/ -476.0									
	66	6.906-056.0	Disc brush nature	1.000	ST				NATURE
Position text: / 1.127-151.0 / -171.0 / -351.0 / -371.0/ -379.0 / -682.0									
	66	6.906-552.0	Disc brush white (old colour black)	1.000	ST				
Position text: / 1.127-151.0 / -171.0 / -351.0 / -371.0/ -379.0 / -682.0									
	67	6.906-330.0	Centerlock	1.000	ST	0000000000	0000000000		
	68	5.114-497.0	Ring pad drive disk	1.000	ST	0000000000	0000000000		VERSION 1
X-X	69	6.906-332.0	Disk pad	1.000	ST	0000000000	0000000000		
Position text: / 1.127-351.0 / -371.0 / -682.0									
	69	6.906-331.0	Disk pad	1.000	ST	0000000000	0000000000		
Position text: / 1.127-251.0 / -271.0 / -451.0 / -471.0/ -476.0									
	70	7.303-063.0	Sheet metal screw ST3,5X16-ST-A2R (IN6R	3.000	ST	0000000000	0000000000		
	71	6.906-838.0	Centerlock	1.000	ST	0000000000	0000000000		
X-X	72	5.337-033.0	Plate spring	3.000	ST	0000000000	0000000000		
X-X	73	7.306-213.0	Screw M5x6 -A2-70 (In6Rd)	3.000	ST	0000000000	0000000000		
	74	7.311-200.0	Hexagon nut M6 -04-A2E ISO 4035	2.000	ST				



63 Power brush BD

ET/VT (spare/wear parts)	Pos	Material #	Name	Qty.	Unit	from ser.nr.	up to ser.nr.	var. information	Footnote text
X	1	6.389-876.0	Hose clip	1.000	ST	0000000000	0000000000		
	2	5.394-509.0	Splash-proof profile BD 530 XL	1.000	ST	0000000000	0000000000	BD 530	
X-X	2	5.394-488.0	Splash-proof profile	1.000	ST	0000000000	0000000000	BD 530 XL	
	3	6.905-865.0	Disc brush black (old colour grey)	1.000	ST	0000000000	0000000000		GREY
X-X	3	6.905-864.0	Disc brush red (old colour white)	1.000	ST	0000000000	0000000000		WHITE (STANDARD)
	3	6.906-553.0	Disc brush white (old colour black)	1.000	ST	0000000000	0000000000		BLACK
	3	6.905-866.0	Disc brush	1.000	ST	0000000000	0000000000		NATURE
	4	5.100-187.0	Shaft	1.000	ST	0000000000	0000000000		
	5	7.318-030.0	Parallel key 6x6x25 -C45R DIN 6885-1	2.000	ST	0000000000	0000000000		
X-X	6	4.122-140.0	Flange complete	1.000	ST	0000000000	0000000000		
	7	7.312-073.0	Washer 8 -CuZn ISO 7092	5.000	ST	0000000000	0000000000		
	8	7.304-538.0	Hexagonal head screw M8x16-A4-70 ISO 40	1.000	ST	0000000000	0000000000		
	9	5.389-705.0	Label	1.000	ST	0000000000	0000000000		
X	10	5.515-096.0	Roller	1.000	ST	0000000000	0000000000		
	11	5.105-278.0	Axle	1.000	ST	0000000000	0000000000		
X-X	12	6.343-224.0	Quick-fastener	2.000	ST	0000000000	0000000000		
	13	7.312-268.0	Washer 8 -A2 ISO 7094	1.000	ST	0000000000	0000000000		
	14	5.066-965.0	Cover Disc-Kopf	1.000	ST	0000000000	0000000000		
	14	5.066-987.0	Cover Disc-Kopf	1.000	ST	0000000000	0000000000		
	16	7.306-191.0	Screw M6x10 -A2-70 (In6Rd)	1.000	ST	0000000000	0000000000		
	17	6.454-059.0	Worm gearing	1.000	ST	0000000000	0000000000		
	18	6.610-216.0	Carbon brush set	1.000	ZSA	0000000000	0000000000	AMER	
X	19	7.312-022.0	Serrated lock washer A8,4-1.4310 DIN679	4.000	ST	0000000000	0000000000		
	20	7.303-067.0	Screw M8x16-ST-A3R (IN6RD)	4.000	ST	0000000000	0000000000		
	21	7.343-115.0	Locking ring 47x1,75 -St-ph DIN 472	1.000	ST	0000000000	0000000000		

63 Power brush BD

ET/VT (spare/wear parts)	Pos	Material #	Name	Qty.	Unit	from ser.nr.	up to ser.nr.	var. information	Footnote text
X	22	7.401-173.0	Ball bearing 6204-2RS-WAELZLAGST DIN 625	1.000	ST	0000000000	0000000000		
	23	7.306-090.0	Screw M6x16 -8.8-R3R (In6Rd)	4.000	ST	0000000000	0000000000		
	24	7.312-292.0	Washer 6 -A2 ISO 7093-1	4.000	ST	0000000000	0000000000		
	25	5.122-470.0	Flange worked	1.000	ST	0000000000	0000000000		
	26	6.613-289.0	Direct current motor	1.000	ST	0000000000	0000000000		
	27	7.318-070.0	Parallel key 5x5x20-C45R DIN 6885-1	1.000	ST	0000000000	0000000000		
	28	5.004-835.0	Strap	4.000	ST	0000000000	0000000000		
	29	7.306-130.0	Cylinder head screw M 6x10-A4-70 DIN 91	8.000	ST	0000000000	0000000000		
	30	5.105-325.0	Axle	1.000	ST	0000000000	0000000000		
	31	5.052-044.0	Stand BD	1.000	ST	0000000000	0000000000		
	32	6.343-149.0	Quick-fastener	2.000	ST	0000000000	0000000000		
	33	5.435-004.0	Roller D40	1.000	ST	0000000000	0000000000		
	34	5.105-266.0	Axle wheel	1.000	ST	0000000000	0000000000		
	35	5.031-519.0	Stand foot	1.000	ST	0000000000	0000000000		
	36	5.335-035.0	Spiral spring	1.000	ST	0000000000	0000000000		
	37	7.311-067.0	Hexagon nut M 6-A2-70 ISO 4032	1.000	ST	0000000000	0000000000		
X-X	38	7.343-015.0	Locking ring 15x1-FST-RF DIN 471	1.000	ST	0000000000	0000000000		
X-X	39	7.343-167.0	Locking ring 35x1,5-FST-BR DIN 472	1.000	ST	0000000000	0000000000		
	40	7.401-128.0	Ball bearing 6202-2RS -Wälzl.St DIN 625	1.000	ST	0000000000	0000000000		
X-X	41	5.435-001.0	Roller	1.000	ST	0000000000	0000000000		
	42	7.343-206.0	Lock washer 12-2.1030 DIN 6799	2.000	ST	0000000000	0000000000		
	43	4.481-289.0	Holder pressure roller completely	1.000	ST	0000000000	0000000000		
	44	5.105-274.0	Axle	1.000	ST	0000000000	0000000000		
	45	5.105-226.0	Axle	1.000	ST	0000000000	0000000000		
	46	7.304-482.0	Hexagonal head screw M 6x80-A4-70 ISO 40	1.000	ST	0000000000	0000000000		

63 Power brush BD

ET/VT (spare/wear parts)	Pos	Material #	Name	Qty.	Unit	from ser.nr.	up to ser.nr.	var. information	Footnote text
	48	7.321-011.0	Star handle K 32 DIN 6335	1.000	ST	0000000000	0000000000		
	49	7.312-074.0	Washer 10 -CuZn ISO 7092	4.000	ST	0000000000	0000000000		
X-X	50	5.337-033.0	Plate spring	3.000	ST	0000000000	0000000000		
X-X	51	7.306-213.0	Screw M5x6 -A2-70 (In6Rd)	3.000	ST	0000000000	0000000000		
	56	6.369-961.0	Pad Mikrofaser	1.000	ZSA	0000000000	0000000000		WHITE
Position text: / 1.127-251.0 / -271.0 / -451.0 / -471.0									
	56	6.369-016.0	Pad green	1.000	ZSA	0000000000	0000000000		GREEN
	56	6.369-017.0	Pad red	1.000	ZSA	0000000000	0000000000		RED
	56	6.369-015.0	Pad black	1.000	ZSA	0000000000	0000000000		BLACK
	57	5.063-840.0	Cover	1.000	ST	0000000000	0000000000		
X	58	7.303-104.0	Screw 5x16 -A2-70 (IN6RD)	3.000	ST	0000000000	0000000000		
	60	6.906-331.0	Disk pad	1.000	ST	0000000000	0000000000		
X-X	61	7.304-521.0	Hexagonal head screw M 6x16-A4-70 ISO 4	4.000	ST	0000000000	0000000000		
X-X	62	7.312-026.0	Washer 6 -A2 ISO 7090	4.000	ST	0000000000	0000000000		
	63	6.906-330.0	Centerlock	1.000	ST	0000000000	0000000000		VERSION 1
	63	6.906-838.0	Centerlock	1.000	ST	0000000000	0000000000		VERSION 2
	64	7.303-063.0	Sheet metal screw ST3,5X16-ST-A2R (IN6R	3.000	ST	0000000000	0000000000		
	65	7.311-200.0	Hexagon nut M6 -04-A2E ISO 4035	2.000	ST				

70 Add-on kit carriage

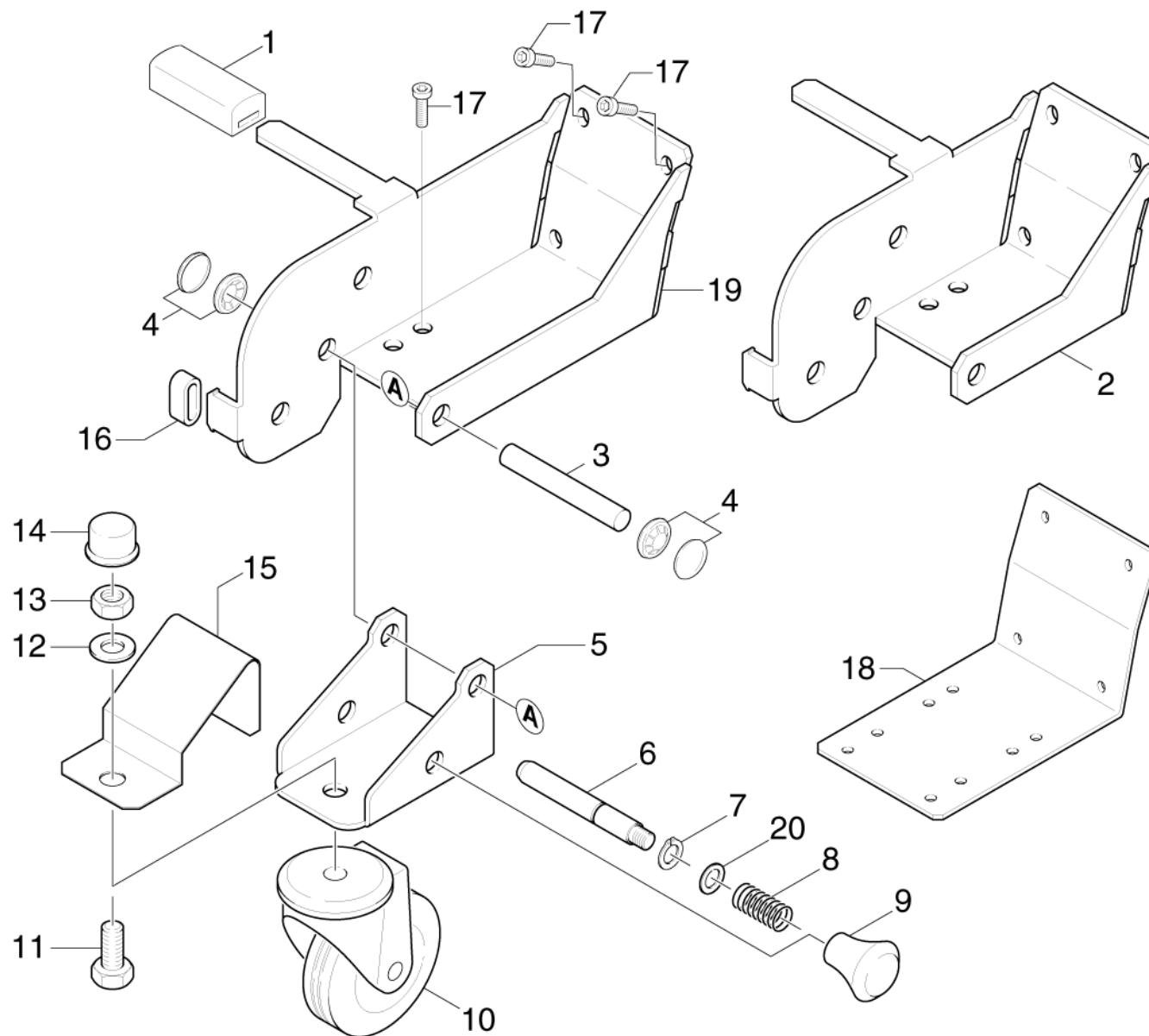
ET/VT (spare/wear parts)	Pos	Material #	Name	Qty.	Unit	from ser.nr.	up to ser.nr.
	0	2.640-100.0	Add-on kit carriage BD 530 XL	1.000	ST	0000000000	0000000000
Position text: // 1.127-451.0 / -471.0 / -476.0							
	0	2.640-099.0	Add-on kit carriage BD530	1.000	ST	0000000000	0000000000
Position text: // 1.127-351.0 / -371.0 / -682.0							
	1	5.321-457.0	Handhold	1.000	ST	0000000000	0000000000
	2	5.044-540.0	Holder carriage	1.000	ST	0000000000	0000000000
	3	5.105-336.0	Axle	1.000	ST	0000000000	0000000000
X	4	6.343-191.0	Quick-fastener	2.000	ST	0000000000	0000000000
	5	5.044-445.0	Holder wheel	1.000	ST	0000000000	0000000000
	6	5.317-001.0	Bolt	1.000	ST	0000000000	0000000000
	7	7.343-300.0	Lock washer 7-A2 DIN 6799	1.000	ST	0000000000	0000000000
	8	5.332-288.0	Helical spring	1.000	ST	0000000000	0000000000
	9	6.321-001.0	Button M8	1.000	ST	0000000000	0000000000
X	10	6.435-061.0	Castor D 75	1.000	ST	0000000000	0000000000
	11	7.306-061.0	Cylinder head screw M10X 20-8.8-A2R ISO	1.000	ST	0000000000	0000000000
	12	7.312-066.0	Washer 10 -A2 ISO 7090	1.000	ST	0000000000	0000000000
	13	7.311-066.0	Hexagon nut M10-A2-70 ISO 4032	1.000	ST	0000000000	0000000000
	14	6.368-354.0	Cap M 10	1.000	ST	0000000000	0000000000
	15		Stockpiling discontinued	1.000	ST	0000000000	0000000000
	16	5.442-982.0	Piece of tube	1.000	ST	0000000000	0000000000
	17	7.303-112.0	Screw 6x20 -10.9-R2R (In6Rd)	4.000	ST	0000000000	0000000000
	18	5.387-013.0	Template carriage BD 530/BD 530 XL	1.000	ST	0000000000	0000000000
	19	5.044-560.0	Holder carriage XL	1.000	ST	0000000000	0000000000
	20	7.362-003.0	Joint ring A10x13,5 -Cu DIN 7603	1.000	ST	0000000000	0000000000

0 Add-on kit carriage BD530 (2.640-099.0)

Pos	Name	Qty.	Unit	from ser.nr.	up to ser.nr.
1	Assembly instruction add-on kit carriage	1.000	ST	0000000000	0000000000
Position text: 26400990					
999	Spare parts list add-on kit carriage BD	1.000	ST		

999 Spare parts list add-on kit carriage BD

Pos	Name	Qty.	Unit	from ser.nr.	up to ser.nr.
10	Individual parts	1.000	ST	0000000000	0000000000



10 Individual parts

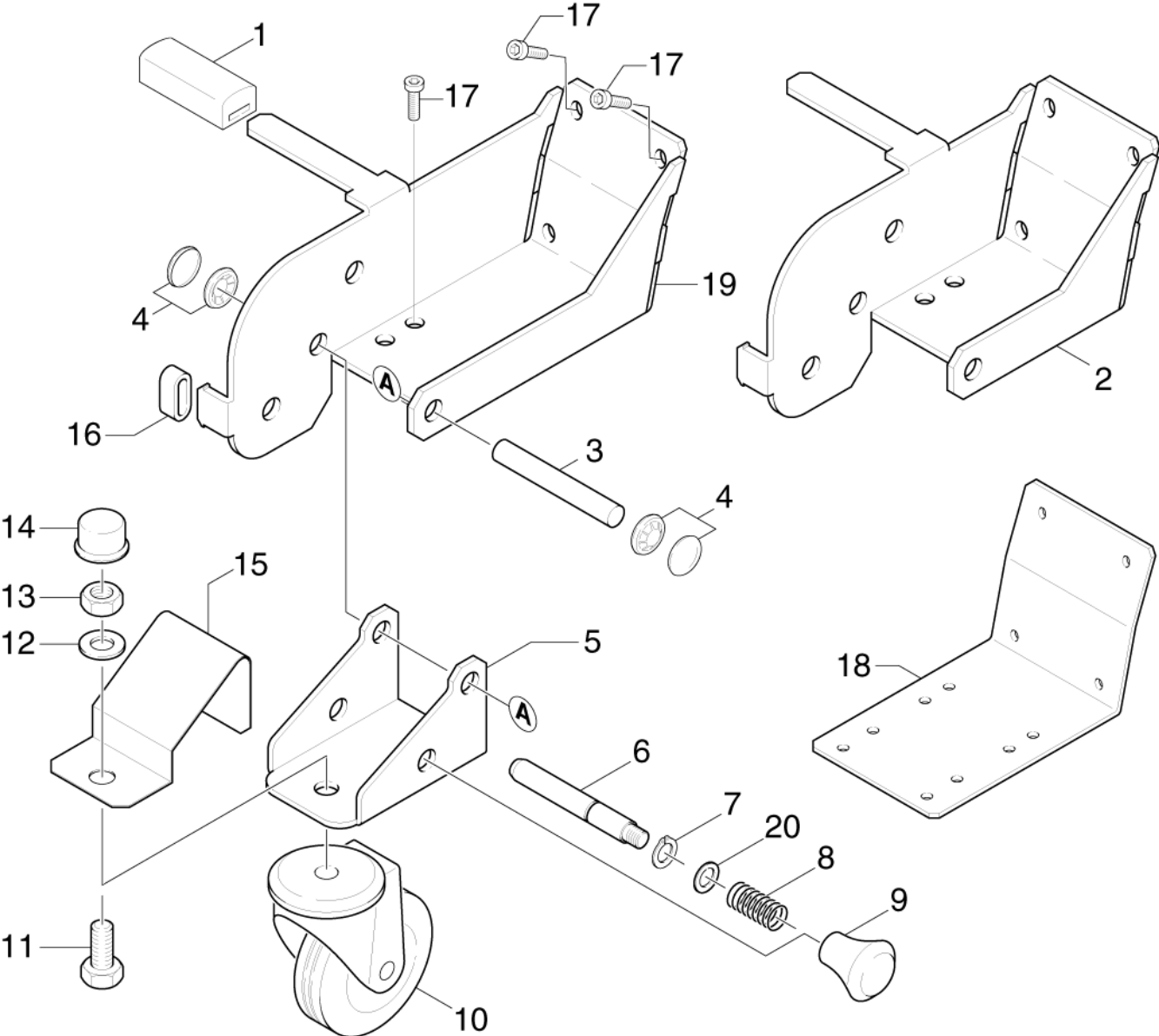
ET/VT (spare/wear parts)	Pos	Material #	Name	Qty.	Unit	from ser.nr.	up to ser.nr.	var. information
	1	5.321-457.0	Handhold	1.000	ST	0000000000	0000000000	
	2	5.044-540.0	Holder carriage	1.000	ST	0000000000	0000000000	BD
	3	5.105-336.0	Axle	1.000	ST	0000000000	0000000000	
X	4	6.343-191.0	Quick-fastener	2.000	ST	0000000000	0000000000	
	5	5.044-445.0	Holder wheel	1.000	ST	0000000000	0000000000	
	6	5.317-001.0	Bolt	1.000	ST	0000000000	0000000000	
	7	7.343-300.0	Lock washer 7-A2 DIN 6799	1.000	ST	0000000000	0000000000	
	8	5.332-288.0	Helical spring	1.000	ST	0000000000	0000000000	
	9	6.321-001.0	Button M8	1.000	ST	0000000000	0000000000	
X	10	6.435-061.0	Castor D 75	1.000	ST	0000000000	0000000000	
	11	7.306-061.0	Cylinder head screw M10X 20-8.8-A2R ISO	1.000	ST	0000000000	0000000000	
	12	7.312-066.0	Washer 10 -A2 ISO 7090	1.000	ST	0000000000	0000000000	
	13	7.311-066.0	Hexagon nut M10-A2-70 ISO 4032	1.000	ST	0000000000	0000000000	
	14	6.368-354.0	Cap M 10	1.000	ST	0000000000	0000000000	
	15		Stockpiling discontinued	1.000	ST	0000000000	0000000000	
	16	5.442-982.0	Piece of tube	1.000	ST	0000000000	0000000000	
	17	7.303-112.0	Screw 6x20 -10.9-R2R (In6Rd)	4.000	ST	0000000000	0000000000	
	18	5.387-013.0	Template carriage BD 530/BD 530 XL	1.000	ST	0000000000	0000000000	
	19	5.044-560.0	Holder carriage XL	1.000	ST	0000000000	0000000000	BD XL
	20	7.362-003.0	Joint ring A10x13,5 -Cu DIN 7603	1.000	ST	0000000000	0000000000	

0 Add-on kit carriage BD 530 XL (2.640-100.0)

Pos	Name	Qty.	Unit	from ser.nr.	up to ser.nr.
1	Assembly instruction add-on kit carriage	1.000	ST	0000000000	0000000000
Position text: 26401000					
999	Spare parts list add-on kit carriage BD	1.000	ST		

999 Spare parts list add-on kit carriage BD

Pos	Name	Qty.	Unit	from ser.nr.	up to ser.nr.
10	Individual parts	1.000	ST	0000000000	0000000000



10 Individual parts

ET/VT (spare/wear parts)	Pos	Material #	Name	Qty.	Unit	from ser.nr.	up to ser.nr.	var. information
	1	5.321-457.0	Handhold	1.000	ST	0000000000	0000000000	
	2	5.044-540.0	Holder carriage	1.000	ST	0000000000	0000000000	BD
	3	5.105-336.0	Axle	1.000	ST	0000000000	0000000000	
X	4	6.343-191.0	Quick-fastener	2.000	ST	0000000000	0000000000	
	5	5.044-445.0	Holder wheel	1.000	ST	0000000000	0000000000	
	6	5.317-001.0	Bolt	1.000	ST	0000000000	0000000000	
	7	7.343-300.0	Lock washer 7-A2 DIN 6799	1.000	ST	0000000000	0000000000	
	8	5.332-288.0	Helical spring	1.000	ST	0000000000	0000000000	
	9	6.321-001.0	Button M8	1.000	ST	0000000000	0000000000	
X	10	6.435-061.0	Castor D 75	1.000	ST	0000000000	0000000000	
	11	7.306-061.0	Cylinder head screw M10X 20-8.8-A2R ISO	1.000	ST	0000000000	0000000000	
	12	7.312-066.0	Washer 10 -A2 ISO 7090	1.000	ST	0000000000	0000000000	
	13	7.311-066.0	Hexagon nut M10-A2-70 ISO 4032	1.000	ST	0000000000	0000000000	
	14	6.368-354.0	Cap M 10	1.000	ST	0000000000	0000000000	
	15		Stockpiling discontinued	1.000	ST	0000000000	0000000000	
	16	5.442-982.0	Piece of tube	1.000	ST	0000000000	0000000000	
	17	7.303-112.0	Screw 6x20 -10.9-R2R (In6Rd)	4.000	ST	0000000000	0000000000	
	18	5.387-013.0	Template carriage BD 530/BD 530 XL	1.000	ST	0000000000	0000000000	
	19	5.044-560.0	Holder carriage XL	1.000	ST	0000000000	0000000000	BD XL
	20	7.362-003.0	Joint ring A10x13,5 -Cu DIN 7603	1.000	ST	0000000000	0000000000	