

**Ersatzteilliste
Spare Parts List
Liste des pièces de rechange**

BD 530 BAT

- 1.127-351.0 BD-530 PACKAGE**
- 1.127-371.0 BD-530 BAT O.SAUGB.**
- 1.127-451.0 BD-530 XL PACKAGE**
- 1.127-471.0 BD-530 XL BAT**
- 1.127-682.0 BD-530 BAT-TORN*USA**
- 1.127-882.0 BD-530 XLBAT TO*USA**

Kopfzeile: Grün

BD 530 BAT

1.127-351.0	BD-530 PACKAGE
1.127-371.0	BD-530 BAT O.SAUGB.
1.127-451.0	BD-530 XL PACKAGE
1.127-471.0	BD-530 XL BAT
1.127-682.0	BD-530 BAT-TORN*USA
1.127-882.0	BD-530 XLBAT TO*USA

A0013015
12 2001
5.958-773.0

GRUPPE: 1.0 HAUBE UND MOTOR
GROUP: 1.0 COVER
GRUPPE: 1.0 CAPOT

A1

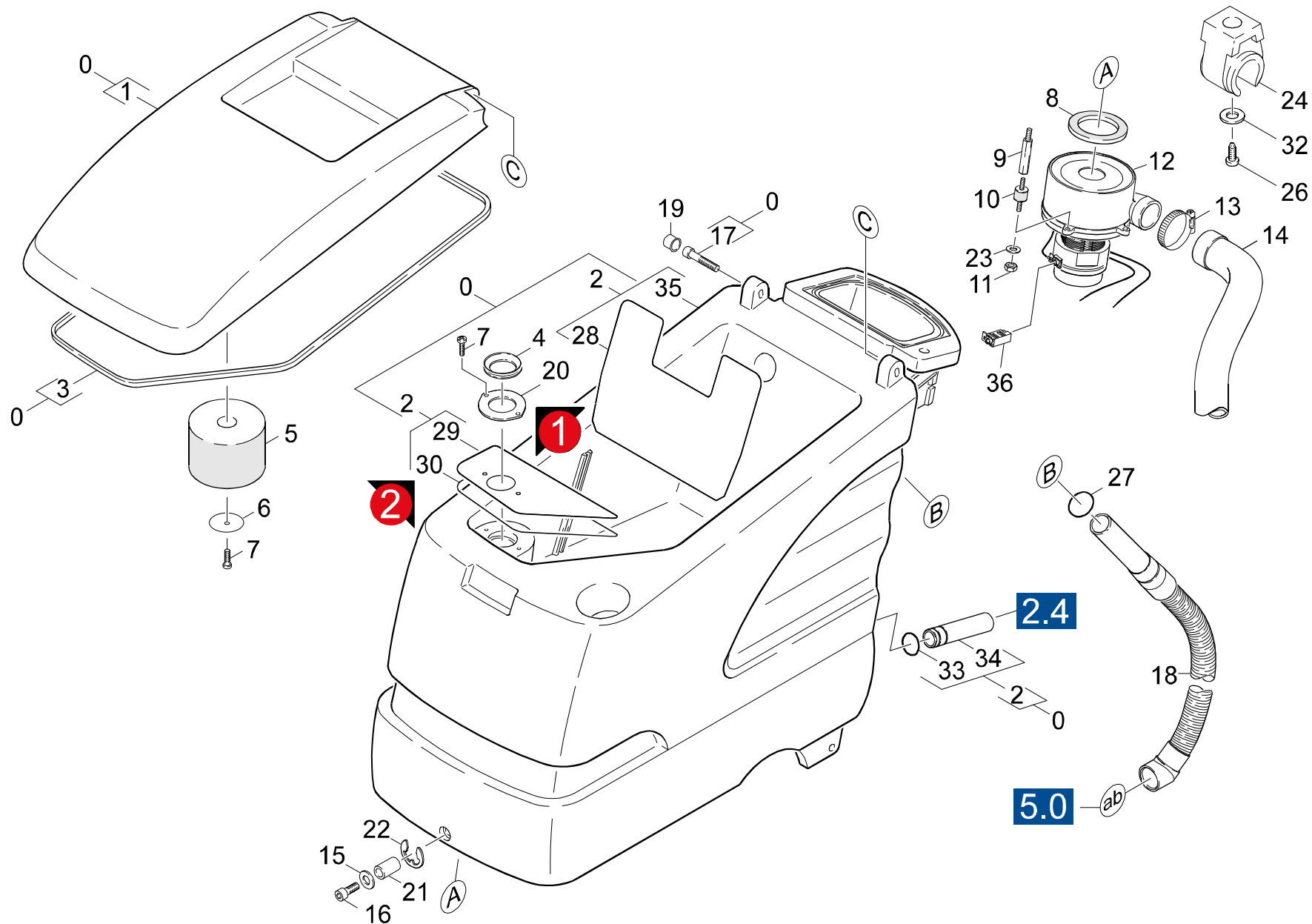
BD 530 BAT

GRUPPE: 1.0 HAUBE UND MOTOR
GROUP: 1.0 COVER
GRUPPE: 1.0 CAPOT

GRUPPE: 1.0 HAUBE UND MOTOR
GROUP: 1.0 COVER
GRUPPE: 1.0 CAPOT

B1

BD 530 BAT



Symbolbeschreibung siehe M16 / symbol description see M16 / désignation de système voir M16 /

GRUPPE: 1.0 HAUBE UND MOTOR
 GROUP: 1.0 COVER
 GROUPE: 1.0 CAPOT

C1

BD 530 BAT

POS. ITM. POS.	BENNENUNNG DESCRIPTION DESIGNATION	TEILE-NR. PART-NO. NO.PIECE	STCK QTY. NBR.	POS. ITM. POS.	BENNENUNNG DESCRIPTION DESIGNATION	TEILE-NR. PART-NO. NO.PIECE	STCK QTY. NBR.
0	GEHAEUSE U.DECKEL / HOUSING / BOITIER	4.605-067.0	1	29	BLECH / PLATE / TOLE	5.001-813.0	1
1	DECKEL / COVER / COUVERCLE	5.063-766.0	1		VERSION 2/VERSION 2/VERSION 2		
2	GEHAEUSE KOMPL / HOUSING / BOITIER	4.605-041.0	1	30	DICHTUNG / SEAL / BOURRAGE	5.363-420.0	1
	/=> 35011				VERSION 2/VERSION 2/VERSION 2		
3	DICHTUNGSPROFIL / PROFILED JOINT / JOINT D'ETANCHEITE PROF.	6.366-043.0	2	32	SCHEIBE A 8,4 / WASHER / RONDELLE	7.312-017.0	1
	ALS METERWARE BESTELLEN/TO ORDER AS CUT GOODS/COMMANDE COMME MARCHANDISE AU METRE			33	O-RING 26,0 X 2,5 / GASKET / BAQUE D'ETANCHEITE	6.362-385.0	1
4	DICHTRING / JOINT RING / BAGUE D'ETANCHEITE	5.363-344.0	1	34	ROHR / PIPE / TUYAU	5.128-352.0	1
5	SCHWIMMER / FLOAT / FLOTTEUR	5.585-028.0	1	35	GEHAEUSE KOMPL / HOUSING / BOITIER	4.605-056.0	1
6	SCHEIBE / WASHER / RONDELLE	5.115-754.0	1		35012 =>		
7	SCHRAUBE 5 X 16 / SCREW / VIS	7.303-107.0	3	36	KOHLBUERSTENSET / CARBON BRUSH SET / CHARBONS	6.610-220.0	1
8	DICHTRING / JOINT RING / BAGUE D'ETANCHEITE	5.363-195.0	1				
9	STEBBOLZEN / BOLT / GOUCHON FILETE	5.308-056.0	3				
10	GUMMIPUFFER 2XM6 / RUBBER BUFFER / BUTOIR CAOUTCHOUC	6.339-021.0	3				
11	6KT-MUTTER M 6 / HEXAGON NUT / ECROU HEXAGONAL	7.311-067.0	3				
12	SAUGTURBINE 24V / VACUUM MOTOR / TURBINE D'ASPIRATION	6.490-115.0	1				
13	SCHLAUCHSCHELLE / HOSE BAND CLIP / COLLIER DE SERRAGE	6.388-713.0	1				
14	SCHALLDAEMMSCHLAUCH / SOUNDPROOF HOSE / TUYAU FLEX. INSONORE	6.390-215.0	1				
15	SCHEIBE 8,4 / WASHER / RONDELLE	7.312-277.0	1				
16	SCHRAUBE / SCREW / VIS	5.304-068.0	1				
17	ZYL.SCHR. M 8X 45 / CHEESE HEAD SCREW / VIS A TETE CYLINDR.	7.306-049.0	2				
18	SAUGSCHLAUCH DN 32 / SUCTION HOSE / FLEXIBLE D'ASPIRATION	6.390-730.0	1				
19	SCHUTZKAPPE / PROTECTING CAP / CAPOT PROTECTION	6.368-295.0	2				
20	BLECH / PLATE / TOLE	5.001-752.0	1				
	VERSION 1/VERSION 1/VERSION 1						
21	HUELSE / SLEEVE / DOUILLE	5.110-680.0	1				
22	S-SCHEIBE 6 / LOCK WASHER / RONDELLE D'ARRET	7.343-204.0	1				
23	SCHEIBE 6,4 / WASHER / RONDELLE	7.312-276.0	3				
25	KABELBAND / CABLE TIE / PROTECT. DE CABLE	6.647-081.0	1				
26	SCHRAUBE M 6X 16 / SCREW / VIS	7.306-031.0	1				
27	O-RING 40,0 X 3,0 / GASKET / BAQUE D'ETANCHEITE	6.362-089.0	1				
28	BLECH / PLATE / TOLE	5.001-762.0	1				

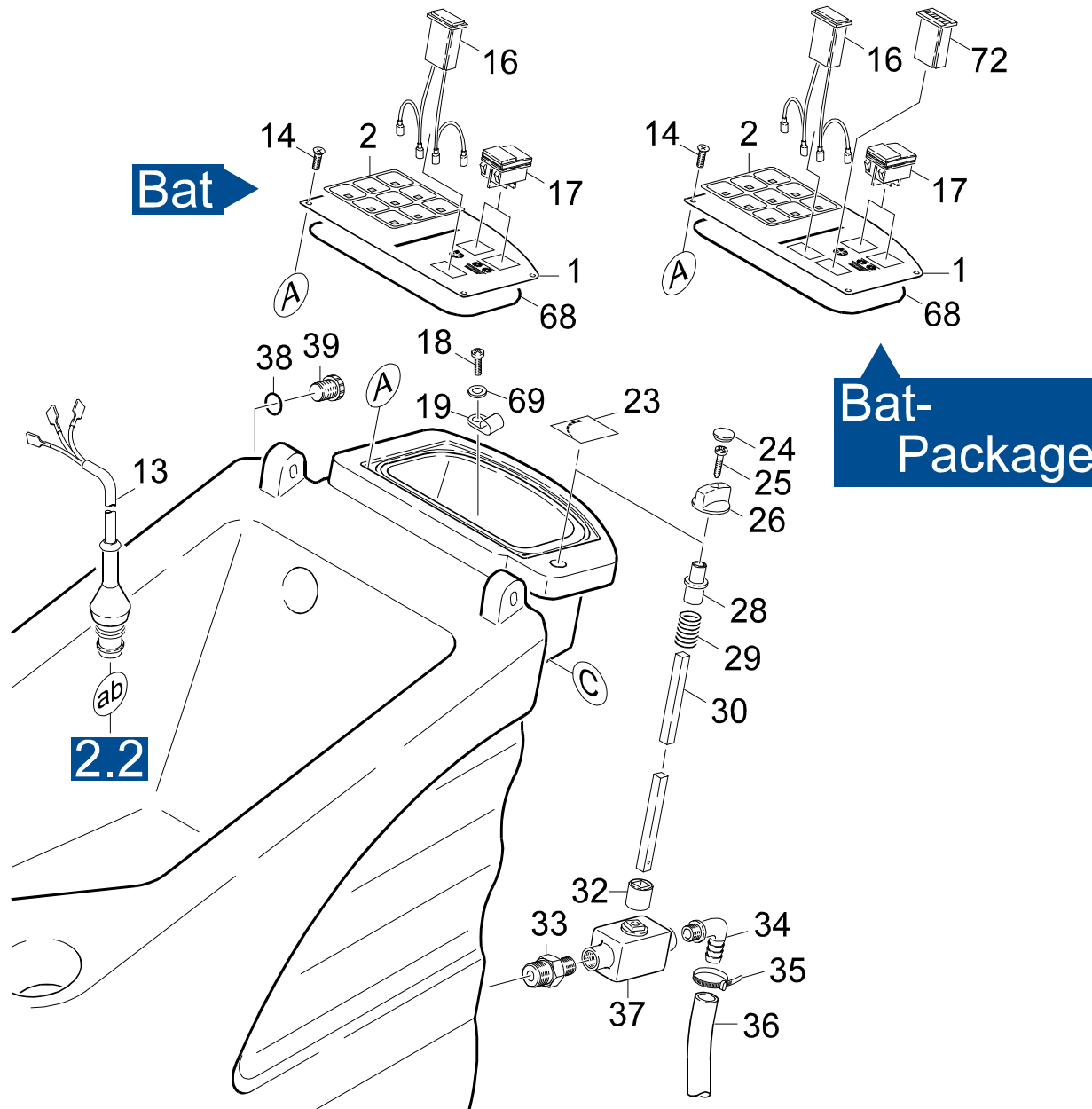
"=> xxxxxx" = bis Werknummer / up to serial No. / jusqu' au No. de fabr. / "xxxxxx =>" = ab Werknummer / from serial No. / a partir du No. de fabr. /

GRUPPE: 2.0 GERAET-EINZELTEILE
GROUP: 2.0 APPLIANCE - PIECE PARTS
GRUPPE: 2.0 USTENSILE-PIECES CONSTIT.

A2

BD 530 BAT

GRUPPE: 2.0 GERAET-EINZELTEILE
GROUP: 2.0 APPLIANCE - PIECE PARTS
GRUPPE: 2.0 USTENSILE-PIECES CONSTIT.



Symbolbeschreibung siehe M16 / symbol description see M16 / désignation de système voir M16 /

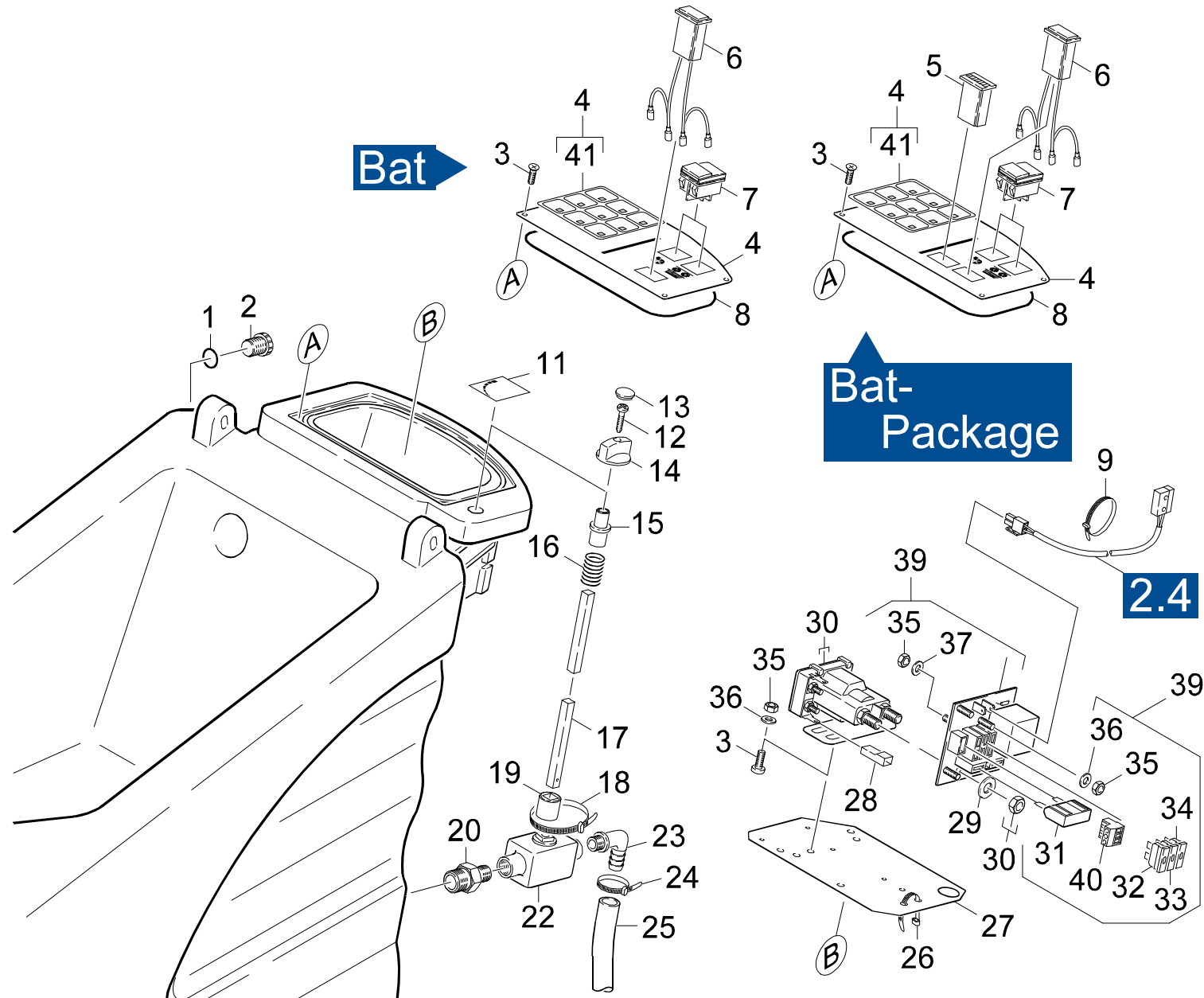
GRUPPE: 2.1 INSTRUMENTENTAFEL / /=> 35011
GROUP: 2.1 CONTROL PANEL / /=> 35011
GRUPPE: 2.1 TABLEAU DE BORD / /=> 35011

C2

BD 530 BAT

POS. ITM. POS.	BENNENUNG DESCRIPTION DESIGNATION	TEILE-NR. PART-NO. NO.PIECE	STCK QTY. NBR.
1	INSTRUMENTENTAFEL / CONTROL PANEL / TABLEAU DE BORD BAT	5.841-346.0	1
1	INSTRUMENTENTAFEL / CONTROL PANEL / TABLEAU DE BORD BAT-PACKAGE	5.841-351.0	1
13	E-KLEINTEILE / ELECTRIC PARTS / PETIT MATERIEL DE MONTAGE	4.839-216.0	1
14	LINSENSCHR. 4X 16 / OVAL HEAD SCREW / VIS A TETE BOMBEE	6.303-209.0	4
16	BATTERIEUEBERWACH. / BATTERY MONITOR / SURVEILLANCE DE BATTERIE	6.682-395.0	1
17	SCHALTER 2-POLIG / SWITCH / INTERRUPTEUR	6.630-005.0	2
18	SCHRAUBE 5X16 / SCREW / VIS	6.303-155.0	1
19	ROHRSCHELLE / PIPE CLAMP / COLLIER D'ATTACHE	6.373-670.0	1
23	SCHILD WASSERHAHN / DECAL / PLAQUE	5.382-594.0	1
24	ZIERKAPPE D10/D12 / ORNAMENTAL HUB CAP / ENJOLIVEUR DE ROUE	6.368-076.0	1
25	BL.SCHR. ST3,5X25,0 / SHEET METAL SCREW / VIS A TOLE	7.303-053.0	1
26	GRIFF / HANDLE / POIGNEE	5.321-509.0	1
28	KUPPLUNG / COUPLER / COUPLEUR	5.470-034.0	1
29	SCHRAUBENFEDER / HELICAL SPRING / RESSORT CYLINDRIQUE	5.332-290.0	1
30	STANGE / BAR / TIGE	5.107-195.0	1
32	KUPPLUNG / COUPLER / COUPLEUR	5.470-033.0	1
33	DOPPELNIPPEL / DOUBLE NIPPLE / NIPPLE DOUBLE	5.409-266.0	1
34	WINKELTUELLE / ANGLE SOCKET / COUDE	6.390-002.0	1
35	KABELBAND 8-210 / CABLE TIE / PROTECT. DE CABLE	6.641-474.0	2
36	SCHLAUCH DN12,5 / HOSE / TUYAU FLEXIBLE ALS METERWARE BESTELLEN/TO ORDER AS CUT GOODS/COMMANDE COMME MARCHANDISE AU METRE	6.388-248.0	1
37	KUGELHAHN / BALL VALVE / ROBINET SPHERIQUE	6.412-289.0	1
38	O-RING 10,0 X 2,0 / GASKET / BAQUE D'ETANCHEITE	6.362-151.0	1
39	VERSCHLUSSCHRAUBE / CLOSING SCREW / VIS DE FERMETURE	6.382-001.0	1
68	MOOSGUMMISCHNUR / CELLULAR RUBBER CORD / CORDON EN CAOUTCHOUC CELL	6.273-145.0	1
69	SCHEIBE 5,3 / WASHER / RONDELLE	7.312-278.0	1
72	BETRIEBSSTUNDENZAЕ. / HOUR METRE / COMPTEUR HORRAIRE	6.682-458.0	1

"=> xxxxxx" = bis Werknummer / up to serial No. / jusqu' au No. de fabr. / "xxxxxx =>" = ab Werknummer / from serial No. / a partir du No. de fabr. /



Symbolbeschreibung siehe M16 / symbol description see M16 / désignation de système voir M16 /

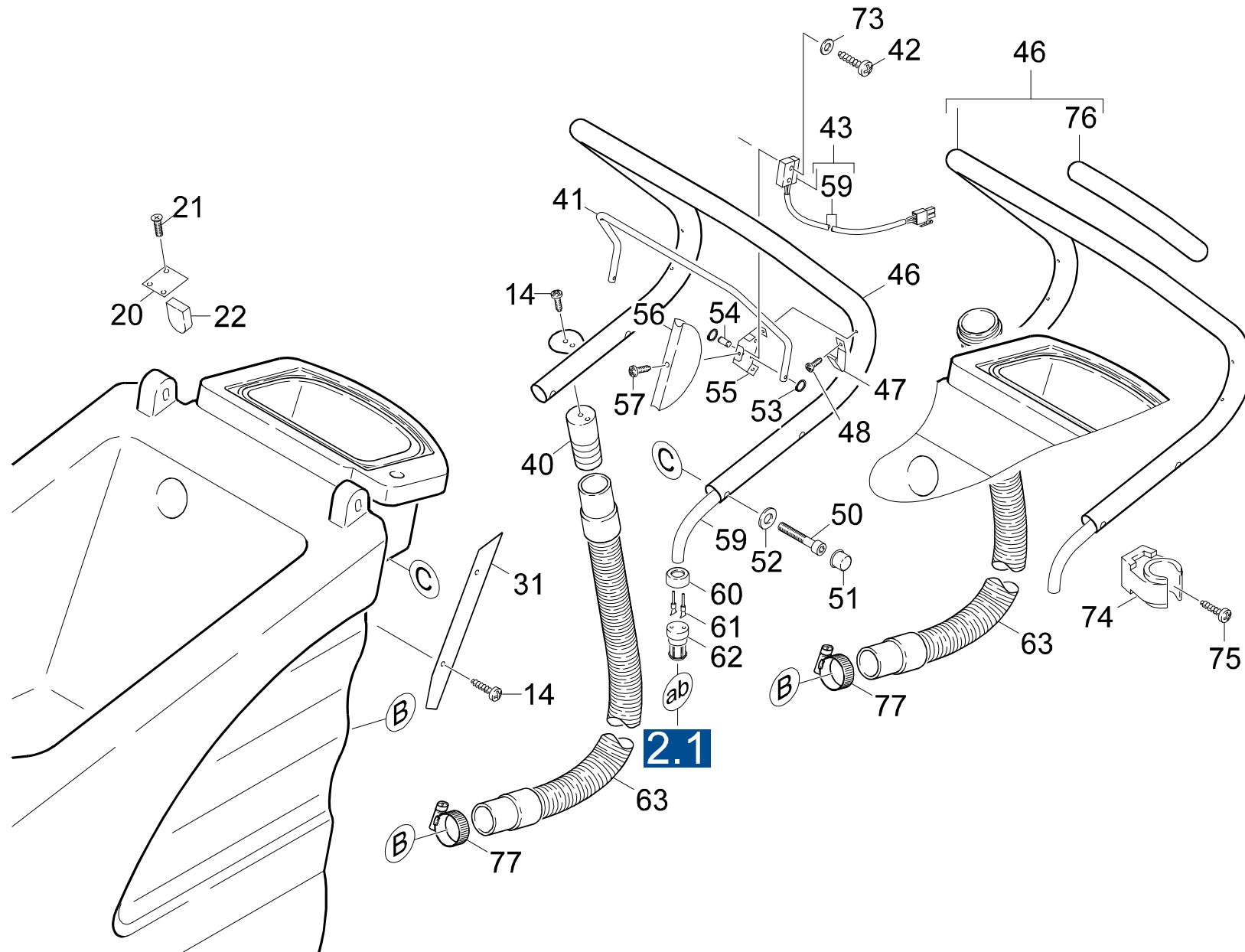
GRUPPE: 2.2 INSTRUMENTENTAFEL / 35012 =>
 GROUP: 2.2 CONTROL PANEL / 35012 =>
 GROUPE: 2.2 TABLEAU DE BORD / 35012 =>

E2

BD 530 BAT

POS. ITM. POS.	BENNENNUNG DESCRIPTION DESIGNATION	TEILE-NR. PART-NO. NO.PIECE	STCK QTY. NBR.	POS. ITM. POS.	BENNENNUNG DESCRIPTION DESIGNATION	TEILE-NR. PART-NO. NO.PIECE	STCK QTY. NBR.
1	FLACHDICHTUNG 13X20 / SEAL / GARNITURE PLATE	6.641-654.0	1	28	ISOLIERGEHAEUSE / INSULATING HOUSING / BOITIER ISOLANTE	6.647-748.0	11
2	VERSCHLUSS KAPPE / CLOSURE / FERMOIR	6.382-003.0	1	29	SCHEIBE B 8,4 / WASHER / RONDELLE	7.312-004.0	4
3	SCHRAUBE M 5X 10 / SCREW / VIS	7.306-071.0	6	30	LEISTUNGSRELAIS / POWER RELAY / RELAIS DE PUISSANCE	6.633-389.0	1
4	INSTRUMENTENTAFEL / CONTROL PANEL / TABLEAU DE BORD	4.841-118.0	1	31	SICHERUNGSEINS C 30 / FUSE INSERT / CARTOUCHE FUSIBLE	7.644-040.0	1
	BAT			32	SICHERUNGSEINSATZ / FUSE INSERT / CARTOUCHE FUSIBLE	6.644-277.0	1
4	INSTRUMENTENTAFEL / CONTROL PANEL / TABLEAU DE BORD	4.841-120.0	1	33	SICHERUNGSEINS C3 / FUSE INSERT / CARTOUCHE FUSIBLE	7.644-006.0	1
	BAT-PACKAGE			34	SICHERUNGSEINS C 15 / FUSE INSERT / CARTOUCHE FUSIBLE	7.644-018.0	1
5	BETRIEBSSTUNDENZAEL. / HOUR METRE / COMPTEUR HORRAIRE	6.681-088.0	1	35	6KT-MUTTER M 5 / HEXAGON NUT / ECROU HEXAGONAL	7.311-002.0	9
6	E-AUSRUESTUNG BAT P / ELECTRIC EQUIPMENT / EQUIPEMENT ELECTRIQUE	2.816-036.0	1	36	SCHEIBE B 5,3 / WASHER / RONDELLE	7.312-002.0	3
6	BATTERIEUEBERWACH. / BATTERY MONITOR / SURVEILLANCE DE BATTERIE	6.682-395.0	1	37	SCHEIBE 5,3 / WASHER / RONDELLE	7.312-278.0	4
7	SCHALTER 2-POLIG / SWITCH / INTERRUPTEUR	6.630-005.0	2	39	PLATINE VERTEILER / CIRCUIT BOARD / PLATINE	6.682-570.0	1
8	MOOSGUMMISCHNUR D7 / CELLULAR RUBBER CORD / CORDON EN CAOUTCHOUC CELL	6.273-195.0	1	40	STECKER 3-POLIG / PLUG / FICHE	6.646-471.0	1
9	KABELBAND / CABLE TIE / PROTECT. DE CABLE	6.641-458.0	1	41	SCHILD / DECAL / PLAQUE	5.380-209.0	1
11	SCHILD WASSERHAHN / DECAL / PLAQUE	5.382-594.0	1				
12	BL.SCHR. ST3,5X25 / SHEET METAL SCREW / VIS A TOLE	7.303-065.0	1				
13	ZIERKAPPE D10/D12 / ORNAMENTAL HUB CAP / ENJOLIVEUR DE ROUE	6.368-076.0	1				
14	GRIFF / HANDLE / POIGNEE	5.321-509.0	1				
15	KUPPLUNG / COUPLER / COUPLEUR	5.470-034.0	1				
16	SCHRAUBENFEDER / HELICAL SPRING / RESSORT CYLINDRIQUE	5.332-290.0	1				
17	STANGE / BAR / TIGE	5.107-195.0	1				
18	KABELBINDER / TIE BAND / SERRE-CABLE	6.641-464.0	6				
19	KUPPLUNG / COUPLER / COUPLEUR	5.470-033.0	1				
20	DOPPELNIPPEL / DOUBLE NIPPLE / NIPPLE DOUBLE	5.409-306.0	1				
22	KUGELHAHN / BALL VALVE / ROBINET SPHERIQUE	6.412-289.0	1				
23	WINKELTUELLE / ANGLE SOCKET / COUDE	6.390-002.0	1				
24	SCHLAUCHSCHELLE / HOSE BAND CLIP / COLLIER DE SERRAGE	6.388-545.0	1				
25	SCHLAUCH DN12,5 / HOSE / TUYAU FLEXIBLE	6.388-248.0	2				
	ALS METERWARE BESTELLEN/TO ORDER AS CUT GOODS/COMMANDE COMME MARCHANDISE AU METRE						
26	KABELBAND / CABLE TIE / PROTECT. DE CABLE	6.641-463.0	1				
27	PLATTE / PLATE / PLAQUE	5.007-204.0	1				

"=> xxxxxx" = bis Werknummer / up to serial No. / jusqu' au No. de fabr. / "xxxxxx =>" = ab Werknummer / from serial No. / a partir du No. de fabr. /



Symbolbeschreibung siehe M16 / symbol description see M16 / désignation de système voir M16 /

GRUPPE: 2.3 GRIFF / / => 35011
 GROUP: 2.3 HANDLE / / => 35011
 GROUPE: 2.3 POIGNEE / / => 35011

G2

BD 530 BAT

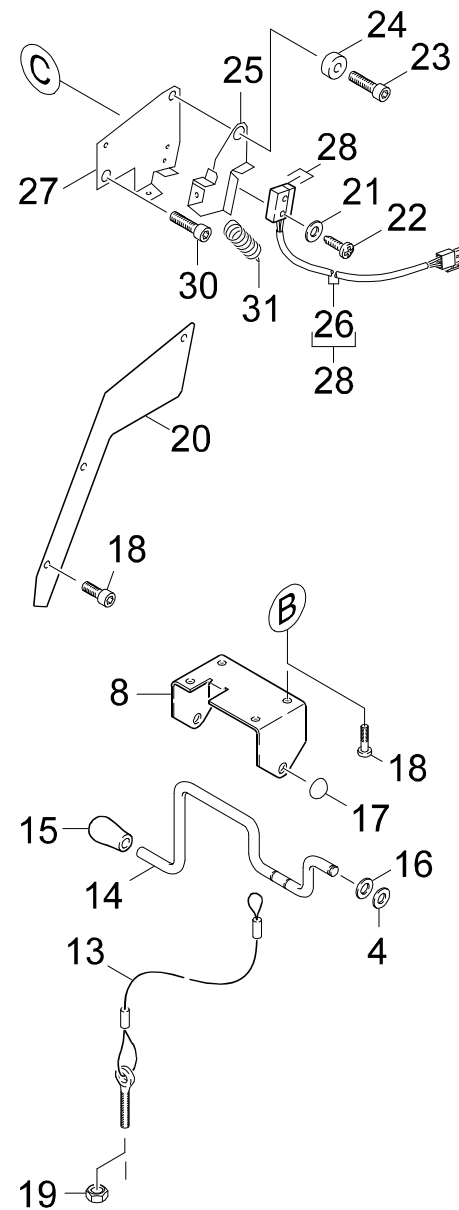
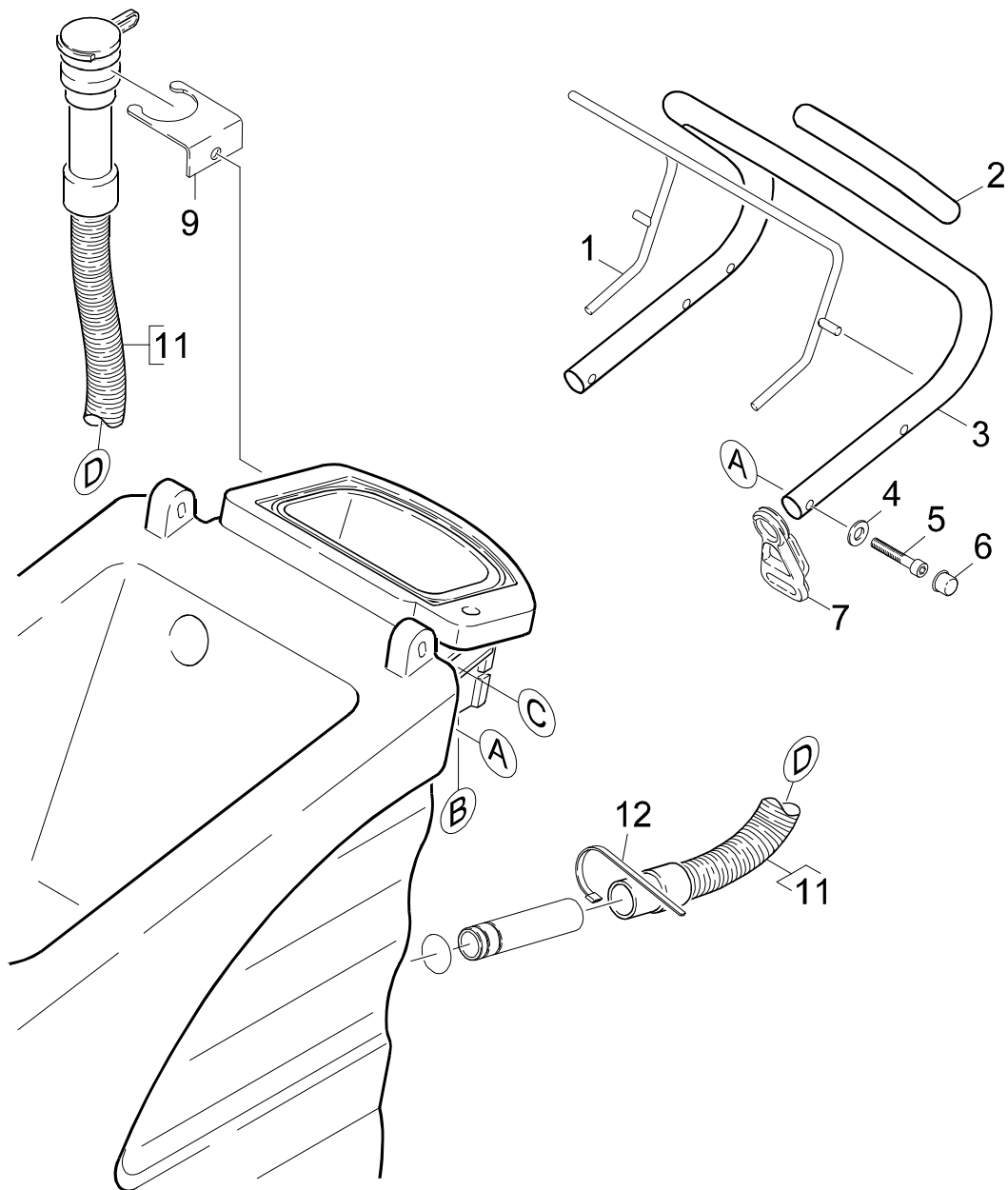
POS. ITM. POS.	BENNENNUNG DESCRIPTION DESIGNATION	TEILE-NR. PART-NO. NO.PIECE	STCK QTY. NBR.	POS. ITM. POS.	BENNENNUNG DESCRIPTION DESIGNATION	TEILE-NR. PART-NO. NO.PIECE	STCK QTY. NBR.
14	LINSENSCHR. 4X 16 / OVAL HEAD SCREW / VIS A TETE BOMBEE	6.303-209.0	3	63	ABLASSSCHLAUCH DN32 / DRAIN HOSE / TUYAU FLEX. D'ECOULEMENT	6.390-177.0	1
20	LASCHE / RETAINER CLIP / ECLISSE	5.004-837.0	1		/ => 14769		
21	SENKSCHR. 4 X 16 / FLAT HEADED SCREW / VIS A TETE CONIQUE	7.303-125.0	3	73	SCHEIBE A 4,3 / WASHER / RONDELLE	7.312-067.0	2
22	DICHTUNG / SEAL / BOURRAGE	5.365-220.0	2	74	ROHRKLEMM D 63 / PIPE CLIP / BORNE	6.373-692.0	1
31	BLECH / PLATE / TOLE	5.001-716.0	1		14815 =>		
40	FORMTEIL / MOULDED PART / PREFORME	5.030-350.0	1	75	ZYL.SCHR. M 8X 12 / CHEESE HEAD SCREW / VIS A TETE CYLINDR.	7.306-119.0	1
	/ => 14814				14815 =>		
41	BUEGEL / STRAP / ETRIER	5.034-554.0	1	76	SCHLAUCHSTUECK / HOSE / BOUT DE TUYAU	5.442-930.0	1
42	BL.SCHR. ST2,2X13,0 / SHEET METAL SCREW / VIS A TOLE	7.303-386.0	2		14815 =>		
43	SCHALTER MIKRO / SWITCH / INTERRUPTEUR	4.744-154.0	1	77	SCHLAUCHSCHELLE / HOSE BAND CLIP / COLLIER DE SERRAGE	6.388-549.0	1
46	GRIFF / HANDLE / POIGNEE	4.321-099.0	1				
	/ => 14814						
46	GRIFF / HANDLE / POIGNEE	4.321-134.0	1				
	14815 =>						
47	BLATTFEDER / PLATE SPRING / RESSORT A LAMES	5.337-031.0	1				
48	SCHRAUBE M 4X 10 / SCREW / VIS	7.303-031.0	4				
50	ZYL.SCHR. M 8X 35 / CHEESE HEAD SCREW / VIS A TETE CYLINDR.	7.306-044.0	4				
51	SCHUTZKAPPE / PROTECTING CAP / CAPOT PROTECTION	6.368-295.0	4				
52	SCHEIBE B 8,4 / WASHER / RONDELLE	7.312-004.0	4				
53	S-SCHEIBE 3,2 / LOCK WASHER / RONDELLE D'ARRET	7.343-305.0	4				
54	BOLZEN / BOLT / BOULON	5.316-862.0	2				
55	HALTER / BRACKET / FIXATION	5.044-120.0	2				
56	ABDECKUNG / COVERING CAP / CHAPEAU	5.031-541.0	1				
57	BL.SCHR. ST4,2X 6,5 / SHEET METAL SCREW / VIS A TOLE	7.303-135.0	2				
59	ISOLIERSCHLAUCH 4 / INSULATING HOSE / TUYAU ISOLANT	6.642-003.0	1				
	ALS METERWARE BESTELLEN/TO ORDER AS CUT GOODS/COMMANDE COMME MARCHANDISE AU METRE						
60	GUMMIKAPPE 2-ADRIG / RUBBER CAP / CAPUCHON EN CAOUTCHOUC	6.647-994.0	1				
61	STIFTKONTAKT / PIN / CHEVILLE	6.646-390.0	3				
	STUECKZAHL NACH BEDARF/QUANTITY ACCORDING TO DEMAND/NOMBRE DE PIECES AU BESOIN						
62	STECKERGEHAEUSE / PLUG HOUSING / LOGEMENT DE PRISE	6.646-388.0	1				
63	ABLASSSCHLAUCH / DRAIN HOSE / TUYAU FLEX. D'ECOULEMENT	4.446-010.0	1				
	14770 =>						

"=> xxxxxx" = bis Werknummer / up to serial No. / jusqu' au No. de fabr. / "xxxxxx =>" = ab Werknummer / from serial No. / a partir du No. de fabr. /

GRUPPE: 2.4 GRIFF / 35012 =>
GROUP: 2.4 HANDLE / 35012 =>
GRUPPE: 2.4 POIGNEE / 35012 =>

H2

BD 530 BAT



Symbolbeschreibung siehe M16 / symbol description see M16 / désignation de système voir M16 /

GRUPPE: 2.4 GRIFF / 35012 =>
 GROUP: 2.4 HANDLE / 35012 =>
 GROUPE: 2.4 POIGNEE / 35012 =>

I2

BD 530 BAT

POS. ITM. POS.	BENNENUNG DESCRIPTION DESIGNATION	TEILE-NR. PART-NO. NO.PIECE	STCK QTY. NBR.
1	BUEGEL KPL. / STRAP / ETRIER	4.034-107.0	1
2	SCHLAUCH / HOSE / TUYAU FLEXIBLE	6.390-269.0	1
3	GRIFF / HANDLE / POIGNEE	4.321-135.0	1
4	SCHEIBE A 8,4 / WASHER / RONDELLE	7.312-017.0	10
5	ZYL.SCHR. M 8X 35 / CHEESE HEAD SCREW / VIS A TETE CYLINDR.	7.306-044.0	4
6	SCHUTZKAPPE / PROTECTING CAP / CAPOT PROTECTION	6.368-295.0	4
7	ZUGENTLASTUNG / PULL RELIEF / DECHARGE DETRACTION	6.641-776.0	1
8	HALTER / BRACKET / FIXATION	5.044-298.0	1
9	BLECHTEIL / PLATE / TOLE	5.059-011.0	1
10	ZYL.SCHR. M 8X 12 / CHEESE HEAD SCREW / VIS A TETE CYLINDR.	7.306-119.0	1
11	ABLASSSCHLAUCH DN32 / DRAIN HOSE / TUYAU FLEX. D'ECOULEMENT	6.390-610.0	1
11	ABLASSSCHLAUCH DN32 / DRAIN HOSE / TUYAU FLEX. D'ECOULEMENT	6.390-733.0	1
OELFEST/OIL RESISTANT/RESISTANT # L'HUILE			
12	SCHLAUCHSCHELLE / HOSE BAND CLIP / COLLIER DE SERRAGE	6.388-549.0	2
13	SEIL / ROPE / CABLE	4.172-016.0	1
14	BUEGEL / STRAP / ETRIER	5.034-614.0	1
15	SCHALTKNOPF D 8 / SWITCH KNOB / BOUTON DE COMMANDE	6.321-154.0	1
16	S-SCHEIBE 7 / LOCK WASHER / RONDELLE D'ARRET	7.343-300.0	2
17	SICHERUNGSSCHEIBE 8 / LOCK WASHER / RONDELLE D'ARRET	6.343-132.0	3
18	SCHRAUBE 5 X 16 / SCREW / VIS	7.303-107.0	7
19	6KT-MUTTER M 8 / HEXAGON NUT / ECROU HEXAGONAL	7.311-224.0	2
20	BLECH / PLATE / TOLE	5.007-007.0	1
21	BL.SCHR. ST2,2X13,0 / SHEET METAL SCREW / VIS A TOLE	7.303-386.0	2
22	SCHEIBE 3,2 / WASHER / RONDELLE	7.312-280.0	2
23	SCHRAUBE M 6X 16 / SCREW / VIS	7.306-193.0	1
24	SCHEIBE / WASHER / RONDELLE	5.115-860.0	1
25	BLECHTEIL / PLATE / TOLE	5.048-878.0	1
26	ISOLIER SCHLAUCH 4 / INSULATING HOSE / TUYAU ISOLANT	6.642-003.0	1
ALS METERWARE BESTELLEN/TO ORDER AS CUT GOODS/COMMANDE COMME MARCHANDISE AU METRE			
27	BLECHTEIL / PLATE / TOLE	5.048-904.0	1
28	SCHALTER MIKRO / SWITCH / INTERRUPTEUR	4.744-154.0	1
30	SCHRAUBE M 6X 10 / SCREW / VIS	7.306-191.0	1
31	ZUGFEDER / EXTENSION SPRING / RESSORT DE TRACTION	6.330-011.0	1

"=> xxxxxx" = bis Werknummer / up to serial No. / jusqu' au No. de fabr. / "xxxxxx =>" = ab Werknummer / from serial No. / a partir du No. de fabr. /

GRUPPE: 3.0 FAHRGESTELL
GROUP: 3.0 CHASSIS
GRUPPE: 3.0 CHASSIS

A3

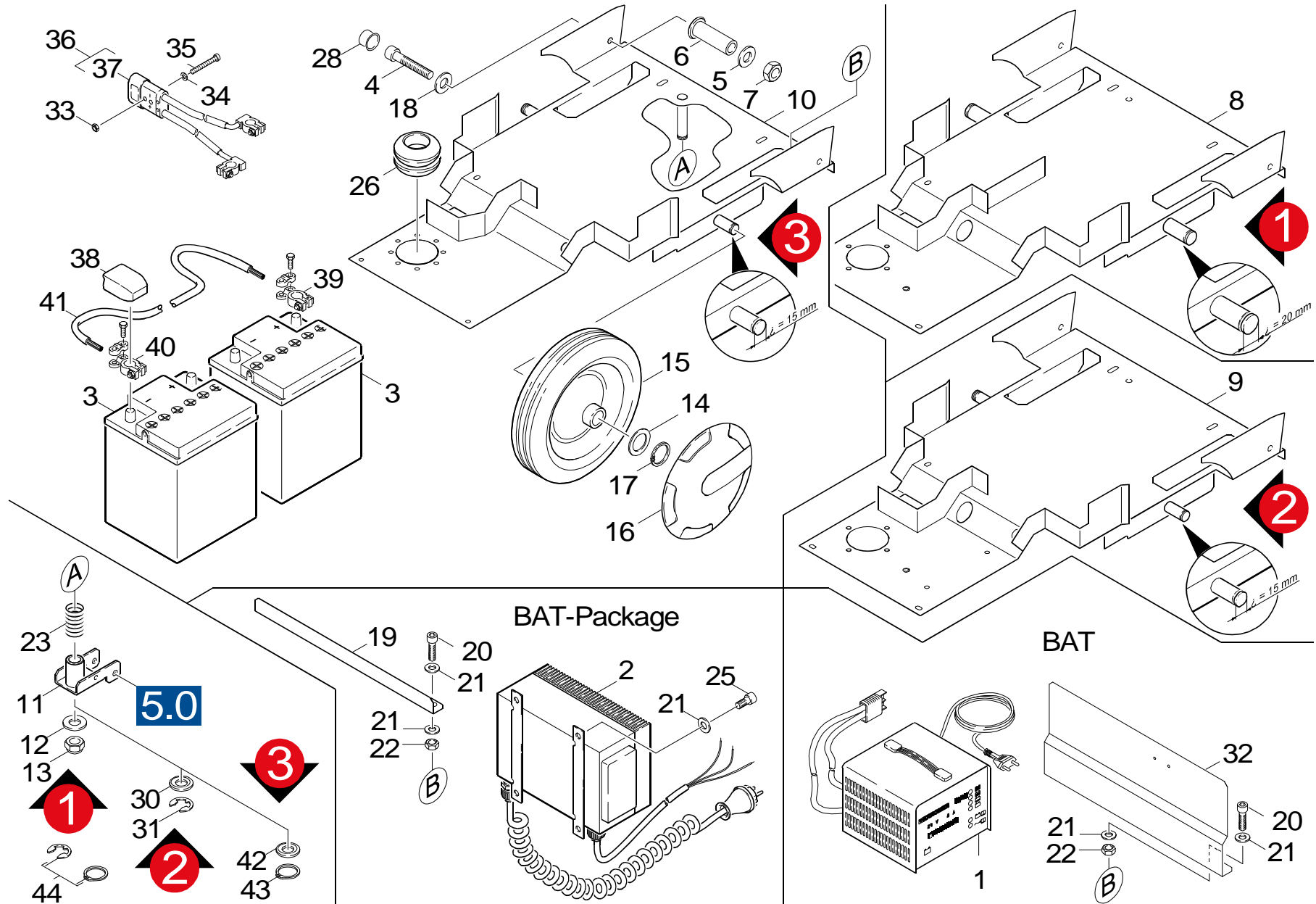
BD 530 BAT

GRUPPE: 3.0 FAHRGESTELL
GROUP: 3.0 CHASSIS
GRUPPE: 3.0 CHASSIS

GRUPPE: 3.0 FAHRGESTELL
 GROUP: 3.0 CHASSIS
 GROUPE: 3.0 CHASSIS

B3

BD 530 BAT



Symbolbeschreibung siehe M16 / symbol description see M16 / désignation de système voir M16 /

GRUPPE: 3.0 FAHRGESTELL
 GROUP: 3.0 CHASSIS
 GROUPE: 3.0 CHASSIS

C3

BD 530 BAT

POS. ITM. POS.	BENNENNUNG DESCRIPTION DESIGNATION	TEILE-NR. PART-NO. NO.PIECE	STCK QTY. NBR.	POS. ITM. POS.	BENNENNUNG DESCRIPTION DESIGNATION	TEILE-NR. PART-NO. NO.PIECE	STCK QTY. NBR.
1	ANSCHLUSSKABEL / CONNECTION CABLE / CABLE	6.647-738.0	1	19	WINKEL / ANGLE / ANGLE	5.017-052.0	1
2	BATTERIELADEGERAET / BATTERY CHARGER / CHARGEUR	6.654-094.0	1	20	SCHRAUBE M 6X 16 / SCREW / VIS	7.306-090.0	2
3	ANTRIEBSBATTERIE / BATTERY / BATTERIE	6.654-093.0	2	21	SCHEIBE B 6,4 / WASHER / RONDELLE	7.312-003.0	8
4	ZYL.SCHR. M 8X 30 / CHEESE HEAD SCREW / VIS A TETE CYLINDR.	7.306-043.0	2	22	6KT-MUTTER M 6 / HEXAGON NUT / ECROU HEXAGONAL	7.311-067.0	2
	/=> 13376			23	SCHRAUBENFEDER / HELICAL SPRING / RESSORT CYLINDRIQUE	5.332-206.0	1
4	ZYL.SCHR. M 8X 40 / CHEESE HEAD SCREW / VIS A TETE CYLINDR.	7.306-075.0	4	24	BUEGEL / STRAP / ETRIER	5.034-546.0	1
	13377 =>			25	SCHRAUBE M 6X 10 / SCREW / VIS	7.306-191.0	4
5	SCHEIBE 8,4 / WASHER / RONDELLE	7.312-277.0	4	27	ZUGENTLASTUNG / PULL RELIEF / DECHARGE DETRACTION	6.641-776.0	1
6	HUELSE / SLEEVE / DOUILLE	5.110-680.0	2	28	SCHUTZKAPPE / PROTECTING CAP / CAPOT PROTECTION	6.368-295.0	2
	/=> 13376			29	ABDECKUNG / COVERING CAP / CHAPEAU	5.031-554.0	1
6	HUELSE / SLEEVE / DOUILLE	5.110-777.0	2	30	SCHEIBE B 17 / WASHER / RONDELLE	7.312-057.0	1
	13377 =>				VERSION 2		
7	6KT-MUTTER M 8 / HEXAGON NUT / ECROU HEXAGONAL	7.311-004.0	2	31	S-SCHEIBE 12 / LOCK WASHER / RONDELLE D'ARRET	7.343-206.0	1
10	HALTER / BRACKET / FIXATION	4.044-008.0	1		VERSION 2		
	/=> 13376			32	WINKEL / ANGLE / ANGLE	5.017-085.0	1
10	HALTER / BRACKET / FIXATION	4.044-011.0	1	33	6KT-MUTTER M 3 / HEXAGON NUT / ECROU HEXAGONAL	7.311-000.0	2
	13377 =>			34	SCHEIBE A 3,2 / WASHER / RONDELLE	7.312-043.0	2
11	TRAEGER / CARRIER / LONGERON	4.058-084.0	1	35	SCHRAUBE M 3X 20 / SCREW / VIS	7.306-055.0	2
	/=> 13376			36	ANSCHLUSSKABEL KPL. / CONNECTION CABLE / CABLE	6.647-990.0	1
11	TRAEGER SAUGBALKEN / CARRIER / LONGERON	4.058-087.0	1	37	STECKER 50A-2POL / PLUG / FICHE	6.646-140.0	1
	13377 =>			38	ABDECKKAPPE / CAP / CHAPE	6.654-106.0	2
12	SCHEIBE B 13 / WASHER / RONDELLE	7.312-008.0	1	39	BATTERIEKLEMME +POL / BATTERY TERMINAL / BORNE DE BATTERIE	6.654-104.0	1
	VERSION 1			40	BATTERIEKLEMME -POL / BATTERY TERMINAL / BORNE DE BATTERIE	6.654-105.0	1
13	6KT-MUTTER M12 / HEXAGON NUT / ECROU HEXAGONAL	7.311-429.0	1	41	DURCHFUEHR.TUELLE / BUSH / DOUILLE DE TRAVERSEE	6.641-401.0	1
	VERSION 1						
14	SCHEIBE / WASHER / RONDELLE	5.115-255.0	2				
	VERSION 3						
15	RAD D.200 / WHEEL / ROUE	6.435-324.0	2				
	VERSION 3						
15	RAD D.200 / WHEEL / ROUE	6.435-356.0	2				
	VERSION 4						
16	RADKAPPE -NEUTRAL / WHEEL CAB / ENJOLIVEUR	6.435-301.0	2				
17	S-RING 15X1 / SPRING CLIP / CIRCLIP	7.343-004.0	2				
	VERSION 4						
17	S-RING 20X1,2 / SPRING CLIP / CIRCLIP	7.343-007.0	2				
	VERSION 3						
18	SCHEIBE B 8,4 / WASHER / RONDELLE	7.312-004.0	2				

"=> xxxxxx" = bis Werknummer / up to serial No. / jusqu' au No. de fabr. / "xxxxxx =>" = ab Werknummer / from serial No. / a partir du No. de fabr. /

GRUPPE: 4.0 SCHALTKASTEN BAT / / => 35011
GROUP: 4.0 SWITCH BOX / / => 35011
GRUPPE: 4.0 COFFRET ELECTRIQUE / / => 35011

A4

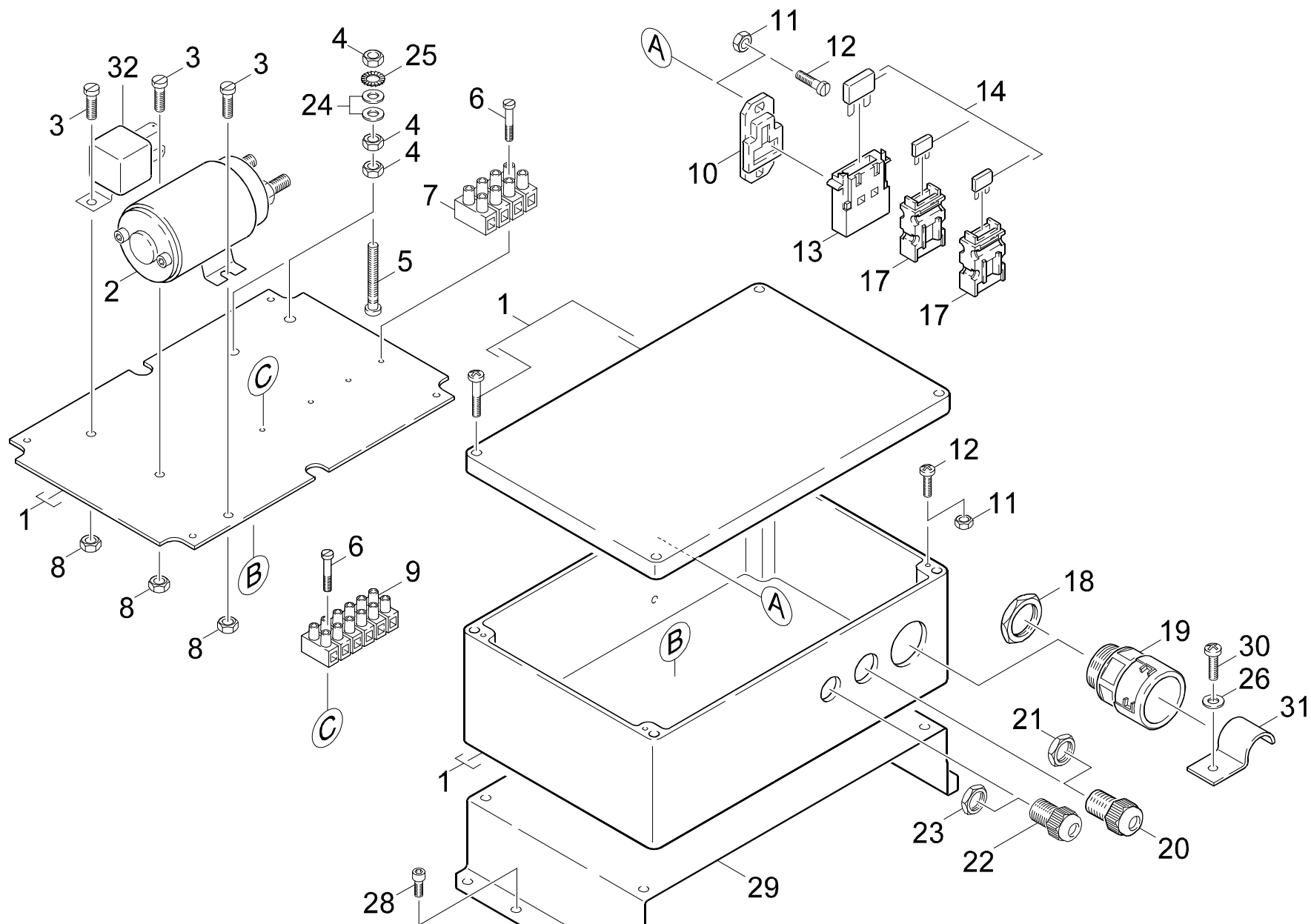
BD 530 BAT

GRUPPE: 4.0 SCHALTKASTEN BAT
GROUP: 4.0 SWITCH BOX
GRUPPE: 4.0 COFFRET ELECTRIQUE

GRUPPE: 4.0 SCHALKASTEN BAT // => 35011
GROUP: 4.0 SWITCH BOX // => 35011
GRUPPE: 4.0 COFFRET ELECTRIQUE // => 35011

B4

BD 530 BAT



Symbolbeschreibung siehe M16 / symbol description see M16 / désignation de système voir M16 /

GRUPPE: 4.0 SCHALKASTEN BAT / /=> 35011
 GROUP: 4.0 SWITCH BOX / /=> 35011
 GROUPE: 4.0 COFFRET ELECTRIQUE / /=> 35011

C4

BD 530 BAT

POS. ITM. POS.	BENNENUNG DESCRIPTION DESIGNATION	TEILE-NR. PART-NO. NO.PIECE	STCK QTY. NBR.
1	KASTEN + MONTAGEPL. / CHEST / COFFRE	6.601-301.0	1
2	LEISTUNGSRELAIS / POWER RELAY / RELAIS DE PUISSANCE	6.633-389.0	1
3	SCHRAUBE M 5X 16 / SCREW / VIS	7.306-077.0	3
4	6KT-MUTTER M 6 / HEXAGON NUT / ECROU HEXAGONAL	7.311-003.0	6
5	FL.SCHR. M 6X 35 / FLAT SCREW / VIS	7.306-550.0	2
6	SCHRAUBE 3,0X16 / SCREW / VIS	6.303-176.0	4
7	KLEMMLEISTE 4-POL. / STRIP TERMINAL / BORNE PLATE	6.643-687.0	1
8	6KT-MUTTER M 5 / HEXAGON NUT / ECROU HEXAGONAL	7.311-002.0	3
9	KLEMMLEISTE 6-POL. / STRIP TERMINAL / BORNE PLATE	6.643-686.0	1
10	ANBAUPLATTE / PLATE / PLAQUE	6.644-276.0	1
11	6KT-MUTTER M 4 / HEXAGON NUT / ECROU HEXAGONAL	7.311-001.0	6
12	ZYL.SCHR. M 4X 12 / CHEESE HEAD SCREW / VIS A TETE CYLINDR.	7.306-628.0	6
13	SICHERUNGSHALTER / RETAINER / PORTE-FUSIBLE	6.644-275.0	1
14	ERSATZTEILSET / SPARE PARTS KIT / KIT DE PIECES	2.883-854.0	1
17	SICHERUNGSHALTER / RETAINER / PORTE-FUSIBLE	6.644-302.0	2
18	GEGENMUTTER PG21 / COUNTERNUT / CONTRE-ECROU	6.641-368.0	1
19	KABELVERSCHR. PG 21 / CABLE CONNECTOR / RACCORD DE CABLES	6.647-937.0	1
20	KABELVERSCHR. PG11 / CABLE CONNECTOR / RACCORD DE CABLES	6.641-357.0	1
21	GEGENMUTTER PG11 / COUNTERNUT / CONTRE-ECROU	6.641-367.0	1
22	KABELVERSCHR. PG 9 / CABLE CONNECTOR / RACCORD DE CABLES	6.641-355.0	1
23	GEGENMUTTER PG 9 / COUNTERNUT / CONTRE-ECROU	6.641-366.0	1
24	SCHEIBE B 6,4 / WASHER / RONDELLE	7.312-003.0	4
25	ZAHNSCHEIBE A 6,4 / LOCK WASHER / ROUE PLATE	7.312-167.0	2
26	SCHEIBE 5,3 / WASHER / RONDELLE	7.312-278.0	1
28	ZYL.SCHR. M 8X 12 / CHEESE HEAD SCREW / VIS A TETE CYLINDR.	7.306-119.0	3
29	HALTER / BRACKET / FIXATION	5.044-095.0	1
30	SCHRAUBE 5 X 16 / SCREW / VIS	7.303-104.0	1
31	ROHRSCHELLE / PIPE CLAMP / COLLIER D'ATTACHE	6.373-670.0	1
32	RELAIS 24 V / RELAY / RELAIS	6.633-235.0	1

"=> xxxxxx" = bis Werknummer / up to serial No. / jusqu' au No. de fabr. / "xxxxxx =>" = ab Werknummer / from serial No. / a partir du No. de fabr. /

GRUPPE: 5.0 SAUGEINRICHTUNG
GROUP: 5.0 SUCTION PART
GRUPPE: 5.0 INSTALLATION D'ASPIRATION

A5

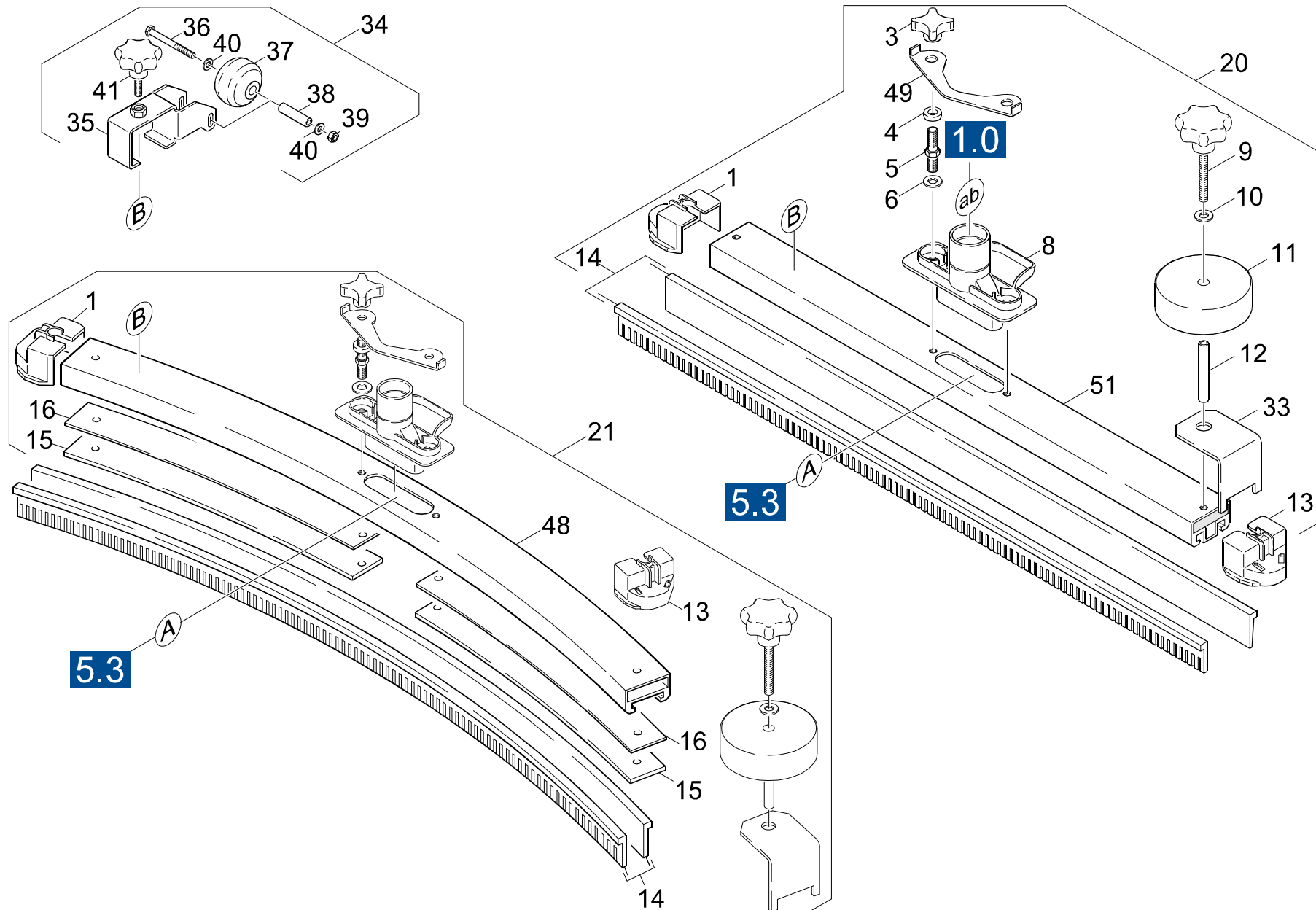
BD 530 BAT

GRUPPE: 5.0 SAUGEINRICHTUNG
GROUP: 5.0 SUCTION PART
GRUPPE: 5.0 INSTALLATION D'ASPIRATION

GRUPPE: 5.1 SAUGBALKEN
GROUP: 5.1 SUCTION PART
GROUPE: 5.1 INSTAL. D'ASPIRATION

B5

BD 530 BAT



Symbolbeschreibung siehe M16 / symbol description see M16 / désignation de système voir M16 /

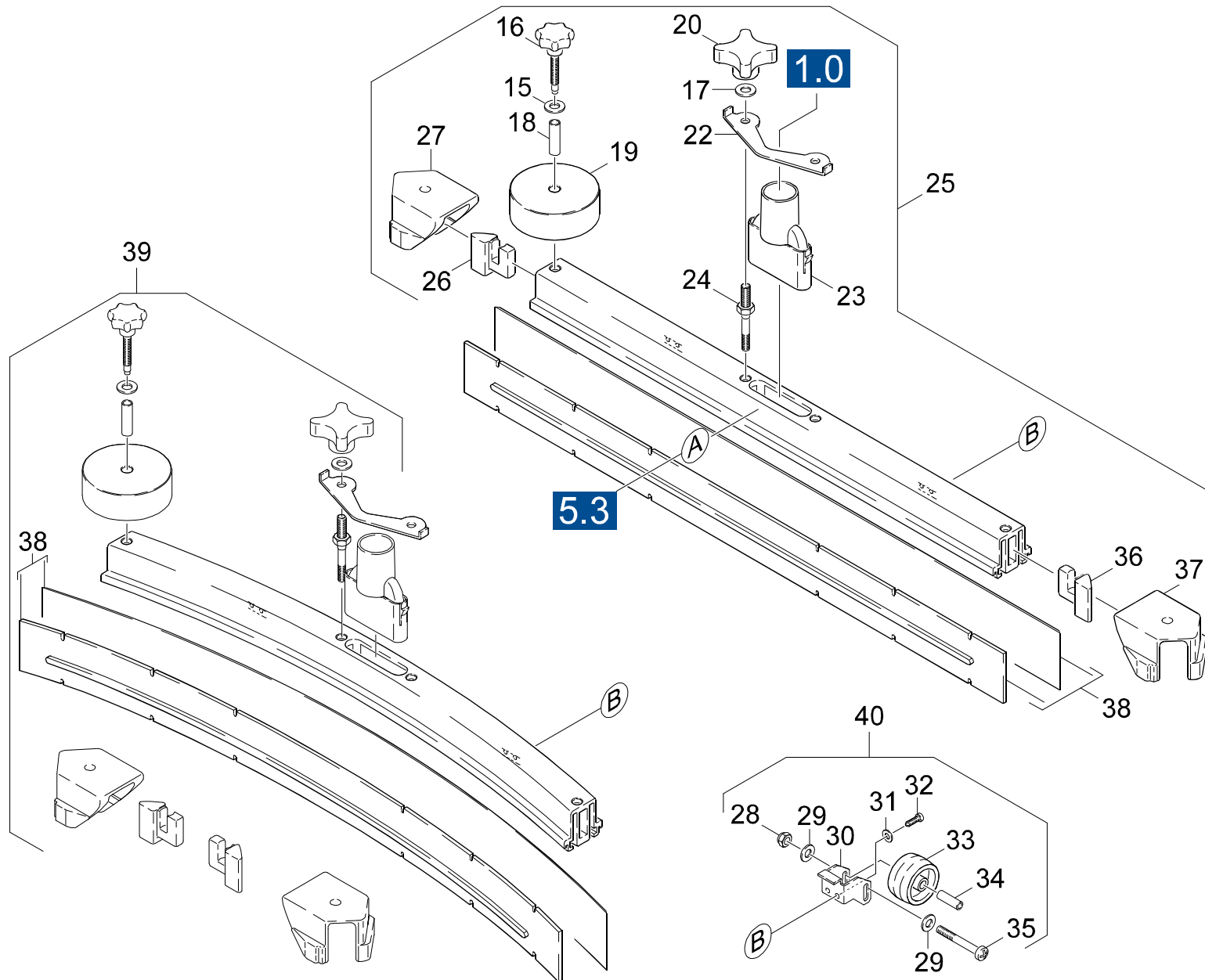
GRUPPE: 5.1 SAUGBALKEN
GROUP: 5.1 SUCTION PART
GROUPE: 5.1 INSTAL. D'ASPIRATION

C5

BD 530 BAT

POS. ITM. POS.	BENNENUNG DESCRIPTION DESIGNATION	TEILE-NR. PART-NO. NO.PIECE	STCK QTY. NBR.
1	ENDSTUECK RECHTS / TAIL PIECE / TRONCON	5.031-482.0	2
3	KREUZGRIFF / STAR HANDLE / POIGNEE EN ETOILE	6.321-133.0	2
4	SCHEIBE A 11 / WASHER / RONDELLE	7.312-080.0	2
5	GEWINDEBOLZEN / PIN / BOULON TARAUDE	5.308-057.0	2
6	SCHEIBE 8,4 / WASHER / RONDELLE	7.312-277.0	2
8	SAUGSTUTZEN / CONNECTING PIECE / TUBULURE D'ASPIRATION	5.031-464.0	1
9	STERNGRIFF M8X60 / CONTROL KNOB / POIGNEE-ETOILE	6.321-147.0	2
10	SCHEIBE B 8,4 / WASHER / RONDELLE	7.312-004.0	2
11	ROLLE / ROLLER / ROULETTE	5.515-096.0	2
12	ROHR / PIPE / TUYAU	5.029-496.0	2
13	KLAPPE / FLAP / CLAPET	5.031-456.0	1
14	GUMMILIPPENSET / RUBBER LIP SET / LEVRES CAOUTCHOUC	6.273-168.0	1
14	GUMMILIPPENSET / RUBBER LIP SET / LEVRES CAOUTCHOUC	6.273-185.0	1
15	EINLEGETEIL GEBOGEN / INSERT / PIECE D'INSERTION	5.401-236.0	2
16	EINLEGETEIL GEBOGEN / INSERT / PIECE D'INSERTION	5.401-235.0	2
20	SAUGBALKEN GERADE / SUCTION PART / INSTAL. D'ASPIRATION	4.777-027.0	1
21	SAUGBALKEN GEBOGEN / SUCTION PART / INSTAL. D'ASPIRATION	4.777-028.0	1
33	WINKEL / ANGLE / ANGLE	5.017-136.0	2
34	ABS ABSTUETZRAEDER / ADD-ON KIT / KIT PORTEE	2.639-561.0	2
35	HALTER LAUFROLLE / BRACKET / FIXATION	4.042-871.0	2
36	SCHRAUBE M 6X 50 / SCREW / VIS	7.306-199.0	2
37	RAD D.50 / WHEEL / ROUE	5.515-101.0	2
38	ACHSE / AXLE / ESSIEU	5.105-245.0	2
39	6KT-MUTTER M 6 / HEXAGON NUT / ECROU HEXAGONAL	7.311-422.0	2
40	SCHEIBE B 6,4 / WASHER / RONDELLE	7.312-026.0	4
41	GRIFF M6 X 20 / HANDLE / POIGNEE	6.321-069.0	2
48	PROFIL SAUGBALKEN / PROFILE / PROFILE	5.031-481.0	1
49	BLECH / PLATE / TOLE	5.007-217.0	1
51	PROFIL SAUGBALKEN / PROFILE / PROFILE	5.031-466.0	1

"=> xxxxxx" = bis Werknummer / up to serial No. / jusqu' au No. de fabr. / "xxxxxx =>" = ab Werknummer / from serial No. / a partir du No. de fabr. /



Symbolbeschreibung siehe M16 / symbol description see M16 / désignation de système voir M16 /

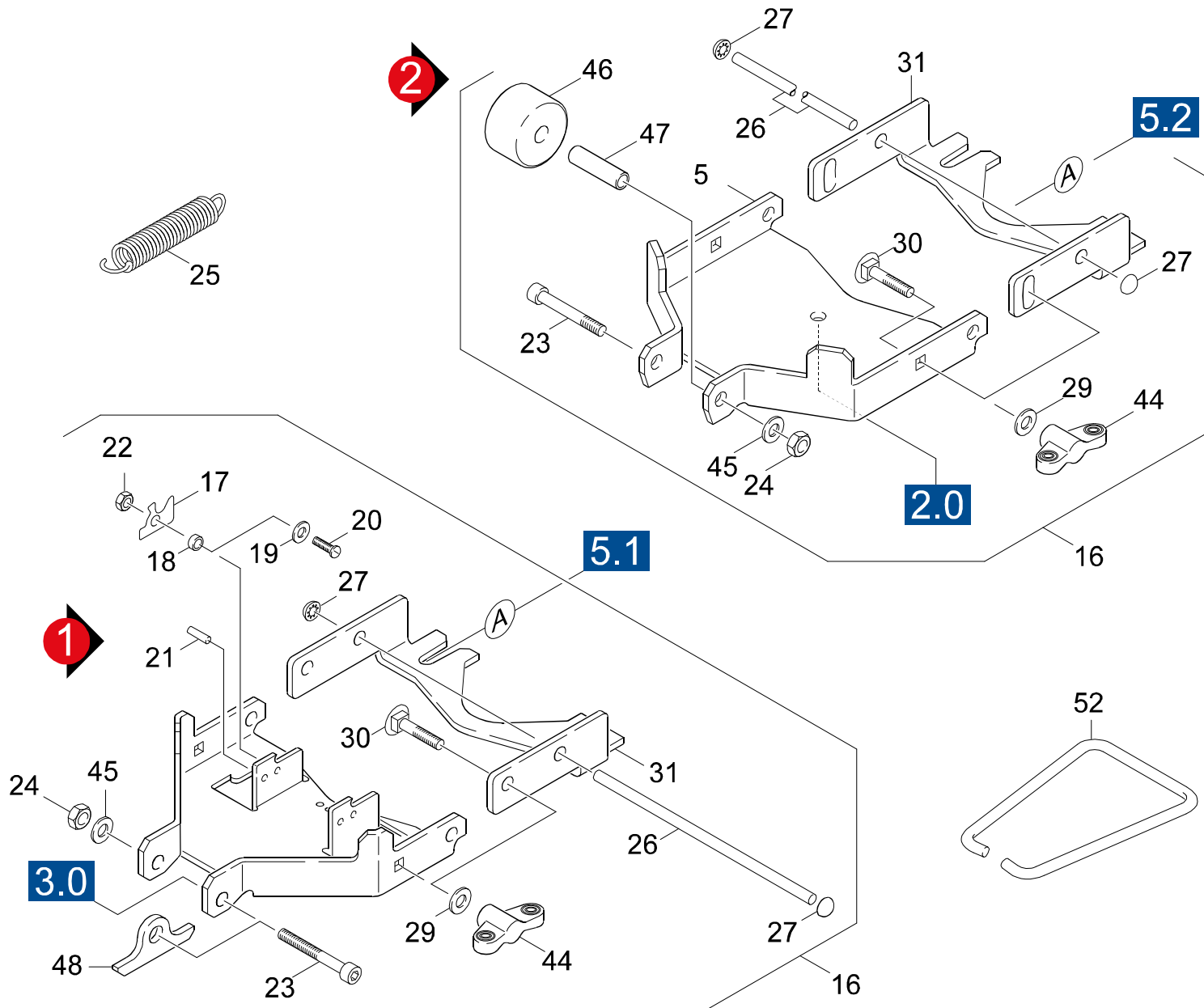
GRUPPE: 5.2 SAUGBALKEN
GROUP: 5.2 SUCTION PART
GROUPE: 5.2 INSTAL. D'ASPIRATION

E5

BD 530 BAT

POS. ITM. POS.	BENNENNUNG DESCRIPTION DESIGNATION	TEILE-NR. PART-NO. NO.PIECE	STCK QTY. NBR.
15	SCHEIBE B 8,4 / WASHER / RONDELLE	7.312-004.0	3
16	STERNGRIF M8X60 / CONTROL KNOB / POIGNEE-ETOILE	6.321-147.0	2
18	ROHR / PIPE / TUYAU	5.094-050.0	2
19	ROLLE / ROLLER / ROULETTE	5.515-096.0	2
20	KREUZGRIF / STAR HANDLE / POIGNEE EN ETOILE	6.321-133.0	2
23	SAUGSTUTZEN / CONNECTING PIECE / TUBULURE D'ASPIRATION	5.031-989.0	1
24	GEWINDEBOLZEN / PIN / BOULON TARAUDE	5.308-064.0	1
25	SAUGBALKEN GERADE / SUCTION PART / INSTAL. D'ASPIRATION	4.777-047.0	1
26	ENDSTUECK / TAIL PIECE / TRONCON	5.031-993.0	1
27	ENDSTUECK RECHTS / TAIL PIECE / TRONCON	5.031-991.0	1
28	6KT-MUTTER M 6 / HEXAGON NUT / ECROU HEXAGONAL	7.311-422.0	1
29	SCHEIBE B 6,4 / WASHER / RONDELLE	7.312-026.0	2
30	HALTER LAUFROLLE / BRACKET / FIXATION	5.044-304.0	2
31	SCHEIBE B 5,3 / WASHER / RONDELLE	7.312-058.0	2
32	SCHRAUBE M 5X 10 / SCREW / VIS	7.303-037.0	2
33	RAD D.50 / WHEEL / ROUE	5.515-101.0	1
34	ACHSE / AXLE / ESSIEU	5.105-245.0	1
35	SCHRAUBE M 6X 50 / SCREW / VIS	7.306-199.0	1
36	ENDSTUECK / TAIL PIECE / TRONCON	5.031-992.0	1
37	ENDSTUECK LINKS / TAIL PIECE / TRONCON	5.031-990.0	1
38	GUMMILIPPENSET / RUBBER LIP SET / LEVRES CAOUTCHOUC	6.273-204.0	1
38	GUMMILIPPENSET / RUBBER LIP SET / LEVRES CAOUTCHOUC	6.273-207.0	1
39	SAUGBALKEN GEBOGEN / SUCTION PART / INSTAL. D'ASPIRATION	4.777-054.0	1
40	ABS ABSTUETZRAEDER / ADD-ON KIT / KIT PORTEE	2.639-561.0	2

"=> xxxxxx" = bis Werknummer / up to serial No. / jusqu' au No. de fabr. / "xxxxxx =>" = ab Werknummer / from serial No. / a partir du No. de fabr. /



Symbolbeschreibung siehe M16 / symbol description see M16 / désignation de système voir M16 /

GRUPPE: 5.3 HALTER SAUGBALKEN
GROUP: 5.3 BRACKET
GROUPE: 5.3 FIXATION

G5

BD 530 BAT

POS. ITM. POS.	BENNENUNG DESCRIPTION DESIGNATION	TEILE-NR. PART-NO. NO.PIECE	STCK QTY. NBR.
16	SAUGBALKEN AUFHAENG / SUCTION PART / INSTAL. D'ASPIRATION / => 35011	4.777-033.0	1
17	FORMTEIL / MOULDED PART / PREFORME	5.031-493.0	1
18	HUELSE / SLEEVE / DOUILLE / => 35011	5.110-687.0	1
19	SCHEIBE A 4,3 / WASHER / RONDELLE / => 35011	7.312-067.0	1
20	SCHRAUBE M 4X 10 / SCREW / VIS	7.306-206.0	1
21	SPANNSTIFT 4,0X 14 / PIN / GOUPILLE DE SERRAGE / => 35011	7.314-949.0	1
22	6KT-MUTTER M 4 / HEXAGON NUT / ECROU HEXAGONAL / => 35011	7.311-064.0	1
23	ZYL.SCHR. M 8X 65 / CHEESE HEAD SCREW / VIS A TETE CYLINDR.	7.306-151.0	1
24	6KT-MUTTER M 8 / HEXAGON NUT / ECROU HEXAGONAL	7.311-427.0	1
25	ZUGFEDER / EXTENSION SPRING / RESSORT DE TRACTION	6.330-011.0	1
26	STANGE / BAR / TIGE	5.107-202.0	1
27	SICHERUNGSSCHEIBE 8 / LOCK WASHER / RONDELLE D'ARRET	6.343-132.0	2
29	SCHEIBE B 6,4 / WASHER / RONDELLE	7.312-003.0	2
30	FL.RD.SCHR. M 6X 20 / SAUCER-HEAD SCREW / BOULON A TETE BOMBEE	7.303-139.0	2
31	WIPPE SAUGBALKEN / ROCKER / BASCULE	5.048-234.0	1
32	ZUSATZGEWICHT / SUPPLEMENTARY WEIGHT / POIDS SUPPLEMENTAIRE	5.031-498.0	1
44	FLUEGELMUTTER M 6 / WING NUT / ECROU A OREILLES 35012 =>	6.310-129.0	2
45	SCHEIBE A 8,4 / WASHER / RONDELLE 35012 =>	7.312-017.0	1
46	ROLLE / ROLLER / ROULETTE 35012 =>	5.435-004.0	1
47	BUCHSE / BUSH / DOUILLE 35012 =>	5.112-633.0	1
48	FORMTEIL / MOULDED PART / PREFORME / => 35011	5.031-834.0	1
52	BUEGEL / STRAP / ETRIER	5.034-546.0	1

"=> xxxxxx" = bis Werknummer / up to serial No. / jusqu' au No. de fabr. / "xxxxxx =>" = ab Werknummer / from serial No. / a partir du No. de fabr. /

GRUPPE: 6.0 BODENKOPF BD
GROUP: 6.0 POWER BRUSH
GRUPPE: 6.0 BROSSE

A6

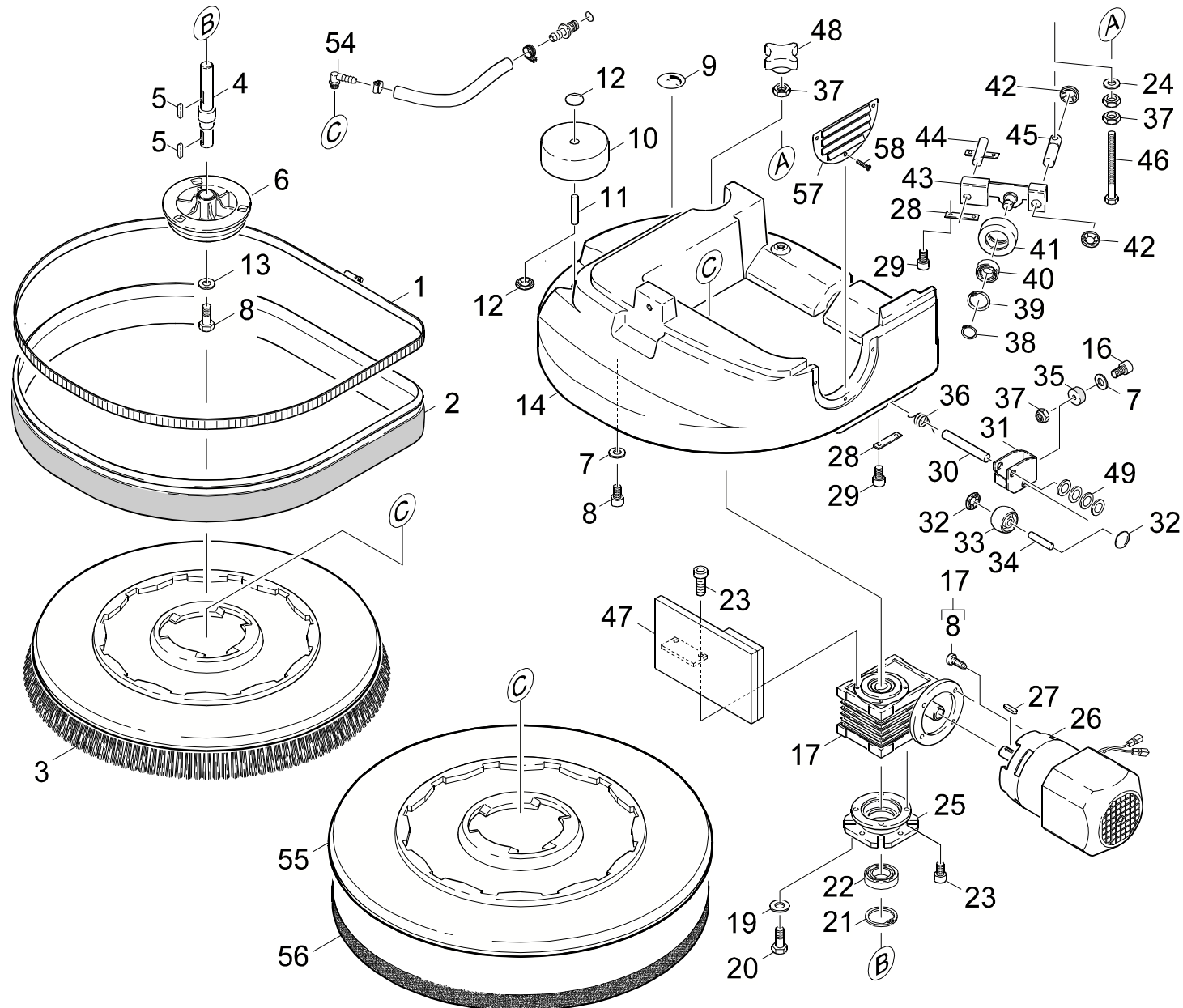
BD 530 BAT

GRUPPE: 6.0 BODENKOPF BD
GROUP: 6.0 POWER BRUSH
GRUPPE: 6.0 BROSSE

GRUPPE: 6.1 BODENKOPF BD / => 35011
GROUP: 6.1 POWER BRUSH / => 35011
GRUPPE: 6.1 BROSSE / => 35011

B6

BD 530 BAT



Symbolbeschreibung siehe M16 / symbol description see M16 / désignation de système voir M16 /

GRUPPE: 6.1 BODENKOPF BD / /=> 35011
 GROUP: 6.1 POWER BRUSH / /=> 35011
 GROUPE: 6.1 BROSSE / /=> 35011

C6

BD 530 BAT

POS. ITM. POS.	BENNENNUNG DESCRIPTION DESIGNATION	TEILE-NR. PART-NO. NO.PIECE	STCK QTY. NBR.	POS. ITM. POS.	BENNENNUNG DESCRIPTION DESIGNATION	TEILE-NR. PART-NO. NO.PIECE	STCK QTY. NBR.
1	SCHLAUCHSCHELLE / HOSE BAND CLIP / COLLIER DE SERRAGE	6.389-876.0	1	16	SCHRAUBE M 6X 10 / SCREW / VIS	7.306-191.0	1
2	SPRITZSCHUTZPROFIL / SPLASH GUARD PROFILE / PROFILE PARE-EAU	5.394-488.0	1	17	SCHNECKENGETRIEBE / WORM GEARING / ENGRENAGE A VIS	6.454-059.0	1
2	SPRITZSCHUTZPROFIL / SPLASH GUARD PROFILE / PROFILE PARE-EAU	5.394-509.0	1	19	FAECHERSCHEIBE A8,4 / SERRATED LOCK WASHER / RONDELLE A EVENTAIL	7.312-022.0	4
3	SCHEIBENBUERSTE WS / BRUSH / BROSSE WEISS (STANDARD)/WHITE (STANDARD)/BLANC (STANDARD) / 1.127-882.0	6.905-864.0	1	21	S-RING 47X 1,75 / SPRING CLIP / CIRCLIP	7.343-115.0	1
3	SCHEIBENBUERSTE GRA / BRUSH / BROSSE GRAU/GREY/GRIS / 1.127-251.0 / -271.0 / -451.0 / -471.0 / -882.0	6.905-865.0	1	22	KUGELLAGER 6204-2RS / BALL BEARING / ROULEMENT A BILLE	7.401-173.0	1
3	SCHEIBENBUERSTE / BRUSH / BROSSE NATUR/NATURE/NATURE / 1.127-251.0 / -271.0 / -451.0 / -471.0 / -882.0	6.905-866.0	1	23	SCHRAUBE M 6X 20 / SCREW / VIS	7.306-092.0	6
3	SCHEIBENBUERSTE WS / BRUSH / BROSSE WEISS (STANDARD)/WHITE (STANDARD)/BLANC (STANDARD) / 1.127-151.0 / -171.0 / -351.0 / -371.0 / -682.0	6.906-054.0	1	24	SCHEIBE 6,4 / WASHER / RONDELLE	7.312-292.0	4
3	SCHEIBENBUERSTE GR / BRUSH / BROSSE GRAU/GREY/GRIS / 1.127-151.0 / -171.0 / -351.0 / -371.0 / -682.0	6.906-055.0	1	25	ZWISCHENFLANSCH / FLANGE / BRIDE	5.122-221.0	1
3	SCHEIBENBUERSTE NAT / BRUSH / BROSSE NATUR/NATURE/NATURE / 1.127-151.0 / -171.0 / -351.0 / -371.0 / -682.0	6.906-056.0	1	26	GLEICHSTROMMOTOR / DC MOTOR / MOTEUR C.C.	6.613-029.0	1
4	WELLE / SHAFT / ARBRE	5.100-187.0	1	27	PASSFEDER 5X 5X 20 / SPRING / RESSORT D'ADJUSTAGE	7.318-070.0	1
5	PASSFEDER 6X 6X 25 / SPRING / RESSORT D'ADJUSTAGE	7.318-030.0	2	28	LASCHE / RETAINER CLIP / ECLISSE	5.004-835.0	4
6	FLANSCH / FLANGE / BRIDE	5.122-293.0	1	29	ZYL.SCHR. M 6X 10 / CHEESE HEAD SCREW / VIS A TETE CYLINDR.	7.306-130.0	8
7	SCHEIBE 8,4 / WASHER / RONDELLE	7.312-073.0	5	30	ACHSE / AXLE / ESSIEU	5.105-325.0	1
8	6KT-SCHR. M 8X 16 / HEXAGONAL HEAD SCREW / VIS HEXAGONAL	7.304-538.0	5	31	STAENDER BD / STAND / MONTANTS	5.052-044.0	1
9	SCHILD / DECAL / PLAQUE	5.389-705.0	1	32	SCHNELLBEFESTIGER / QUICK-FASTENER / ATTACHE RAPIDE	6.343-149.0	2
10	ROLLE / ROLLER / ROULETTE	5.515-096.0	1	33	ROLLE / ROLLER / ROULETTE	5.435-004.0	1
11	ACHSE / AXLE / ESSIEU	5.105-278.0	1	34	ACHSE RAD / AXLE / ESSIEU	5.105-266.0	1
12	SCHNELLBEFESTIGER / QUICK-FASTENER / ATTACHE RAPIDE	6.343-224.0	2	35	STANDFUSS / STAND FOOT / PIED	5.031-519.0	1
13	SCHEIBE R 9 / WASHER / RONDELLE	7.312-268.0	1	36	BIEGEFEDER / SPIRAL SPRING / RESSORT SPIRAL	5.335-035.0	1
14	HAUBE DISKKOPF / COVER / CAPOT / 1.127-151.0 / -171.0 / -351.0 / -371.0 / -682.0	5.066-965.0	1	37	6KT-MUTTER M 6 / HEXAGON NUT / ECROU HEXAGONAL	7.311-067.0	1
14	HAUBE DISKKOPF / COVER / CAPOT / 1.127-251.0 / -271.0 / -451.0 / -471.0 / -882.0	5.066-987.0	1	38	S-RING 15X1 / SPRING CLIP / CIRCLIP	7.343-015.0	1
				39	S-RING 35X1,5 / SPRING CLIP / CIRCLIP	7.343-167.0	1
				40	KUGELLAGER 6202-2RS / BALL BEARING / ROULEMENT A BILLE	7.401-128.0	1
				41	ROLLE / ROLLER / ROULETTE	5.435-001.0	1
				42	S-SCHEIBE 12 / LOCK WASHER / RONDELLE D'ARRET	7.343-206.0	2
				43	HEBEL KPL. / LEVER / LEVIER	4.481-130.0	1
				44	ACHSE / AXLE / ESSIEU	5.105-274.0	1
				45	ACHSE / AXLE / ESSIEU	5.105-226.0	1
				46	SCHRAUBE M 6X 80 / SCREW / VIS	6.304-140.0	1
				47	ZUSATZGEWICHT / SUPPLEMENTARY WEIGHT / POIDS SUPPLEMENTAIRE / => 13829	4.031-004.0	1
				48	KREUZGRIFF M 6 / STAR HANDLE / POIGNEE EN ETOILE	6.310-023.0	1
				49	SCHEIBE 10,5 / WASHER / RONDELLE	7.312-074.0	4
				54	WINKELTUELLE / ANGLE SOCKET / COUDE	6.390-002.0	1

"=> xxxxxx" = bis Werknummer / up to serial No. / jusqu' au No. de fabr. / "xxxxxx =>" = ab Werknummer / from serial No. / a partir du No. de fabr. /

GRUPPE: 6.1 BODENKOPF BD / / => 35011
 GROUP: 6.1 POWER BRUSH / / => 35011
 GROUPE: 6.1 BROSSE / / => 35011

D6

BD 530 BAT

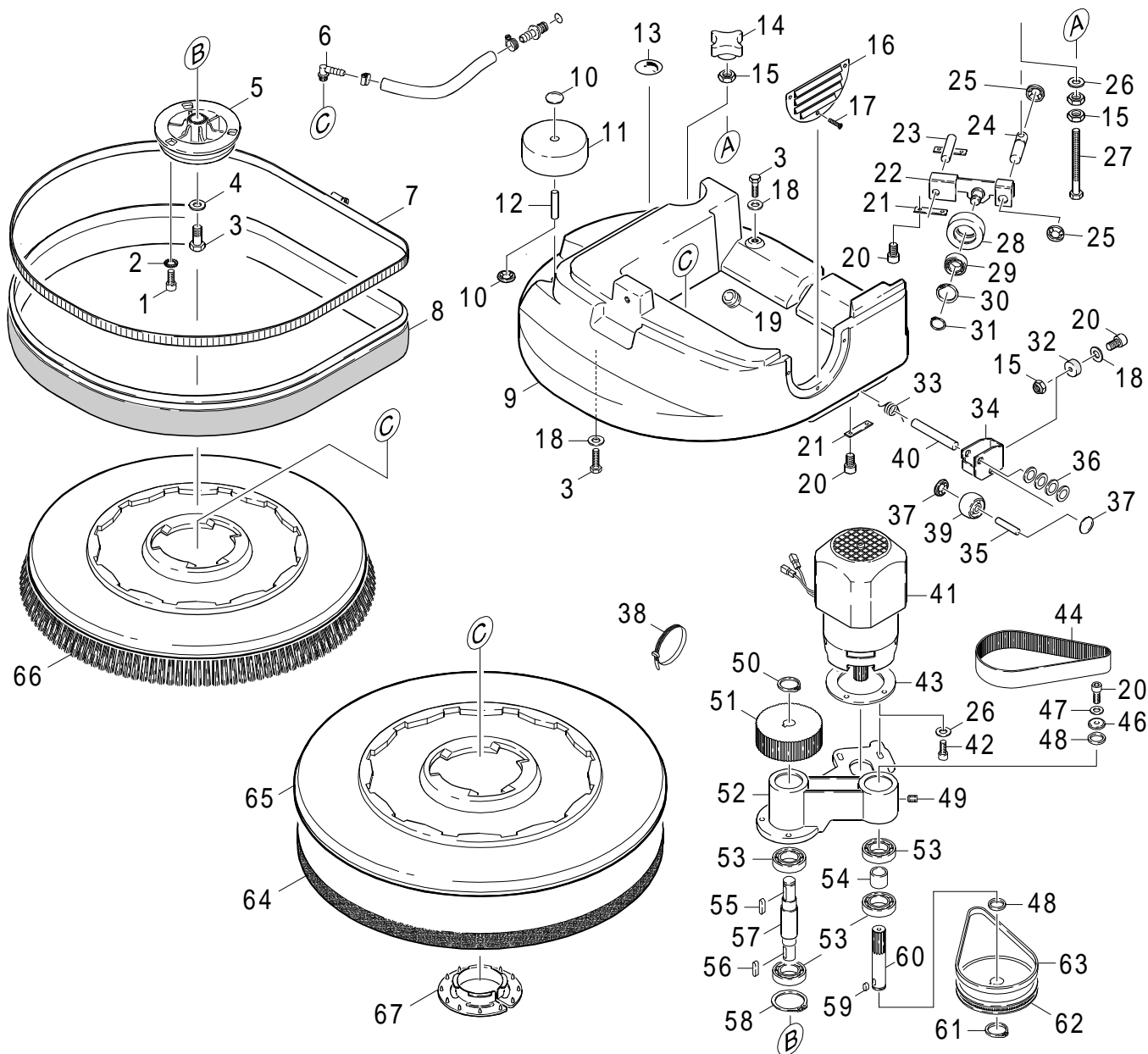
POS. ITM. POS.	BENNENNUNG DESCRIPTION DESIGNATION	TEILE-NR. PART-NO. NO.PIECE	STCK QTY. NBR.
55	PAD-TREIBTELLER / DISK / DISQUE / 1.127-151.0 / -171.0 / -351.0 / -371.0 / -682.0	4.762-229.0	1
55	PAD-TREIBTELLER / DISK / DISQUE / => 11996 / 1.127-251.0 / -271.0 / -451.0 / -471.0 / -882.0	4.762-230.0	1
55	PAD-TREIBTELLER / DISK / DISQUE 11997 => / 1.127-251.0 / -271.0 / -451.0 / -471.0 / -882.0	6.906-075.0	1
55	PAD-TREIBTELLER / DISK / DISQUE 12081 => / 1.127-151.0 / -171.0 / -351.0 / -371.0 / -682.0	6.906-078.0	1
56	POLIERPAD SCHWARZ / POLISHING PAD / GARNITURE A POLIR SCHWARZ/BLACK/NOIR / 1.127-251.0 / -271.0 / -451.0 / -471.0 / -882.0	6.369-015.0	1
56	POLIERPAD GRUEN / POLISHING PAD / GARNITURE A POLIR GRUEN/GREEN/VERT / 1.127-251.0 / -271.0 / -451.0 / -471.0 / -882.0	6.369-016.0	1
56	POLIERPAD ROT / POLISHING PAD / GARNITURE A POLIR ROT/RED/ROUGE / 1.127-251.0 / -271.0 / -451.0 / -471.0 / -882.0	6.369-017.0	1
56	POLIERPAD SCHWARZ / POLISHING PAD / GARNITURE A POLIR SCHWARZ/BLACK/NOIR / 1.127-151.0 / -171.0 / -351.0 / -371.0 / -682.0	6.369-022.0	1
56	POLIERPAD GRUEN / POLISHING PAD / GARNITURE A POLIR GRUEN/GREEN/VERT / 1.127-151.0 / -171.0 / -351.0 / -371.0 / -682.0	6.369-023.0	1
56	POLIERPAD ROT / POLISHING PAD / GARNITURE A POLIR ROT/RED/ROUGE / 1.127-151.0 / -171.0 / -351.0 / -371.0 / -682.0	6.369-024.0	1
57	DECKEL / COVER / COUVERCLE / 1.127-151.0 / -171.0 / -351.0 / -371.0 / -682.0	5.063-832.0	1
57	DECKEL / COVER / COUVERCLE / 1.127-251.0 / -271.0 / -451.0 / -471.0 / -882.0	5.063-840.0	1
58	SCHRAUBE 5 X 16 / SCREW / VIS	7.303-104.0	3

"=> xxxxxx" = bis Werknummer / up to serial No. / jusqu' au No. de fabr. / "xxxxxx =>" = ab Werknummer / from serial No. / a partir du No. de fabr. /

GRUPPE: 6.2 BODENKOPF BD / 35012 =>
GROUP: 6.2 POWER BRUSH / 35012 =>
GRUPPE: 6.2 BROSSE / 35012 =>

E6

BD 530 BAT



Symbolbeschreibung siehe M16 / symbol description see M16 / désignation de système voir M16 /

GRUPPE: 6.2 BODENKOPF BD / 35012 =>
 GROUP: 6.2 POWER BRUSH / 35012 =>
 GROUPE: 6.2 BROSSE / 35012 =>

F6

BD 530 BAT

POS. ITM. POS.	BENNENNUNG DESCRIPTION DESIGNATION	TEILE-NR. PART-NO. NO.PIECE	STCK QTY. NBR.	POS. ITM. POS.	BENNENNUNG DESCRIPTION DESIGNATION	TEILE-NR. PART-NO. NO.PIECE	STCK QTY. NBR.
1	SCHRAUBE M 8X 16 / SCREW / VIS	7.303-067.0	4	26	SCHEIBE 6,4 / WASHER / RONDELLE	7.312-292.0	5
2	FAECHERSCHEIBE A8,4 / SERRATED LOCK WASHER / RONDELLE A EVENTAIL	7.312-022.0	4	27	SCHRAUBE M 6X 80 / SCREW / VIS	6.304-140.0	1
3	6KT-SCHR. M 8X 16 / HEXAGONAL HEAD SCREW / VIS HEXAGONAL	7.304-538.0	5	28	ROLLE / ROLLER / ROULETTE	5.435-001.0	1
4	SCHEIBE R 9 / WASHER / RONDELLE	7.312-268.0	1	29	KUGELLAGER 6202-2RS / BALL BEARING / ROULEMENT A BILLE7.401-128.0	7.401-128.0	1
5	FLANSCH / FLANGE / BRIDE	5.122-293.0	1	30	S-RING 35X1,5 / SPRING CLIP / CIRCLIP	7.343-167.0	1
6	WINKELTUELLE / ANGLE SOCKET / COUDE	6.390-002.0	1	31	S-RING 15X1 / SPRING CLIP / CIRCLIP	7.343-015.0	1
7	SCHLAUCHSCHELLE / HOSE BAND CLIP / COLLIER DE SERRAGE	6.389-876.0	1	32	STANDFUSS / STAND FOOT / PIED	5.031-519.0	1
8	SPRITZSCHUTZPROFIL / SPLASH GUARD PROFILE / PROFILE PARE-EAU	5.394-488.0	1	33	BIEGEFEDER / SPIRAL SPRING / RESSORT SPIRAL	5.335-035.0	1
	/ 1.127-351.0 / -371.0 / -682.0			34	STAENDER BD / STAND / MONTANTS	5.052-044.0	1
8	SPRITZSCHUTZPROFIL / SPLASH GUARD PROFILE / PROFILE PARE-EAU	5.394-509.0	1	35	ACHSE RAD / AXLE / ESSIEU	5.105-266.0	1
	/ 1.127-451.0 / -471.0 / -882.0			36	SCHEIBE 10,5 / WASHER / RONDELLE	7.312-074.0	1
9	HAUBE DISKKOPF / COVER / CAPOT	5.066-965.0	1	37	SCHNELLBEFESTIGER / QUICK-FASTENER / ATTACHE RAPIDE	6.343-149.0	2
	/ 1.127-351.0 / -371.0 / -682.0			38	KABELBINDER / TIE BAND / SERRE-CABLE	6.641-464.0	1
9	HAUBE DISKKOPF / COVER / CAPOT	5.066-987.0	1	39	ROLLE / ROLLER / ROULETTE	5.435-004.0	1
	/ 1.127-451.0 / -471.0 / -882.0			40	ACHSE / AXLE / ESSIEU	5.105-325.0	1
10	SCHNELLBEFESTIGER / QUICK-FASTENER / ATTACHE RAPIDE	6.343-224.0	2	41	GLEICHSTROMMOTOR / DC MOTOR / MOTEUR C.C.	6.613-071.0	1
11	ROLLE / ROLLER / ROULETTE	5.515-096.0	1	42	SCHRAUBE M 6X 16 / SCREW / VIS	7.306-090.0	4
12	ACHSE / AXLE / ESSIEU	5.105-278.0	1	43	RING MOTOR / RING / BAGUE	5.114-480.0	1
13	SCHILD / DECAL / PLAQUE	5.389-705.0	1	46	BORDSCHEIBE / BORDSCHEIBE / BORDSCHEIBE	5.115-913.0	1
14	KREUZGRIFF M 6 / STAR HANDLE / POIGNEE EN ETOILE	6.310-023.0	1	47	SCHEIBE B 6,4 / WASHER / RONDELLE	7.312-003.0	1
15	6KT-MUTTER M 6 / HEXAGON NUT / ECROU HEXAGONAL	7.311-067.0	4	48	BUCHSE / BUSH / DOUILLE	5.112-616.0	2
16	DECKEL / COVER / COUVERCLE	5.063-832.0	1	49	GEW.STIFT M10X 12 / THREADED PIN / VIS SANS TETE	7.307-301.0	1
	/ 1.127-351.0 / -371.0 / -682.0			50	S-RING 18X1,2 / SPRING CLIP / CIRCLIP	7.343-018.0	1
16	DECKEL / COVER / COUVERCLE	5.063-840.0	1	51	ZAHNSCHEIBE 63Z / LOCK WASHER / ROUE PLATE	5.625-351.0	1
	/ 1.127-451.0 / -471.0 / -882.0			52	HALTER RIEMENGETR. / BRACKET / FIXATION	5.044-246.0	1
17	SCHRAUBE 5 X 16 / SCREW / VIS	7.303-104.0	3	53	KUGELLAGER 6204-2RS / BALL BEARING / ROULEMENT A BILLE7.401-173.0	7.401-173.0	4
18	SCHEIBE 8,4 / WASHER / RONDELLE	7.312-073.0	5	54	BUCHSE / BUSH / DOUILLE	5.112-619.0	1
19	DURCHFUEHR.TUELLE / BUSH / DOUILLE DE TRAVERSEE	6.641-401.0	1	55	PASSFEDER 6X 6X 28 / SPRING / RESSORT D'ADJUSTAGE	7.318-031.0	1
20	SCHRAUBE M 6X 10 / SCREW / VIS	7.306-191.0	9	56	PASSFEDER 6X 6X 25 / SPRING / RESSORT D'ADJUSTAGE	7.318-030.0	1
21	LASCHE / RETAINER CLIP / ECLISSE	5.004-835.0	4	57	WELLE 1 RIEMENGETR. / SHAFT / ARBRE	5.100-293.0	1
22	HEBEL KPL. / LEVER / LEVIER	4.481-130.0	1	58	S-RING 47X 1,75 / SPRING CLIP / CIRCLIP	7.343-115.0	1
23	ACHSE / AXLE / ESSIEU	5.105-274.0	1	59	PASSFEDER 6X 6X 12 / SPRING / RESSORT D'ADJUSTAGE	7.318-004.0	1
24	ACHSE / AXLE / ESSIEU	5.105-226.0	1	60	WELLE 2 RIEMENGETR. / SHAFT / ARBRE	5.100-294.0	1
25	S-SCHEIBE 12 / LOCK WASHER / RONDELLE D'ARRET	7.343-206.0	2	61	S-RING 20X1,2 / SPRING CLIP / CIRCLIP	7.343-007.0	1
				62	ZAHNSCHEIBE 125Z / LOCK WASHER / ROUE PLATE	5.625-352.0	1
				64	POLIERPAD SCHWARZ / POLISHING PAD / GARNITURE A POLIR	6.369-015.0	1
					SCHWARZ/BLACK/NOIR		
					/ 1.127-451.0 / -471.0 / -882.0		

"=> xxxxxx" = bis Werknummer / up to serial No. / jusqu' au No. de fabr. / "xxxxxx =>" = ab Werknummer / from serial No. / a partir du No. de fabr. /

GRUPPE: 6.2 BODENKOPF BD / 35012 =>
 GROUP: 6.2 POWER BRUSH / 35012 =>
 GROUPE: 6.2 BROSSE / 35012 =>

G6

BD 530 BAT

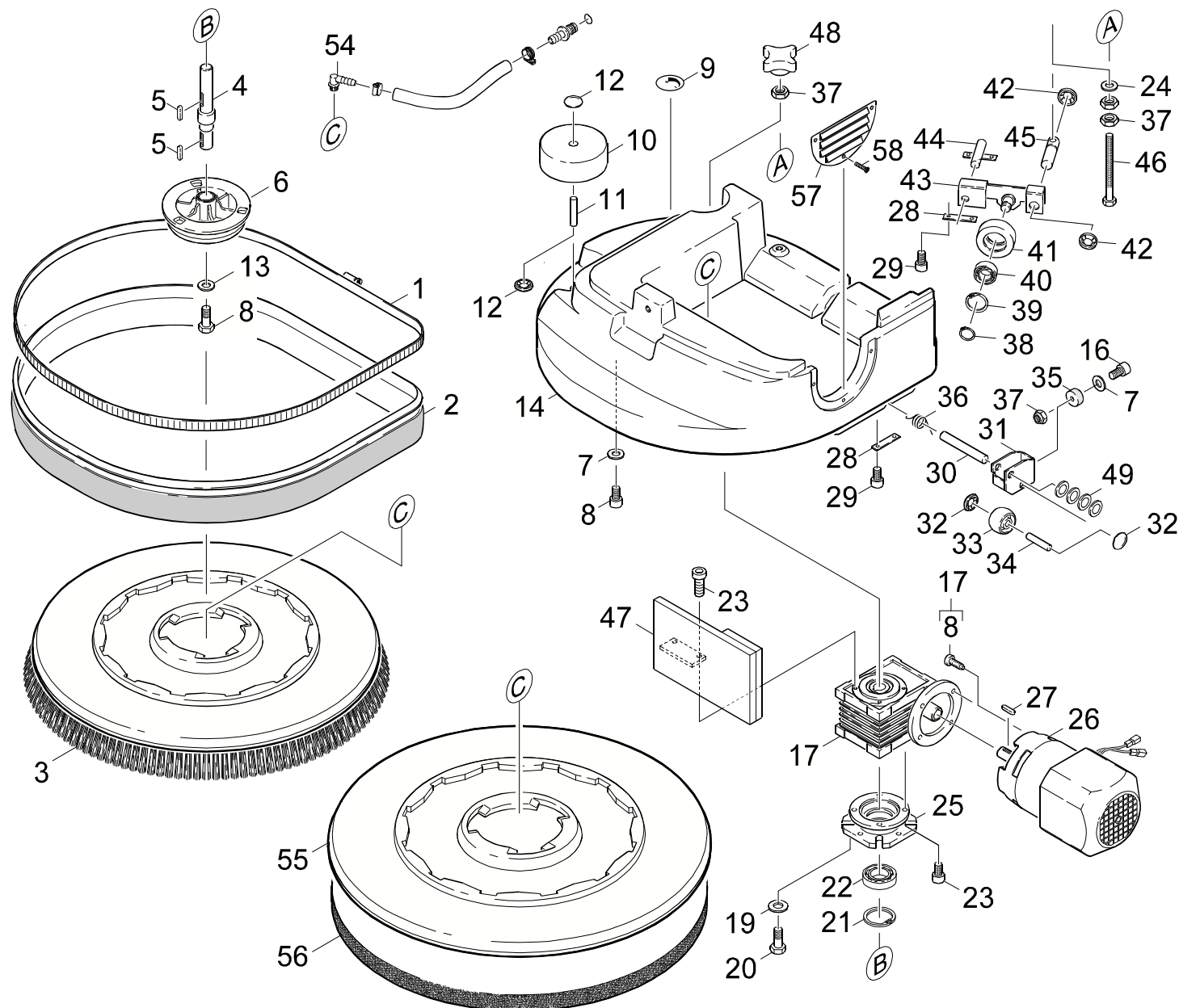
POS. ITM. POS.	BENNENNUNG DESCRIPTION DESIGNATION	TEILE-NR. PART-NO. NO.PIECE	STCK QTY. NBR.	POS. ITM. POS.	BENNENNUNG DESCRIPTION DESIGNATION	TEILE-NR. PART-NO. NO.PIECE	STCK QTY. NBR.
64	POLIERPAD GRUEN / POLISHING PAD / GARNITURE A POLIR GRUEN/GREEN/VERT / 1.127-451.0 / -471.0 / -882.0	6.369-016.0	1	66	SCHEIBENBUERSTE GR / BRUSH / BROSSE / 1.127-351.0 / -371.0 / -682.0	6.906-055.0	1
64	POLIERPAD ROT / POLISHING PAD / GARNITURE A POLIR ROT/RED/ROUGE / 1.127-451.0 / -471.0 / -882.0	6.369-017.0	1	66	SCHEIBENBUERSTE NAT / BRUSH / BROSSE NATUR/NATURE/NATURE / 1.127-351.0 / -371.0 / -682.0	6.906-056.0	1
64	POLIERPAD SCHWARZ / POLISHING PAD / GARNITURE A POLIR SCHWARZ/BLACK/NOIR / 1.127-451.0 / -471.0 / -882.0	6.369-022.0	1	67	CENTERLOCK / CENTERLOCK / CENTERLOCK / 6.906-331.0 / -332.0	6.906-330.0	1
64	POLIERPAD GRUEN / POLISHING PAD / GARNITURE A POLIR GRUEN/GREEN/VERT / 1.127-351.0 / -371.0 / -682.0	6.369-023.0	1				
64	POLIERPAD ROT / POLISHING PAD / GARNITURE A POLIR ROT/RED/ROUGE / 1.127-351.0 / -371.0 / -682.0	6.369-024.0	1				
65	PAD-TREIBTELLER / DISK / DISQUE / 1.127-451.0 / -471.0 / -882.0	6.906-075.0	1				
65	PAD-TREIBTELLER / DISK / DISQUE / 1.127-351.0 / -371.0 / -682.0	6.906-078.0	1				
65	PAD-TREIBTELLER / DISK / DISQUE / 1.127-451.0 / -471.0 / -882.0	6.906-331.0	1				
65	PAD-TREIBTELLER / DISK / DISQUE / 1.127-351.0 / -371.0 / -682.0	6.906-332.0	1				
66	SCHEIBENBUERSTE WS / BRUSH / BROSSE WEISS (STANDARD)/WHITE (STANDARD)/BLANC (STANDARD) / 1.127-451.0 / -471.0 / -882.0	6.905-864.0	1				
66	SCHEIBENBUERSTE GRA / BRUSH / BROSSE GRAU/GREY/GRIS / 1.127-451.0 / -471.0 / -882.0	6.905-865.0	1				
66	SCHEIBENBUERSTE / BRUSH / BROSSE NATUR/NATURE/NATURE / 1.127-451.0 / -471.0 / -882.0	6.905-866.0	1				
66	SCHEIBENBUERSTE WS / BRUSH / BROSSE WEISS (STANDARD)/WHITE (STANDARD)/BLANC (STANDARD) / 1.127-351.0 / -371.0 / -682.0	6.906-054.0	1				

"=> xxxxxx" = bis Werknummer / up to serial No. / jusqu' au No. de fabr. / "xxxxxx =>" = ab Werknummer / from serial No. / a partir du No. de fabr. /

GRUPPE: 6.3 BODENKOPF BD XL / 41647 =>
GROUP: 6.3 POWER BRUSH / 41647 =>
GRUPPE: 6.3 BROSSE / 41647 =>

H6

BD 530 BAT



Symbolbeschreibung siehe M16 / symbol description see M16 / désignation de système voir M16 /

GRUPPE: 6.3 BODENKOPF BD XL / 41647 =>
 GROUP: 6.3 POWER BRUSH / 41647 =>
 GROUPE: 6.3 BROSSE / 41647 =>

I6

BD 530 BAT

POS. ITM. POS.	BENNENNUNG DESCRIPTION DESIGNATION	TEILE-NR. PART-NO. NO.PIECE	STCK QTY. NBR.	POS. ITM. POS.	BENNENNUNG DESCRIPTION DESIGNATION	TEILE-NR. PART-NO. NO.PIECE	STCK QTY. NBR.
1	SCHLAUCHSCHELLE / HOSE BAND CLIP / COLLIER DE SERRAGE	6.389-876.0	1	25	ZWISCHENFLANSCH / FLANGE / BRIDE	5.122-221.0	1
2	SPRITZSCHUTZPROFIL / SPLASH GUARD PROFILE / PROFILE PARE-EAU	5.394-488.0	1	26	GLEICHSTROMMOTOR / DC MOTOR / MOTEUR C.C.	6.613-029.0	1
2	SPRITZSCHUTZPROFIL / SPLASH GUARD PROFILE / PROFILE PARE-EAU	5.394-509.0	1	27	PASSFEDER 5X 5X 20 / SPRING / RESSORT D'ADJUSTAGE	7.318-070.0	1
3	SCHEIBENBUERSTE WS / BRUSH / BROSSSE WEISS (STANDARD)/WHITE (STANDARD)/BLANC (STANDARD)	6.905-864.0	1	28	LASCHE / RETAINER CLIP / ECLISSE	5.004-835.0	4
3	SCHEIBENBUERSTE GRA / BRUSH / BROSSSE GRAU/GREY/GRIS	6.905-865.0	1	29	ZYL.SCHR. M 6X 10 / CHEESE HEAD SCREW / VIS A TETE CYLINDR.	7.306-130.0	8
3	SCHEIBENBUERSTE / BRUSH / BROSSSE NATUR/NATURE/NATURE	6.905-866.0	1	30	ACHSE / AXLE / ESSIEU	5.105-325.0	1
3	SCHEIBENBUERSTE WS / BRUSH / BROSSSE WEISS (STANDARD)/WHITE (STANDARD)/BLANC (STANDARD)	6.906-054.0	1	31	STAENDER BD / STAND / MONTANTS	5.052-044.0	1
3	SCHEIBENBUERSTE GR / BRUSH / BROSSSE GRAU/GREY/GRIS	6.906-055.0	1	32	SCHNELLBEFESTIGER / QUICK-FASTENER / ATTACHE RAPIDE	6.343-149.0	2
3	SCHEIBENBUERSTE NAT / BRUSH / BROSSSE NATUR/NATURE/NATURE	6.906-056.0	1	33	ROLLE / ROLLER / ROULETTE	5.435-004.0	1
4	WELLE / SHAFT / ARBRE	5.100-187.0	1	34	ACHSE RAD / AXLE / ESSIEU	5.105-266.0	1
5	PASSFEDER 6X 6X 25 / SPRING / RESSORT D'ADJUSTAGE	7.318-030.0	2	35	STANDFUSS / STAND FOOT / PIED	5.031-519.0	1
6	FLANSCH / FLANGE / BRIDE	5.122-293.0	1	36	BIEGEFEDER / SPIRAL SPRING / RESSORT SPIRAL	5.335-035.0	1
7	SCHEIBE 8,4 / WASHER / RONDELLE	7.312-073.0	5	37	6KT-MUTTER M 6 / HEXAGON NUT / ECROU HEXAGONAL	7.311-067.0	1
8	6KT-SCHR. M 8X 16 / HEXAGONAL HEAD SCREW / VIS HEXAGONAL	7.304-538.0	5	38	S-RING 15X1 / SPRING CLIP / CIRCLIP	7.343-015.0	1
9	SCHILD / DECAL / PLAQUE	5.389-705.0	1	39	S-RING 35X1,5 / SPRING CLIP / CIRCLIP	7.343-167.0	1
10	ROLLE / ROLLER / ROULETTE	5.515-096.0	1	40	KUGELLAGER 6202-2RS / BALL BEARING / ROULEMENT A BILLE	7.401-128.0	1
11	ACHSE / AXLE / ESSIEU	5.105-278.0	1	41	ROLLE / ROLLER / ROULETTE	5.435-001.0	1
12	SCHNELLBEFESTIGER / QUICK-FASTENER / ATTACHE RAPIDE	6.343-224.0	2	42	S-SCHEIBE 12 / LOCK WASHER / RONDELLE D'ARRET	7.343-206.0	2
13	SCHEIBE R 9 / WASHER / RONDELLE	7.312-268.0	1	43	HEBEL KPL. / LEVER / LEVIER	4.481-130.0	1
14	HAUBE DISKKOPF / COVER / CAPOT	5.066-965.0	1	44	ACHSE / AXLE / ESSIEU	5.105-274.0	1
14	HAUBE DISKKOPF / COVER / CAPOT	5.066-987.0	1	45	ACHSE / AXLE / ESSIEU	5.105-226.0	1
16	SCHRAUBE M 6X 10 / SCREW / VIS	7.306-191.0	1	46	SCHRAUBE M 6X 80 / SCREW / VIS	6.304-140.0	1
17	SCHNECKENGETRIEBE / WORM GEARING / ENGRENAGE A VIS	6.454-059.0	1	47	ZUSATZGEWICHT / SUPPLEMENTARY WEIGHT / POIDS SUPPLEMENTAIRE	4.031-004.0	1
19	FAECHERSCHEIBE A8,4 / SERRATED LOCK WASHER / RONDELLE A EVENTAIL	7.312-022.0	4	48	KREUZGRIFF M 6 / STAR HANDLE / POIGNEE EN ETOILE	6.310-023.0	1
21	S-RING 47X 1,75 / SPRING CLIP / CIRCLIP	7.343-115.0	1	49	SCHEIBE 10,5 / WASHER / RONDELLE	7.312-074.0	4
22	KUGELLAGER 6204-2RS / BALL BEARING / ROULEMENT A BILLE	7.401-173.0	1	54	WINKELTUELLE / ANGLE SOCKET / COUDE	6.390-002.0	1
23	SCHRAUBE M 6X 20 / SCREW / VIS	7.306-092.0	6	55	PAD-TREIBTELLER / DISK / DISQUE	4.762-229.0	1
24	SCHEIBE 6,4 / WASHER / RONDELLE	7.312-292.0	4	55	PAD-TREIBTELLER / DISK / DISQUE	4.762-230.0	1
				55	PAD-TREIBTELLER / DISK / DISQUE	6.906-075.0	1
				55	PAD-TREIBTELLER / DISK / DISQUE	6.906-078.0	1
				56	POLIERPAD SCHWARZ / POLISHING PAD / GARNITURE A POLIR	6.369-015.0	1
					SCHWARZ/BLACK/NOIR		
				56	POLIERPAD GRUEN / POLISHING PAD / GARNITURE A POLIR	6.369-016.0	1
					GRUEN/GREEN/VERT		
				56	POLIERPAD ROT / POLISHING PAD / GARNITURE A POLIR	6.369-017.0	1
					ROT/RED/ROUGE		

"=> xxxxxx" = bis Werknummer / up to serial No. / jusqu' au No. de fabr. / "xxxxxx =>" = ab Werknummer / from serial No. / a partir du No. de fabr. /

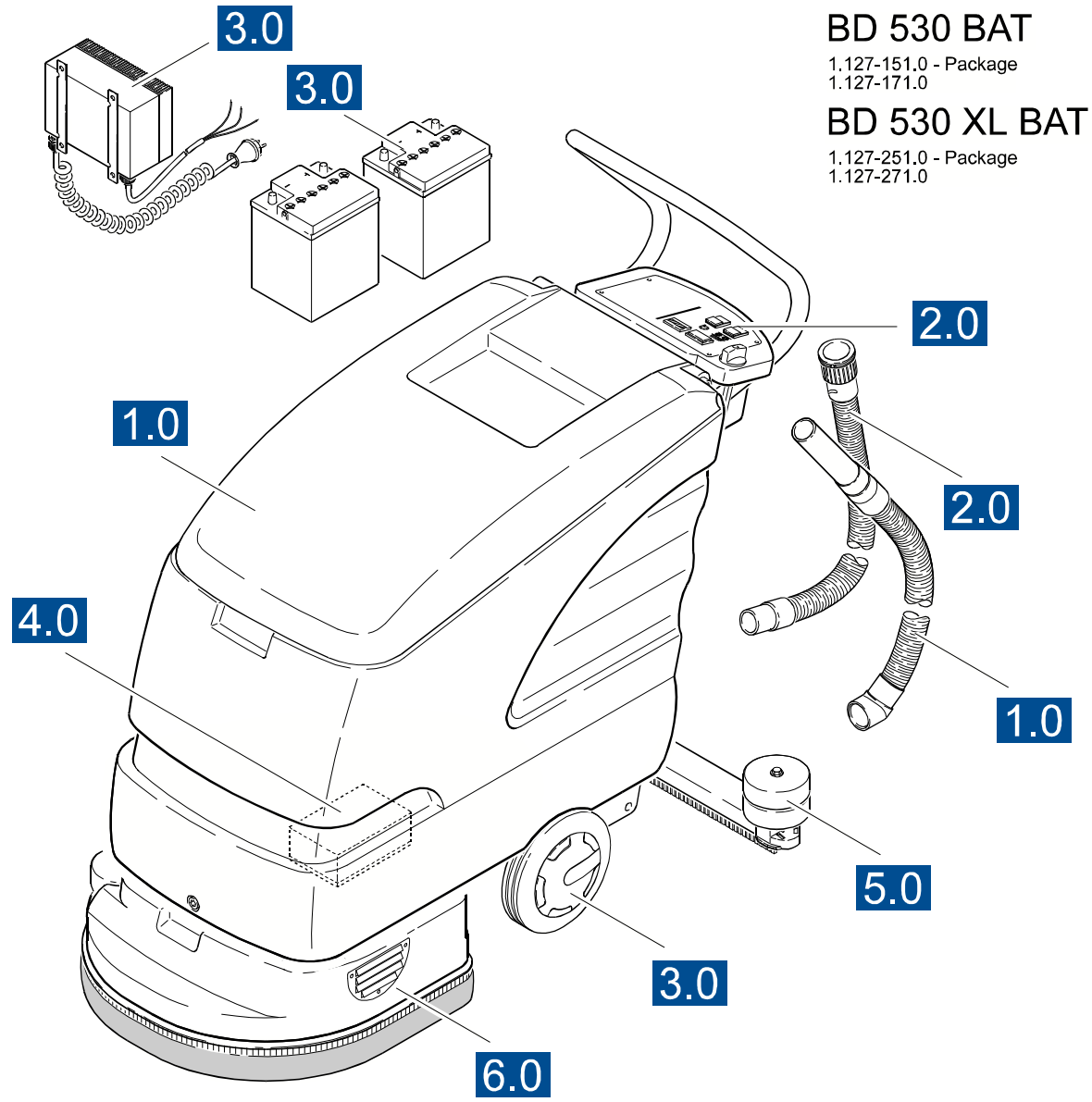
GRUPPE: 6.3 BODENKOPF BD XL / 41647 =>
GROUP: 6.3 POWER BRUSH / 41647 =>
GRUPPE: 6.3 BROSSE / 41647 =>

J6

BD 530 BAT

POS.	BENNENUNG	TEILE-NR.	STCK
ITM.	DESCRIPTION	PART-NO.	QTY.
POS.	DESIGNATION	NO.PIECE	NBR.
56	POLIERPAD SCHWARZ / POLISHING PAD / GARNITURE A POLIR SCHWARZ/BLACK/NOIR	6.369-022.0	1
56	POLIERPAD GRUEN / POLISHING PAD / GARNITURE A POLIR GRUEN/GREEN/VERT	6.369-023.0	1
56	POLIERPAD ROT / POLISHING PAD / GARNITURE A POLIR ROT/RED/ROUGE	6.369-024.0	1
57	DECKEL / COVER / COUVERCLE	5.063-832.0	1
57	DECKEL / COVER / COUVERCLE	5.063-840.0	1
58	SCHRAUBE 5 X 16 / SCREW / VIS	7.303-104.0	3

"=> xxxxxx" = bis Werknummer / up to serial No. / jusqu' au No. de fabr. / "xxxxxx =>" = ab Werknummer / from serial No. / a partir du No. de fabr. /



BD 530 BAT

1.127-151.0 - Package
1.127-171.0

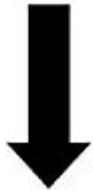
BD 530 XL BAT

1.127-251.0 - Package
1.127-271.0

Bestellhinweis

Bei Ihrer Bestellung sind unbedingt anzugeben :

1.	2.	3.	4.	5.
Gerätetyp Machine model Type d'appareils	Herstell-Nr. Serial-No. No. de série	Benennung Description Désignation	Teile-Nr. Part No. Référence	Stückzahl Piece No. Quantité



**siehe Typenschild
see name-plate
voir plaque signalétique**



**siehe Ersatzteilliste
see spare parts list
voir liste des pièces de rechange**

- Die Ersatzteile, welche als Meterware geliefert werden, sind auf Einbaulänge selbst zu kürzen. Ebenso sind die Stückzahlen in den jeweiligen Gruppen als Mindestbestellmengen = 1m angegeben und können je nach Bedarf auf weitere volle Meterzahlen erhöht und bestellt werden.
- Spare Parts which are delivered as cut goods have to be shortened to installation length. The quotation of quantity in each group refers to the minimum order quantity = 1m and may be ordered and raised to further full metre-values according to demand
- Les pièces de rechange qui sont livrées comme marchandise au mètre sont à raccourcir selon la longueur d'installation. Les indications de quantité dans chaque group se réfèrent à des valeurs de mètre de plus.
- Diese Ersatzteilliste erscheint in gedruckter Form sowie als Mikrofiche. Bei Querverweisen bezieht sich die Angabe "Seitenzahl" auf die gedruckte Ersatzteilliste und die Angabe "Bildtafel" auf die Mikrofichenausgabe.
- This spare parts list is published both in printed form and as a microfiche. In the cross-references, "page number" refers to the printed spare parts list and "display table" to the microfilm edition.
- Cette liste de pièces de rechange est aussi bien imprimée que publiée sous forme de microfiche. Les indications transversales renvoient au "numéro de page" sur la liste imprimée des pièces de rechange et à la "planche" sur la microfiche.

Bitte beachten Sie, daß der Teileumfang dieser Ersatzteilliste nicht unbedingt dem Lieferumfang Ihres Gerätes entspricht.

For your information: It could be that certain parts quoted in this spare parts list were not included with the machine delivery.

Pour votre information: il se peut que certaines pièces détachées mentionnées sur la liste ne vous aient pas été livrées avec l'appareil.

Die in dieser Ersatzteilliste nicht aufgeführten Einzelteile, bestellen Sie bitte direkt beim Vertragskundendienst des jeweiligen Herstellers.

Please order the individual parts not included in this assembly directly with the contract aftersales service of the manufacturer in question.

Veillez s'il vous plaît, commander les pièces détachées qui ne sont indiquées dans notre liste des pièces détachées, directement auprès du service après-vente des fabricants en question.

Bei Bestellung von lackierten Teilen, welche in der Ersatzteilliste nicht in verschiedenen Farben ausgewiesen sind, ist zusätzlich die Farbnummer oder Farbe mit anzugeben. Diese finden Sie auf dem Typenschild oder Farbschild Ihres Gerätes.

Upon ordering of varnished parts which are not mentioned in the spare parts list as parts with different colors, kindly additionally mention the number of the color. It can be seen on the type plate of the color plate of your machine.

Commandant des parts vernissés qui ne sont pas mentionnés comme parts avec une couleur différente dans la liste des pièces détachées, veuillez mentionner de plus le numéro de la couleur. Il se trouve sur la plaque signalétique ou la plaque de couleur de votre machine.

Auflistungen von Einzelteilen bei Ersatzteil - u. Pumpensets sind in der Reihe "16" einzusehen, bzw. direkt unter dem entsprechenden Set aufgelistet.

Listings of single parts upon spare parts kits and pump kits can be seen in row "16" or directly listed below the corresponding kit.
Des établissements des pièces détachées en ce qui concerne les kits des pièces de rechange et les kits de pompes, peuvent être vus à la ligne "16" ou ils sont répertoriés directement au-dessous du jeu correspondant.

Technische Änderungen im Rahmen der Weiterentwicklung sowie das Recht der ausschließlichen Auswertung unseres geistigen Eigentums behalten wir uns vor. Vervielfältigung und Nachdruck nur mit Genehmigung und Urheberhinweis möglich.

We reserve the right to make technical changes in the course of development work and the right to make exclusive use of our intellectual property. This spare parts list may be duplicated or reprinted only with our approval and with acknowledgement of our copyright.

Nous nous réservons le droit de toutes modifications techniques dans le cadre du perfectionnement des mises au point ainsi que le droit de la mise en valeur exclusive de notre propriété intellectuelle. Polycopie et reproduction exclusivement après accord et avec mention de l'auteur.

GRUPPE:	1.0 HAUBE UND MOTOR	A1-C1
GROUP:	1.0 COVER	
GRUPPE:	1.0 CAPOT	
GRUPPE:	2.0 GERAET-EINZELTEILE	A2-I2
GROUP:	2.0 APPLIANCE - PIECE PARTS	
GRUPPE:	2.0 USTENSILE-PIECES CONSTIT.	
GRUPPE:	3.0 FAHRGESTELL	A3-C3
GROUP:	3.0 CHASSIS	
GRUPPE:	3.0 CHASSIS	
GRUPPE:	4.0 SCHALTKASTEN BAT	A4-C4
GROUP:	4.0 SWITCH BOX	
GRUPPE:	4.0 COFFRET ELECTRIQUE	
GRUPPE:	5.0 SAUGEINRICHTUNG	A5-G5
GROUP:	5.0 SUCTION PART	
GRUPPE:	5.0 INSTALLATION D'ASPIRATION	
GRUPPE:	6.0 BODENKOPF BD	A6-J6
GROUP:	6.0 POWER BRUSH	
GRUPPE:	6.0 BROSSE	



BEISPIEL: VERSION 1
 EXAMPLE: VERSION 1
 EXEMPLE: VERSION 1



BEISPIEL: SIEHE IN GRUPPE 3
 EXAMPLE: SEE IN GROUP 3
 EXEMPLE: VOIR EN GROUPE 3



WICHTIGER HINWEIS
 IMPORTANT REMARK
 REMARCAQUAGE IMPORTANT

GRUPPE 1-16 = MIKROFILM 1 GRUPPE 17-32 = MIKROFILM 2
 GROUP 1-16 = MICROFICHE 1 GROUP 17-32 = MICROFICHE 2
 GROUPE 1-16 = MICROFICHE 1 GROUPE 17-32 = MICROFICHE 2

BESTELLHINWEIS SIEHE M15
 EXAMPLE ORDER SEE M15
 EXEMPLE DE COMMANDE VOIR M15

VARIANTENÜBERSICHT SIEHE L16
 VARIANTS SURVEY SEE L16
 VUE D'ENSEMBLE DE VARIANTS VOIR L16