

PARTS LIST

RAIDER SERIES

**INVADER
FEARSOME-FOUR
DOMINATOR
FAST-FIVE**

ORDERING INFORMATION

Select Proper Part Numbers Required.

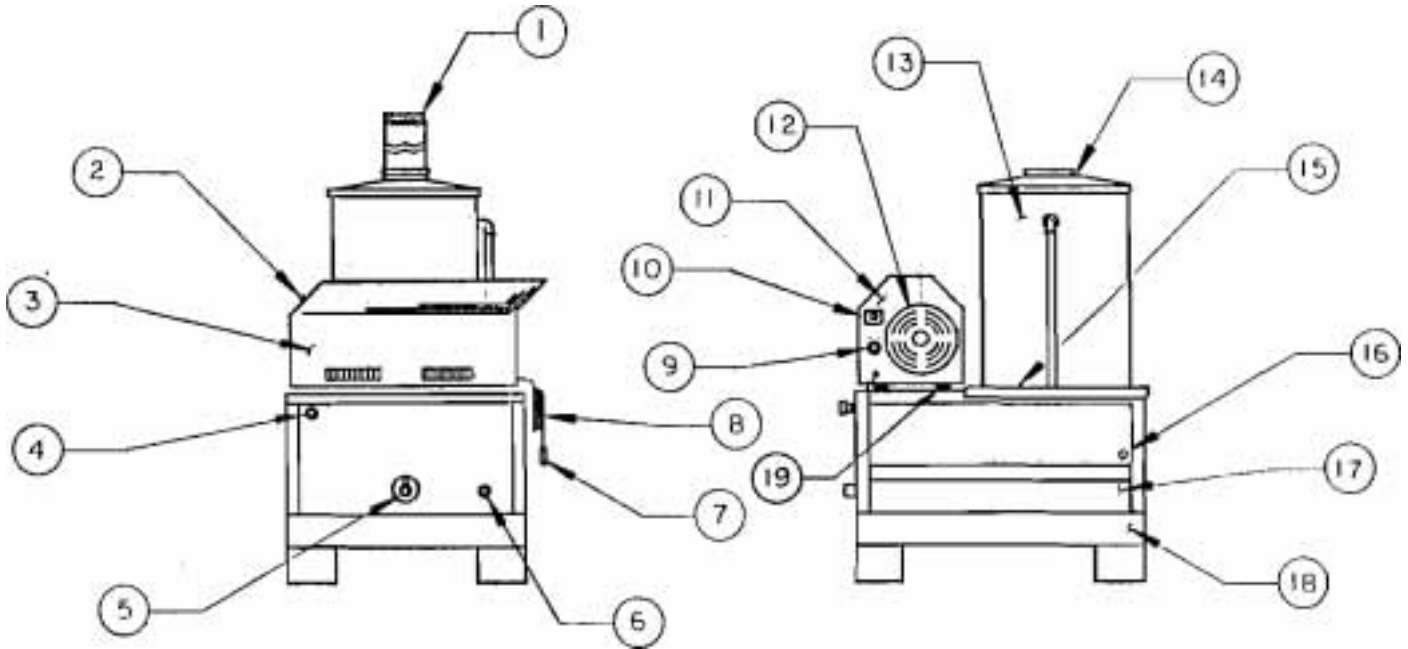
**Show Quantity Desired And Included Model
And Serial' Number Of Cleaner.**

**For Faster Service Order From Your
Nearest American Kleaner Distributor.**

Use Only Genuine American Kleaner Parts.

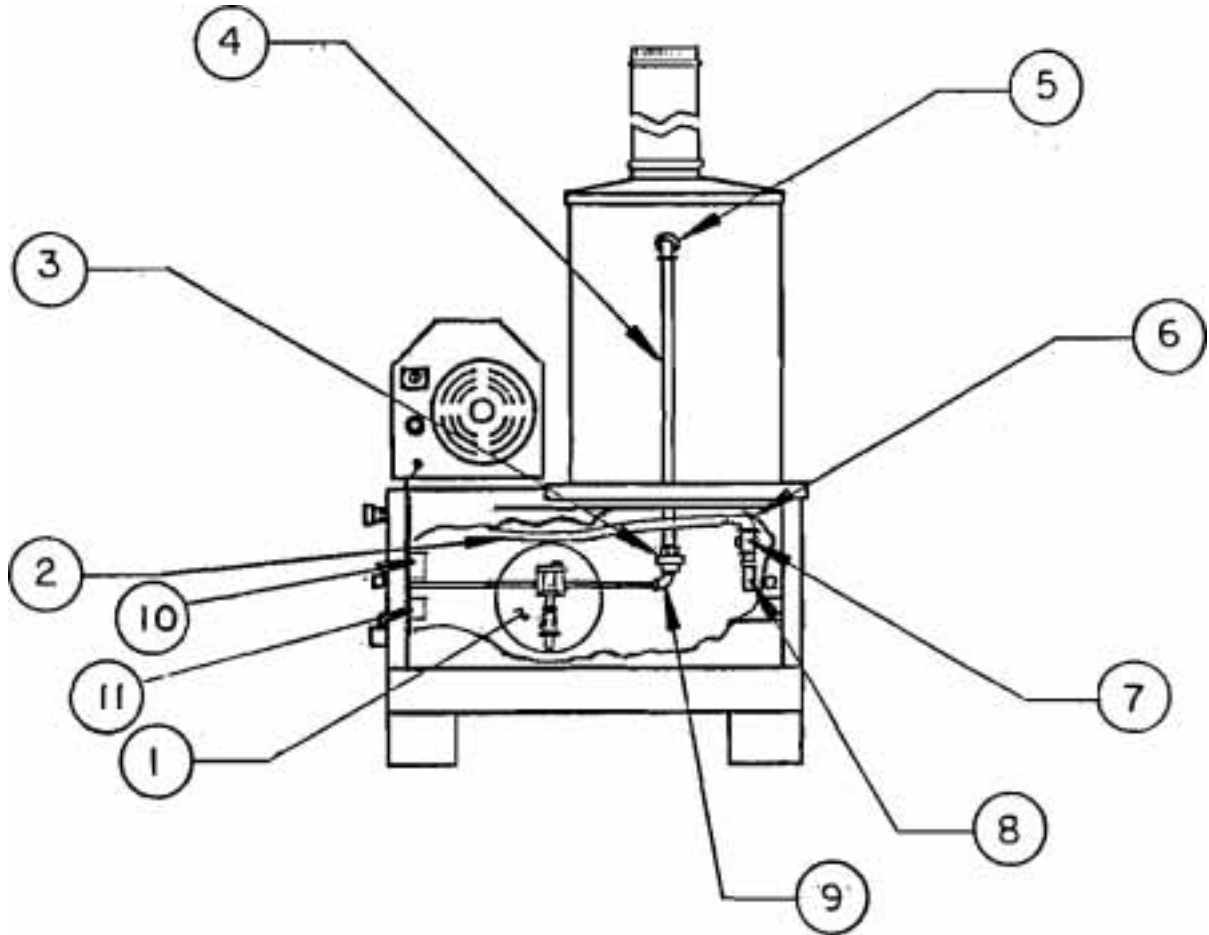
C o n t e n t s	Page
Components Parts List, Figure 1	2
Water Supply Tank, Figure 3	4
Coil Outlet, Figure 4	5
Water Pump and Motor Assembly, Figure 5	6
Flange Adaptor and Drive Hubs, Figure 6	8
Gas Valve Controls, Figure 7	9
Burner Assembly, Figure 8	10
Water Pump Parts List, INVADER and FAST FIVE, Figure 9	11
Water Pump Parts List, FEARSOME FOUR, Figure 10	14
Water Pump Parts List, DOMINATOR, Figure 11	17
Unloader and Soap Solenoid Valves	20
Accessories and Options	21

FIGURE 1
COMPONENTS PARTS LIST



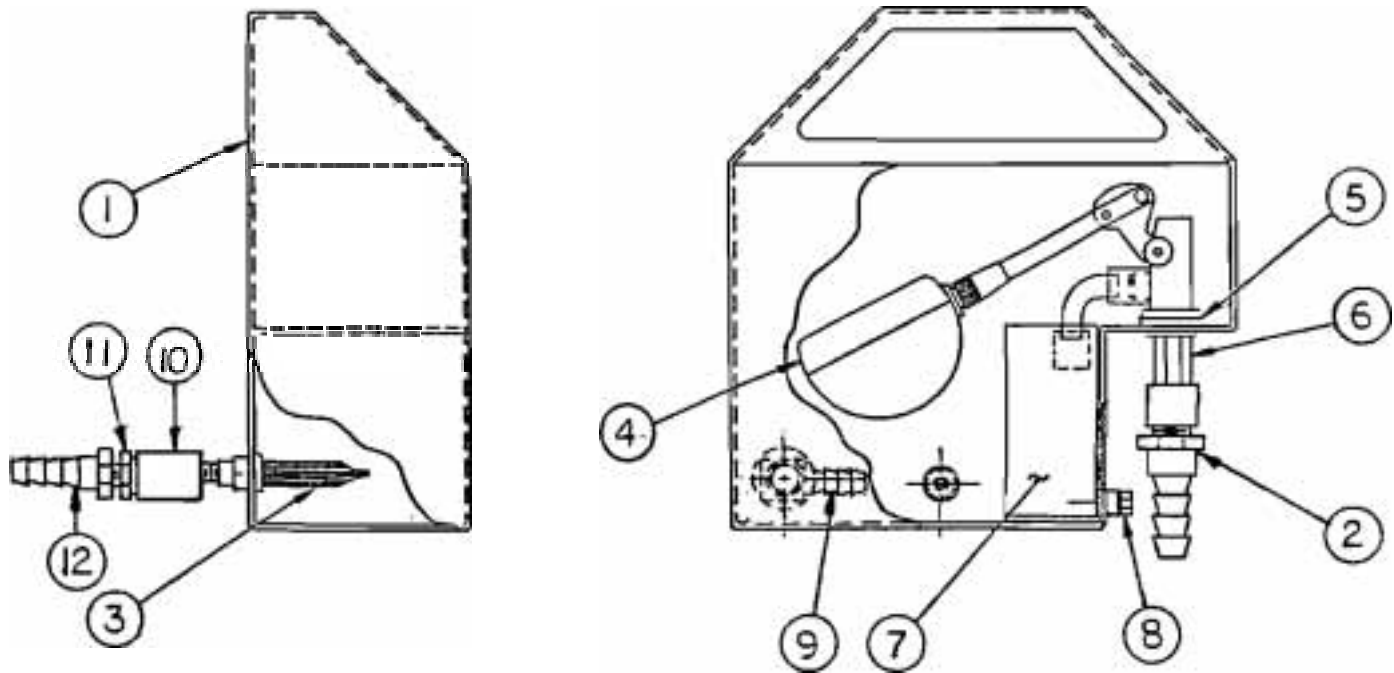
ITEM	PART NO.	DESCRIPTION
1	2.099-000.000001	Stack, Vent 7" x 30"
2	3.341-050.000001	Handle, Machinery Cover C/W Screws
3	5.535-010.000001	Cover, Machinery C/W Item 2
4	5.870-500.000001	Connector, Hose
5	Ref.	Connector, Gas 1" Pipe
6	Ref.	Connector, Discharge Hose
7	5.883-010.000001	Filter & Check valve, Soap Hose
8	5.468-101.000001	Hose, Soap Suction 1/4" x 9"
9	2.822-180.500001	Valve, Soap Control
10	2.147-305.000001	Switch, "OFF-ON-BURNER"
11	Ref.	Instrument Panel, See Figure 5
12	Ref.	Motor, See Figure 5
13	7.550-102.000001	Shell, Heater
14	7.550-605.000001	Hat, Heater Cover
15	1.658-050.000001	Label, Operator "WARNING"
16	6.801-050.000001	Knob, Door Latch
17	7.420-020.000001	Door, Machinery Base
18	7.530-102.000001	Chassis
19	2.821-905.000001	Cushion Connector

**FIGURE 2
COMPONENTS PARTS LIST**



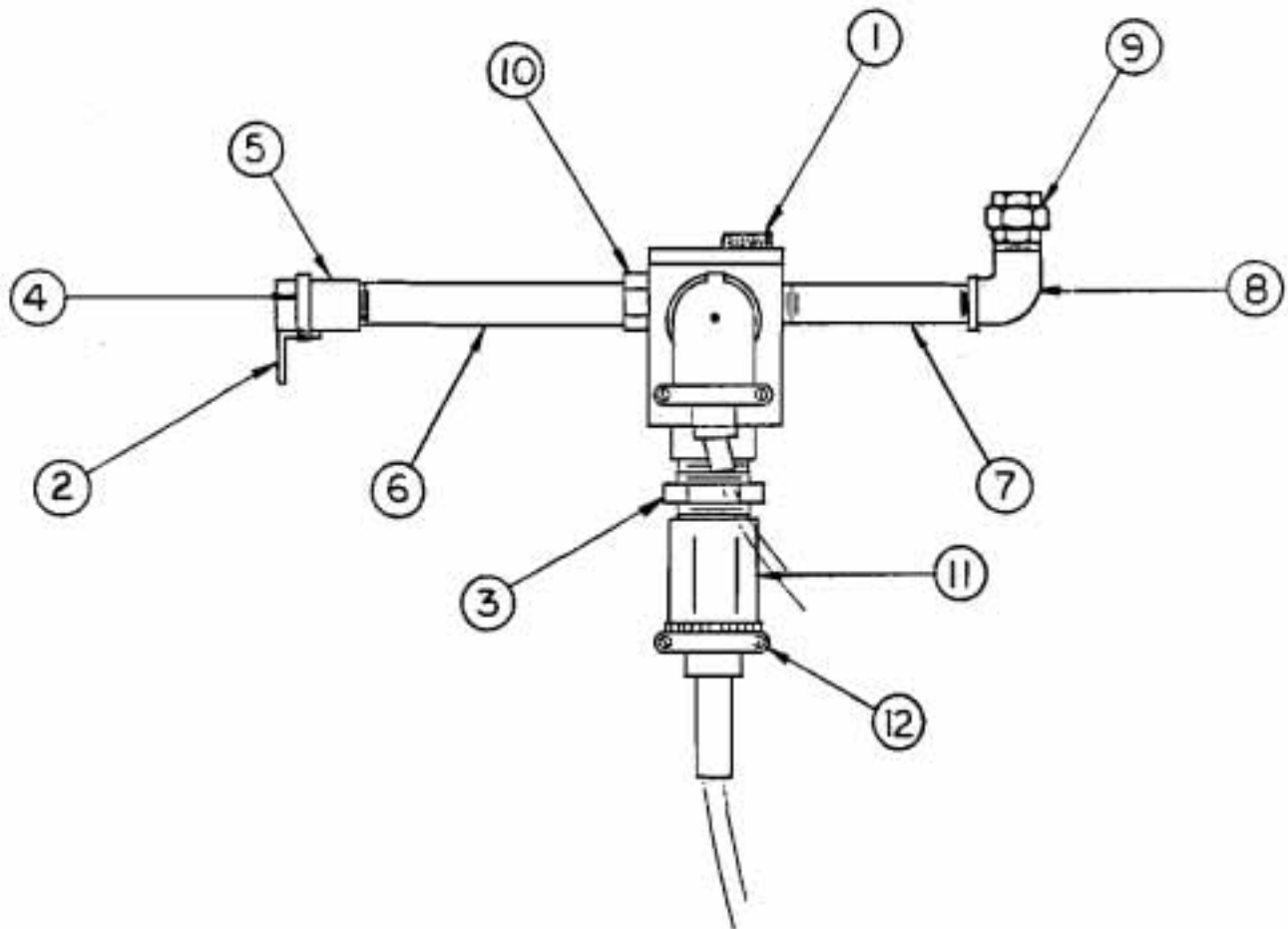
ITEM	PART NO.	DESCRIPTION
1	Ref.	See Figure 4, Coil Outlet
2	2.826-100.500001	Hose, Pump to Coil
3	8.621-003.000001	Union, 1/2" Galv.
4	8.903-580.000001	Nipple, 1/2" x 29"
5	8.710-030.000001	Elbow, 1/2" Pipe
6	8.720-103.000001	Street Elb, 1/2" Galv.
7	8.820-003.000001	Tee, 1/2" Galv.
8	6.141-205.000001	Valve, Safety Relief (FEARSOME FOUR, FAST FIVE)
	6.141-305.000001	Valve, Safety Relief (INVADER, DOMINATOR)
9	Ref.	Street Elb, 1/2" Galv. See Item 6.
10	7.590-505.000001	Transformer

FIGURE 3
WATER SUPPLY TANK



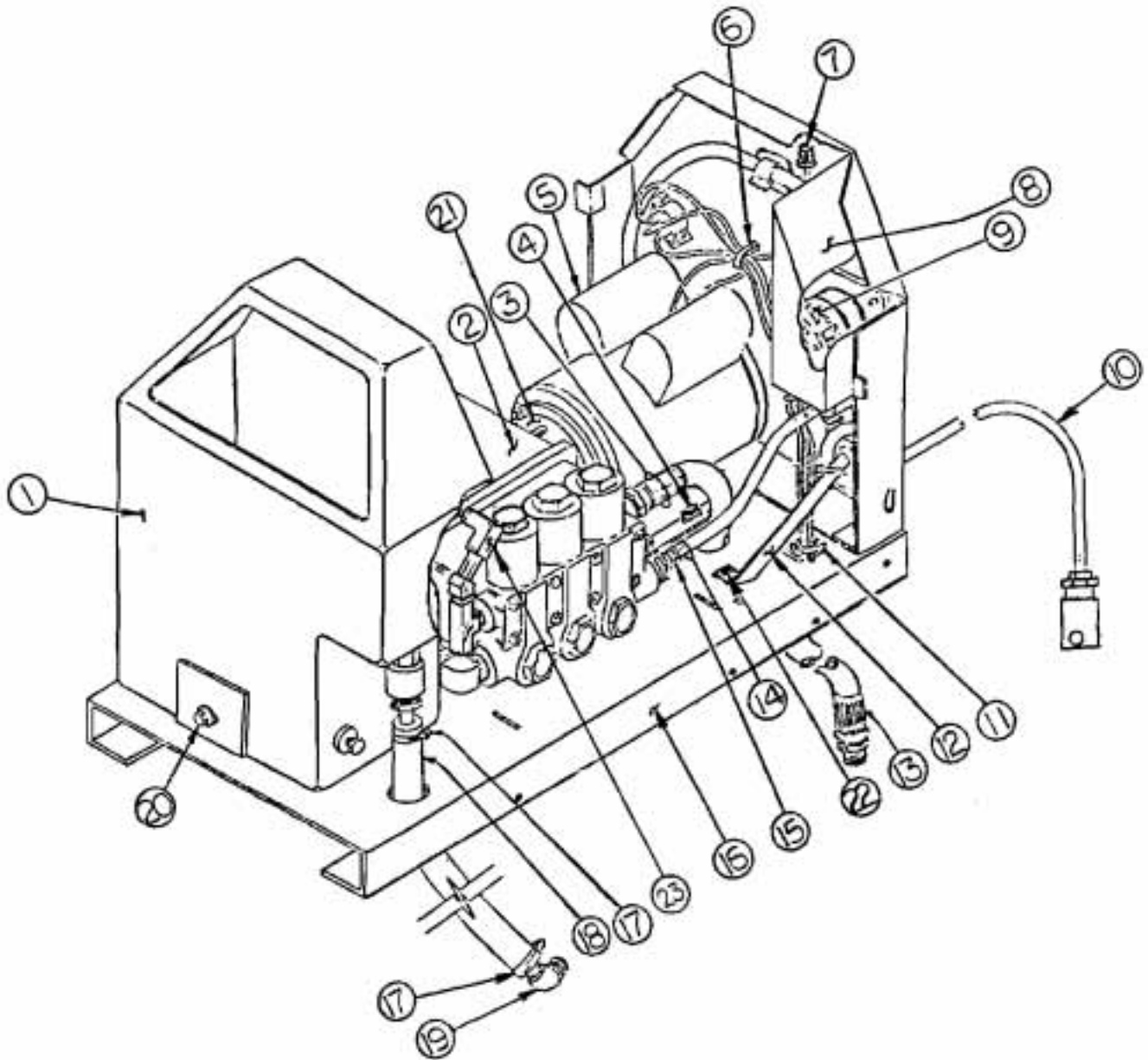
ITEM	PART NO.	DESCRIPTION
1	5.566-105.000001	Water Tank Molded, Blue
2	7.333-050.000001	Spud, 1/2" P x 5/8" H (Nylon)
3	1.368-403.000001	Screen, Filter 9/16"
4	5.566-701.000001	Float Valve Sub-Assembly
5	5.466-205.000001	Gasket, Float Valve
5A	5.466-941.000001	Float Valve & Gasket Kit
6	7.957-724.121601	Coupler, 1/2" Adapter
7	5.566-402.000001	Baffle
8	8.461-001.000001	Plug, Pipe 1/4"
9	7.801-305.000001	Spud, 1/2" P x 5/8" H (FAST FIVE)
	7.801-405.000001	Spud, 1/2" P x 1/2" H (FEARSOME FOUR, INVADER)
	7.801-105.000001	Spud, 1/2" P x 1/2" H (DOMINATOR)
10	1.054-305.000001	Tee, 1/2" M x 1/2" F x 1/2" F (Brass)
11	8.481-003.000001	Plug, 1/2" N.P.T. (Brass)
12	7.332-205.000001	Spud, 1/2" P x 3/8" H, Nylon (INVADER)

**FIGURE 4
COIL OUTLET**



ITEM	PART NO.	DESCRIPTION
1	7.431-010.000001	Control, Adjustable Temperature
2	3.074-020.000001	Bracket
3	1.117-110.500001	Switch, Temperature Safety
4	Commercial	Clamp
5	Commercial	Coupling, 3/8"
6	Commercial	Nipple, 3/8" x 12" Long
7	Commercial	Nipple, 1/2" x 12" Long
8	Commercial	Elbow, 1/2" - 90 degree Street
9	8.622-003.000001	Union, 1/2" (250 lb.)
10	Ref.	Bushing (Part of Item 1)
11	Commercial	PVC Coupling, 1/2"
12	9.999-311.700001	Squeeze Connector

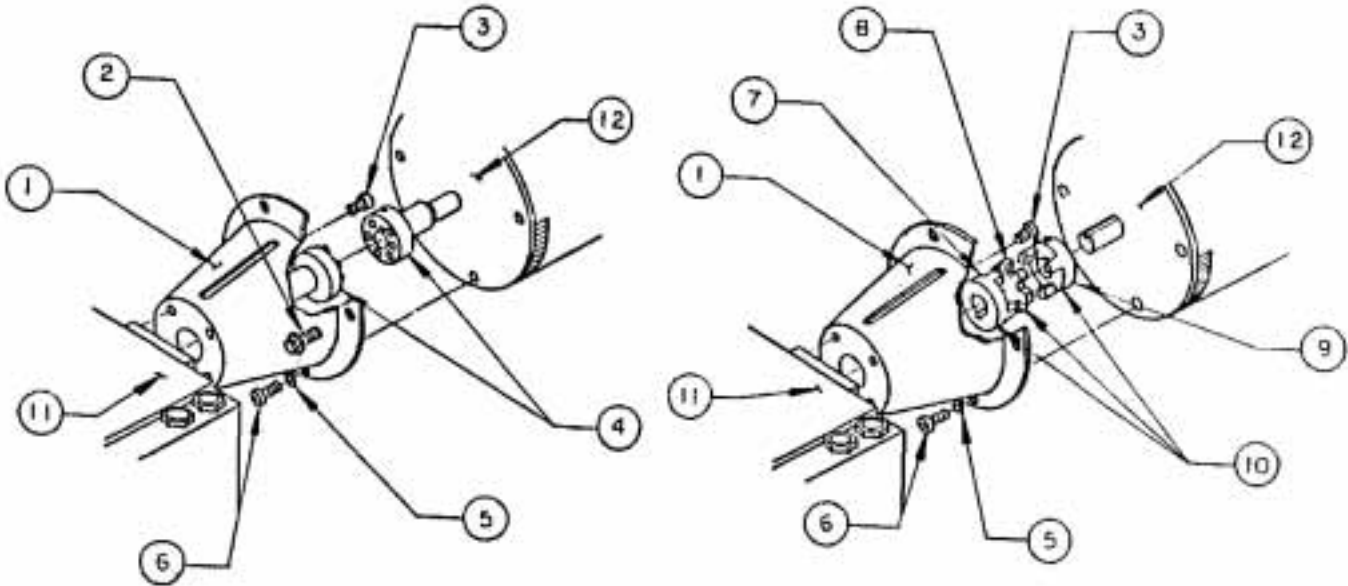
FIGURE 5
WATER PUMP AND MOTOR ASSEMBLY



**FIGURE 5
WATER PUMP AND MOTOR ASSEMBLY**

ITEM	PART NO.	DESCRIPTION
1	Ref.	Water Supply Tank, (See Figure 3)
2	7.952-050.000001	Pump, Water (FEARSOME FOUR)
	7.953-050.000001	Pump, Water (INVADER)
	7.954-050.000001	Pump, Water (FAST FIVE)
	7.951-405.000001	Pump, Water (DOMINATOR)
3	Ref.	Valve, Unloader (Not Shown. See Figure 12)
4	9.999-622.700001	Nut, Whiz, Motor Mount (4)
5	5.772-005.000001	Motor, 3.5 H.P. (FEARSOME FOUR)
	5.771-805.000001	Motor, 5.0 H.P. (INVADER, FAST FIVE)
	5.773-605.000001	Motor, 7.5 H.P. (DOMINATOR)
6	9.999-311.200001	Tie, Wire Wrap
7	9.999-302.400001	Nut, Electrical 3/16"-18, wire, red
8	5.556-202.000001	Panel, Instrument, Stainless Steel
9	2.147-305.000001	Switch, Operating
10	Ref.	Soap Line & Foot Valve Assembly (See Figure 1)
11	Ref.	Nut, Electrical 1/2"
12	5.546-020.000001	Brace, Inst. Panel Support-LH
	5.546-102.000001	Brace, Inst. Panel Support-RH
13	2.826-100.500001	Hose, H.P. Pump to Coil
14	Ref.	Valve, Soap Solenoid (See Fig. 1)
15	1.194-205.000001	Clamp, Soap Hose, Pump to Soap Metering Valve
16	5.551-010.000001	Base, Pump Motor Mounting, Stainless Steel
17	6.970-500.000001	Clamp Hose (3)
18	9.999-387.000001	Hose, 5/8" I.D. x 14"
19	7.337-050.000001	Spud, 5/8" H x 1/2" P x 90 degree Nylon
20	9.999-641.600001	Bolt, Flanged, HXD 1/4"-20 x 3/8"
21	5.547-203.000001	Adapter, Flange C/W Bolts (FEARSOME FOUR)
	5.547-103.000001	Adapter, Flange C/W Bolts (FAST FIVE, INVADER)
22	9.999-673.100001	Screw, Sheet Metal #8 x 3/8"
23	7.970-500.000001	Pressure Switch

FIGURE 6
FLANGE ADAPTOR AND DRIVE HUBS



INVADER

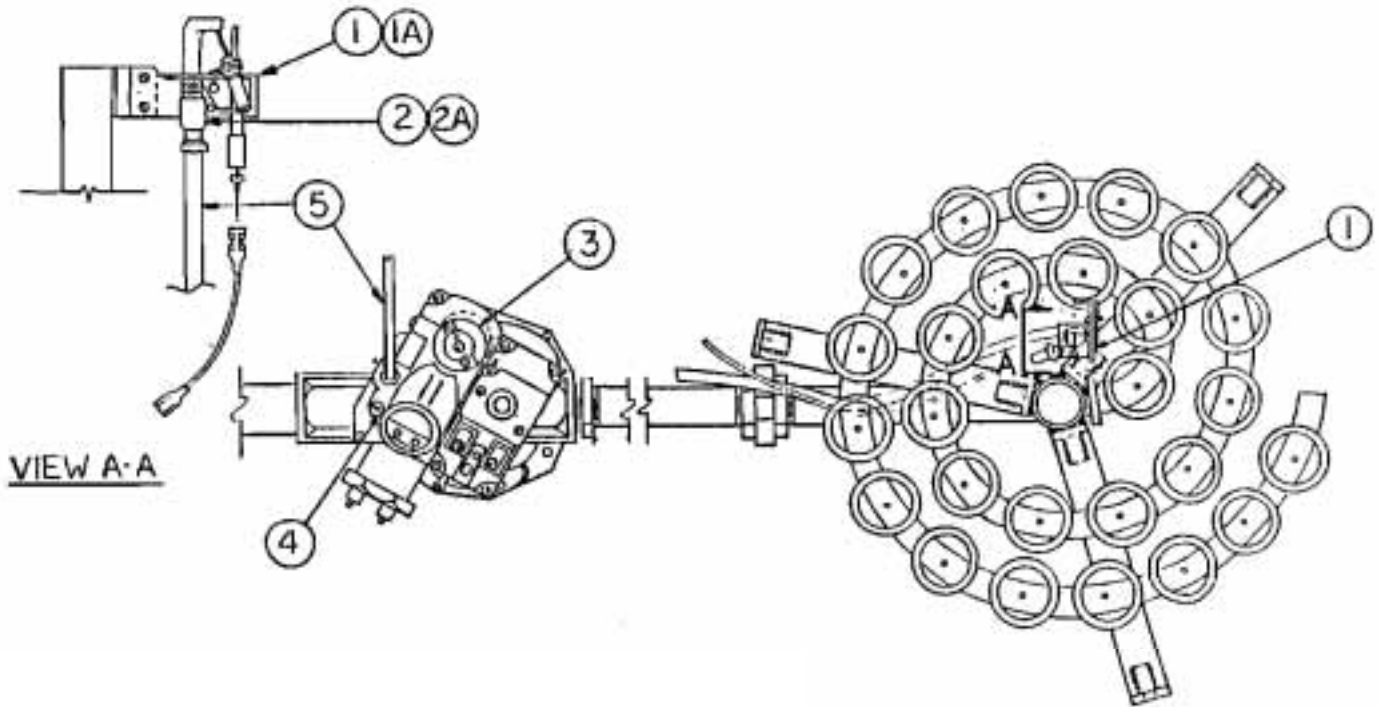
FEARSOME FOUR

DOMINATOR

FAST FIVE

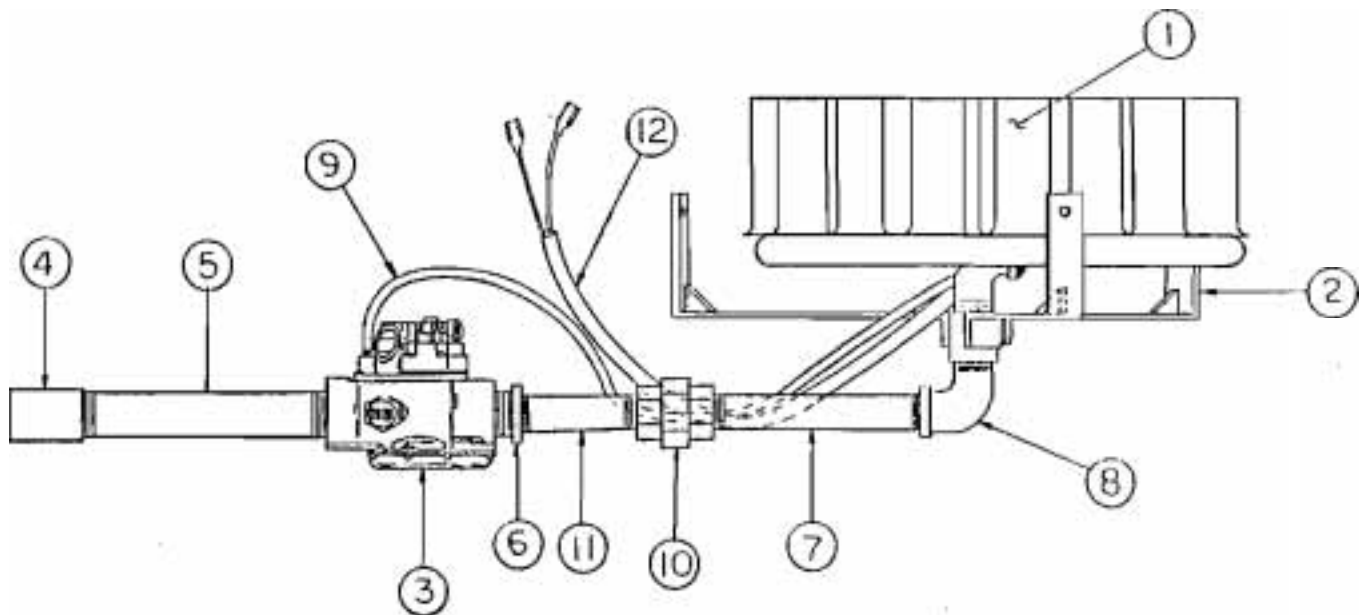
ITEM	PART NO.	DESCRIPTION	QTY.
1	5.547-203.000001	Adapter, Flange C/W 4 Item 3 (FEARSOME FOUR)	1
	5.547-103.000001	Adapter, Flange C/W 4 Item 3 (FAST FIVE, INVADER)	1
	7.540-503.000001	Adapter, Flange C/W Bolts (DOMINATOR)	1
2	Ref.	Bolt, Washer Head supplied with Item 1	4
3	Ref.	Bolt, Washer Head	1
4	7.959-309.120001	Hub, Pump & Motor Coupler (FEARSOME FOUR, FAST FIVE)	1 Set
5	9.999-605.000001	Lock Washer, 1/2" Galv.	4
6	Ref.	Bolt, 1/2" - 13 x 1-1/4" Allen Head, Supplied with Item 1	
7	1.498-441.050001	Hub, Pump Coupler (FEARSOME FOUR, FAST FIVE)	1
8	1.498-540.500001	Spider, Urethane Sox P/N 7.959-356.145001	1
9	1.498-442.050001	Hub, Motor Coupler (FEARSOME FOUR, FAST FIVE)	1
10	7.959-341.990001	Pump Coupler, Matched Set (DOMINATOR)	1
11	Ref.	Pump (See Figure 5, Item 2)	
12	Ref.	Motor (See Figure 5, Item 5)	

FIGURE 7
GAS VALVE CONTROLS



ITEM	PART NO.	DESCRIPTION
1	7.590-190.100001	Pilot Assembly N.G. (.018)
1A	7.590-180.100001	Pilot Assembly L.P. (.0115)
2	1.506-805.000001	Orifice, N.G. (.018)
2A	1.506-905.000001	Orifice, L.P. (.0115)
3	Ref.	Main Gas Control
4	Ref.	Pilot Gas Regulating Adj. Screw
5	Ref.	Pilot Gas Line and Connection

**FIGURE 8
BURNER ASSEMBLY**



ITEM	PART NO.	DESCRIPTION
1	7.414-602-000001 7.414-702.000001	Burner, Natural Gas Burner, L.P. Gas
2	7.414-302.000001	Bracket, Burner Mount
3	7.590-105.000001	Valve, Gas Control 240 VAC
4	Commercial	Coupling, 1"
5	Commercial	Nipple, 1" x 7-1/2" Long
6	Commercial	Bushing, 1" -3/4"
7	Commercial	Nipple, 3/4" x 8" Long
8	Commercial	Nipple, 3/4" -90 degrees Street
9	Commercial	Copper Tubing, 1/4" x 30" Long
10	Commercial	Union, 3/4" x 4"
11	Commercial	Nipple, 3/4" x 4"
12	9.999-565.500001	Insulation, Rope 23" Long

**FIGURE 9
WATER PUMP PARTS LIST
INVADER FAST FIVE**

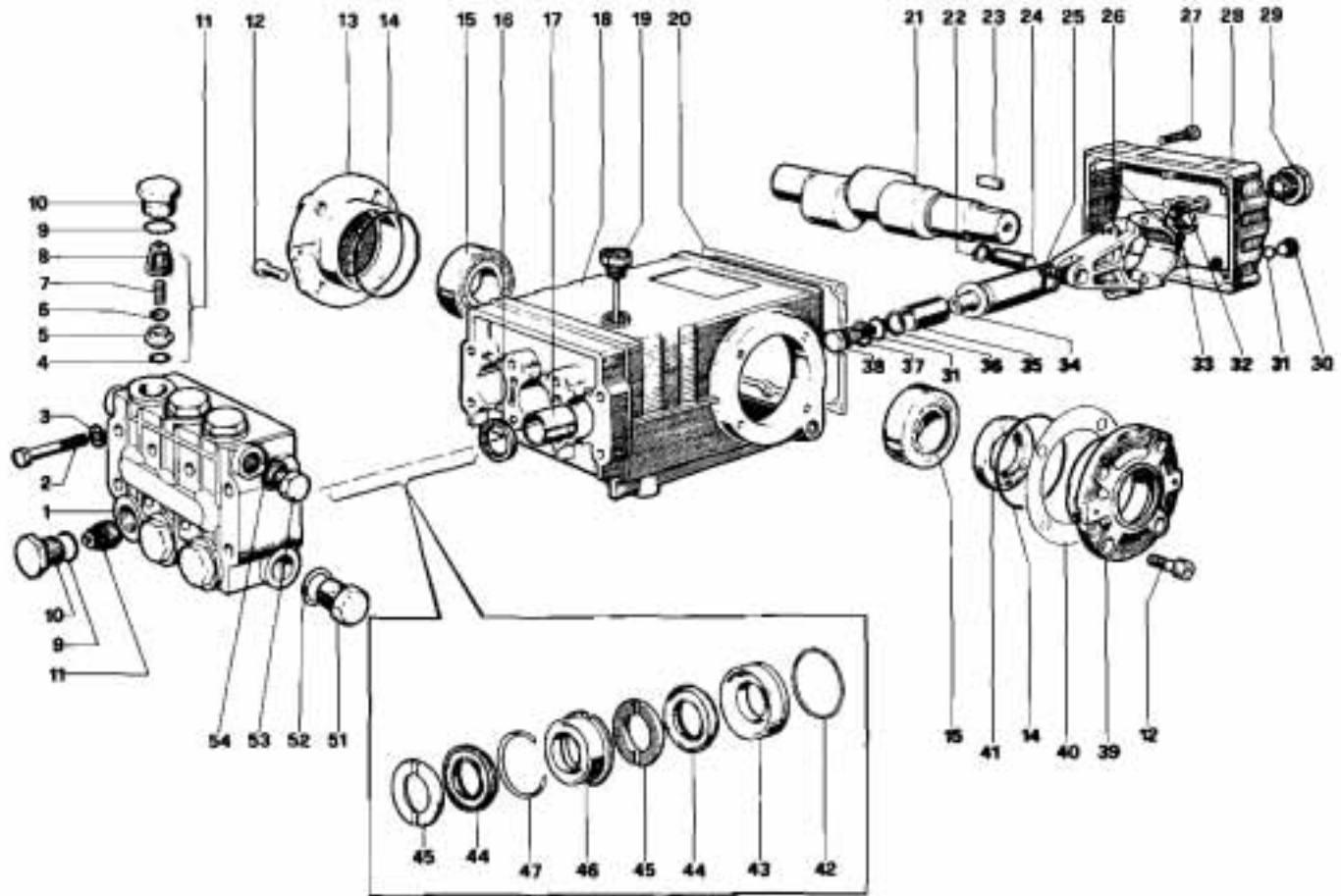


FIGURE 9
WATER PUMP PARTS LIST
INVADER FAST FIVE

ITEM	PART NO.	DESCRIPTION	QTY
1	7.954-712.084101	Pump Head	1
2	7.959-932.060001	Screws	8
3	7.959-670.200001	Washers	8
4	7.959-038.410001	O Rings	6
5	7.953-620.036601	Valve Seats	6
6	7.953-620.017601	Valve Plates	6
7	7.959-473.760001	Springs	6
8	7.953-620.025101	Valve Guides	6
9	7.959-038.470001	O Rings	6
10	7.959-822.200001	Caps	6
11	7.953-670.320101	Valve Assembly	6
12	7.959-930.390001	Screws	8
13	7.954-715.052201	Crankcase Closed Cover	1
14	7.959-039.130001	O Rings	2
15	7.959-183.750001	Tapered Roller Bearings	2
16	7.959-016.250001	Oil Seals	3
17	7.959-091.260001	Bushings	3
18	7.954-701.042201	Crankcase	1
19	7.959-821.060001	Oil Dip Stick	1
20	7.954-721.198401	Cover Gasket	1
21	7.954-702.183501	Crankshaft (FAST FIVE)	1
21	7.954-702.193501	Crankshaft (INVADER)	1
22	7.959-005.570001	Snap Rings	6
23	7.959-914.878001	Key	1
24	7.959-773.800001	Wrist Pins	3
25	7.954-705.045401	Piston Guides	3
26	7.954-703.000001	Connecting Rods	3
27	7.959-918.370001	Screws	5
28	7.954-716.032201	Crankcase Cover	1
29	7.959-759.680001	Oil Level Indicator	1
30	7.959-820.410001	Cap	1
31	7.959-035.850001	O Rings	4
32	7.959-930.990001	Screws	6
33	7.959-670.140001	Washers	6
34	7.959-672.860001	Washers	3
35	7.954-704.040901	Pistons	3
36	7.959-050.670001	Anti-extrusion Rings	3
37	7.959-672.800001	Washers	3
38	7.954-721.956601	Piston Screws	3
39	7.954-715.032201	Crankcase Open Cover	1
40	7.959-756.780001	Shims	2

FIGURE 9
 WATER PUMP PARTS LIST
 INVADER FAST FIVE

ITEM	PART NO.	DESCRIPTION	QTY
41	7.959-016.480001	Oil Seals	1
42	7.959-036.160001-	O Rings	3
43	7.954-708.057001	Packing Retainers	3
44	7.959-027.050001-	Packings	6
45	7.954-710.005101-	Head Rings	6
46	7.954-721.667001	Intermediate Rings	3
47	7.959-051.820001-	"Long Life" Rings	3
51	7.959-812.760001	Cap	1
52	7.959-675.140001	Washer	1
53	7.959-821.000001	Cap	1
54	7.959-673.800001	Washer	1
55	7.954-050.000001	Pump, Complete (FAST FIVE)	1
56	7.953-050.000001	Pump, Complete (INVADER)	1

REPAIR KITS - INVADER AND FAST FIVE

PART NO.	DESCRIPTION
7.954-100.000001	Valve Assembly, Consists of (3 each) Items 4, 5, 6, 7 & 8
7.954-201.000001	Piston Oil Seal, Consists of (3) Item 16
7.954-300.000001	Crankcase Oil Seal, Consists of (2) Item 41
7.954-400.000001	Valve Cap Assembly, Consists of (6 each) Items 9 & 10
7.954-600.000001	Piston Retainer, Consists of (3 each) Items 31, 36, 37 & 38
7.954-700.000001	Head Ring, Consists of (6) Item 45
7.954-800.000001	Packing, Consists of (6) Item 44
7.954-900.000001	Intermediate Ring, Consists of (3 each) Items 46 & 47
7.954-101.000001	Packing Retainer, Consists of (3 each) Items 42 & 43
7.954-280.000001	Packing Assembly, Consists of (1 each) Items 42, 43, 44, 45, 46 & 47

FIGURE 10
 WATER PUMP PARTS LIST
 FEARSOME POUR

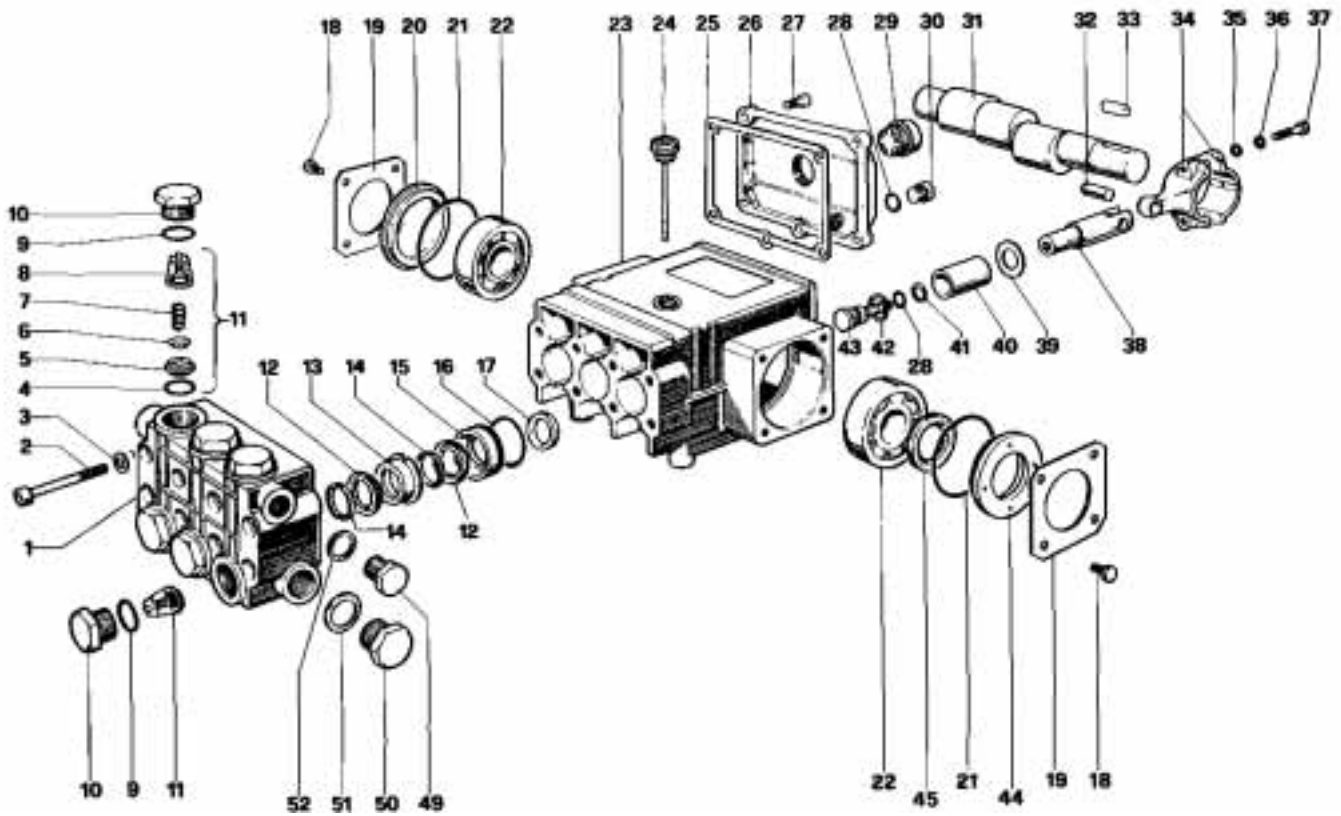


FIGURE 10
WATER PUMP PARTS LIST
FEARSOME FOUR

ITEM	PART NO.	DESCRIPTION	QTY
1	7.955-012.074101	Pump Head (Brass)	1
2	7.959-931.750001	Screws	8
3	7.959-670.140001	Washers	8
4	7.959-038.410001	O Rings	6
5	7.953-620.036601	Valve seats	6
6	7.953-620.017601	Valve Plates	6
7	7.959-473.760001	Springs	6
8	7.953-620.025101	Valve Guide	6
9	7.959-038.470001	O Rings	6
10	7.959-822.200001	Caps	6
11	7.953-670-320101	Valve Assembly	6
12	7.959-027.030001	Packings	6
13	7.955-021.667001	Intermediate Rings	3
14	7.955-010.005101	Head Rings	6
15	7.955-008.057001	Packing Retainers	3
16	7.959-036.120001	O Rings	3
17	7.959-016.140001	Oil Seals	3
18	7.959-918.070001	Screws	8
19	7.955-015.007401	Crankcase Covers	2
20	7.955-021.165101	Spacer	1
21	7.959-040.970001	O Rings	2
22	7.959-183.290001	Ball Bearings	2
23	7.955-001.042201	Crankcase	1
24	7.959-821.030001	Oil Dip Stick	1
25	7.955-021.198401	Cover Gasket	1
26	7.955-016.032201	Crankcase Cover	1
27	7.959-918.370001	Screws	5
28	7.959-035.850001	O Rings	4
29	7.959-759.680001	Oil Level Indicator	1
30	7.959-820.410001	Cap	1
31	7.955-002.183501	Crankshaft	1
32	7.959-773.300001	Wrist Pins	1
33	7.959-148-780001	Key	1
34	7.955-003.000101	Connecting Rods	3
35	7.959-669.400001	Washers	6
36	7.959-669.380001	Washers	6
37	7.959-919.270001	Screws	6
38	7.955-005.015601	Piston Guides	3
39	7.959-672.860001	Washers	3
40	7.955-004.040901	Pistons	3

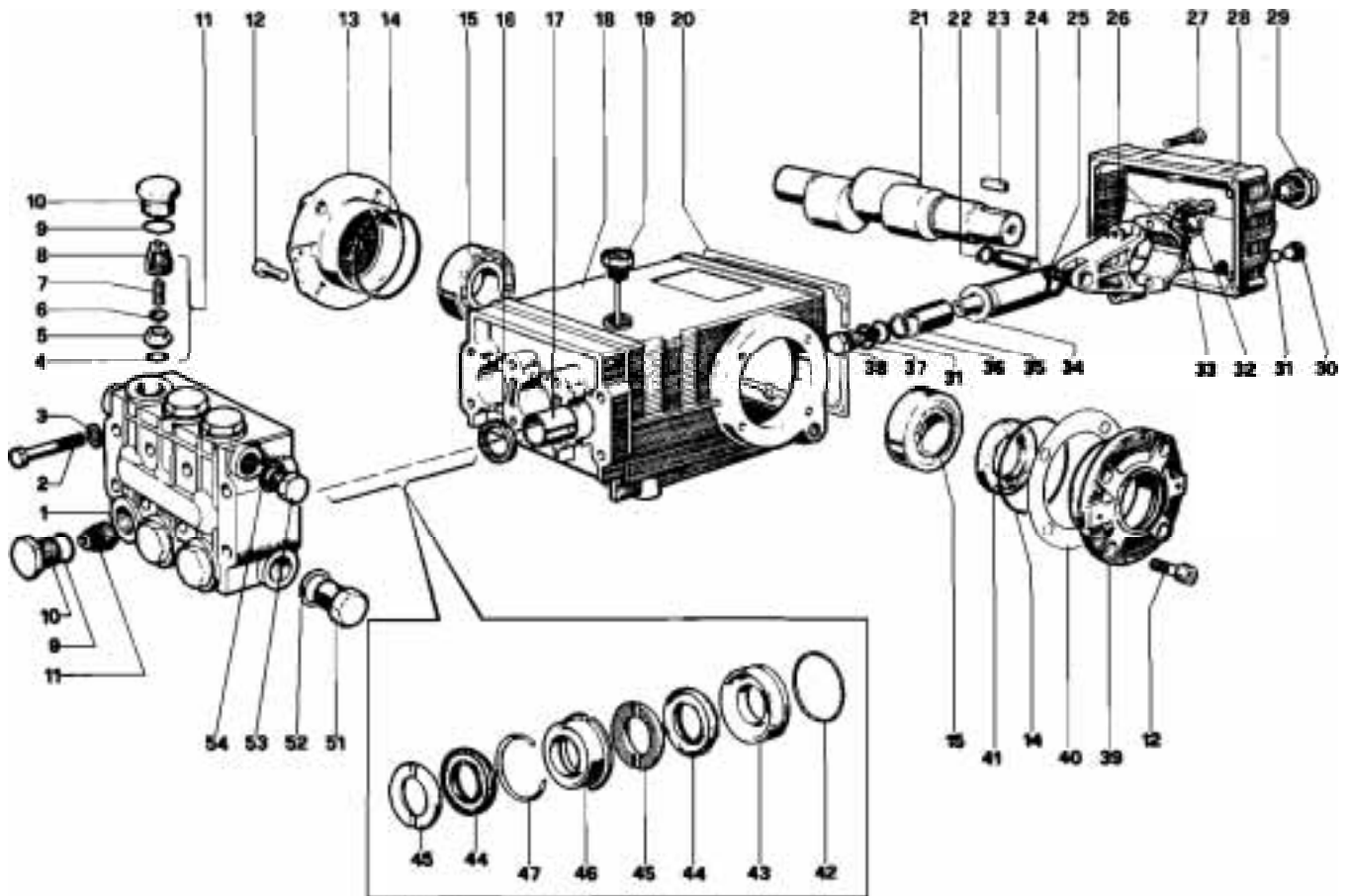
**FIGURE 10
WATER PUMP PARTS LIST
FEARSOME FOUR**

ITEM	PART NO.	DESCRIPTION	QTY
41	7.959-050.670001	Anti-Extrusion Rings	3
42	7.959-672.800001	Washers	3
43	7.954-721.956601	Piston Screws	3
44	7.955-021.155101	Spacer	1
45	7.959-016.340001	Oil Seal	1
49	7.959-821.000001	Cap	1
50	7.959-821.760001	Cap	1
51	7.959-675.140001	Washer	1
52	7.959-673.800001	Washer	1
53	7.952-050.000001	Pump, Complete	1

REPAIR KITS - FEARSOME FOUR

PART NO.	DESCRIPTION
7.954-100.000001	Valve Assembly, Consists of (6 each) Items 4, 5, 6, 7, & 8
7.954-400.000001	Valve Cap Assembly, Consists of (6 each) Items 9 & 10
7.954-600.000001	Piston Retainer, Consists of (3 each) Items 28, 41, 42, & 43
7.954-190.000001	Packing, Consists of (6) Item 12
7.954-200.000001	Intermediate Ring, Consists of (3) Item 13
7.954-210.000001	Head Ring, Consists of (6) Item 14
7.954-220.000001	Packing Retainer, Consists of (3 each) Items 15 & 16
7.954-230.000001	Piston Oil Seal, Consists of (3) Item 17
7.954-270.000001	Packing Assembly, Consists of (1 each) Items 12, 13, 14, 15 & 16

**FIGURE 11
WATER PUMP PARTS LIST
DOMINATOR**



**FIGURE 11
WATER PUMP PARTS LIST
DOMINATOR**

ITEM	PART NO.	DESCRIPTION	QTY
1	7.954-712.094101	Pump Head	1
2	7.959-932.060001	Screws	8
3	7.959-670.200001	Washers	8
4	7.959-038.410001	O Rings	6
5	7.953-620.036601	Valve Seats	6
6	7.953-620.017601	Valve Plates	6
7	7.959-473.760001	Springs	6
8	7.953-620.051001	Valve Guides	6
9	7.959-038.470001	O Rings	6
10	7.959-822.200001	Caps	6
11	7.953-670.320101	Valve Assembly	6
12	7.959-930.390001	Screws	8
13	7.954-715.052201	Crankcase Closed Cover	1
14	7.959-039.130001	O Rings	2
15	7.959-183.770001	Tapered Roller Bearings	2
16	7.959-016.250001	Oil Seals	3
17	7.959-091.260001	Bushings	3
18	7.954-701.042201	Crankcase	1
19	7.959-821.060001	Oil Dip Stick	1
20	7.954-721.198401	Cover Gasket	1
21	7.954-702.193501	Crankshaft	1
22	7.959-005.570001	Snap Rings	6
23	7.959-148.780001	Key	1
24	7.959-773.800001	Wrist Pins	3
25	7.954-705.035601	Piston Guides	3
26	7.954-703.000101	Connecting Rods	3
27	7.959-919.120001	Screws	5
28	7.954-716.042201	Crankcase Cover	1
29	7.959-759.680001	Oil Level Indicator	1
30	7.959-820.041001	Cap	1
31	7.959-035.850001	O Rings	4
32	7.959-309.900001	Screws	6
33	7.959-670.140001	Washers	6
34	7.959-672.860001	Washers	3
35	7.954-704.040901	Pistons	3
36	7.959-050.670001	Anti-extrusion Rings	3
37	7.959-672.800001	Washers	3
38	7.954-721.956601	Piston Screws	3
39	7.954-715.032201	Crankcase Open Cover	1
40	7.959-756.780001	Shims	2

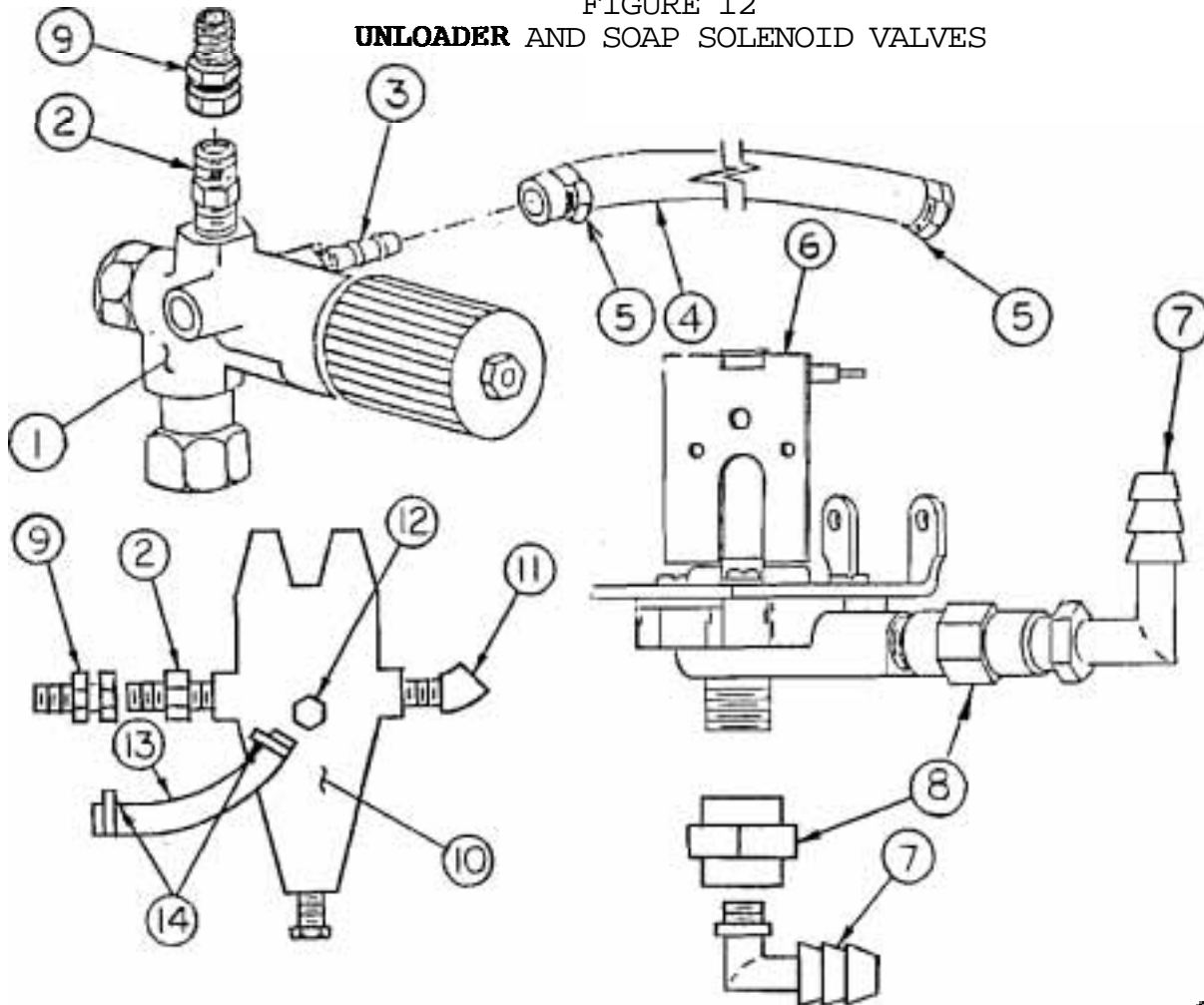
FIGURE 11
WATER PUMP PARTS LIST
DOMINATOR

ITEM	PART NO.	DESCRIPTION	QTY
41	7.959-016.480001	Oil Seals	1
42	7.959-036.160001	O Rings	3
43	7.954-708.057001	Packing Retainers	3
44	7.959-027.050001	Packings	6
45	7.954-710.005101	Head Rings	6
46	7.954-721.667001	Intermediate Rings	3
47	7.959-051.820001	"Long Life" Rings	3
51	7.959-821.760001	Cap	1
52	7.959-675.140001	Washer	1
53	7.959-821.000001	Cap	1
54	7.959-673.800001	Washer	1
56	7.951-405.000001	Pump, Complete	1

REPAIR KIT - **DOMINATOR**

PART NO.	DESCRIPTION
7.954-100.000001	Valve Assembly, Consists of (3 each) Items 4, 5, 6, 7 & 8
7.954-201.000001	Piston Oil Seal, Consists of (3) Item 16
7.954-300.000001	Crankcase Oil Seal, Consists of (2) Item 41
7.954-400.000001	Valve Cap Assembly, Consists of (6 each) Items 9 and 10
7.954-600.000001	Piston Retainer, Consists of (3 each) Items 31, 36, 37 & 38
7.954-700.000001	Head Ring, Consists of (6) Item 45
7.954-800.000001	Packing, Consists of (6) Item 44
7.954-900.000001	Intermediate Ring, Consists of (3 each) Items 46 & 47
7.954-101.000001	Packing Retainer, Consists of (3 each) Items 42 & 43
7.954-280.000001	Packing Assembly, Consists of (1 each)

FIGURE 12
UNLOADER AND SOAP SOLENOID VALVES



ITEM	PART NO.	DESCRIPTION	QTY
1	1.387-205.000001	Valve, Unloader (INVADER)	1
2	1.054-905.000001	Nipple, 3/8" Hex N.P.T. (Brass)	1
3	2.318-000.000001	Spud, 1/4" P x 3/8" H (Street)	1
4	9.999-362.500001	Hose, 3/8" Nylon Reinf. 18" Long	1
5	1.075-050.000001	Clamp, Nylon Hose	2
6	5.015-050.000001	Solenoid, Soap Valve, 220 VAC (FEARSOME FOUR, FAST FIVE, INVADER)	1
7	7.332-605.000001	Spud, 1/4" P x 1/4" H x 90 deg.	1
8	1.054-105.000001	Coupling, 1/4" (Brass)	1
9	1.060-405.000001	Swivel, Female 3/8"	1
10	7.954-710.000001	Valve, Unloader (DOMINATOR)	1
11	8.741.002.000001	Elbow, . 3/8" 45 degrees Forged	1
12	7.332-050.000001	Spud, Brass 3/8" P x 1/2" H Street (DOMINATOR)	1
13	9.999-366.000001	Hose, 1/2" Nylon Reinf. 18" Lg (DOMINATOR)	1
14	6.970-500.000001	Clamp, Hose (DOMINATOR)	1

FIGURE 13
ACCESSORIES AND OPTIONS

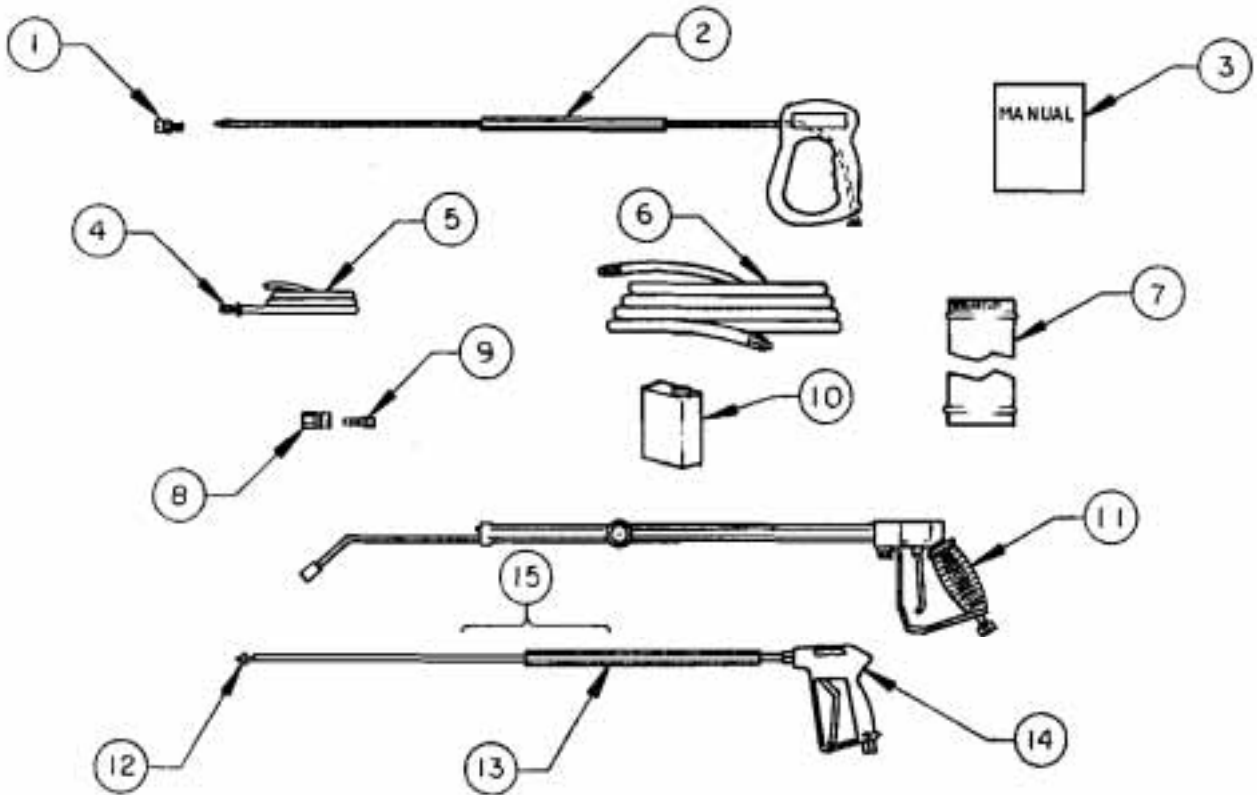
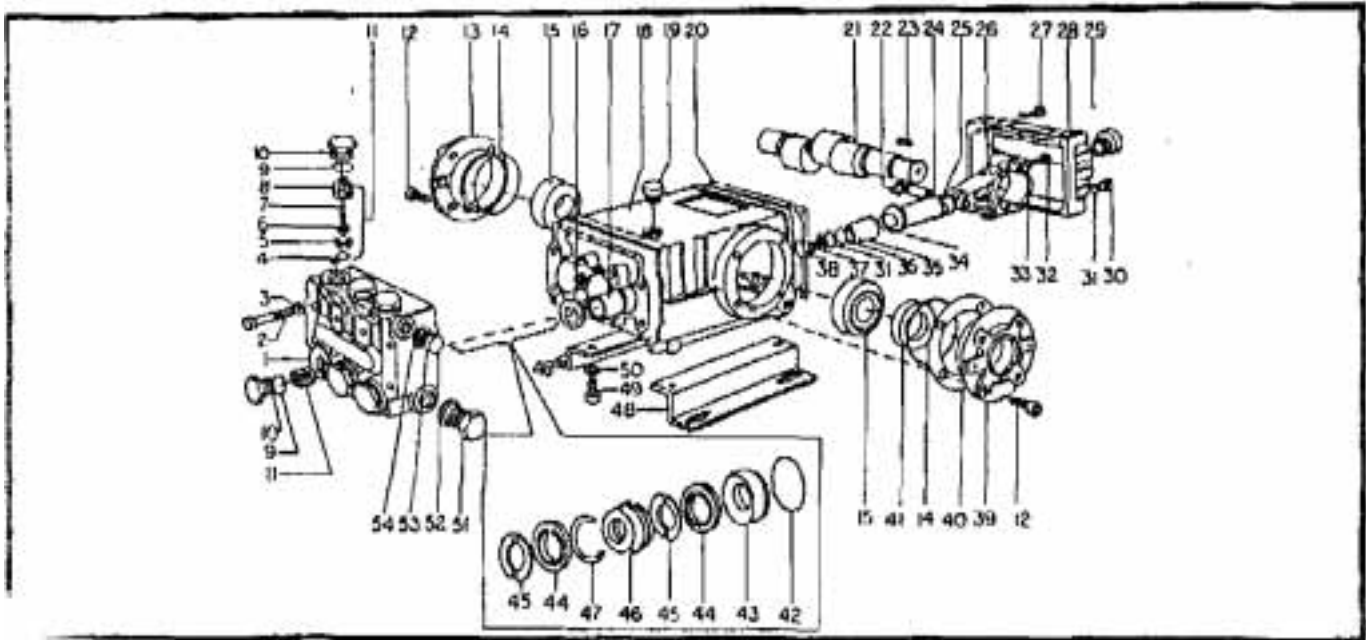


FIGURE 13
ACCESSORIES AND OPTIONS

ITEM	PART NO.	DESCRIPTION
1	6.496-000.000001	Nozzle (INVADER)*
	6.498-000.000001	Nozzle (FEARSOME FOUR)*
	6.498-500.000001	Nozzle (FAST FIVE)*
	6.494-500.000001	Nozzle (DOMINATOR)*
2	2.349-190.500001	Cleaning Gun, Complete Less Nozzle
3	1.761-010.000001	Instruction Manual
4	5.880-500.000001	Valve, Foot 1/4" C/W Strainer (FEARSOME FOUR, INVADER)
5	1.188-403.000001	Tubing, 1/2" x 10 ft., Soap Supply
6	2.558-301.000001	Hose, Hi-Pressure, 3/8" x 40' (FEARSOME FOUR, FAST FIVE)
	2.558-401.000001	Hose, Hi-Pressure, 3/8" x 40' (INVADER)
	2.558-130.100001	Hose, Hi-Pressure, 3/8" x 40' (DOMINATOR)
7	2.099-000.000001	Stack, Vent 7" Dia. x 30"
8	5.231-050.000001	Quick Disconnect, 3/8" Male, Steel (Optional)
9	5.232-050.000001	Quick Disconnect, 3/8" Female, Brass (Optional)
	5.236-050.000001	Quick Disconnect, 1/2" Male, Steel (Optional)
10	1.002-050.000001	Desooter, Liquid (Pint)
	5.247-050.000001	Quick Disconnect, 1/2" Female, Brass (Optional)
11	2.349-210.500001	Cleaning Gun, Dump, Less Nozzle (Optional)
	1.002-105.000001	Desooter, Liquid (Case, 12 Pints)
12	1.054-105.000001	Coupling, 1/4" Brass (Item 15 Only)
13	2.349-220.500001	Extension, Gun (Item 15 Only)
14	1.382-405.000001	Handle, Gun (Item 15 Only)
15	2.349-230.100001	Cleaning Gun, Nozzle Control, Less Nozzle

* NOTE: Nozzles available in 0°, 15°, 25° and 40° (Specify).

PUMP ASSEMBLY (3-0011 & 3-0012) EXPLODED VIEW



PUMP ASSEMBLY (3-0011 & 3-0012) PARTS LISTING

Ref. No.	Description	Part No.	Ref. No.	Description	Pan NO.
1	Pump head	46-0061	31	O-ring	25-0014-3
2	Screw	27-8185	32	Screw	27-8435
3	Washer	28-0210	33	Washer	29-0154
4	O-ring	25-0013	34	Washer	46-0148
5	(Not available separately. Must order complete Valve assembly, Item 11, or Valve kit #852-0008.)		35	Plunger	46-0052-3
6			36	Anti-extrusion ring	46-0109-3
7			37	Washer	28-0400-3
8			38	Piston screw	46-0069
9	O-ring	25-0012	39	Crankcase open cover	48-0062
10	Cap	39-0021	40	Shim	4-6-1-1-3
11	Valve assembly (Includes items 4-8)	22-0056	41	Oil seal	26-0049
12	Screw	27-8431	42	O-ring	25-0015
13	Crankcase closed cover	46-0063	43	Female adaptor	46-0057
14	O-ring	25-0013	44	V-packing	26-0098-6
15	Tapered roller bearing	48-0012	45	Male adaptor	46-0059-6
16	Oil seal	26-0047	46	Intermediate ring	46-0067-3
17	Bushing	9-0029	47	"Long life ring"	46-0111-3
18	Crankcase	46-0047	48	Pump rails	46-0068
19	Oil dipstick	46-0144	49	Screw	27-R471
20	Cover gasket	28-0070	50	Washer	29-0055
21	Crankshaft	46-0050	51	Cap	39-0019
22	Retaining ring	46-0103	52	Washer	28-0601
23	Key	43-0028	53	Cap	39-0018
24	Piston pin	43-0032	54	Washer	28-0600
25	Piston rod	46-0054			
26	Connecting rod assembly	46-0051			
27	Screw	27-8404			
28	Crankcase cover	46-0065			
29	Oil level indicator	4C-0114			
30	Cap	39-0017			
				Pump complete (Right hand shaft)	34011
				Pump complete (Left hand shaft)	3-0012
				Valve kit (Includes 8 ea. Items 9 & 11)	852-0008
				Packing kit (Includes 6 ea. Items 44 & 45.	
				3 ea. Items 42 & 47)	852-0010