

Spare parts list
(5.972-350.0) Spare parts list AB 84 CUL

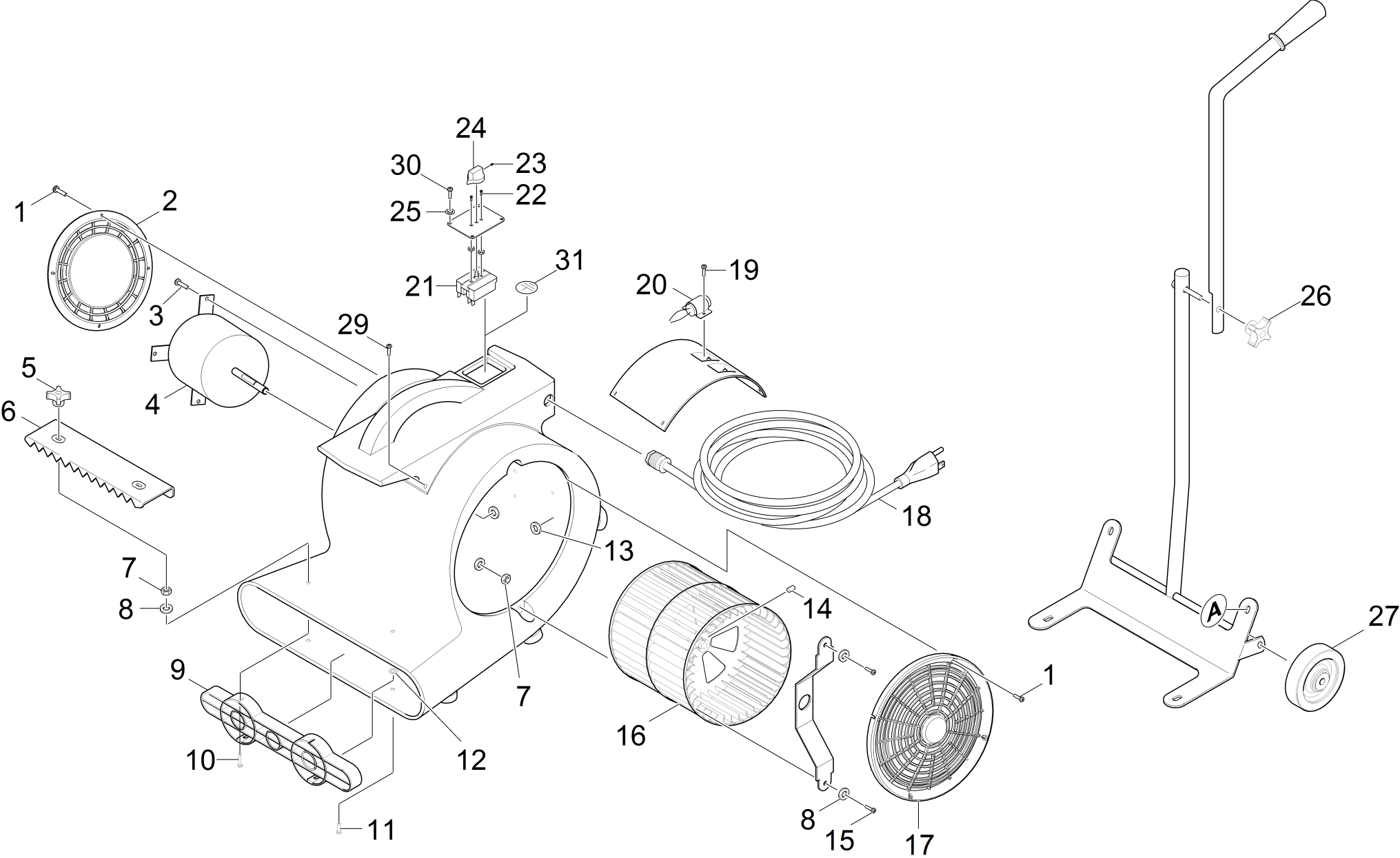
Table of contents

Spare parts list AB 84 CUL (5.972-350.0)..... 6
10 Individual parts..... 7

Spare parts list AB 84 CUL (5.972-350.0)

Pos	Name	Qty.	Unit
10	Individual parts	1.000	ST

10 Individual parts



10 Individual parts

ET/VT (spare/wear parts)	Pos	Material #	Name	Qty.	Unit	var. information
	1	8.613-675.0	SCREW, M4-.7 X 15 PNHMS	8.000	ST	
	2	8.621-470.0	9" BLOWER GRILL	1.000	ST	
	3	8.613-677.0	SCREW, M6-1 X 16 FLHMS BLKOX	4.000	ST	
	4	8.624-713.0	MOTOR, 115V 3SPD 1/2HP	1.000	ST	
	5	8.637-172.0	KNOB, CARPET CLAMP, YLW	2.000	ST	
	6	8.621-676.0	CLAMP, CARPET AB	2.000	ST	
	7	8.627-155.0	NUT, M6X1 HEX NYLOCK STL ZNPLT	6.000	ST	
X	8	8.613-734.0	WASHER, M6 FLT BLK	4.000	ST	
	9	8.621-842.0	GUARD, FRONT AB	1.000	ST	
	10	8.613-673.0	SCREW, M6-1 X 40 PNHMS BLKOX	2.000	ST	
	11	8.613-654.0	RIVET, M4 X 18GL	2.000	ST	
	12	8.613-739.0	Washer M4 RIVET BACKUP	7.000	ST	
X-X	13	8.622-585.0	WASHER, M3 FLT SS ISO7089	4.000	ST	
	14	8.613-683.0	SET SCR, M8 X 8MM CUP PT.	1.000	ST	
	15	8.613-674.0	SCREW, M6-1 X 15 PNHMS BLKOX	2.000	ST	
X	16	8.621-784.0	FAN, SQUIRREL CAGE AB	1.000	ST	
	17	8.621-469.0	10" BLOWER GRILL	1.000	ST	
	18	8.621-702.0	CORD ASSEMBLY, 14X3 SJTX25'AB	1.000	ST	
	19	8.613-654.0	RIVET, M4 X 18GL	2.000	ST	
X-X	20	8.621-662.0	CAPACITOR, AB	1.000	ST	120V
	20	8.637-561.0	CAPACITOR, RUN, 15uF, 450VAC	1.000	ST	220V-230V
X-X	21	8.622-509.0	Switch AB	1.000	ST	
	22		Stockpiling discontinued	2.000	ST	
	23	8.613-684.0	SET SCR, M3-.5 X 8MM	1.000	ST	
	24	8.637-171.0	KNOB, SWITCH, YLW	1.000	ST	

10 Individual parts

ET/VT (spare/wear parts)	Pos	Material #	Name	Qty.	Unit	var. information
	25	8.622-575.0	WASHER, M4 INTLK STL BLK ZNPLT	4.000	ST	
	26	8.637-170.0	KNOB, HANDLE LOCK, YLW	1.000	ST	
X	27	8.622-602.0	Wheel 5D X 1.25 X 13MMID GRY	2.000	ST	
	29	8.629-666.0	RIVET, M4 X 18GL	4.000	ST	
	30	8.637-218.0	SCREW, M4-.7 X 10 PNHSMS BLK	4.000	ST	
X	31	6.643-145.0	Label earthing	1.000	ST	