

Operating Instructions (ENG)

**MODEL: 115 V**



1/2 HP MODELS ONLY

---

***Read instructions before operating the machine.***

## **MACHINE DATA LOG/OVERVIEW**

**MODEL** \_\_\_\_\_

**DATE OF PURCHASE** \_\_\_\_\_

**SERIAL NUMBER** \_\_\_\_\_

**SALES REPRESENTATIVE #** \_\_\_\_\_

**DEALER NAME** \_\_\_\_\_

**OPERATIONS GUIDE NUMBER** \_\_\_\_\_

**PUBLISHED** \_\_\_\_\_

### **YOUR DEALER**

**Name:** \_\_\_\_\_

**Address:** \_\_\_\_\_

**Phone Number:** \_\_\_\_\_

## HOW TO USE THIS MANUAL

This manual contains the following sections:

- HOW TO USE THIS MANUAL
- SAFETY
- OPERATIONS
- MAINTENANCE
- PARTS LIST

The HOW TO USE THIS MANUAL section will tell you how to find important information for ordering correct repair parts.

Parts may be ordered from authorized dealers. When placing an order for parts, the machine model and machine serial number are important. Refer to the MACHINE DATA box which is filled out during the installation of your machine. The MACHINE DATA box is located on the inside of the front cover of this manual.

|                               |
|-------------------------------|
| MODEL _____                   |
| DATE OF PURCHASE _____        |
| SERIAL NUMBER _____           |
| SALES REPRESENTATIVE # _____  |
| DEALER NAME _____             |
| OPERATIONS GUIDE NUMBER _____ |
| PUBLISHED _____               |

The model and serial number of your machine is on the back of the machine.

The SAFETY section contains important information regarding hazard or unsafe practices of the machine. Levels of hazards is identified that could result in product or personal injury, or severe injury resulting in death.

The OPERATIONS section is to familiarize the operator with the operation and function of the machine.

The MAINTENANCE section contains preventive maintenance to keep the machine and its components in good working condition. They are listed in this general order:

- Power cord/switch

The PARTS LIST section contains assembled parts illustrations and corresponding parts list. The parts lists include a number of columns of information:

- **REF** – column refers to the reference number on the parts illustration.
- **PART NO.** – column lists the part number for the part.
- **QTY** – column lists the quantity of the part used in that area of the machine.
- **DESCRIPTION** – column is a brief description of the part.
- **SERIAL NO. FROM** – column indicates the first machine the part number is applicable to. When the machine design has changed, this column will indicate serial number of applicable machine. The main illustration shows the most current design of the machine. The boxed illustrations show older designs.
- **NOTES** – column for information not noted by the other columns.

*NOTE: If a service or option kit is installed on your machine, be sure to keep the KIT INSTRUCTIONS which came with the kit. It contains replacement parts numbers needed for ordering future parts.*

# TABLE OF CONTENTS

Machine Data Log/Overview.....2

## HOW TO USE THIS MANUAL

How to use this Manual. ....3  
Table of Contents .....4

## SAFETY

Important Safety Instructions .....5  
Hazard Intensity Level. ....6  
Grounding Instructions.....7

## OPERATION

Set Up.....8  
On/Off Procedure.....8

## MAINTENANCE

Power Cord.....8  
Dust in Motor Windings.....8  
Lubricating Motor Sleeve Bearings.....8  
Fan Removal. ....8  
Power Cord/Capacitor.. ....8  
Motor Removal. ....8  
Wiring Diagram... ....9

## GROUP PARTS LIST

Body Assembly..... 10  
Handle & Wheels..... 12

# IMPORTANT SAFETY INSTRUCTIONS

When using an electrical appliance, basic precaution must always be followed, including the following:

READ ALL INSTRUCTIONS BEFORE USING THIS MACHINE.



## **WARNING:**

To reduce the risk of fire, electric shock, or injury:

**Use only** indoors. Do not use outdoors or expose to rain.

**Use only** as described in this manual. Use only manufacturer's recommended components and attachments.

If the machine is **not working properly**, has been dropped, damaged, left outdoors, or dropped into water, return it to an authorized service center.

**Do not** operate the machine with any openings blocked. Keep openings free of debris that may reduce airflow.

**Machine can cause a fire** when operating near flammable vapors or materials. Do not operate this machine near flammable fluids, dust or vapors.

**This machine is suitable for commercial use, for example in hotels, schools, hospitals, factories, shops and offices for more than normal housekeeping purposes.**

Maintenance and repairs **must be done** by qualified personnel.

**During operation**, attention shall be paid to other persons, especially children.

**When leaving unattended**, secure against unintentional movement.

**The machine shall only** be operated by instructed and authorized persons.

**When leaving unattended**, switch off or lock the main power switch to prevent unauthorized use.

**Do not** handle the plug or machine with wet hands.

**Do not** unplug machine by pulling on cord. To unplug, grasp the plug, not the cord.

**Do not** use with damaged cord or plug. Follow all instructions in this manual concerning grounding the machine.

**Do not** pull or carry by cord, use cord as a handle, close a door on cord, or pull cord around sharp edges or corners.

**Do not** pull/run machine over cord. **Keep** cord away from heated surfaces.

Connect to a **properly** grounded outlet. See Grounding Instructions.

**Use only** on GFCI protected receptacles.

**Do not** use this fan with any solid-state speed control device.

## SAVE THESE INSTRUCTIONS

# **HAZARD INTENSITY LEVEL**

The following symbols are used throughout this guide as indicated in their descriptions:

## **HAZARD INTENSITY LEVEL**

There are three levels of hazard intensity identified by signal words -**WARNING** and **CAUTION** and **FOR SAFETY**. The level of hazard intensity is determined by the following definitions:

### **⚠ WARNING:**

**WARNING** - Hazards or unsafe practices which COULD result in severe personal injury or death.

### **⚠ CAUTION:**

**CAUTION** - Hazards or unsafe practices which could result in minor personal injury or product or property damage.

### ***FOR SAFETY: To Identify actions which must be followed for safe operation of equipment.***

Report machine damage or faulty operation immediately. Do not use the machine if it is not in proper operating condition. Following is information that signals some potentially dangerous conditions to the operator or the equipment. Read this information carefully. Know when these conditions can exist. Locate all safety devices on the machine. Please take the necessary steps to train the machine operating personnel.

### ***FOR SAFETY:***

**DO NOT OPERATE MACHINE:**

Unless Trained and Authorized.

Unless Operation Guide is Read and understood.

In Flammable or Explosive areas.

In areas with possible falling objects.

### ***WHEN SERVICING MACHINE:***

**Avoid moving parts. Do not wear loose clothing; jackets, shirts, or sleeves when working on the machine. Use Windsor approved replacement parts.**

## 115V GROUNDING INSTRUCTIONS

**THIS PRODUCT IS FOR COMMERCIAL USE ONLY.**

### ELECTRICAL:

In the USA this machine operates on a standard 15 amp 115V, 60 hz, A.C. power circuit . The amp, hertz, and voltage are listed on the data label found on each machine. Using voltages above or below those indicated on the data label will cause serious damage to the motors.

### EXTENSION CORDS:

If an extension cord is used, the wire size must be at least one size larger than the power cord on the machine, and must be limited to 50 feet (15.5m) in length.

### GROUNDING INSTRUCTIONS:

This appliance must be grounded. If it should malfunction or break down, grounding provides a path of least resistance for electric current to reduce the risk of electric shock. This appliance is equipped with a cord having an equipment-grounding conductor and grounding plug. The plug must be inserted into an appropriate outlet that is properly installed and grounded in accordance with all local codes and ordinances.

This appliance is for use on a nominal 120-volt circuit, and has a grounded plug that looks like the plug in "Fig. A". A temporary adaptor that looks like the adaptor in "Fig. C" may be used to connect this plug to a 2-pole receptacle as shown in "Fig. B", if a properly grounded outlet is not available. The temporary adaptor should be used only until a properly grounded outlet (Fig. A) can be installed by a qualified electrician. The green colored rigid ear, lug, or the like extending from the adaptor must be connected to a permanent ground such as a properly grounded outlet box cover. Whenever the adaptor is used, it must be held in place by a metal screw.

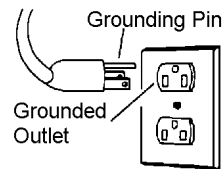


Fig. A

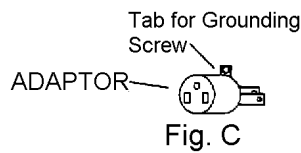


Fig. C

GROUNDING CONNECTION USING AN ADAPTOR

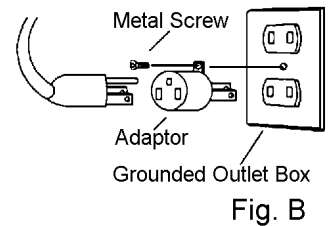


Fig. B

Note: Adaptors are not allowed in Canada.

### **⚠ WARNING:**

**Improper connection of the equipment-grounding conductor can result in a risk of electric shock. Check with a qualified electrician or service person if you are in doubt as to whether the outlet is properly grounded. Do not modify the plug provided with the appliance - if it will not fit the outlet, have a proper outlet installed by a qualified electrician. Use only GFCI protected receptacles.**

## **OPERATION & MAINTENANCE**

### **OPERATION**

1. Open the doors or windows if possible to aid in ventilation.
2. Ensure that the unit is turned off, plug the power cord into the outlet.
3. Turn the switch to the desired speed.
4. Turn the unit off before un-plugging the power cord from the outlet.

### **MAINTENANCE**

1. Frequently inspect power cord for frayed or damaged insulation.



**Remove machine power cord from electrical source before making any repairs or adjustments to machine.**

### **POWER CORD/SWITCH**

Power cord and switch can be serviced.

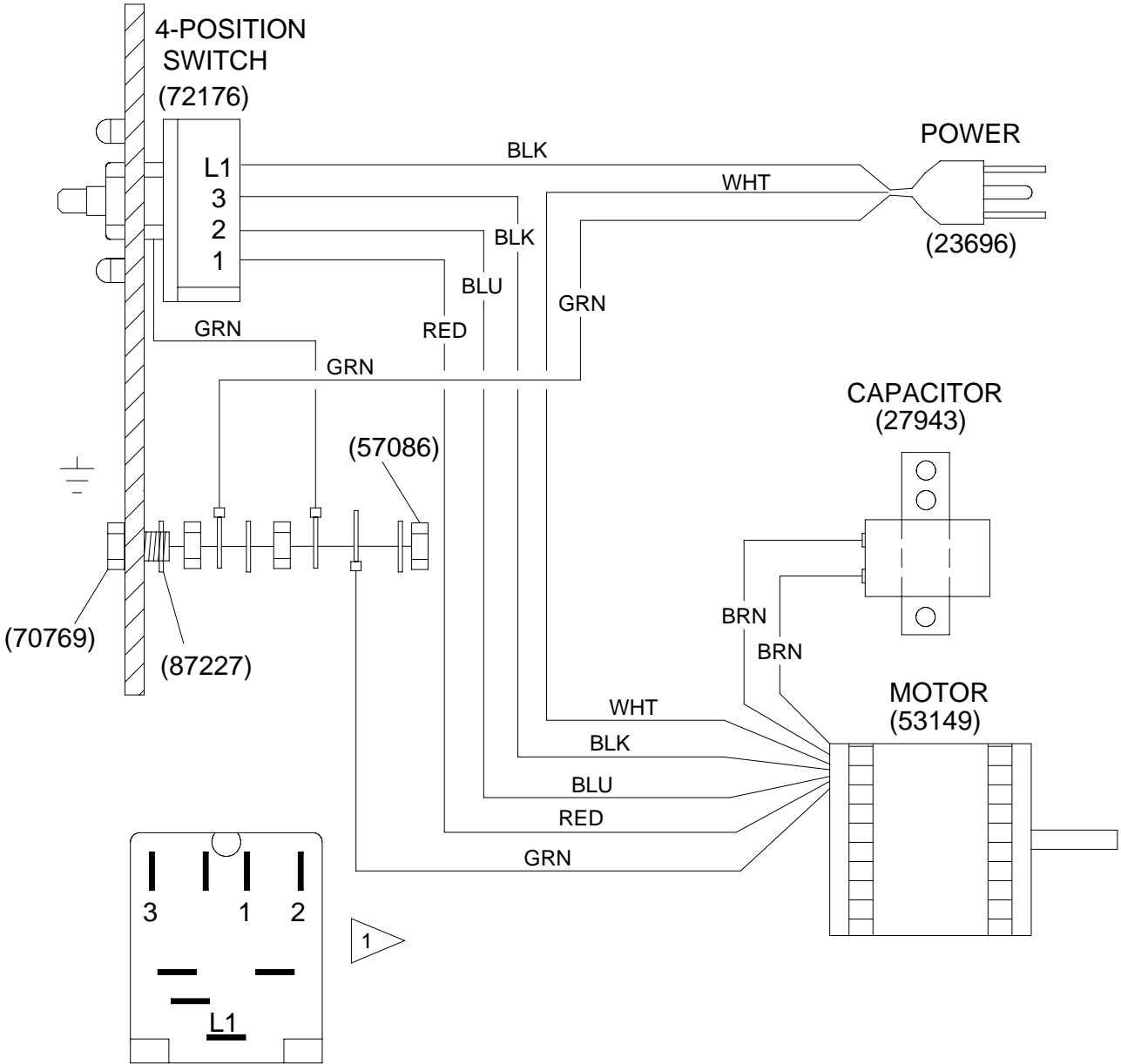
1. Remove the 4 screws holding switch down.
2. To replace switch unplug wires and replace switch. See wiring diagram.
3. To replace power cord see step 1.
4. Unplug wires, loosen strain relief and remove cord.
5. Replace power cord. See wiring diagram.

**CAUTION:** When reinstalling motor and fan, make sure the wires are positioned and secured so they will not touch fan during rotation.

**CAUTION:** When reinstalling electrical parts, refer to wiring diagram for correct connections



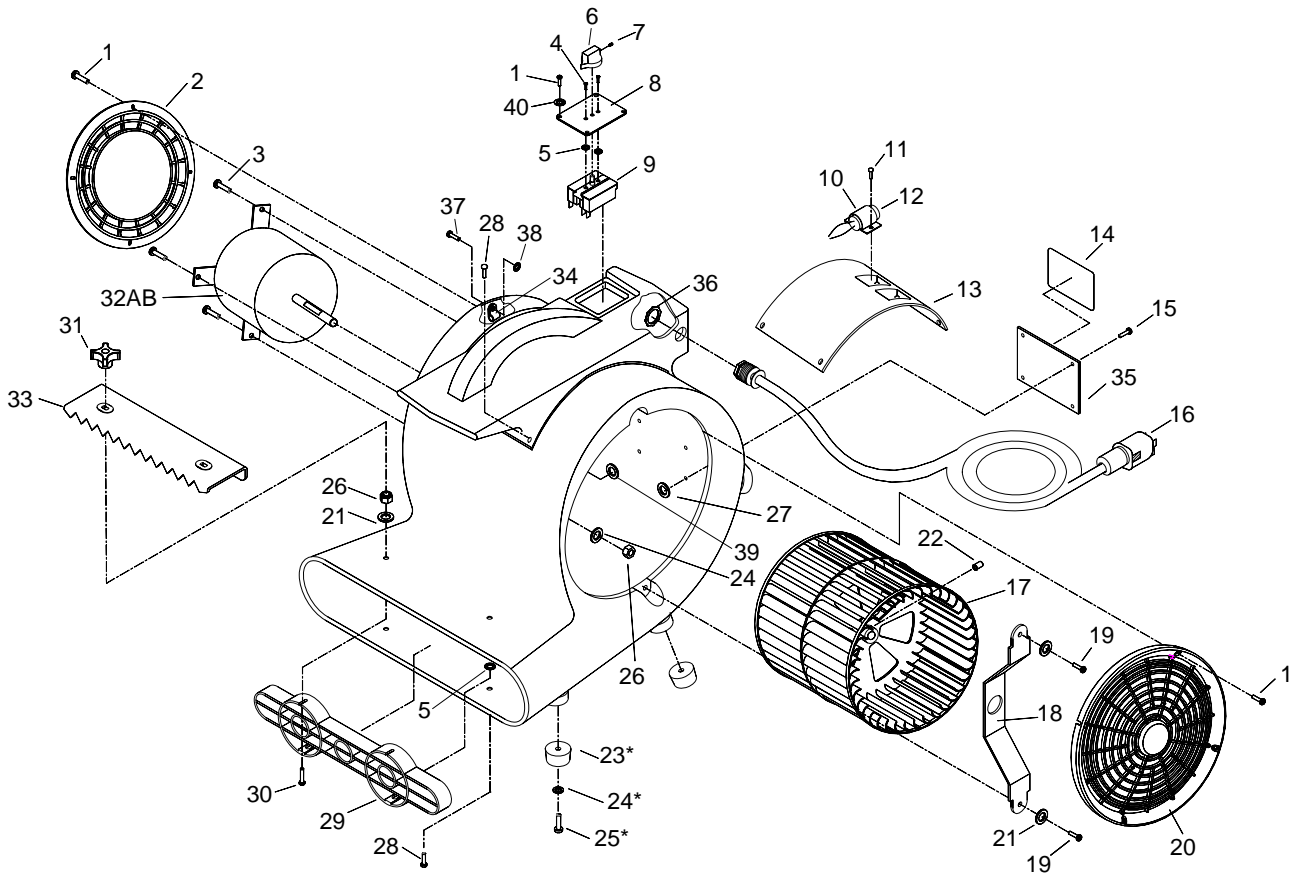
# WIRING DIAGRAM



REAR VIEW OF SWITCH

1 COVER UNUSED TERMINALS WITH FEMALE COUPLER (76029L).

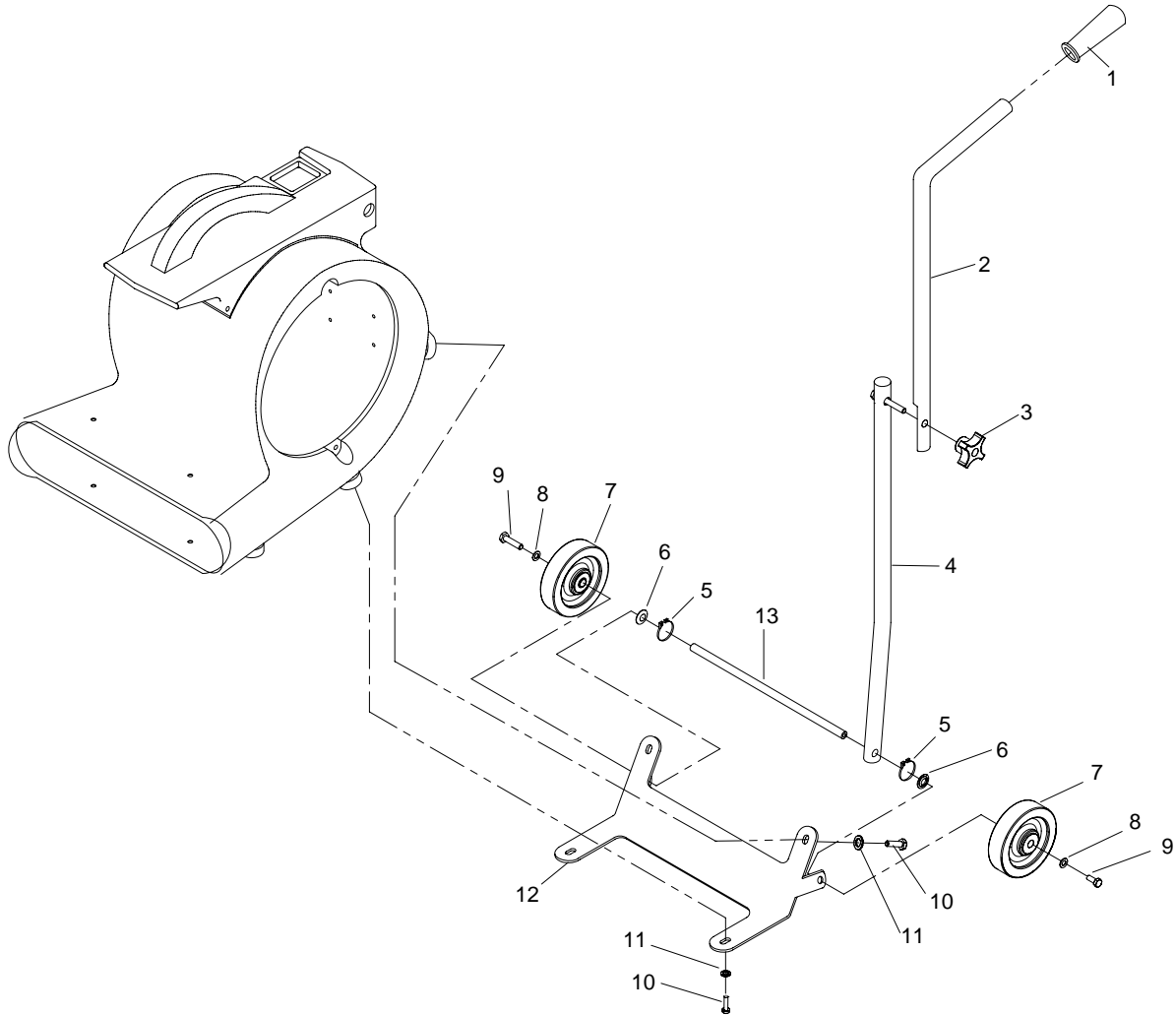
# AIR BLOWER BODY ASSEMBLY



## AIR BLOWER BODY ASSEMBLY

| REF | PART NO. | QTY | DESCRIPTION                     | SERIAL NO. | NOTES:                |
|-----|----------|-----|---------------------------------|------------|-----------------------|
| 1   | 70765    | 12  | SCR, M4 X 15MM PH SHEET METAL   |            |                       |
| 2   | 36210    | 1   | GUARD, 9" AB                    |            |                       |
| 3   | 70768    | 2   | SCR, M6-1 X 16MM FHMS BLK       |            |                       |
| 4   | 70246    | 2   | SCR, 8-32 X 1/4 PPHMS BLK       |            |                       |
| 5   | 87255    | 7   | WASHER, M4 RIVET BACKUP         |            |                       |
| 6   | 48084    | 1   | KNOB, SWITCH AB                 |            |                       |
| 7   | 70771    | 1   | SET SCR, M3 X 8MM X .5          |            |                       |
| 8   | 62928    | 1   | PLATE, SWITCH AB                |            |                       |
| 9   | 72176    | 1   | SWITCH, 3 SPEED ROTARY          |            |                       |
| 10  | 140474   | 1   | CLAMP, CAPACITOR                |            |                       |
| 11  | 67481    | 2   | RIVET, M4 X 14MM                |            |                       |
| 12  | 27943    | 1   | CAPACITOR                       |            |                       |
| 13  | 62936    | 1   | PLATE, INNER AB                 |            |                       |
| 14  | 50344    | 1   | LABEL, WARNING                  |            |                       |
| 15  | 67483    | 4   | RIVET, M3 X 12MM                |            |                       |
| 16  | 23696    | 1   | CORD, 14X3 SJT, AB              |            |                       |
| 17  | 34389    | 1   | FAN, SQUIRREL CAGE              |            |                       |
| 18  | 140467   | 1   | BRKT, MOTOR SHAFT AB            |            |                       |
| 19  | 70764    | 2   | SCR, M6-1 X 15 PPHMS PLTD BLK   |            |                       |
| 20  | 36211    | 1   | GUARD, 10" AB                   |            |                       |
| 21  | 87211    | 4   | WASHER, M6 FLAT BLK             |            |                       |
| 22  | 70770    | 1   | SET SCR, M8 X 8MM CUP POINT     |            |                       |
| 23  | 66352    | 4   | FOOT BLOWER                     |            | *FOR MODEL W/O HANDLE |
| 24  | 87218    | 8   | WASHER, M6 PLAT                 |            | *FOR MODEL W/O HANDLE |
| 25  | 70767    | 4   | SCR, M6-1 X 19MM PPHMS          |            | *FOR MODEL W/O HANDLE |
| 26  | 57220    | 6   | NUT, M6X1 HEX NYLOCK PLTD       |            |                       |
| 27  | 87226    | 4   | WASHER, M3 RIVET BACKUP         |            |                       |
| 28  | 67481    | 6   | RIVET, M4 X 14MM                |            |                       |
| 29  | 36212    | 1   | GUARD, FRONT AB                 |            |                       |
| 30  | 70763    | 2   | SCR, M6-1 X 40MM                |            |                       |
| 31  | 48085    | 2   | KNOB, CARPET CLAMP              |            |                       |
| 32A | 53149    | 1   | MOTOR, 115V 3SPD 1/2 HP         |            |                       |
| 32B | 53803    | 1   | MOTOR, 115V 3SPD 1 HP           |            |                       |
| 33  | 20100    | 1   | CLAMP, CARPET                   |            |                       |
| 34  | 20005    | 1   | CLAMP, 5/16 NYLON               |            |                       |
| 35  | 62214    | 1   | PLATE, WARNING LABEL            |            |                       |
| 36  | 87231    | 1   | WASHER, M18 STAR                |            |                       |
| 37  | 87484    | 1   | RIVET, M5 X 20                  |            |                       |
| 38  | 87230    | 1   | WASHER, M5 RIVET BACKUP         |            |                       |
| 39  | 87225    | 4   | WASHER, M4 RIVET BACKUP         |            |                       |
| 40  | 87239    | 4   | WASHER, M4 INT STAR BLK ZNC PLT |            |                       |

# AIR BLOWER HANDLE



## AIR BLOWER HANDLE

| REF | PART NO. | QTY | DESCRIPTION                    | SERIAL NO.<br>FROM | NOTES: |
|-----|----------|-----|--------------------------------|--------------------|--------|
| 1   | 36196    | 1   | GRIP, POLISHER HANDLE          |                    |        |
| 2   | 78486    | 1   | TUBE, HANDLE UPPER             |                    |        |
| 3   | 48087    | 1   | KNOB, HANDLE LOCK              |                    |        |
| 4   | 78485    | 1   | TUBE, HANDLE LOWER             |                    |        |
| 5   | 67469    | 2   | RING, 13MM EXTERNAL SNAP       |                    |        |
| 6   | 57276    | 2   | NUT, PUSH FLAT RD .51ID        |                    |        |
| 7   | 89206    | 2   | WHEEL, 5D X 1.25 X 13MM ID GRY |                    |        |
| 8   | 87054    | 2   | WASHER, M8 FLAT DIN125A PLT    |                    |        |
| 9   | 70262    | 2   | SCR, M8 X 20 HHMS PLTD         |                    |        |
| 10  | 70767    | 2   | SCR, M6 X 1 HEX NYLOCK PLTD    |                    |        |
| 11  | 87233    | 2   | WASHER, 20MM OD                |                    |        |
| 12  | 140495   | 1   | BRACKET, WHEEL, BLOWER         |                    |        |
| 13  | 03118    | 1   | AXLE, WHEEL, BLOWER            |                    |        |