

CYLINDER HEAD 9001-6930 ASSEMBLY



1) Triangular Cylinder Head #20 (Part # 9001-6930)
Insert white Valve Seat #5 in center of Cylinder Head. Long stem side facing down, short stem side facing up.



<2) After placing Valve #5 Seat into Cylinder Head, place short spring on top of short stem



>3) This is how the Valve Seat & Spring should look.



<4) This is how all three Valve Seats should look.



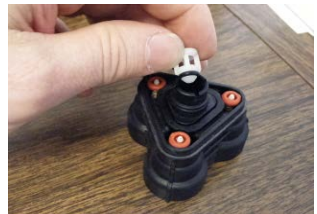
>5) This is how all three Valve Seats & Springs should look.



<6) Seal the Valve Seats & Springs in the Cylinder Head with the Joining Piece #38.



>7) This is how the Joining Piece looks when inserted into the Cylinder Head.



<8) Insert White Cage (Valve Pin) #35 with o-ring end into Joining Piece, open end facing out.



>9) This is how the Cage looks when inserted into Joining Piece. Next insert the Spring #34 into Cage.



<10) This is how the Spring #34 looks inserted into the Cage.



>11) Place the Triangular Gasket (Form Seal) #24 around the outer lip of the Cylinder Head

CYLINDER HEAD 9001-6930 ASSEMBLY

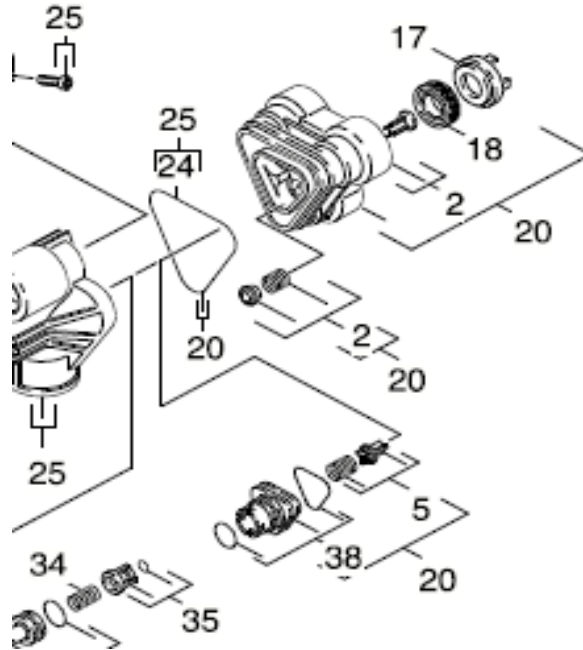


<12) Stretch the Triangular Gasket over the Cylinder Head for proper placement.

>13) This is how the Triangular Gasket should look after placement.



Now the Cylinder Head is ready for sealing to the Control Head.



Position	PN	Description	QTY
#20	9001-6930	Cylinder Head (Used with Control Head 9001-6920)	1
#2	9001-1100	Valve Seats with Springs (Set of 3)	1
#5	9001-1490	Valve Seats with Springs (Set of 3)	1
#17		Supporting Disk (Included w/9001-6920)	3
#18	6362-8750	Grooved Ring (Water Seal)	3
#24	9081-4220	Triangular Gasket (Form Seal)	1
#34	9047-0260	Spring	1
#35	9001-1070	Cage with O-Ring Complete	1
#38	9001-1060	Joining Piece with O-Rings	1

R J Bowers Distributors

2003 Harrison Ave
Rockford IL 61104

E-mail: service@rjbowers.com

Web: www.rjbowers.com

(815) 399-8839 (800) 383-6584