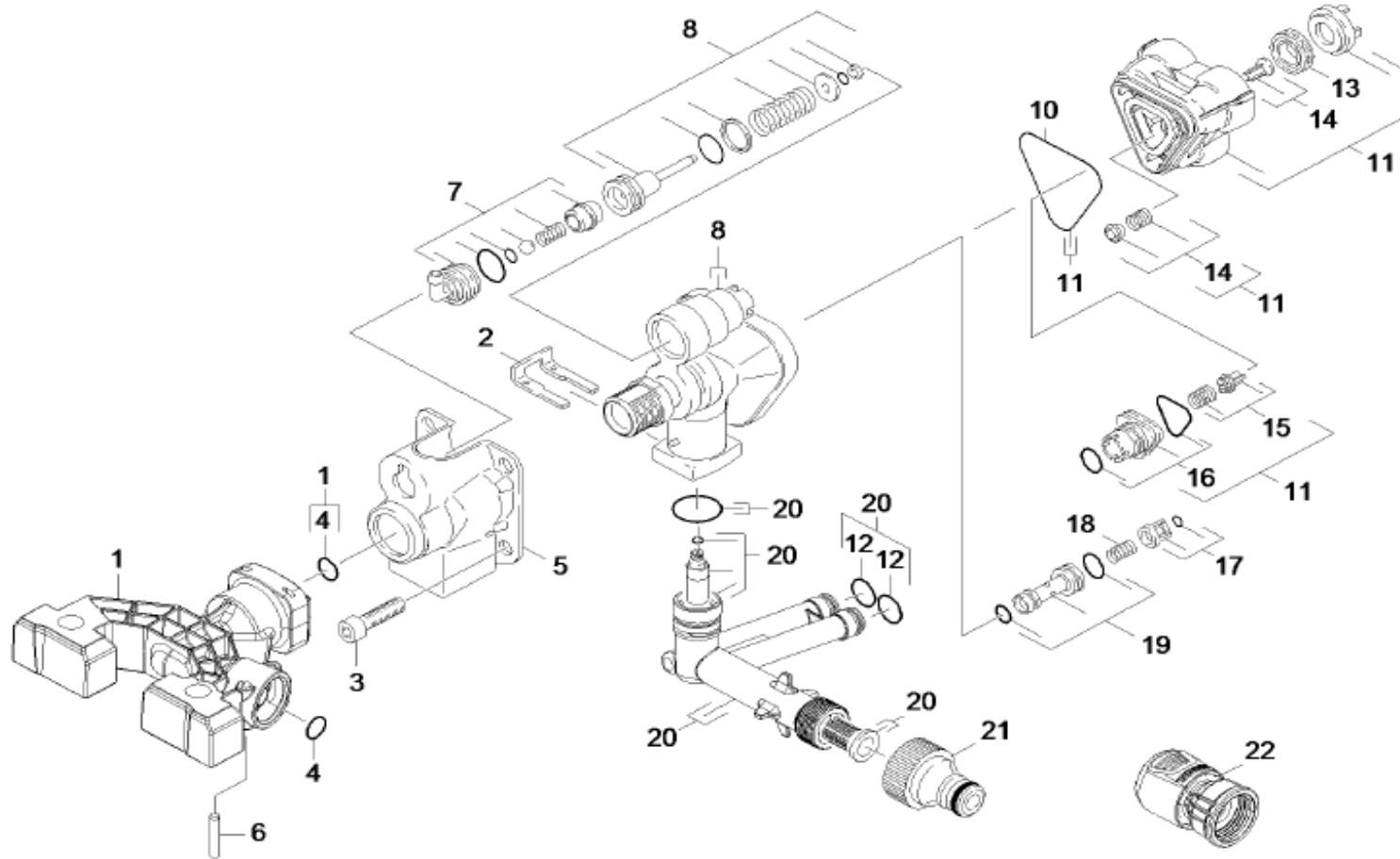


CONTROL HEAD (9.001-692.0) REPLACEMENT X Series models (water cooled motors)



Parts that need to be **removed** from the old pump (# 8) and **reinstalled** in new one (9.001-692.0)

7: Detergent Inlet Assembly (use pliers, twist and pull straight out)

#3: Need 6mm Allen Wrench to remove.

#19: Nozzle Insert w/2 o-rings

#18: Spring

#17: Cage w/o-ring on top

NO #: Check Valve inserted in bottom of #8 (part of Water Inlet Manifold #20)

#4: O-Ring for HP Outlet Manifold/Bracket (#1). Confirm when removing o-ring, may be inside #1 or 8

R J Bowers Distributors

2003 Harrison Ave

Rockford IL 61104

E-mail: service@rjbowers.com

Web: www.rjbowers.com

(815) 399-8839 (800) 383-6584