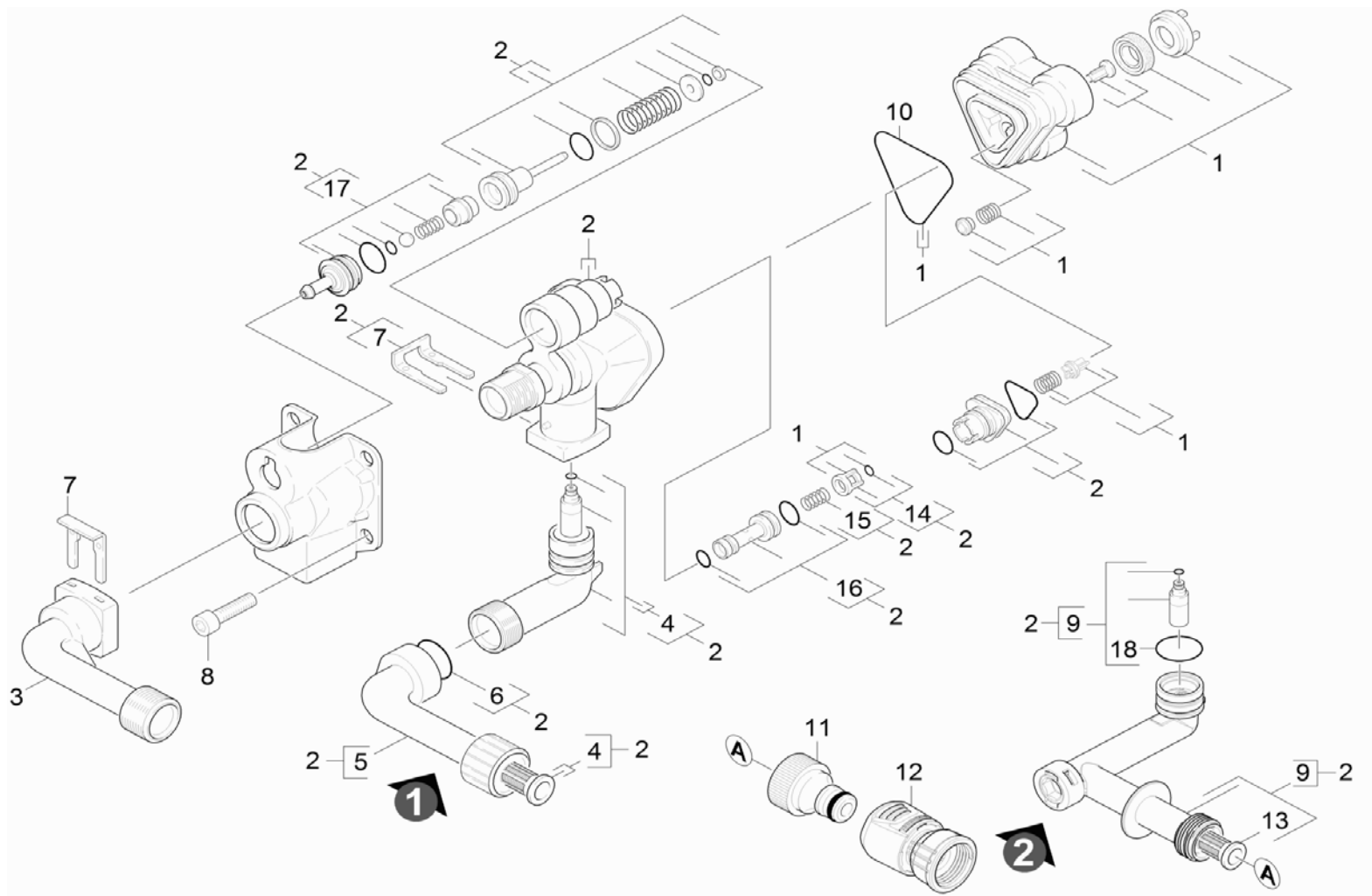


CONTROL HEAD (9.001-692.0) REPLACEMENT



Parts that need to be **removed** from the old pump (# 2) and **reinstalled** in new one (9.001-692.0)

#17: Detergent Inlet Assembly (use pliers and pull straight out)

#16: Nozzle Insert w/2 o-rings

#15: Spring

#14: Cage w/o-ring on top

NO #: Check Valve inserted in bottom of #2 (part of Water Inlet Elbow #4 or #9)

O-Ring (not shown) for HP Outlet Elbow (#3). Confirm when removing o-ring, may be inside #3 or #2

#8: Need 6mm Allen Wrench to remove.

R J Bowers Distributors

2003 Harrison Ave

Rockford IL 61104

E-mail: service@rjbowers.com

Web: www.rjbowers.com

(815) 399-8839 (800) 383-6584