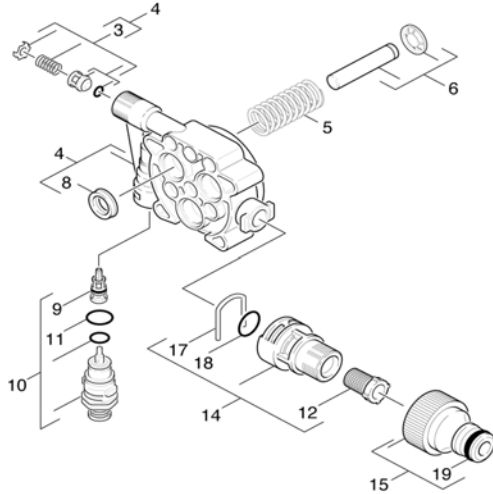
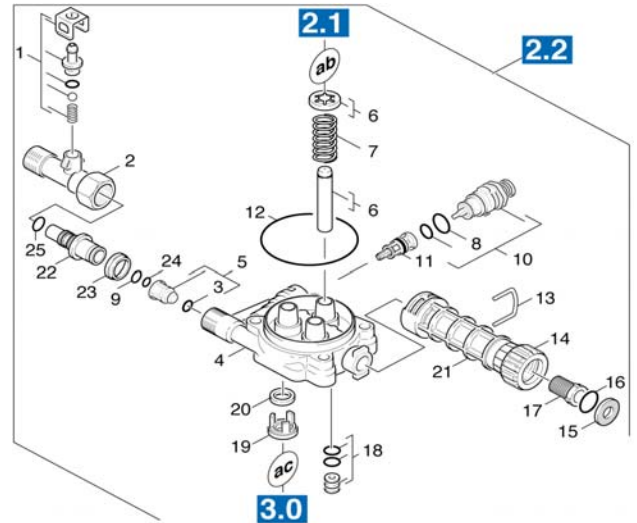


9001-1350 BYPASS VALVE INSTRUCTIONS



#10 (including #'s 9 & 11)

OR



#10 (including #'s 8 & 11)



1

2

3

Lubricate all o-rings with silicone grease or a white plumbers lithiom grease; anything that is **not petroleum based**.

- 1) This end goes into the machine first.
- 2) The rounded end "fits on" the curved end of the seat.
- 3) Turn the plastic part slightly , pushing down & turning 1/4 to 1/2 clockwise until ears catch.

R.J. BOWERS DISTRIBUTORS INC.

2003 Harrison Av
Rockford, IL 61104

WEB: www.rjbowers.com

800-383-6584

FAX: 815-399-8839

e-mail: parts@rjbowers.com