

# TRIGGER GUN ASSEMBLY FOR 4775-3310

PICTURE #1



Remove clear plastic shipping plug to expose spring

PICTURE #2



PICTURE #3



PICTURE #4



## **R J Bowers Distributors**

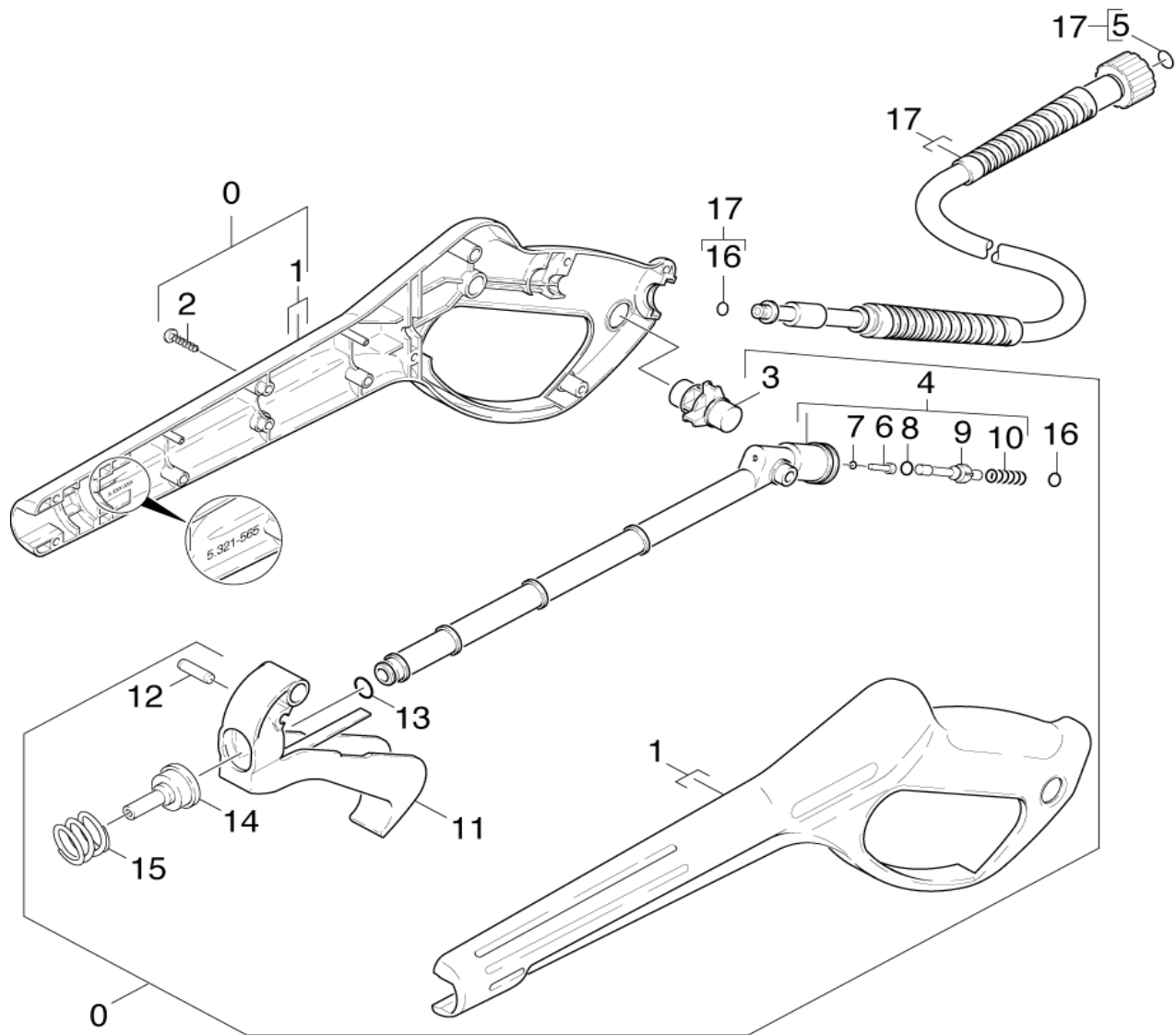
2003 Harrison Ave  
Rockford IL 61104

E-mail: [service@rjbowers.com](mailto:service@rjbowers.com)

Web: [www.rjbowers.com](http://www.rjbowers.com)

(815) 399-8839 (800) 383-6584

# TRIGGER GUN ASSEMBLY FOR 4775-3310



Position	PN	Description	Quantity
0	4775-3310	Trigger Gun - Complete	1
1	5321-5650	Trigger Gun housing	1
2	6303-1220	Screw M4.2x13 Torx T15	9
3	5481-1890	Lever	1
4	4427-1890	Manifold	1
5	2880-2960	O-Ring Seal 10.0x2.0 (5 Pack)	1
6	9039-0320	Pin	1
7	7362-5020	O-Ring Seal 2.8x1.6	1
8	6363-0050	O-Ring Seal 4.2x1.9	1
9	5584-1120	Valve Pin	1
10	5332-1570	Helical Spring	1
11	4481-1050	Lever	1
12	5314-0820	Pin	1
13	6362-9580	O-Ring Seal 9.0x2.0	1
14	5031-5250	Nozzle - Moulded Part	1
15	5332-3490	Pressure Spring	1
16	6362-4980	O-Ring Seal 6.75x1.78	1
17	6391-5710	High pressure Hose	1

**R J Bowers Distributors**  
 2003 Harrison Ave  
 Rockford IL 61104  
 E-mail: [service@rjbowers.com](mailto:service@rjbowers.com)  
 Web: [www.rjbowers.com](http://www.rjbowers.com)  
 (815) 399-8839 (800) 383-6584