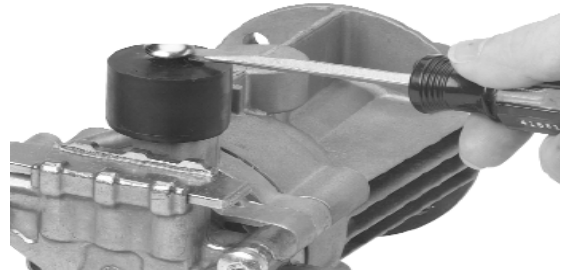




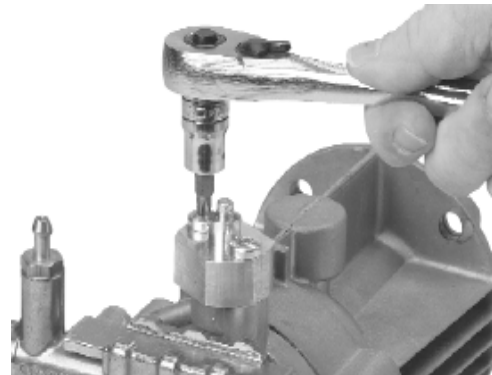
How to properly remove, replace and lubricate the Spill (Unloader) Valve, Part no. 4591-0400 for Pump (3.532-629.0)

Remove the entire pump assembly by removing the 4- 3/16" Allen bolts that mount the pump to the engine. **Do not remove** the 4-6mm hex bolts at the **front of the pump**. Removing these bolts will cause **oil to leak** from the pump.

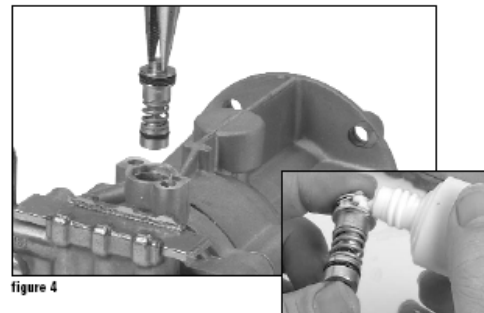
The Spill valve is located under the black plastic cap with the silver button on top. Remove the little silver cap with a standard screwdriver and then remove the black plastic cap.



Remove the Thermal valve by removing the 2 screws from the white housing. The screws are either Philips or Torx T30. Pull the white plastic housing from the pump, then remove the spring and brass needle.



Remove the spill valve by grasping the knob at the top of the spill valve with a needle-nose vice grip and pulling straight up. The spill valve is seated in the housing with an o-ring so there will be a slight resistance.



When the spill valve is removed use a damp cloth to clean the valve and verify that there are no cuts, tears, or damage to the o-rings. If possible clean and inspect the bore in the housing for pits or build up. (There is also a new K Retro Fit Kit available that has an anodized piston guide housing Part no. 4060-5880 that prevents build up.

Next lubricate the top **green** o-ring or o-rings of the spill valve generously with silicone grease; **DO NOT LUBRICATE THE LOWER O-RING**. Reinstall the valve and make sure that it is seated all the way to the bottom.

R.J. BOWERS DISTRIBUTORS INC.

2003 Harrison Av
Rockford, IL 61104

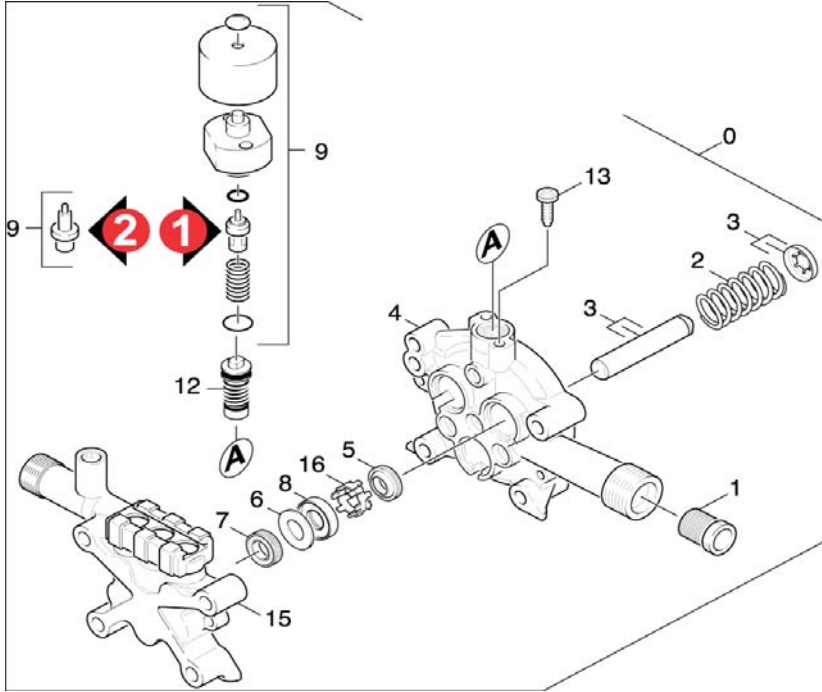
WEB: www.rjbowers.com

800-383-6584

FAX: 815-399-8839

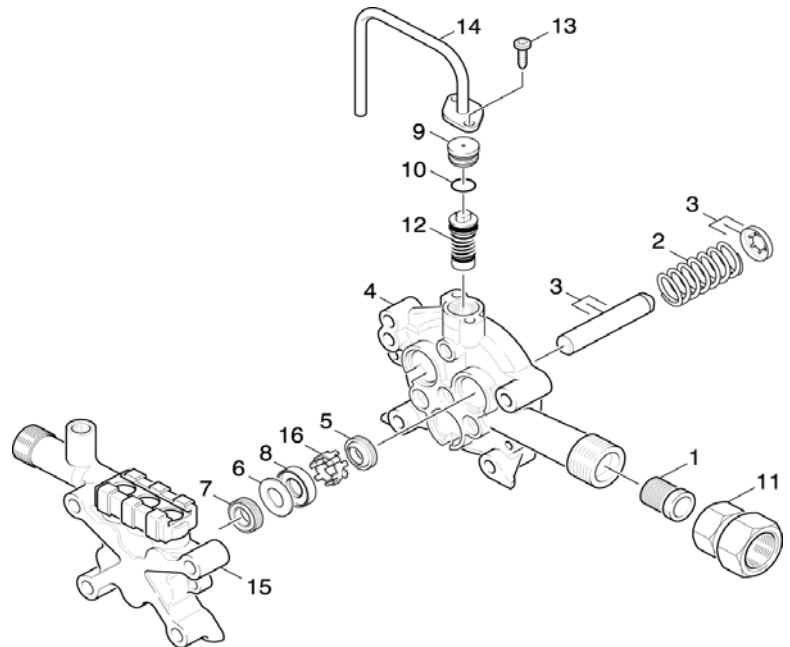
e-mail: parts@rjbowers.com

Pump (3.532-629.0) Diagram for Spill valve 4591-0400



Version 1 (most common)

Version 2



R.J. BOWERS DISTRIBUTORS INC.

2003 Harrison Av
Rockford, IL 61104

WEB: www.rjbowers.com

800-383-6584

FAX: 815-399-8839

e-mail: parts@rjbowers.com