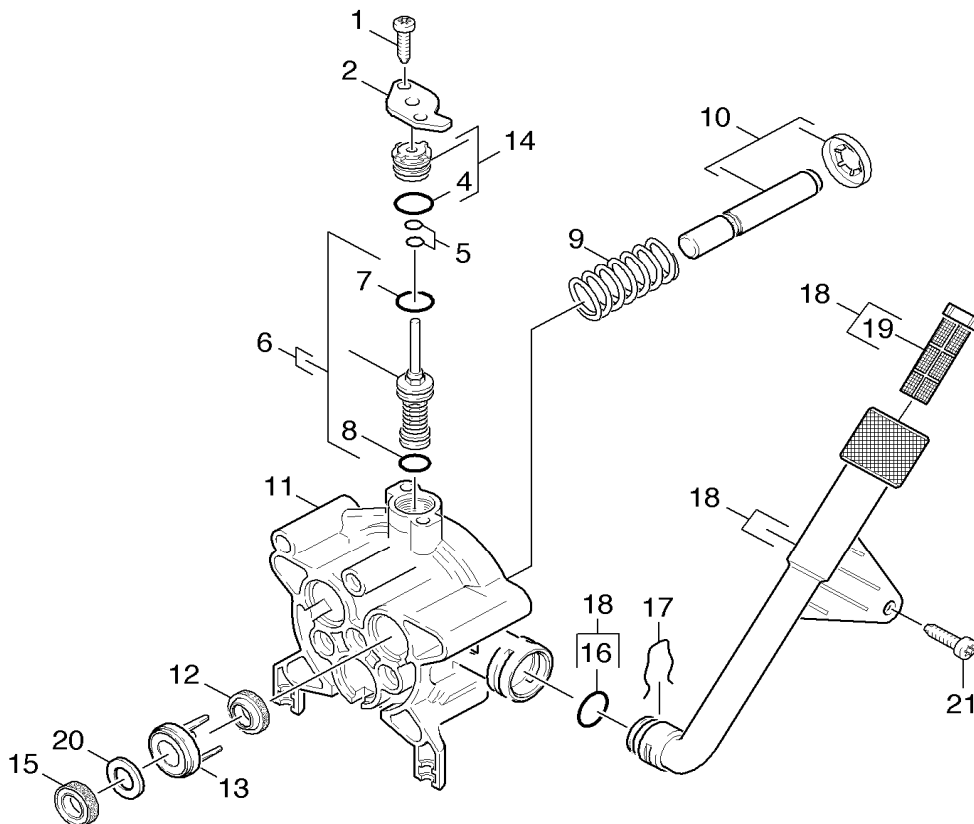


4580-6680 SPILL VALVE INSTRUCTIONS



Part 6 (includes 7 & 8) make up Part # 4580-6680 Spill (Unloader) Valve

Remove Spill Valve by grasping the knob at the top of the valve (# 6) with a needle-nose vice grip and pulling straight up. The Spill Valve is seated in the housing with 2 sets of o-rings (#'s 7 & 8) so there will be a slight resistance.

When the valve is removed use a damp cloth to clean the valve and verify that there are no cuts, tears or damage to the o-rings. If possible clean and inspect the bore in the housing for pits or build up.

Next lubricate the top o-rings (# 7) of the Spill Valve generously with silicone grease; **DO NOT LUBRICATE THE LOWER O-RING (# 8)**. The lower o-ring holds the valve in place. The lubrication on the top o-ring allows the valve to open and close properly. Reinstall the valve and make sure that it is seated all the way to the bottom.

R.J. BOWERS DISTRIBUTORS INC.

2003 Harrison Av
Rockford, IL 61104

WEB: www.rjbowers.com

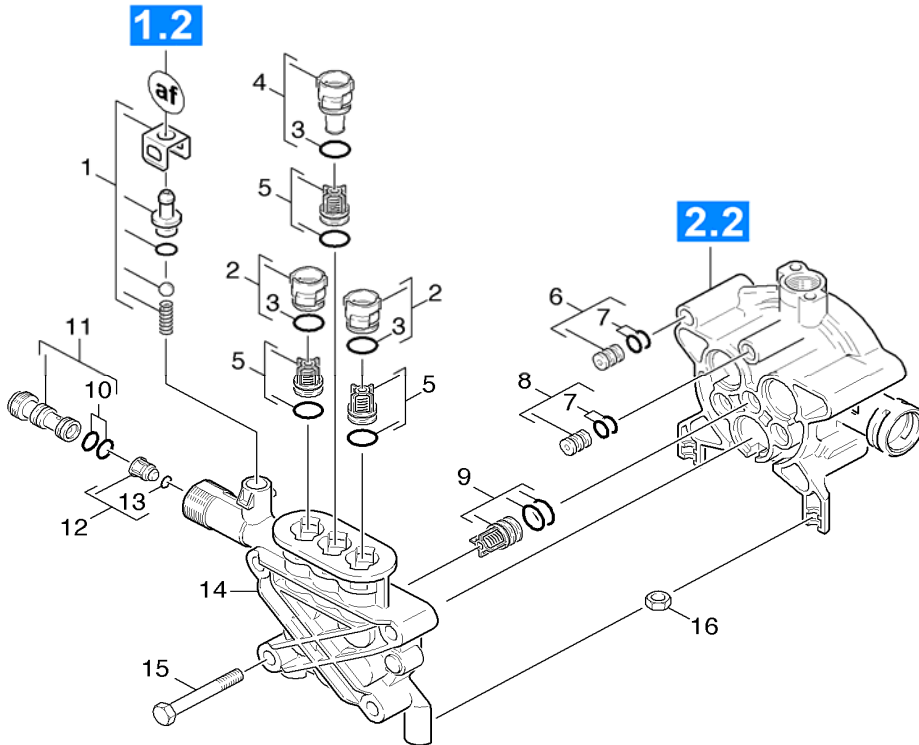
800-383-6584

FAX: 815-399-8839

e-mail: parts@rjbowers.com

4580-6680 SPILL VALVE INSTRUCTIONS

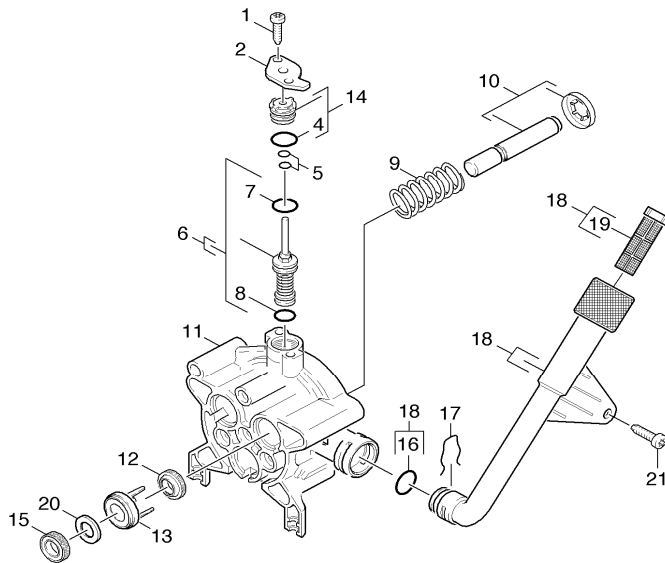
K 5.85M (1.396-703.0) PUMP BREAKDOWN



CYLINDER HEAD 2.1

2.2

THRUST GUIDANCE 2.2



R.J. BOWERS DISTRIBUTORS INC.

2003 Harrison Av
Rockford, IL 61104

WEB: www.rjbowers.com

800-383-6584

FAX: 815-399-8839

e-mail: parts@rjbowers.com