

**Spare parts list**  
**(8.923-380.0) SPARE PART LIST - KÄRCHER PRO SERIES**

## Table of contents

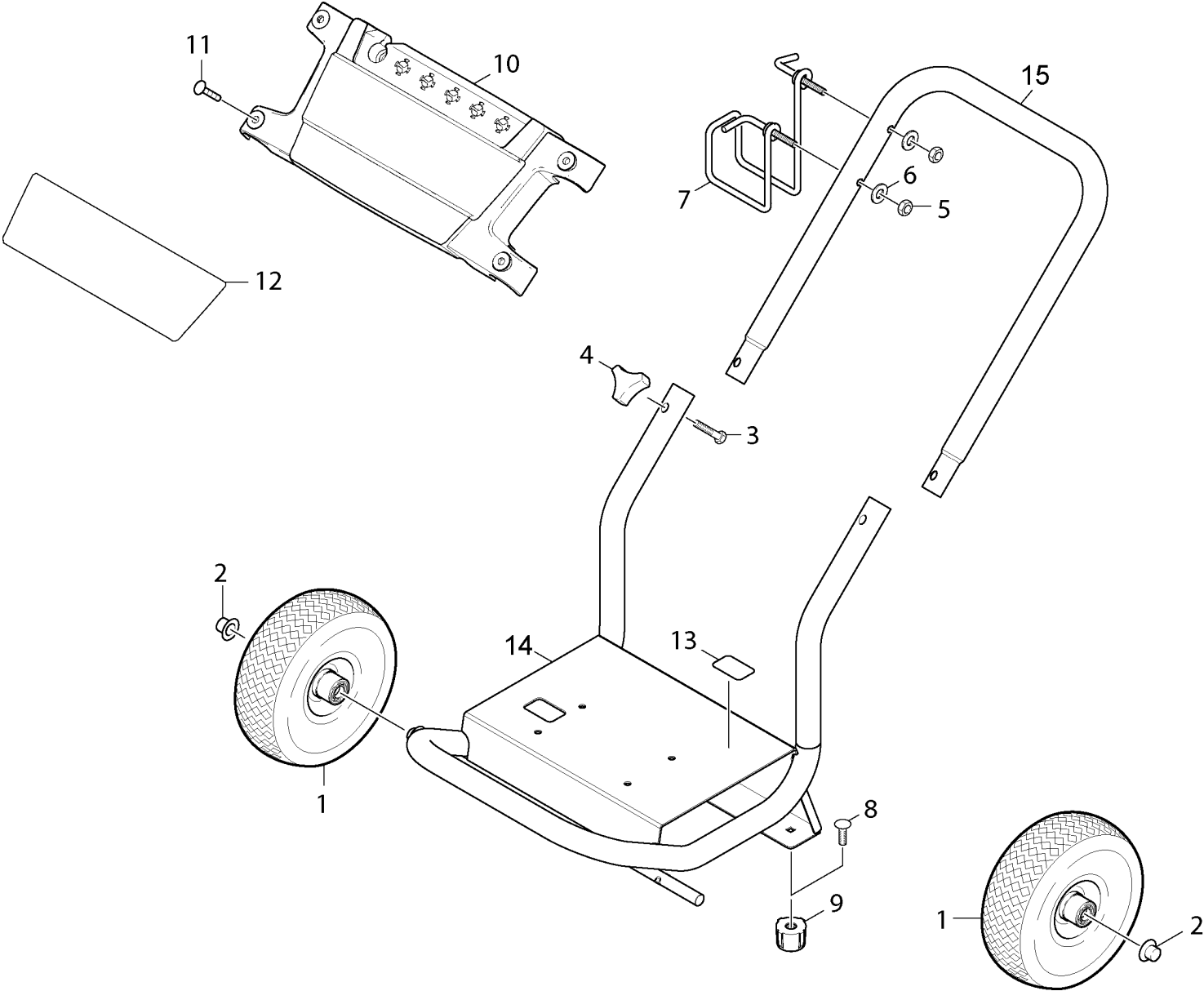
---

<b>SPARE PART LIST - KÄRCHER PRO SERIES (8.923-380.0)</b> .....	3
10 FRAME.....	4
20 PUMP SET.....	6
21 PISTON (8.923-396.0) .....	7
22 UNLOADER VALVE (8.923-397.0) .....	9
23 PUMP-UNLOADER VALVE (8.923-420.0) .....	11
30 MOTOR.....	13
40 ACCESSORIES.....	16

**SPARE PART LIST - KÄRCHER PRO SERIES (8.923-380.0)**

---

<b>Pos</b>	<b>Name</b>	<b>Qty.</b>	<b>Unit</b>
10	FRAME	1.000	ST
20	PUMP SET	1.000	ST
30	MOTOR	1.000	ST
40	ACCESSORIES	1.000	ST



**10 FRAME**

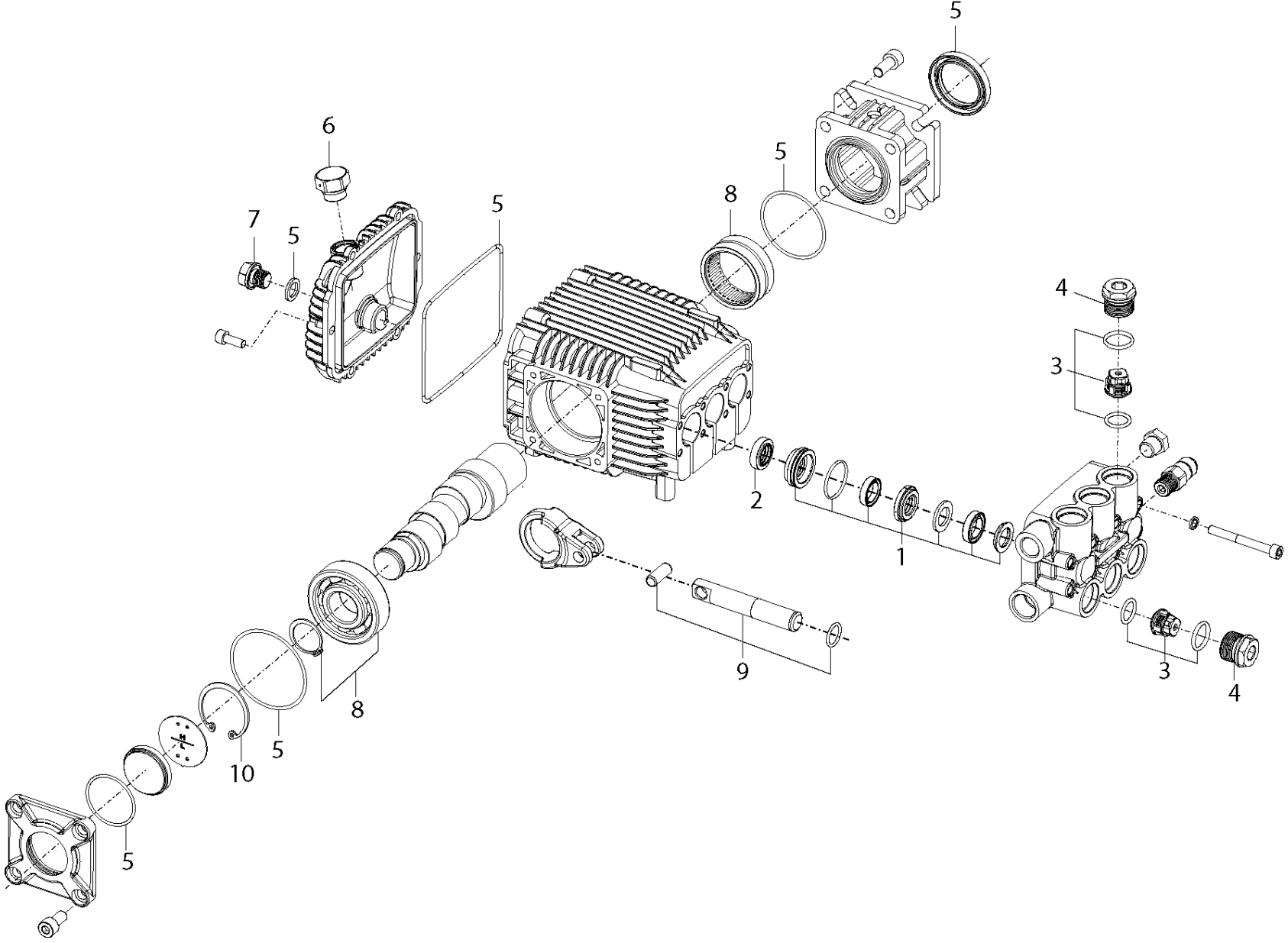
Pos	Material #	Name	Qty.	Unit	var. information	Footnote text
1	8.754-186.0	QH WHEEL ASSY, 10" GRAY STEEL RIM W/TUB	2.000	ST		ARTICLE ONLY AVAILABLE AT KNA
2	9.182-506.0	CAP BLACK PLASTIC,5/8"FASTENER	2.000	ST		ARTICLE ONLY AVAILABLE AT KNA
3	9.196-307.0	1/4-20 x 1-1/2 GR 2 HEX BOLT ZINC	2.000	ST		ARTICLE ONLY AVAILABLE AT KNA
4	9.182-353.0	KNOB 1/4"-20,3PT. STAR	2.000	ST		ARTICLE ONLY AVAILABLE AT KNA
5	9.802-786.0	*NUT, 5/16, HEX, NC	2.000	ST		ARTICLE ONLY AVAILABLE AT KNA
6	9.198-003.0	5/16 INTERNAL L/W .332 ID X .620 OD ZINC	2.000	ST		ARTICLE ONLY AVAILABLE AT KNA
7	9.142-014.0	HANGER RT SIDE	1.000	ST		ARTICLE ONLY AVAILABLE AT KNA
8	9.196-052.0	Hex Flange Cap Screw 5/16-18 x 3/4"	2.000	ST		ARTICLE ONLY AVAILABLE AT KNA
9	9.183-411.0	Rubber buffer	2.000	ST		ARTICLE ONLY AVAILABLE AT KNA
10	9.134-033.0	Name Plate without nozzle holes	1.000	ST	G 2800 OC	ARTICLE ONLY AVAILABLE AT KNA
10	9.134-022.0	Name plate	1.000	ST	G 3200 OC & G 3200 OCT	ARTICLE ONLY AVAILABLE AT KNA
11	9.196-049.0	Nylon Rivet	1.000	ST		ARTICLE ONLY AVAILABLE AT KNA
12	8.754-277.0	LABEL, G 2800 OC, TOP PLATE	1.000	ST	G 2800 OC	ARTICLE ONLY AVAILABLE AT KNA
12	8.754-278.0	LABEL, G 3200 OC TOP PLATE 5 NOZZLES	1.000	ST	G 3200 OC	ARTICLE ONLY AVAILABLE AT KNA
12	8.754-634.0	LABEL, G 3200 OCT TOP PLATE PROFESSIONAL	1.000	ST	G 3200 OCT	ARTICLE ONLY AVAILABLE AT KNA
13	5.387-620.0	Warning sticker-Prevent from freezing	1.000	ST		ARTICLE ONLY AVAILABLE AT KNA
14	8.923-155.0	POWDER COATED FRAME-O4-TITANIUM	1.000	ST		ARTICLE ONLY AVAILABLE AT KNA
15	8.923-156.0	Powder Coated Handle 05-TITANIUM Ga18	1.000	ST		ARTICLE ONLY AVAILABLE AT KNA

**20 PUMP SET**

---

<b>Pos</b>	<b>Material #</b>	<b>Name</b>	<b>Qty.</b>	<b>Unit</b>
21	8.923-396.0	PISTON	1.000	ST
22	8.923-397.0	UNLOADER VALVE	1.000	ST
23	8.923-420.0	PUMP-UNLOADER VALVE	1.000	ST

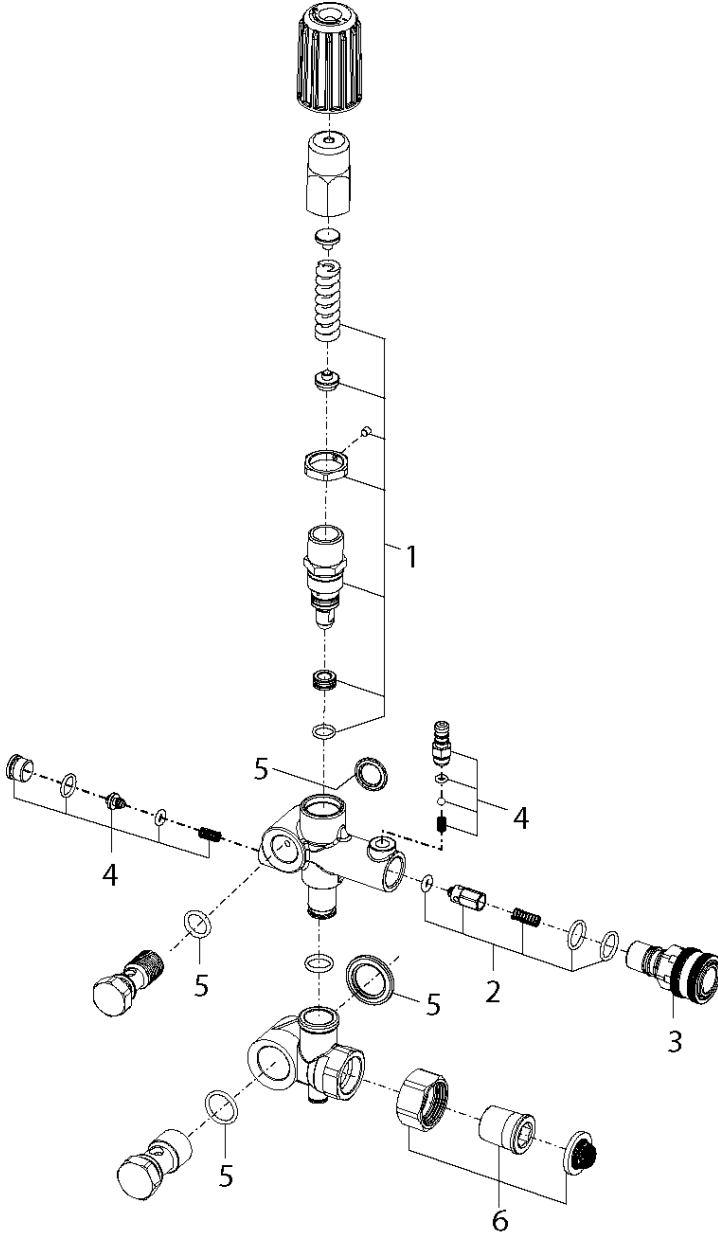
---



**21 PISTON (8.923-396.0)**

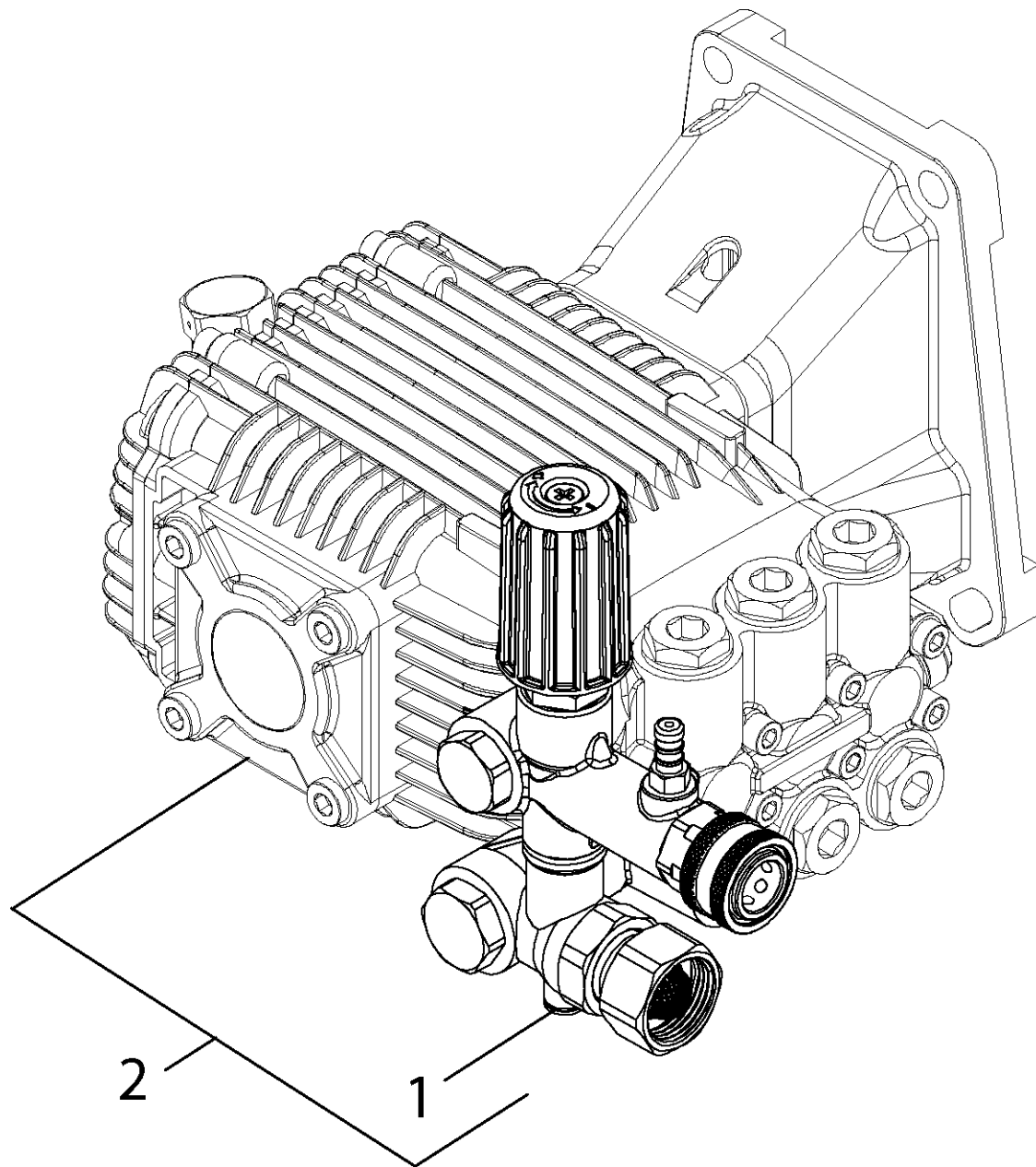
Pos	Material #	Name	Qty.	Unit	var. information	Footnote text
1	8.754-462.0	KIT, PUMP SEAL, HIGH/LOW PRESSURE	1.000	ST		ARTICLE ONLY AVAILABLE AT KNA
2	8.754-463.0	KIT, PUMP OIL SEALS	1.000	ST		ARTICLE ONLY AVAILABLE AT KNA
3	8.754-464.0	KIT, PUMP CHECK VALVES(1506.5A)	1.000	ST	G 3200 OCT MODEL	ARTICLE ONLY AVAILABLE AT KNA
3	8.754-550.0	KIT, PUMP CHECK VALVES, 1508A	1.000	ST	G 3500 OCT MODEL	ARTICLE ONLY AVAILABLE AT KNA
4	8.754-465.0	KIT, CHECK VALVE CAPS	1.000	ST		ARTICLE ONLY AVAILABLE AT KNA
5	8.754-466.0	KIT, PUMP O-RINGS	1.000	ST		ARTICLE ONLY AVAILABLE AT KNA
6	8.754-467.0	KIT, OIL DIP STICK	1.000	ST		ARTICLE ONLY AVAILABLE AT KNA
7	8.754-468.0	KIT, OIL DRAIN CAP	1.000	ST		ARTICLE ONLY AVAILABLE AT KNA
8	8.754-469.0	KIT, PUMP BEARINGS	1.000	ST		ARTICLE ONLY AVAILABLE AT KNA
9	8.754-470.0	KIT, PUMP PISTONS	1.000	ST		ARTICLE ONLY AVAILABLE AT KNA
10	8.754-472.0	KIT, LOCK RETAINER	1.000	ST		ARTICLE ONLY AVAILABLE AT KNA





**22 UNLOADER VALVE (8.923-397.0)**

Pos	Material #	Name	Qty.	Unit	Footnote text
1	8.754-457.0	KIT, UNLOADER, STEM REPAIR	1.000	ST	ARTICLE ONLY AVAILABLE AT KNA
2	8.754-458.0	KIT, UNLOADER CHECK VALVE	1.000	ST	ARTICLE ONLY AVAILABLE AT KNA
3	8.754-459.0	KIT, UNLOADER OUTLET FITTING(1506.5A)	1.000	ST	ARTICLE ONLY AVAILABLE AT KNA
4	8.754-460.0	KIT, UNLOADER EZ/CHEMICAL VALVE	1.000	ST	ARTICLE ONLY AVAILABLE AT KNA
5	8.754-461.0	KIT, UNLOADER FLAT SEALS	1.000	ST	ARTICLE ONLY AVAILABLE AT KNA
6	8.754-549.0	KIT, UNLOADER OUTLET FITTING, 1508A	1.000	ST	ARTICLE ONLY AVAILABLE AT KNA

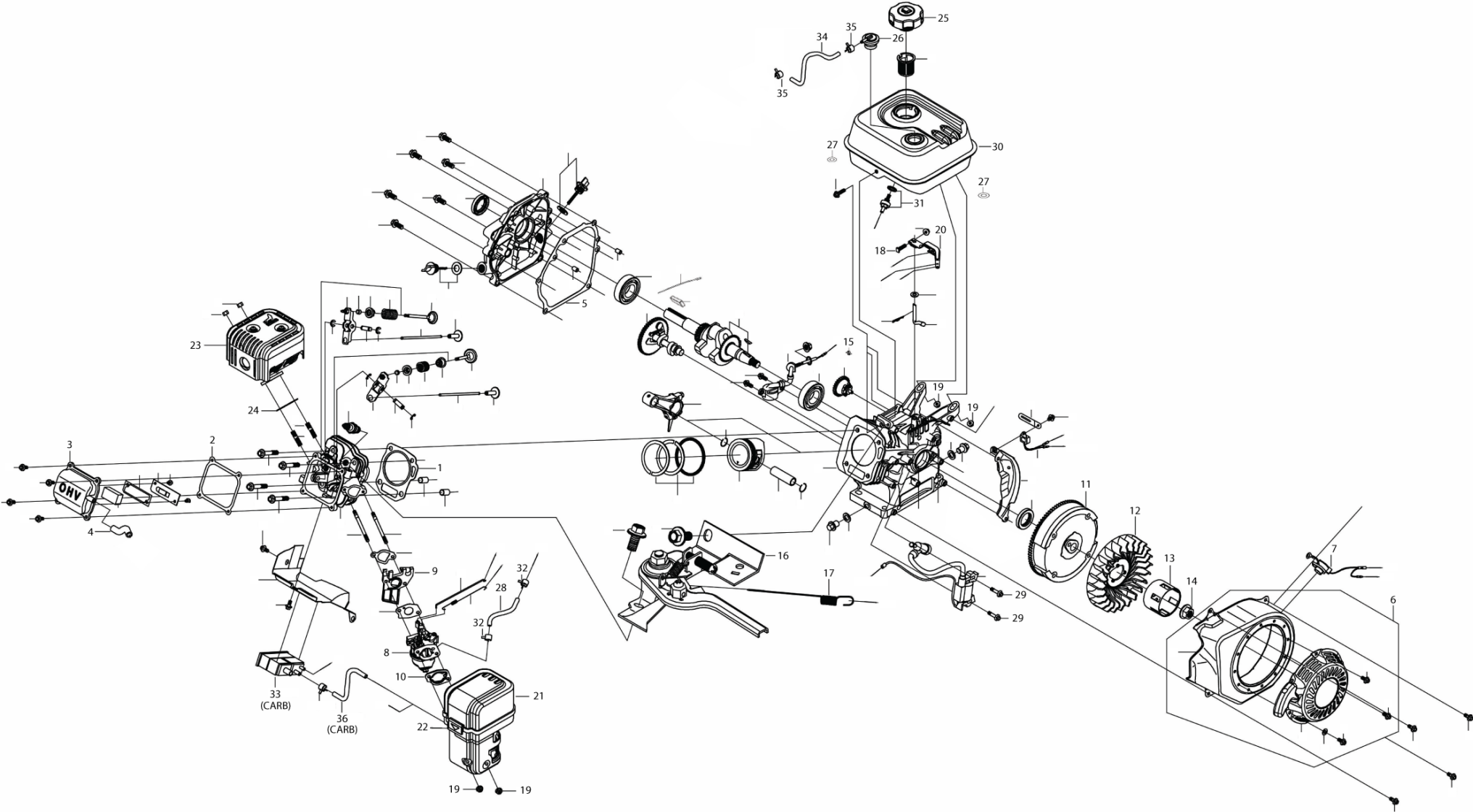


**23 PUMP-UNLOADER VALVE (8.923-420.0)**

---

Pos	Material #	Name	Qty.	Unit	var. information	Footnote text
1	8.754-471.0	UNLOADER, WZ SERIES	1.000	ST		ARTICLE ONLY AVAILABLE AT KNA
2	8.754-328.0	TRIPLEX PUMP, 2.5GPM@3200PSI, 3400RPM,DD	1.000	ST	G 3200 OCT MODEL	ARTICLE ONLY AVAILABLE AT KNA
2	8.754-327.0	TRIPLEX PUMP, 3.2GPM@3600PSI, 3400RPM,DD	1.000	ST	G 3500 OCT MODEL	ARTICLE ONLY AVAILABLE AT KNA

---

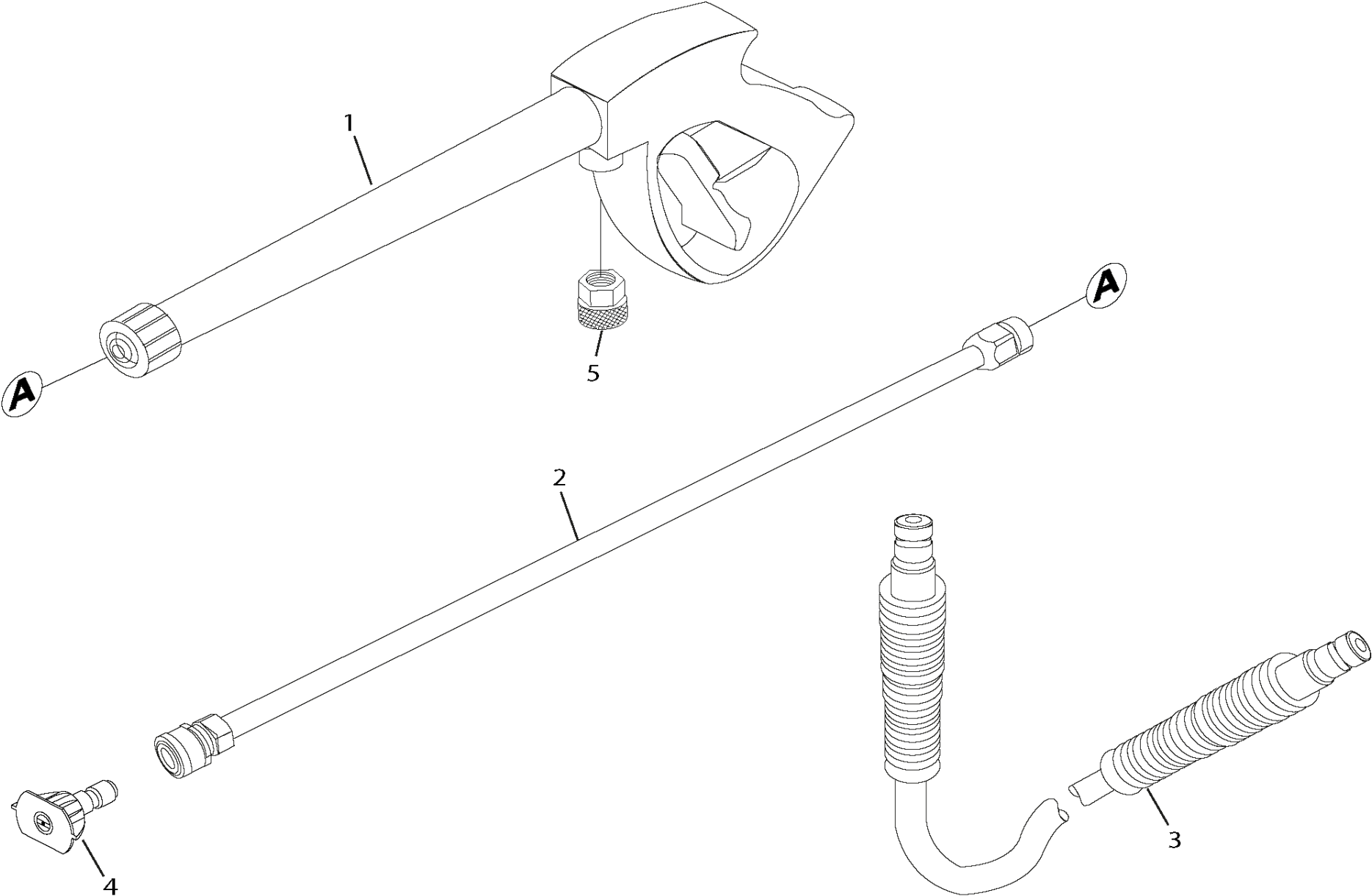


**30 MOTOR**

Pos	Material #	Name	Qty.	Unit	Footnote text
1	8.753-618.0	GASKET, CYLINDER, G200FA	1.000	ST	ARTICLE ONLY AVAILABLE AT KNA
2	8.753-619.0	PACKING, HEAD COVER, G200FA	1.000	ST	ARTICLE ONLY AVAILABLE AT KNA
3	8.753-620.0	COVER COMP., HEAD, G200FA	1.000	ST	ARTICLE ONLY AVAILABLE AT KNA
4	8.753-621.0	TUBE, BREATHER, G200FA	1.000	ST	ARTICLE ONLY AVAILABLE AT KNA
5	8.753-622.0	PACKING, CASE COVER, G200FA	1.000	ST	ARTICLE ONLY AVAILABLE AT KNA
6	8.753-623.0	RECOIL STARTER COMP. G200FA	1.000	ST	ARTICLE ONLY AVAILABLE AT KNA
7	8.753-624.0	SWITCH ASSY., ENGINE STOP, G200FA	1.000	ST	ARTICLE ONLY AVAILABLE AT KNA
8	8.753-625.0	CARBURETOR, G200FA	1.000	ST	ARTICLE ONLY AVAILABLE AT KNA
9	8.753-626.0	INSULATOR, CARBURETOR, G200FA	1.000	ST	ARTICLE ONLY AVAILABLE AT KNA
10	8.753-627.0	SPACER COMP., AIR CLEANER, G200FA	1.000	ST	ARTICLE ONLY AVAILABLE AT KNA
11	8.753-628.0	FLYWHEEL COMP., G200FA	1.000	ST	ARTICLE ONLY AVAILABLE AT KNA
12	8.753-629.0	FAN, COOLING, G200FA	1.000	ST	ARTICLE ONLY AVAILABLE AT KNA
13	8.753-630.0	PULLEY, STARTER, G200FA	1.000	ST	ARTICLE ONLY AVAILABLE AT KNA
14	8.753-631.0	NUT, SPECIAL, G200FA	1.000	ST	ARTICLE ONLY AVAILABLE AT KNA
15	8.753-632.0	CLIP, ONE WAY VALVE, G200FA	1.000	ST	ARTICLE ONLY AVAILABLE AT KNA
16	8.753-633.0	CONTROL ASSY, G200FA	1.000	ST	ARTICLE ONLY AVAILABLE AT KNA
17	8.753-634.0	SPRING, GOVERNOR, G200FA	1.000	ST	ARTICLE ONLY AVAILABLE AT KNA
18	8.753-635.0	BOLT, GOVERNOR ARM, M6 X 21, G200FA	1.000	ST	ARTICLE ONLY AVAILABLE AT KNA
19	8.753-636.0	NUT, FLANGE, G200FA	1.000	ST	ARTICLE ONLY AVAILABLE AT KNA
20	8.753-637.0	ARM, GOVERNOR, G200FA	1.000	ST	ARTICLE ONLY AVAILABLE AT KNA
21	8.753-638.0	AIR CLEANER ASSY, G200FA	1.000	ST	ARTICLE ONLY AVAILABLE AT KNA
22	8.753-639.0	ELEMENT ASSY, AIR CLEANER, G200FA	1.000	ST	ARTICLE ONLY AVAILABLE AT KNA
23	8.753-640.0	MUFFLER ASSY, G200FA	1.000	ST	ARTICLE ONLY AVAILABLE AT KNA
24	8.753-641.0	GASKET, MUFFLER, G200FA	1.000	ST	ARTICLE ONLY AVAILABLE AT KNA
25	8.753-642.0	CAP COMP., FUEL FILLER, G200FA	1.000	ST	ARTICLE ONLY AVAILABLE AT KNA

**30 MOTOR**

Pos	Material #	Name	Qty.	Unit	Footnote text
26	8.753-643.0	GAS VALVE, FUEL TANK, G200FA	1.000	ST	ARTICLE ONLY AVAILABLE AT KNA
27	8.753-644.0	WASHER, RUBBER, G200FA	2.000	ST	ARTICLE ONLY AVAILABLE AT KNA
28	8.753-645.0	TUBE, FUEL, G200FA	1.000	ST	ARTICLE ONLY AVAILABLE AT KNA
29	8.753-647.0	BOLT, FLANGE, 6 X 25, G200FA	1.000	ST	ARTICLE ONLY AVAILABLE AT KNA
30	8.753-648.0	TANK COMP., FUEL, G200FA	1.000	ST	ARTICLE ONLY AVAILABLE AT KNA
31	8.753-649.0	JOINT ASSY, FUEL TANK, G200FA	1.000	ST	ARTICLE ONLY AVAILABLE AT KNA
32	8.753-650.0	LOOP, TUBE, G200FA	2.000	ST	ARTICLE ONLY AVAILABLE AT KNA
33	8.753-651.0	CARBON CANNISTER ASSY, G200FA	1.000	ST	ARTICLE ONLY AVAILABLE AT KNA
34	8.753-652.0	PIPE, G200FA	1.000	ST	ARTICLE ONLY AVAILABLE AT KNA
35	8.753-653.0	LOOP, TUBE, G200FA	1.000	ST	ARTICLE ONLY AVAILABLE AT KNA
36	8.753-654.0	PIPE, G200FA	1.000	ST	ARTICLE ONLY AVAILABLE AT KNA





**40 ACCESSORIES**

---

Pos	Material #	Name	Qty.	Unit	Footnote text
1	8.751-383.0	GUN, BIT 105, 3200PSI, W/SS SEAT	1.000	ST	ARTICLE ONLY AVAILABLE AT KNA
2	9.112-533.0	Lance-AL Quick Connect-Male 3000 psi	1.000	ST	ARTICLE ONLY AVAILABLE AT KNA
3	8.920-556.0	HOSE 3/8X25', 1W, TS KARCH, PLUGXPLUG	1.000	ST	ARTICLE ONLY AVAILABLE AT KNA
4	8.754-286.0	NOZZLE KIT .028	1.000	ST	ARTICLE ONLY AVAILABLE AT KNA
5	9.154-045.0	Quick Connect	1.000	ST	ARTICLE ONLY AVAILABLE AT KNA

---