

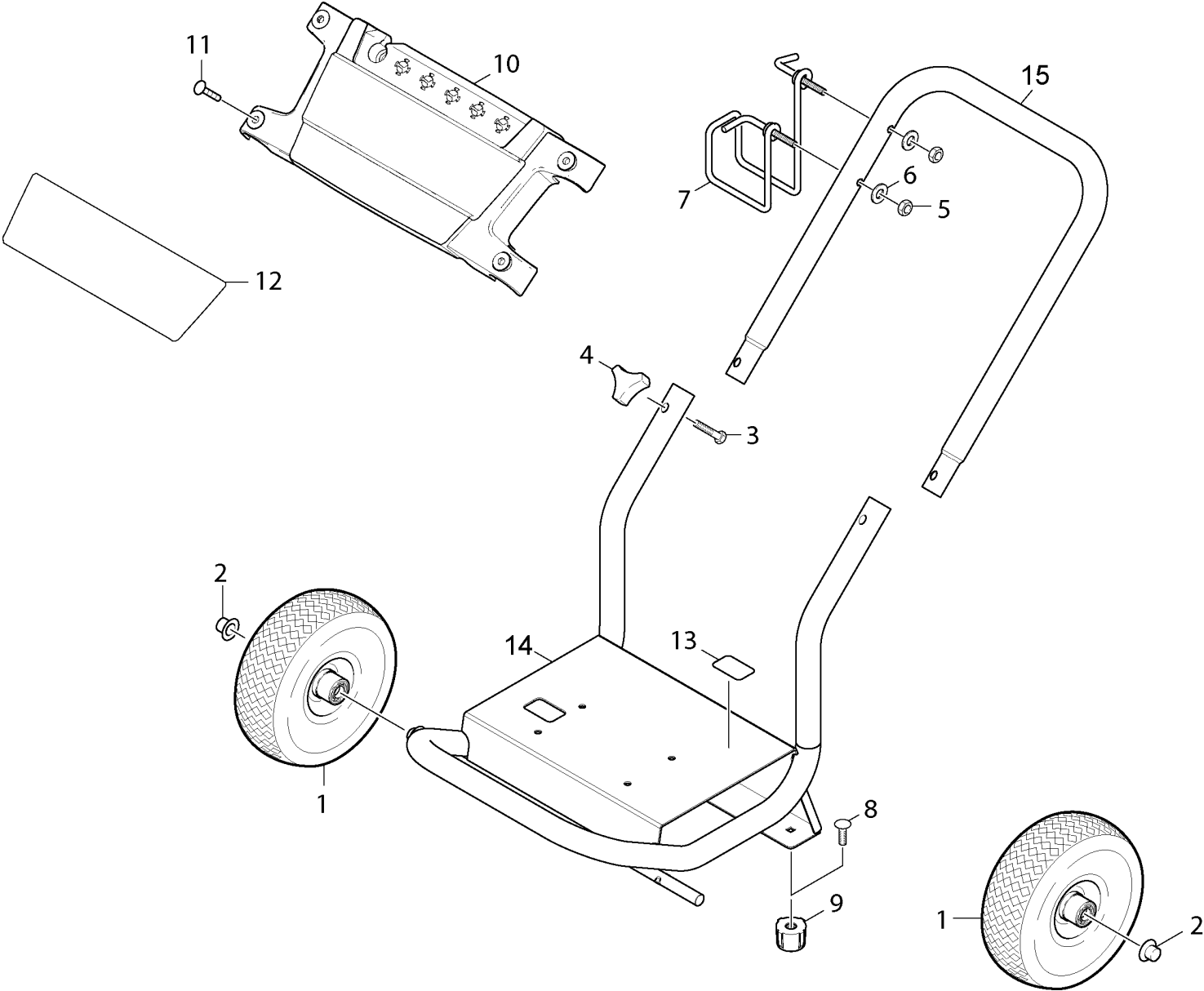
Spare parts list
(8.923-378.0) SPARE PART LIST - KÄRCHER PRO SERIES

Table of contents

SPARE PART LIST - KÄRCHER PRO SERIES (8.923-378.0)	3
10 FRAME.....	4
20 PUMP SET.....	6
21 CYLINDER HEAD (8.921-430.0).....	7
9 Spare part set chemistry (2.883-862.0).....	9
10 Drain plug only for replacement (4.132-007.0).....	10
11 Valve (3 Stück) (2.884-916.0).....	12
22 PISTON (8.921-431.0).....	14
30 MOTOR.....	16
31 MOTOR.....	17
32 TRANSMISSION.....	20
40 ACCESSORIES.....	22

SPARE PART LIST - KÄRCHER PRO SERIES (8.923-378.0)

Pos	Name	Qty.	Unit
10	FRAME	1.000	ST
20	PUMP SET	1.000	ST
30	MOTOR	1.000	ST
40	ACCESSORIES	1.000	ST

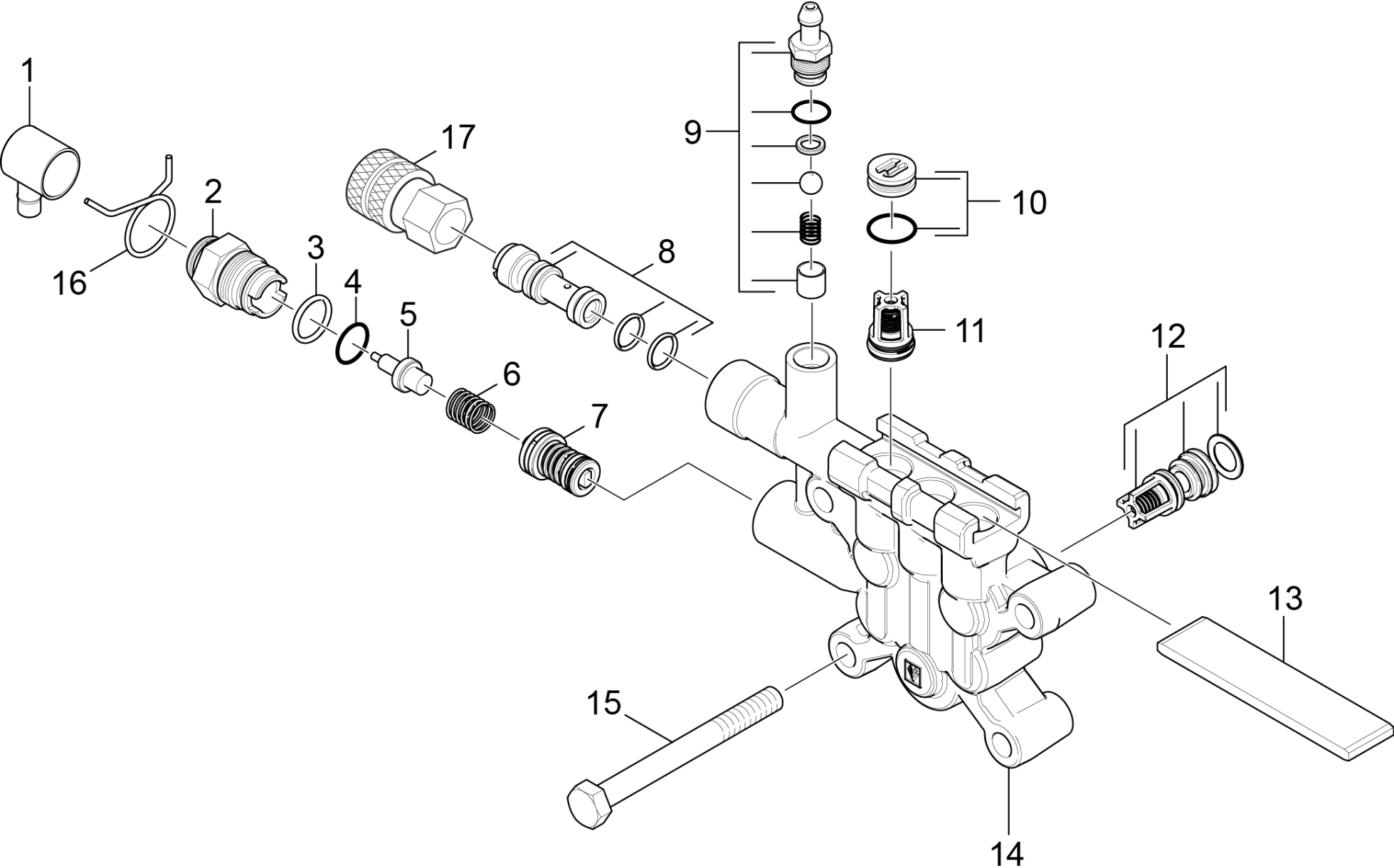


10 FRAME

Pos	Material #	Name	Qty.	Unit	var. information	Footnote text
1	8.754-186.0	QH WHEEL ASSY, 10" GRAY STEEL RIM W/TUB	2.000	ST		ARTICLE ONLY AVAILABLE AT KNA
2	9.182-506.0	CAP BLACK PLASTIC,5/8"FASTENER	2.000	ST		ARTICLE ONLY AVAILABLE AT KNA
3	9.196-307.0	1/4-20 x 1-1/2 GR 2 HEX BOLT ZINC	2.000	ST		ARTICLE ONLY AVAILABLE AT KNA
4	9.182-353.0	KNOB 1/4"-20,3PT. STAR	2.000	ST		ARTICLE ONLY AVAILABLE AT KNA
5	9.802-786.0	*NUT, 5/16, HEX, NC	2.000	ST		ARTICLE ONLY AVAILABLE AT KNA
6	9.198-003.0	5/16 INTERNAL L/W .332 ID X .620 OD ZINC	2.000	ST		ARTICLE ONLY AVAILABLE AT KNA
7	9.142-014.0	HANGER RT SIDE	1.000	ST		ARTICLE ONLY AVAILABLE AT KNA
8	9.196-052.0	Hex Flange Cap Screw 5/16-18 x 3/4"	2.000	ST		ARTICLE ONLY AVAILABLE AT KNA
9	9.183-411.0	Rubber buffer	2.000	ST		ARTICLE ONLY AVAILABLE AT KNA
10	9.134-033.0	Name Plate without nozzle holes	1.000	ST	G 2800 OC	ARTICLE ONLY AVAILABLE AT KNA
10	9.134-022.0	Name plate	1.000	ST	G 3200 OC & G 3200 OCT	ARTICLE ONLY AVAILABLE AT KNA
11	9.196-049.0	Nylon Rivet	1.000	ST		ARTICLE ONLY AVAILABLE AT KNA
12	8.754-277.0	LABEL, G 2800 OC, TOP PLATE	1.000	ST	G 2800 OC	ARTICLE ONLY AVAILABLE AT KNA
12	8.754-278.0	LABEL, G 3200 OC TOP PLATE 5 NOZZLES	1.000	ST	G 3200 OC	ARTICLE ONLY AVAILABLE AT KNA
12	8.754-634.0	LABEL, G 3200 OCT TOP PLATE PROFESSIONAL	1.000	ST	G 3200 OCT	ARTICLE ONLY AVAILABLE AT KNA
13	5.387-620.0	Warning sticker-Prevent from freezing	1.000	ST		ARTICLE ONLY AVAILABLE AT KNA
14	8.923-155.0	POWDER COATED FRAME-O4-TITANIUM	1.000	ST		ARTICLE ONLY AVAILABLE AT KNA
15	8.923-156.0	Powder Coated Handle 05-TITANIUM Ga18	1.000	ST		ARTICLE ONLY AVAILABLE AT KNA

20 PUMP SET

Pos	Material #	Name	Qty.	Unit	Footnote text
21	8.921-430.0	CYLINDER HEAD	1.000	ST	ARTICLE ONLY AVAILABLE AT KNA
22	8.921-431.0	PISTON	1.000	ST	ARTICLE ONLY AVAILABLE AT KNA

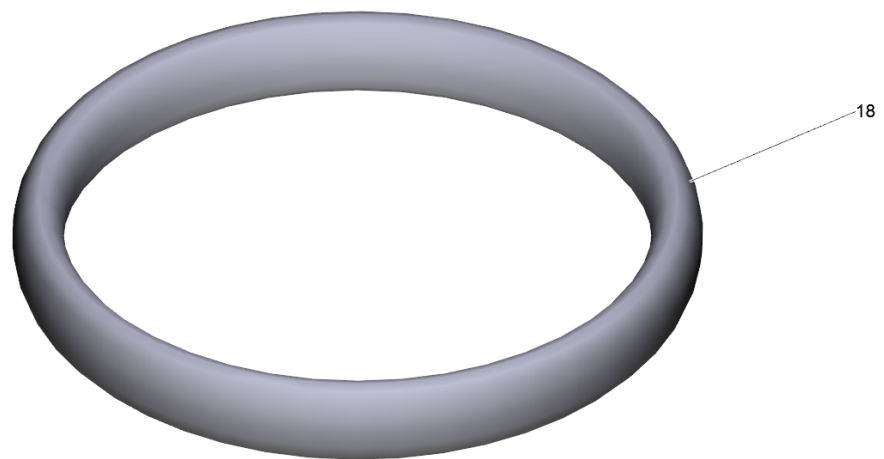
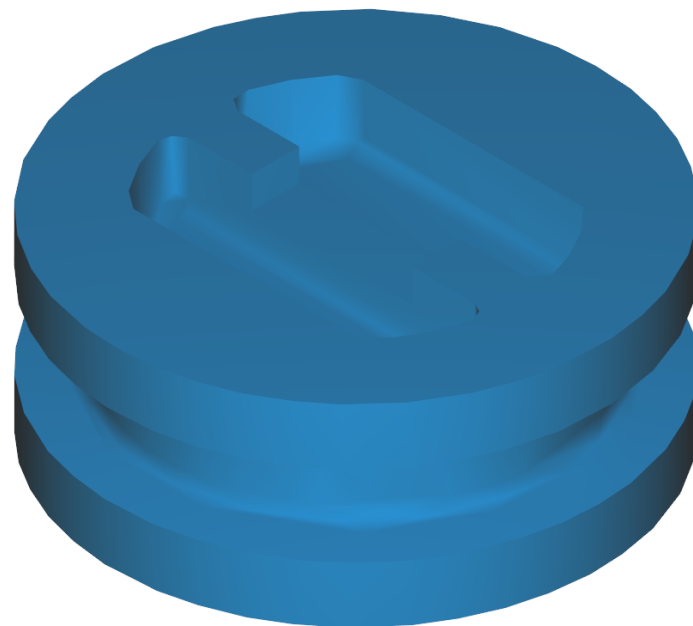


21 CYLINDER HEAD (8.921-430.0)

ET/VT (spare/wear parts)	Pos	Material #	Name	Qty.	Unit	Footnote text
	1	8.752-076.0	VALVE, THERMAL COVER-LONG	1.000	ST	ARTICLE ONLY AVAILABLE AT KNA
	2	9.184-018.0	Valve screw	1.000	ST	ARTICLE ONLY AVAILABLE AT KNA
	3	6.362-480.0	O-Ring seal 12,42x 1,78	1.000	ST	ARTICLE ONLY AVAILABLE AT KNA
	4	7.362-507.0	O-Ring seal 8x2-NBR 90 DIN 3770	1.000	ST	ARTICLE ONLY AVAILABLE AT KNA
	5	6.413-403.0	Therموالve 60°	1.000	ST	ARTICLE ONLY AVAILABLE AT KNA
	6	5.332-290.0	Helical spring	1.000	ST	ARTICLE ONLY AVAILABLE AT KNA
	7	9.175-005.0	Unloader Assembly	1.000	ST	ARTICLE ONLY AVAILABLE AT KNA
	8	9.139-372.0	SPARE PART LIST NOZZLE INS 020/021 PUMP	1.000	ST	ARTICLE ONLY AVAILABLE AT KNA
	9	2.883-862.0	Spare part set chemistry	1.000	ST	ARTICLE ONLY AVAILABLE AT KNA
X-X	10	4.132-007.0	Drain plug only for replacement	3.000	ST	ARTICLE ONLY AVAILABLE AT KNA
X-X	11	2.884-916.0	Valve (3 Stück)	1.000	ST	ARTICLE ONLY AVAILABLE AT KNA
	12	9.139-376.0	Valve 3 St.	1.000	ST	ARTICLE ONLY AVAILABLE AT KNA
	13	5.003-062.0	Plate	1.000	ST	ARTICLE ONLY AVAILABLE AT KNA
	14	9.135-015.0	Cylinder Head-Machined	1.000	ST	ARTICLE ONLY AVAILABLE AT KNA
	15	7.304-098.0	Hexagonal head screw M8x80-8.8-A2E ISO	4.000	ST	ARTICLE ONLY AVAILABLE AT KNA
	16	8.752-032.0	CLAMP, TENSION SPRING OD 11/16"	1.000	ST	ARTICLE ONLY AVAILABLE AT KNA
	17	9.154-045.0	Quick Connect	1.000	ST	ARTICLE ONLY AVAILABLE AT KNA

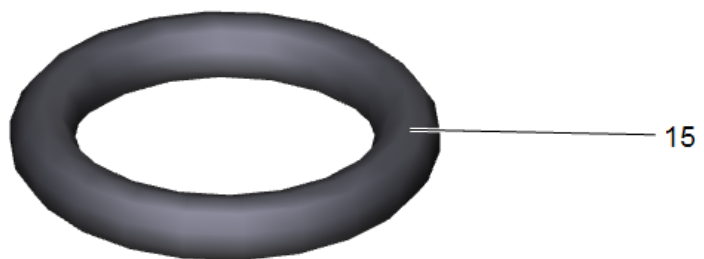
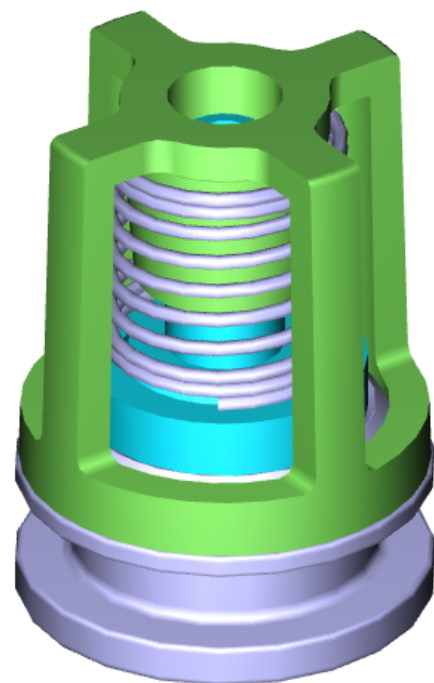
9 Spare part set chemistry (2.883-862.0)

Pos	Material #	Name	Qty.	Unit	from ser.nr.	up to ser.nr.
10	5.110-714.0	Sleeve	1.000	ST	0000000000	0000000000
20	5.332-258.0	Helical spring	1.000	ST	0000000000	0000000000
30	5.380-014.0	Label	1.000	ST	0000000000	0000000000
40	5.443-448.0	Nipple chemistry	1.000	ST	0000000000	0000000000
50	6.362-175.0	O-Ring seal 5,28x 1,78	1.000	ST	0000000000	0000000000
60	6.362-451.0	O-Ring seal 8,0 x 1,0	1.000	ST	0000000000	0000000000
70	7.401-909.0	Sphere 7 G40 -1.4401 DIN 5401	1.000	ST	0000000000	0000000000



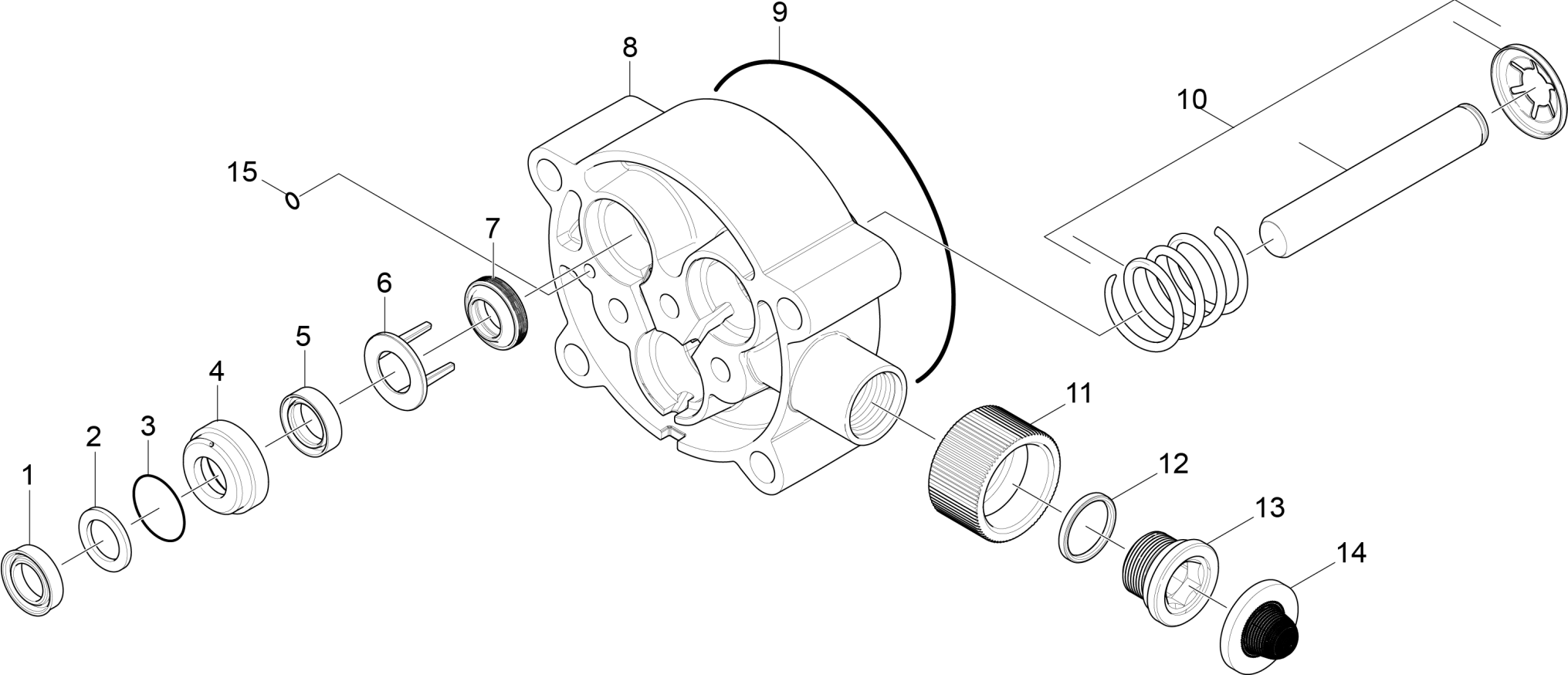
10 Drain plug only for replacement (4.132-007.0)

Pos	Material #	Name	Qty.	Unit
18	6.362-458.0	O-Ring seal 11,0x2,0-NBR 70	1.000	ST



11 Valve (3 Stück) (2.884-916.0)

Pos	Material #	Name	Qty.	Unit
15	6.362-077.0	O-Ring seal 10 x 2,2 NBR 70	1.000	ST

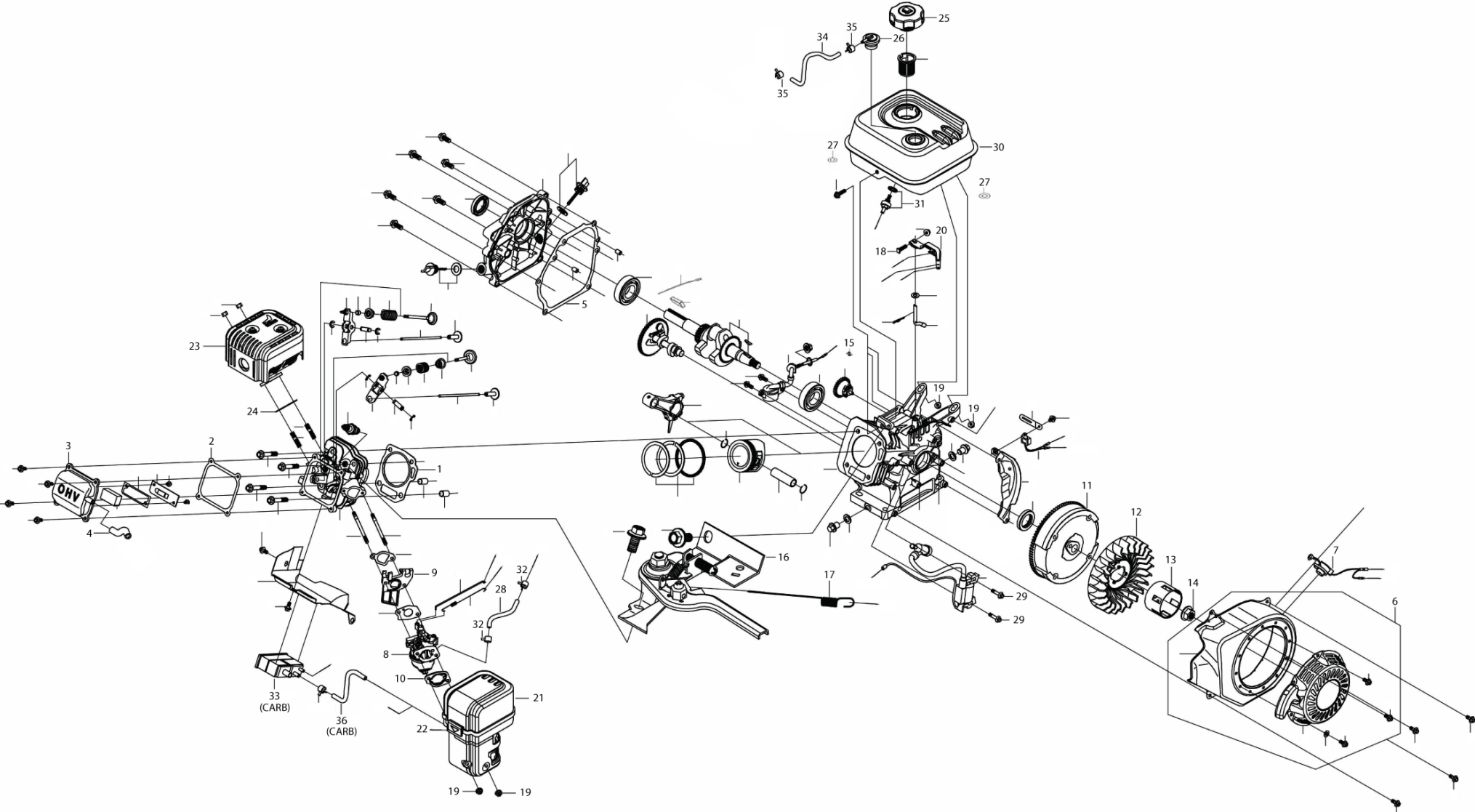


22 PISTON (8.921-431.0)

ET/VT (spare/wear parts)	Pos	Material #	Name	Qty.	Unit	Footnote text
X-X	1	9.177-301.0	HIGH PRESSURE SEAL	3.000	ST	ARTICLE ONLY AVAILABLE AT KNA
	2	9.177-310.0	BACK RING-HIGH PRESSURE SEAL-	3.000	ST	ARTICLE ONLY AVAILABLE AT KNA
X	3	6.362-833.0	O-Ring seal 21,5 x 1,78	3.000	ST	ARTICLE ONLY AVAILABLE AT KNA
	4	9.155-011.0	HOUSING-LOW PRESSURE SEAL	3.000	ST	ARTICLE ONLY AVAILABLE AT KNA
	5	6.363-058.0	Grooved ring 12x18x5 (90Shore)	3.000	ST	ARTICLE ONLY AVAILABLE AT KNA
	6	9.134-016.0	SPACER-OIL SEAL & SEAL HSG.	3.000	ST	ARTICLE ONLY AVAILABLE AT KNA
	7	6.365-393.0	Oil sealing 12x20x4/6	3.000	ST	ARTICLE ONLY AVAILABLE AT KNA
	8	9.133-007.0	Piston Guide-Machined	1.000	ST	ARTICLE ONLY AVAILABLE AT KNA
	9	6.362-471.0	O-Ring seal 80,0 X 3,0 -NBR 70	1.000	ST	ARTICLE ONLY AVAILABLE AT KNA
	10	9.139-370.0	SPARE PART LIST PISTON 020/021 PUMP	3.000	ST	ARTICLE ONLY AVAILABLE AT KNA
	11	9.155-013.0	FEMALE HOSE CONNECTOR	1.000	ST	ARTICLE ONLY AVAILABLE AT KNA
	12	6.362-390.0	O-Ring seal 15,6 X 1,78	1.000	ST	ARTICLE ONLY AVAILABLE AT KNA
	13	9.134-019.0	MALE ADAPTER	1.000	ST	ARTICLE ONLY AVAILABLE AT KNA
	14	9.181-005.0	FILTER SEAL-HOSE CONNECTOR-	1.000	ST	ARTICLE ONLY AVAILABLE AT KNA
	15	6.363-626.0	O-Ring seal 4,47x1,78 -NBR90	1.000	ST	ARTICLE ONLY AVAILABLE AT KNA

30 MOTOR

Pos	Name	Qty.	Unit	Footnote text
31	MOTOR	1.000	ST	ARTICLE ONLY AVAILABLE AT KNA
32	TRANSMISSION	1.000	ST	ARTICLE ONLY AVAILABLE AT KNA

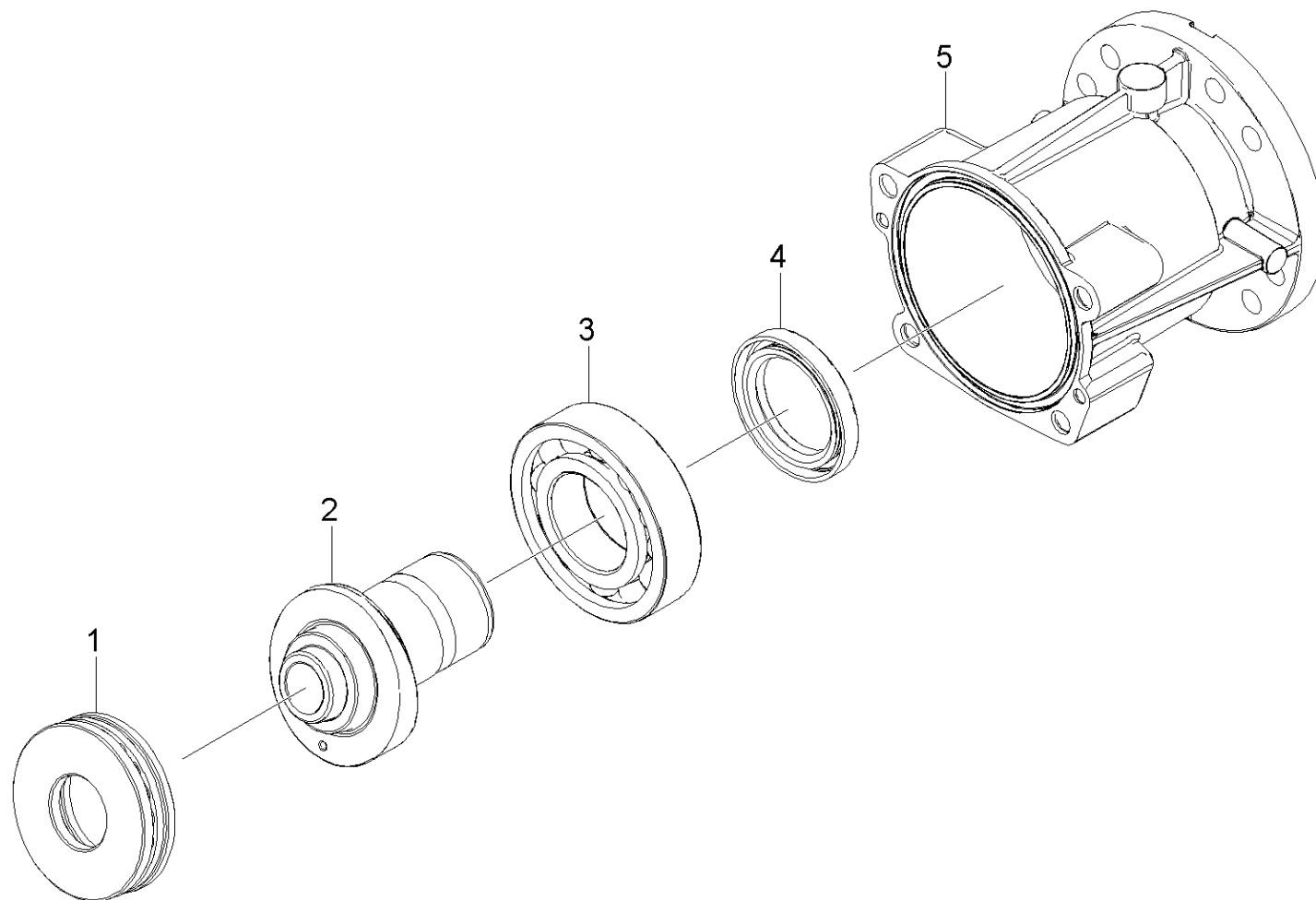


31 MOTOR

Pos	Material #	Name	Qty.	Unit	Footnote text
1	8.753-618.0	GASKET, CYLINDER, G200FA	1.000	ST	ARTICLE ONLY AVAILABLE AT KNA
2	8.753-619.0	PACKING, HEAD COVER, G200FA	1.000	ST	ARTICLE ONLY AVAILABLE AT KNA
3	8.753-620.0	COVER COMP., HEAD, G200FA	1.000	ST	ARTICLE ONLY AVAILABLE AT KNA
4	8.753-621.0	TUBE, BREATHER, G200FA	1.000	ST	ARTICLE ONLY AVAILABLE AT KNA
5	8.753-622.0	PACKING, CASE COVER, G200FA	1.000	ST	ARTICLE ONLY AVAILABLE AT KNA
6	8.753-623.0	RECOIL STARTER COMP. G200FA	1.000	ST	ARTICLE ONLY AVAILABLE AT KNA
7	8.753-624.0	SWITCH ASSY., ENGINE STOP, G200FA	1.000	ST	ARTICLE ONLY AVAILABLE AT KNA
8	8.753-625.0	CARBURETOR, G200FA	1.000	ST	ARTICLE ONLY AVAILABLE AT KNA
9	8.753-626.0	INSULATOR, CARBURETOR, G200FA	1.000	ST	ARTICLE ONLY AVAILABLE AT KNA
10	8.753-627.0	SPACER COMP., AIR CLEANER, G200FA	1.000	ST	ARTICLE ONLY AVAILABLE AT KNA
11	8.753-628.0	FLYWHEEL COMP., G200FA	1.000	ST	ARTICLE ONLY AVAILABLE AT KNA
12	8.753-629.0	FAN, COOLING, G200FA	1.000	ST	ARTICLE ONLY AVAILABLE AT KNA
13	8.753-630.0	PULLEY, STARTER, G200FA	1.000	ST	ARTICLE ONLY AVAILABLE AT KNA
14	8.753-631.0	NUT, SPECIAL, G200FA	1.000	ST	ARTICLE ONLY AVAILABLE AT KNA
15	8.753-632.0	CLIP, ONE WAY VALVE, G200FA	1.000	ST	ARTICLE ONLY AVAILABLE AT KNA
16	8.753-633.0	CONTROL ASSY, G200FA	1.000	ST	ARTICLE ONLY AVAILABLE AT KNA
17	8.753-634.0	SPRING, GOVERNOR, G200FA	1.000	ST	ARTICLE ONLY AVAILABLE AT KNA
18	8.753-635.0	BOLT, GOVERNOR ARM, M6 X 21, G200FA	1.000	ST	ARTICLE ONLY AVAILABLE AT KNA
19	8.753-636.0	NUT, FLANGE, G200FA	1.000	ST	ARTICLE ONLY AVAILABLE AT KNA
20	8.753-637.0	ARM, GOVERNOR, G200FA	1.000	ST	ARTICLE ONLY AVAILABLE AT KNA
21	8.753-638.0	AIR CLEANER ASSY, G200FA	1.000	ST	ARTICLE ONLY AVAILABLE AT KNA
22	8.753-639.0	ELEMENT ASSY, AIR CLEANER, G200FA	1.000	ST	ARTICLE ONLY AVAILABLE AT KNA
23	8.753-640.0	MUFFLER ASSY, G200FA	1.000	ST	ARTICLE ONLY AVAILABLE AT KNA
24	8.753-641.0	GASKET, MUFFLER, G200FA	1.000	ST	ARTICLE ONLY AVAILABLE AT KNA
25	8.753-642.0	CAP COMP., FUEL FILLER, G200FA	1.000	ST	ARTICLE ONLY AVAILABLE AT KNA

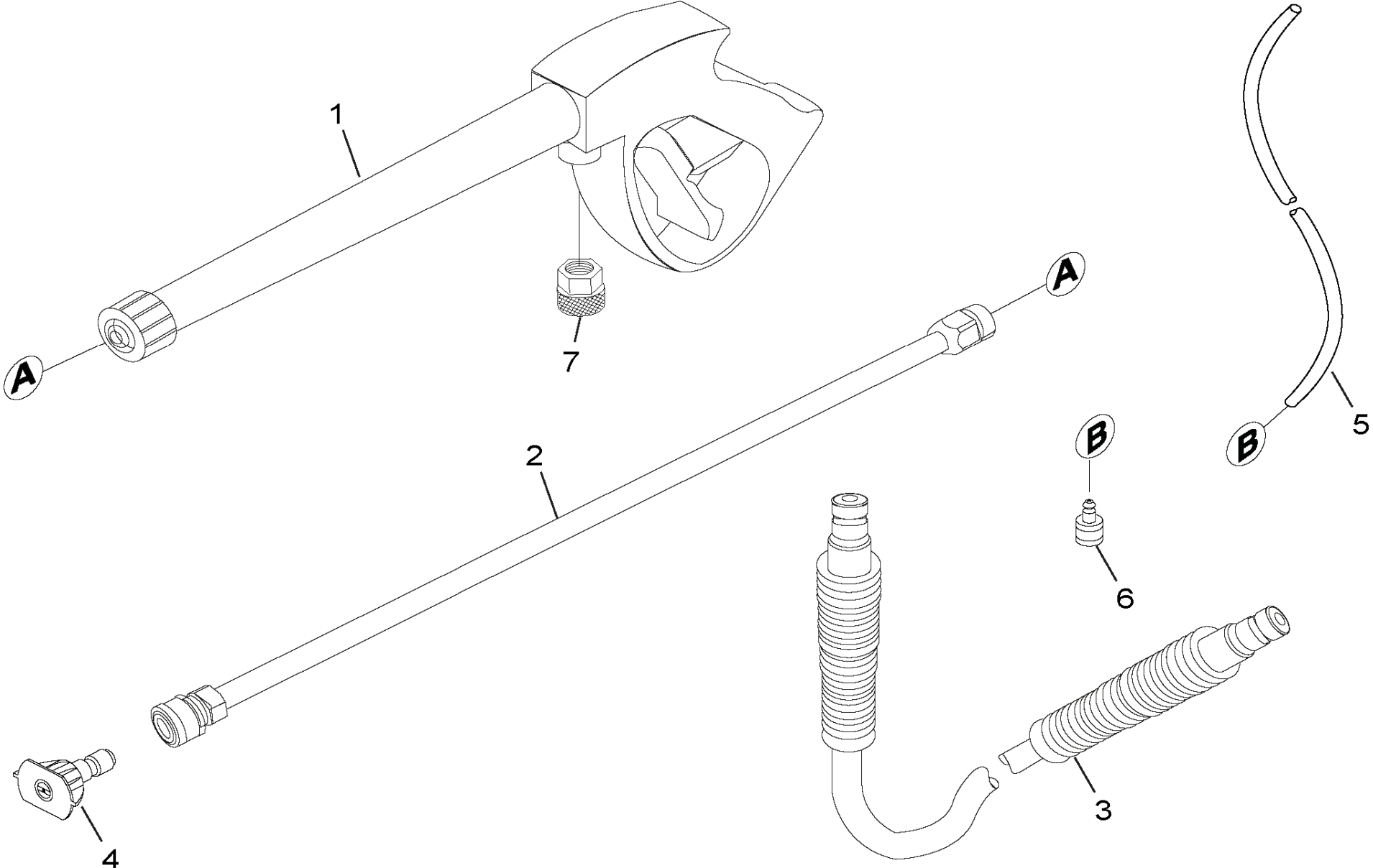
31 MOTOR

Pos	Material #	Name	Qty.	Unit	Footnote text
26	8.753-643.0	GAS VALVE, FUEL TANK, G200FA	1.000	ST	ARTICLE ONLY AVAILABLE AT KNA
27	8.753-644.0	WASHER, RUBBER, G200FA	2.000	ST	ARTICLE ONLY AVAILABLE AT KNA
28	8.753-645.0	TUBE, FUEL, G200FA	1.000	ST	ARTICLE ONLY AVAILABLE AT KNA
29	8.753-647.0	BOLT, FLANGE, 6 X 25, G200FA	1.000	ST	ARTICLE ONLY AVAILABLE AT KNA
30	8.753-648.0	TANK COMP., FUEL, G200FA	1.000	ST	ARTICLE ONLY AVAILABLE AT KNA
31	8.753-649.0	JOINT ASSY, FUEL TANK, G200FA	1.000	ST	ARTICLE ONLY AVAILABLE AT KNA
32	8.753-650.0	LOOP, TUBE, G200FA	2.000	ST	ARTICLE ONLY AVAILABLE AT KNA
33	8.753-651.0	CARBON CANNISTER ASSY, G200FA	1.000	ST	ARTICLE ONLY AVAILABLE AT KNA
34	8.753-652.0	PIPE, G200FA	1.000	ST	ARTICLE ONLY AVAILABLE AT KNA
35	8.753-653.0	LOOP, TUBE, G200FA	1.000	ST	ARTICLE ONLY AVAILABLE AT KNA
36	8.753-654.0	PIPE, G200FA	1.000	ST	ARTICLE ONLY AVAILABLE AT KNA



32 TRANSMISSION

Pos	Material #	Name	Qty.	Unit
1	9.165-355.0	GROOVED BALL BEARING	1.000	ST
2	9.135-018.0	Swash Plate Horizontal-Machined	1.000	ST
3	9.165-356.0	BALL BEARING NO. 6207	1.000	ST
4	9.177-314.0	Radial Seal, 35x52x7	1.000	ST
5	9.135-016.0	Oil Housing Vertical Machined	1.000	ST



40 ACCESSORIES

Pos	Material #	Name	Qty.	Unit	Footnote text
1	8.751-383.0	GUN, BIT 105, 3200PSI, W/SS SEAT	1.000	ST	ARTICLE ONLY AVAILABLE AT KNA
2	9.112-533.0	Lance-AL Quick Connect-Male 3000 psi	1.000	ST	ARTICLE ONLY AVAILABLE AT KNA
3	8.753-422.0	HOSE, HP DN6 25FT, 3600PSI QD	1.000	ST	ARTICLE ONLY AVAILABLE AT KNA
4	9.104-024.0	QUICK CONNECT NOZZLE KIT (030)	1.000	ST	ARTICLE ONLY AVAILABLE AT KNA
5	6.388-216.0	Hose DN 5	1.000	M	ARTICLE ONLY AVAILABLE AT KNA
6	5.731-652.0	Filter with weight	1.000	ST	ARTICLE ONLY AVAILABLE AT KNA
7	9.154-045.0	Quick Connect	1.000	ST	ARTICLE ONLY AVAILABLE AT KNA